
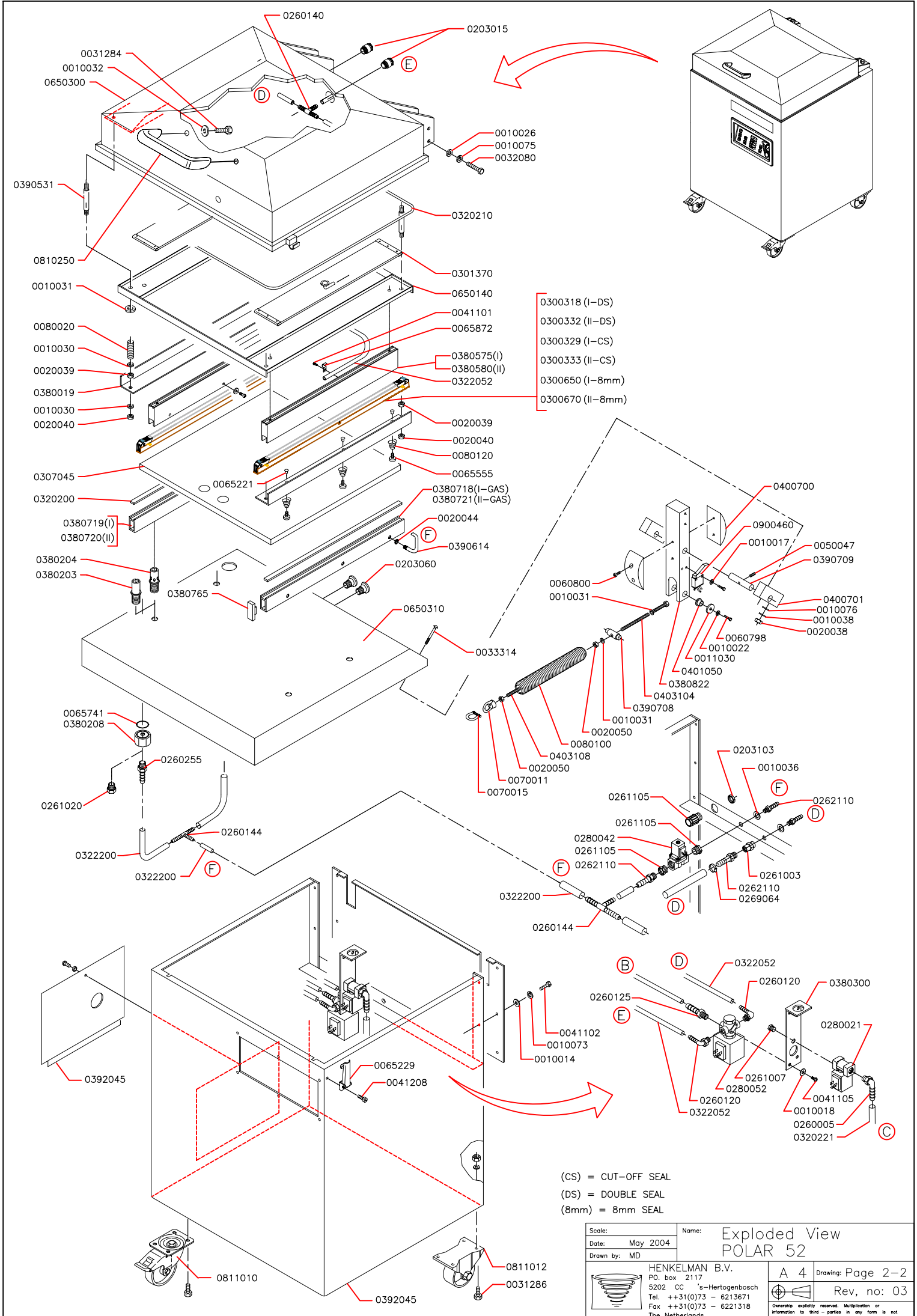


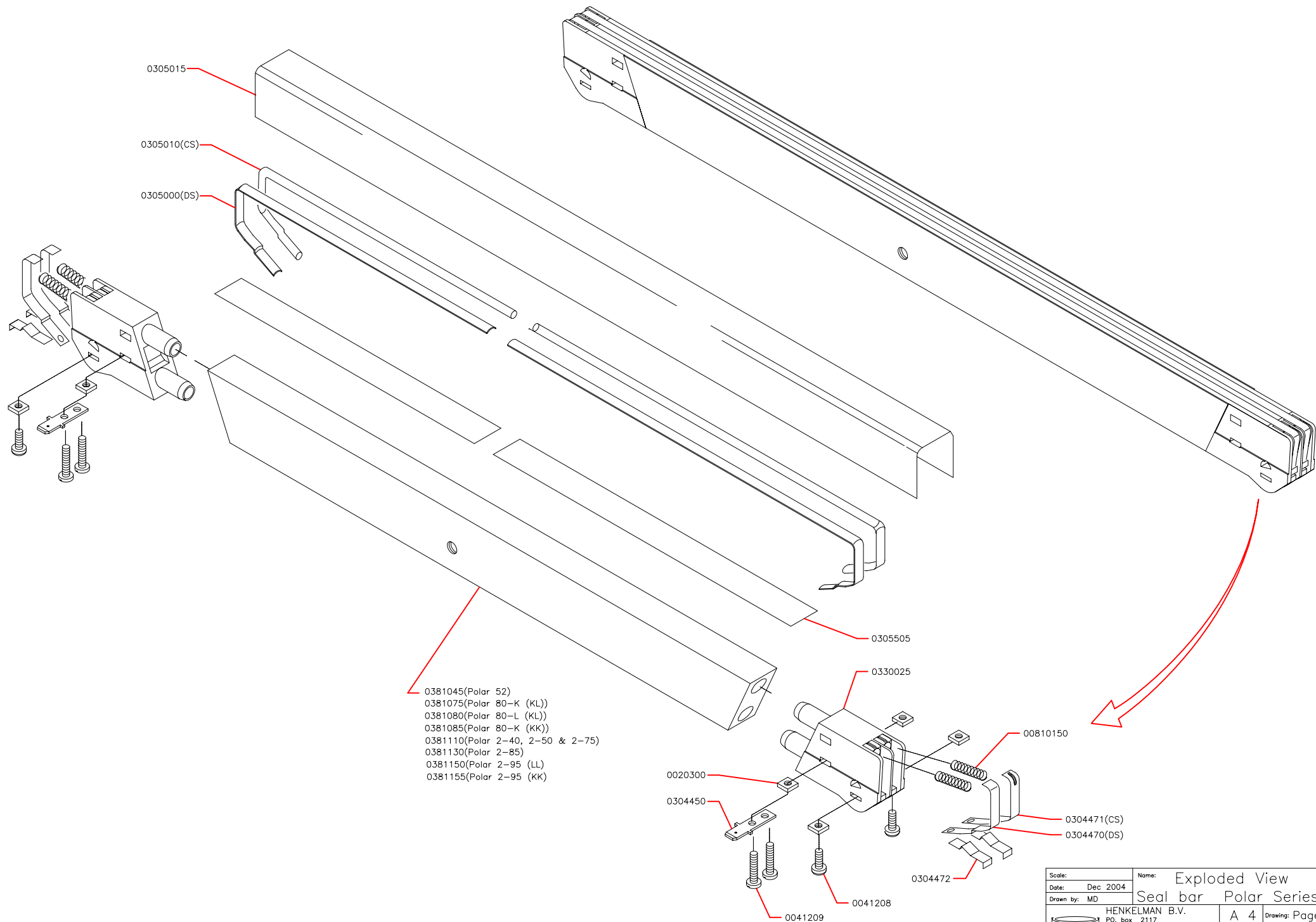
Scale:	Name:	Exploded View	
Date: May 2004	POLAR 52		
Drawn by: MD			
	HENKELMAN B.V.		A 4
	P.O. box 2117 5202 CC 's-Hertogenbosch Tel. ++31(0)73 - 6213671 Fax ++31(0)73 - 6221318 The Netherlands		Drawing: Page 1-2 Rev, no: 03
<small>Ownership explicitly reserved. Multiplication or information to third parties in any form is not permitted without written permission of the owner.</small>			



- 0300318 (I-DS)
- 0300332 (II-DS)
- 0300329 (I-CS)
- 0300333 (II-CS)
- 0300650 (I-8mm)
- 0300670 (II-8mm)

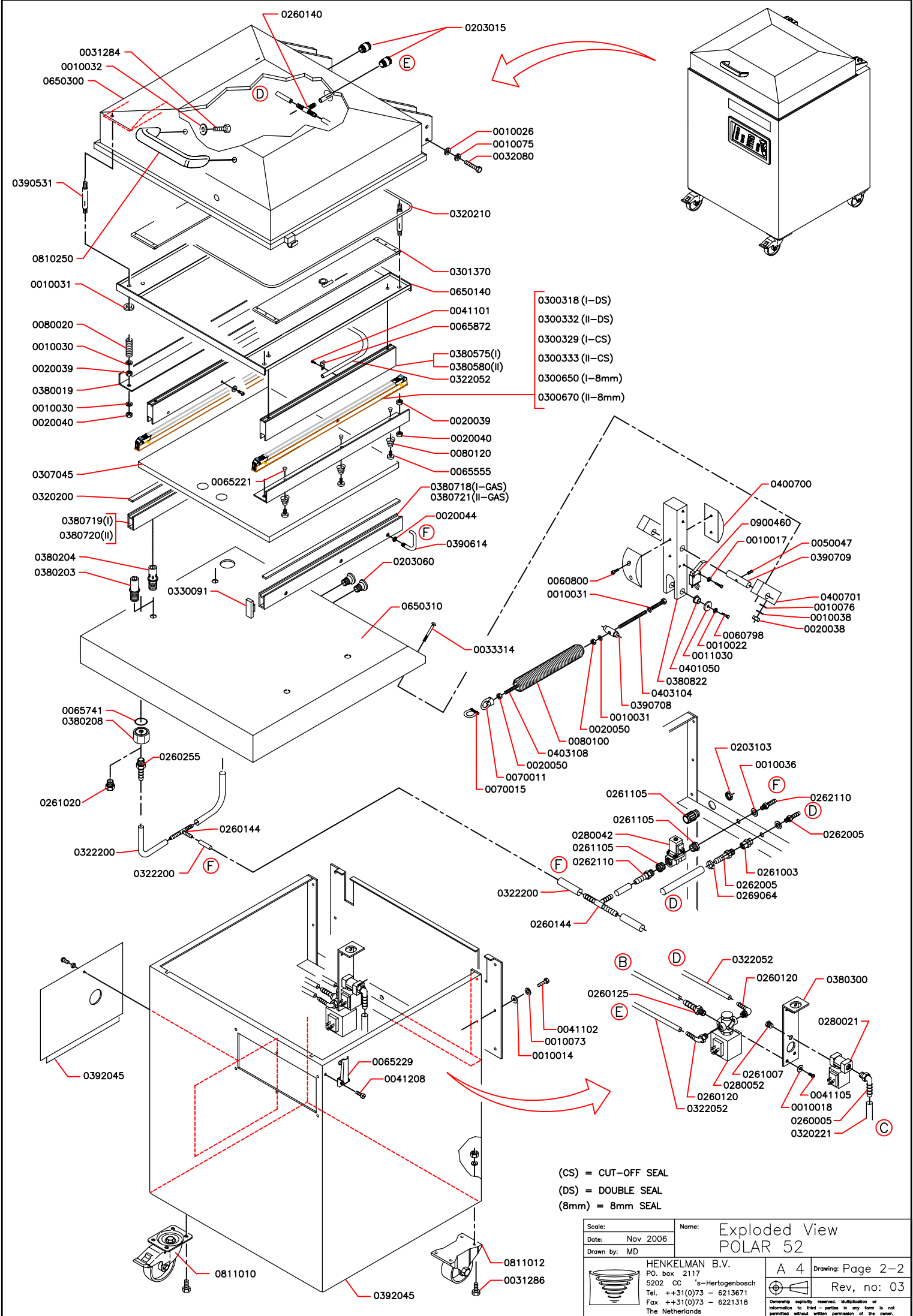
(CS) = CUT-OFF SEAL
 (DS) = DOUBLE SEAL
 (8mm) = 8mm SEAL

Scale:	Name:	Exploded View	
Date: May 2004		POLAR 52	
Drawn by: MD			
HENKELMAN B.V. P.O. box 2117 5202 CC 's-Hertogenbosch Tel. ++31(0)73 - 6213671 Fax ++31(0)73 - 6221318 The Netherlands		A 4	Drawing: Page 2-2
		Rev. no: 03	
<small>Ownership explicitly reserved. Multiplication or information to third parties in any form is not permitted without written permission of the owner.</small>			



- 0381045(Polar 52)
- 0381075(Polar 80-K (KL))
- 0381080(Polar 80-L (KL))
- 0381085(Polar 80-K (KK))
- 0381110(Polar 2-40, 2-50 & 2-75)
- 0381130(Polar 2-85)
- 0381150(Polar 2-95 (LL))
- 0381155(Polar 2-95 (KK))

Scale:	Name:	Exploded View	
Date:	Dec 2004	Seal bar Polar Series	
Drawn by:	MD	Rev. 01	
HENKELMAN B.V. P.O. box 2117 5202 CC 's-Hertogenbosch Tel. ++31(0)73 - 6213671 Fax ++31(0)73 - 6221318 The Netherlands		A 4 Drawing: Page 1-1	
		<small>Ownership explicitly reserved. Multiplication or information to third parties in any form is not permitted without written permission of the owner.</small>	

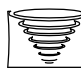


0260140
0031284
0010032
0650300
0390531
0810250
0010031
0080020
0010030
0020039
0380019
0010030
0020040
0307045
0320200
0380719(I)
0380720(II)
0380204
0380203
0065741
0380208
0260255
0261020
0322200
0322200
0260144
0260140
0322200
0390531
0010026
0010075
0032080
0320210
0301370
0650140
0041101
0065872
0380575(I)
0380580(II)
0322052
0020039
0020040
0080120
0065555
0380718(I-GAS)
0380721(II-GAS)
0020044
0390614
0203060
0650310
0033314

0300318 (I-DS)
0300332 (II-DS)
0300329 (I-CS)
0300333 (II-CS)
0300650 (I-8mm)
0300670 (II-8mm)

0400700
0900460
0010017
0050047
0390709
0400701
0010076
0010038
0020038
0060800
0010031
0010022
0011030
0401050
0380822
0403104
0390708
0010031
0020050
0080100
0403108
0020050
0070011
0070015
0203103
0010036
0261105
0261105
0261105
0262110
0262110
0262103
0262005
0269064
0262110
0262005
0262110
0262110
0322200
0260144
0260125
0260120
0380300
0322052
0280021
0280052
0261007
0260120
0322052
0041105
0010018
0260005
0320221

(CS) = CUT-OFF SEAL
(DS) = DOUBLE SEAL
(8mm) = 8mm SEAL

Scale:	Name:	Exploded View	
Date: Nov 2006	POLAR 52		
Drawn by: MD			
 HENKELMAN B.V. P.O. box 2117 5202 CC 's-Hertogenbosch Tel. ++31(0)73 - 6213671 Fax ++31(0)73 - 6221318 The Netherlands	A 4	Drawing: Page 2-2	
	Rev. no: 03		
<small>Ownership explicitly reserved. Multiplication or information to third parties in any form is not permitted without written permission of the owner.</small>			