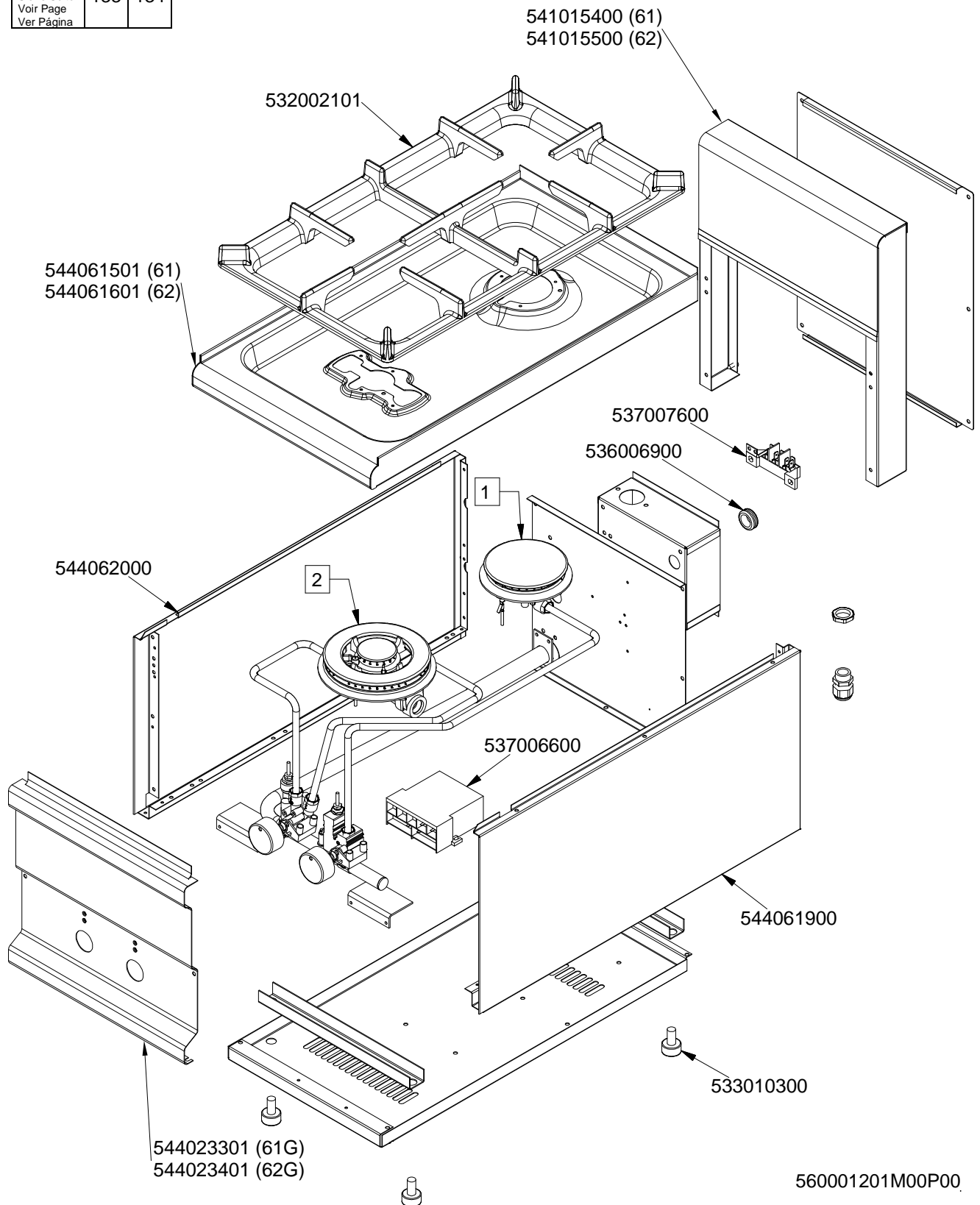


MAGIC SNACK 60

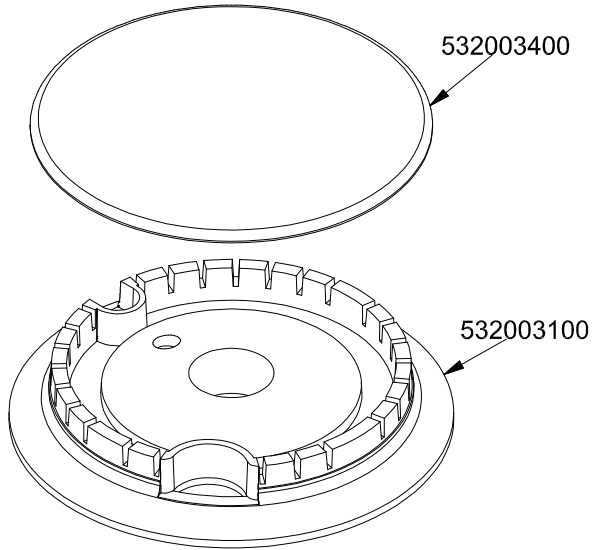
GAS / GAS / GAS / GAZ

PC-61GF PC-62GF N°≥0303

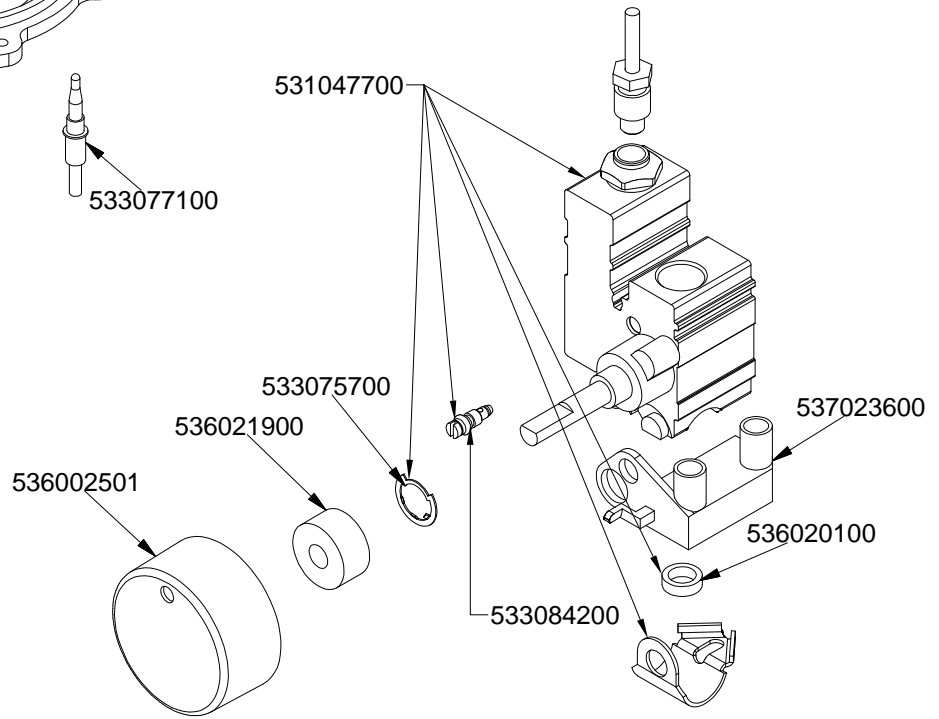
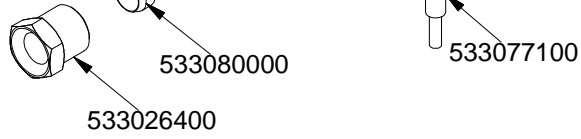
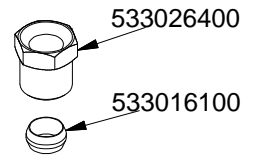
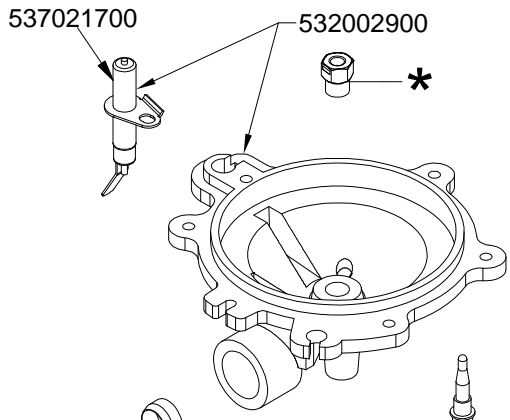
	1	2
Vedi Pagina See Page Siehe Seite Voir Page Ver Página	133	134



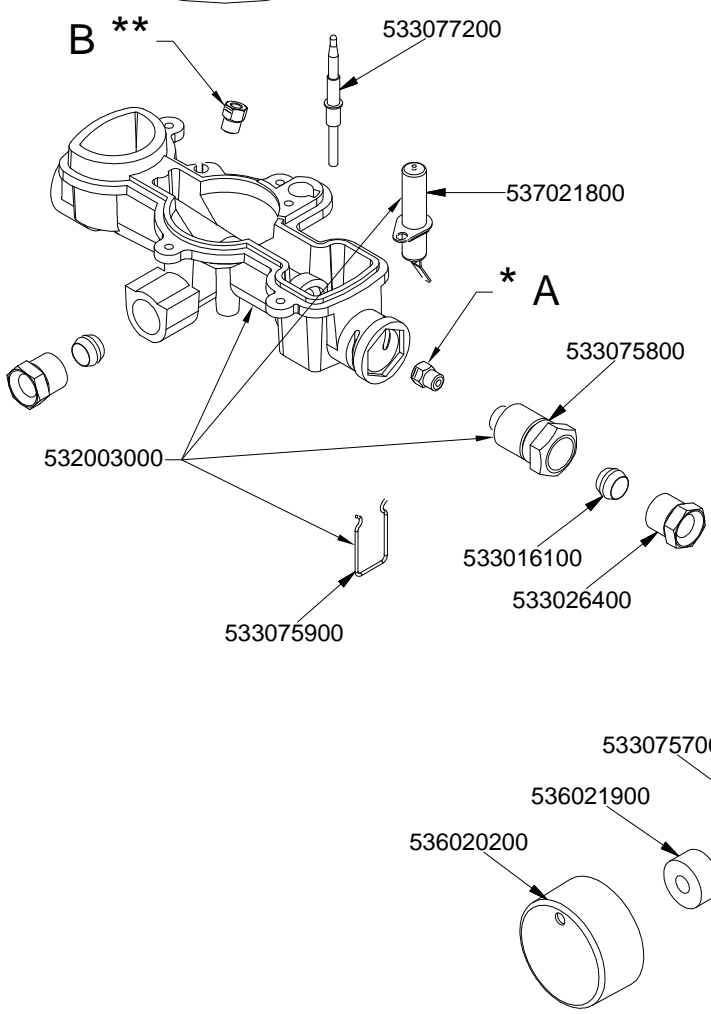
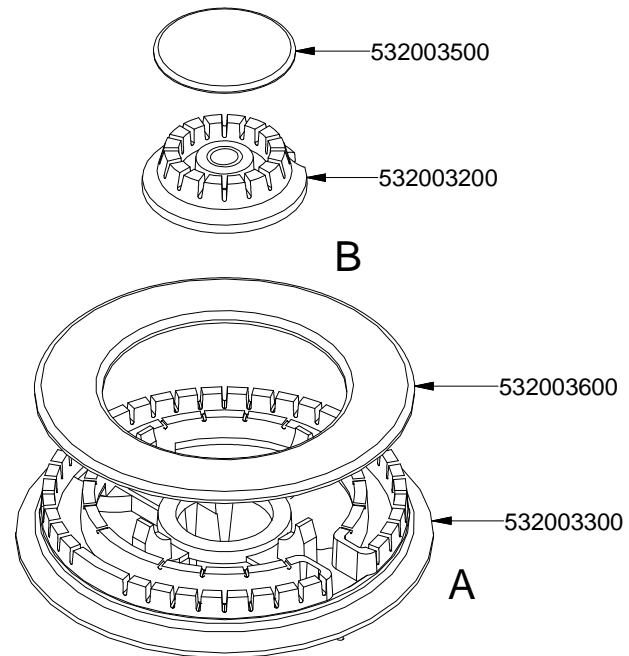
PC-G R N



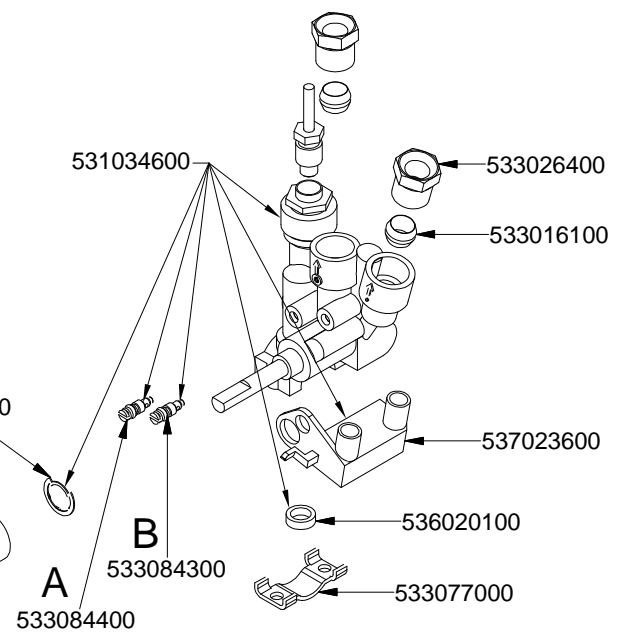
	*
G30-28+30mbar G31- 37mbar	533080600
G30- 50mbar	533083700
G20- 20mbar G25- 25mbar	533080700
G20- 20mbar DE-AT	533080700
G25- 20mbar	533080800
G25- 25mbar NL	533080900
G20- 25mbar	



PC-G WOK



	*	**
G30-28+30mbar G31- 37mbar	533081000	533082200
G30- 50mbar	533082300	533083000
G20- 20mbar G25- 25mbar	533081200	533081100
G20- DE-AT	533081200	533081100
G25- 20mbar	533081400	533081300
G25- NL	533081500	533081300



560025101M00P00

Page	Pos	Code	Description
001		541015500	NEUTRAL SPACER 62
001		532002101	GRILL 2 BURNERS 292X507 (60)
001		544061601	UPPER PLATE PC-62G CF-62G (NEW MOD)
001		537007600	TERMINAL BLOCK SINGLEPHASE 40A
001		536006900	RUBBER CABLE GUIDE D.25MM.HOLE 16MM
001		544062000	LEFT SIDE PANEL 60 LINE
001		537006600	IGNITION UNIT 4 FLAMES V230
001		544061900	RIGHT SIDE PANEL 60 LINE
001		533010300	ADJUSTABLE FOOT M10*20 D.23
001		544023401	CONTROL PANEL PC-2G
002		532003400	QUICK BURNER COVER
002		532003100	QUICK BURNER RING 640
002		537021700	PLUG IGNITION FOR QUICK BURNER
002		532002900	QUICK BURNER BODY 740
002		533026400	ELBOW FOR BICONE D.8 M13X1
002		533016100	BICONE D.8
002		531047700	TAP WITH VALVE 699 BY PASS § 40
002		533077100	THERMOCOUPLE 600 M8*1 QUICK BURNER
002		533080000	BICONE § 8
002		533075700	
002		536021900	MAN.EXTENSION MICRO DRIVING TAP 60
002		536002501	COCK KNOB SNACK PC
002		537023600	MICRO-SWITCH FOR COCK 250V 0,0054
002		536020100	TAP GASKET 699
002		533084200	BY PASS COCK §40 699
002		533080600	NOZZLE §88 CH7*9,3 G30-30 R
002		533083700	NOZZLE §80 CH7*22 G30-50 R
002		533080700	NOZZLE §134 CH7*9,3 G20-20 R
002		533080800	NOZZLE §143 CH7*9,3 G25-20 R
002		533080900	NOZZLE §134A CH7*9,3 G25-25NL R
003		532003500	CENTRAL BURNER COVER WOK
003		532003200	CENTRAL BURNER RING WOK 647
003		532003600	EXTERNAL BURNER COVER WOK
003		532003300	EXTERNAL BURNER RING WOK
003		533077200	THERMOCOUPLE 600 M8*1 QUICK BURNER
003		537021800	PLUG IGNITION FOR WOK-BURNER
003		533075800	FITTING FOR NOZZLE-SUPPORT M12X1,25
003		532003000	BURNER BODY WOK 743
003		533016100	BICONE D.8
003		533026400	ELBOW FOR BICONE D.8 M13X1
003		533075900	
003		531034600	TAP WITH VALVE 2OUT009 BYPASS 32/57
003		533075700	
003		537023600	MICRO-SWITCH FOR COCK 250V 0,0054
003		536021900	MAN.EXTENSION MICRO DRIVING TAP 60
003		536020200	COCK KNOB SNACK 2. PC
003		536020100	TAP GASKET 699
003		533084300	BY PASS COCK §32 009
003		533077000	TAP BRIDLE 2 OUT 009
003		533084400	BY PASS COCK §57 009
003		533081000	NOZZLE §84 CH7*9,3 G30-30 W EST.

Page	Pos	Code	Description
003		533082200	NOZZLE §51 CH7*11 G30-30 W INT.
003		533082300	NOZZLE §76 CH7*11 G30-50 W.EXT.
003		533083000	NOZZLE §51 CH7*20 G30-50 W INT.
003		533081200	NOZZLE §130 CH7*9,3 G20-20 W EST.
003		533081100	NOZZLE §80 CH7*9,3 G20-20 W INT.
003		533081400	NOZZLE §142 CH7*9,3 G25-20 W EST.
003		533081300	NOZZLE §125 G20
003		533081500	NOZZLE §135 CH7*9,3 G25-25NL W EST.