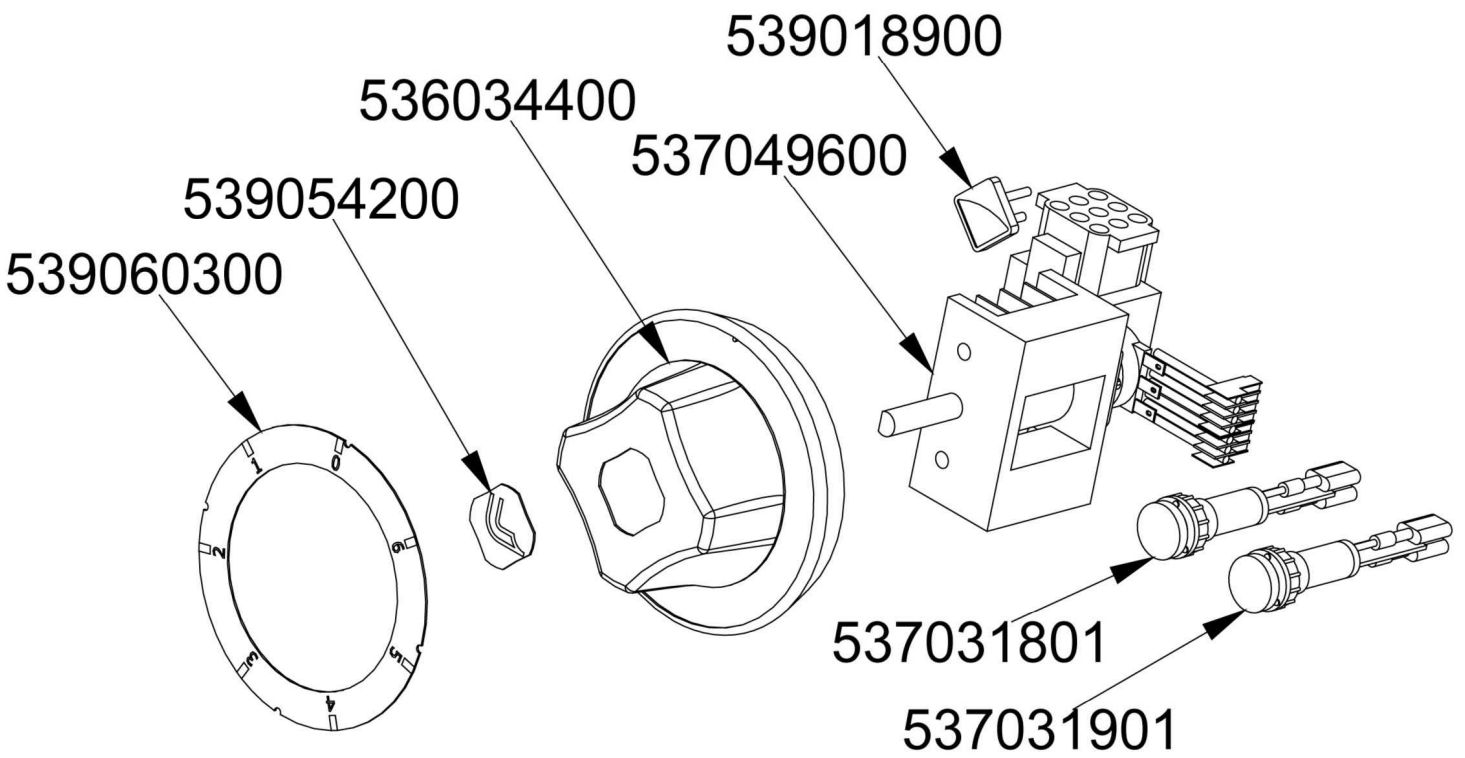
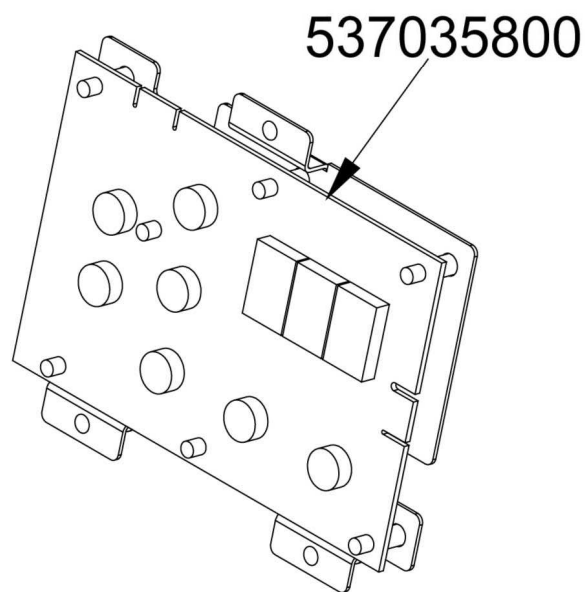


560086901M00P00

(ET)



(ETD)



Page	Pos	Code	Description
001		541272001	UPPER PLAN DROP IN PCID-68ET V
001		537048600	PLATE WITH INDUCTORS S70
001		537045700	GENERATOR PCI-78 10KW 400V3 (C
001		537027400	TERMINAL BLOCK THREEPHASE 40A
001		531034800	NET FILTER FOR KSK
002		539018900	INDEX FOR KNOB W/RED SIGN
002		536034400	KNOB §77 4P. §06*4,6 C/M
002		537049600	COMPLETE CONTROL FOR INDUCTORS
002		539054200	STAMP Ø20,5 CR."L" LOTUS R.
002		539060300	RED ADESIVE DISK FOR PCC/PCI-E
002		537031801	GREEN WARNING LIGHT 12V E FASTON
002		537031901	RED WARNING LIGHT PCI 12V E FASTON
002		537035800	TOUCH ELECTRONIC BOARD FOR PCI