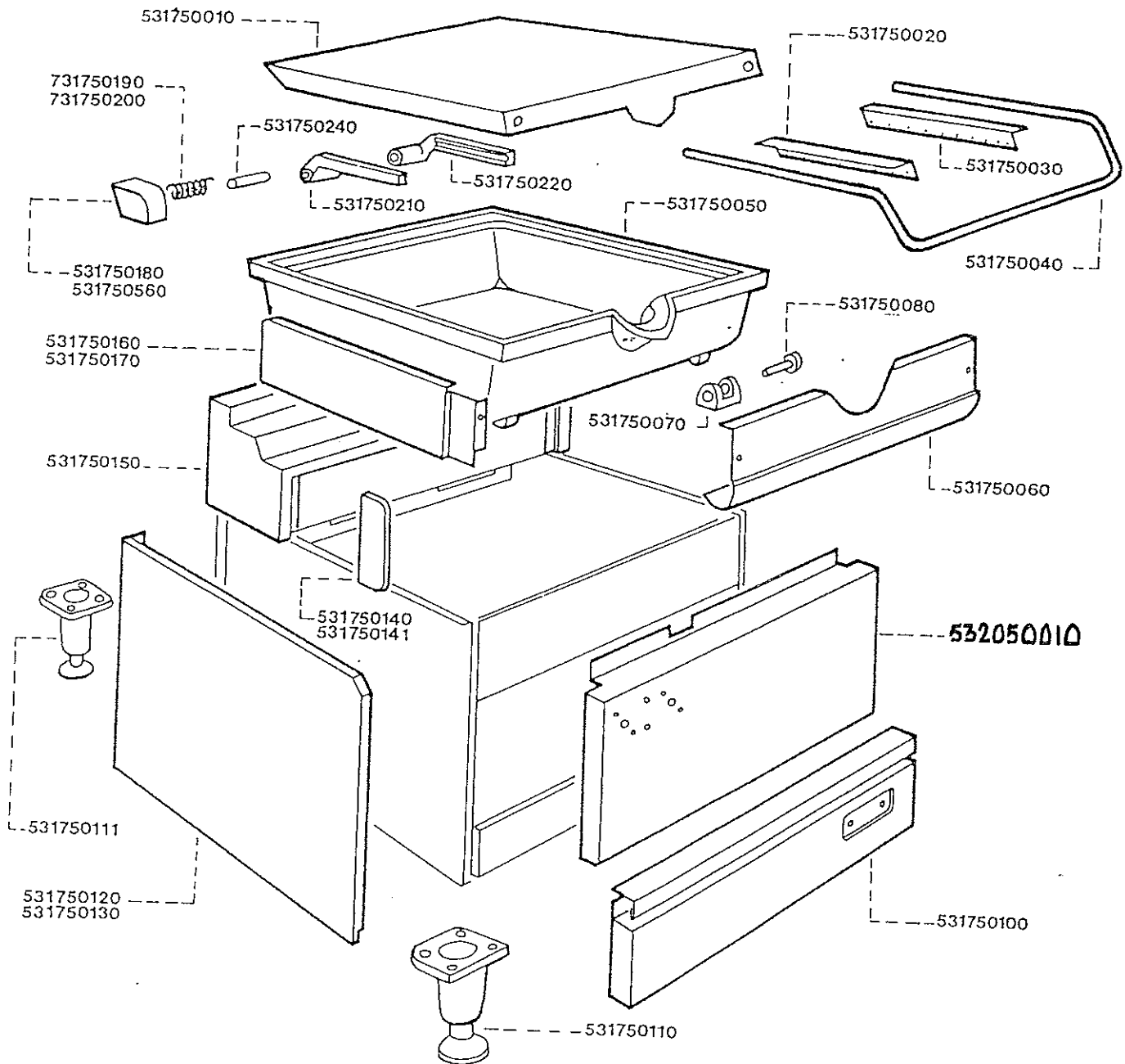


E1965 BRATT PAN

BRATT PAN FITMENTS



Code No.	Description
6H 531750010	Pan Lid.
9C 531750020	Lid Hinge Bracket - LH.
9C 531750030	Lid Hinge Bracket - RH.
10G 531750040	Lid Handle.
11N 531750050	Pan.
1D 531750060	Pan Facia Panel.
9C 531750070	Pan Hinge Casting.
6B 531750080	Pan Hinge Pin.
7F	Front Panel.
12E 531750100	Bottom Front Panel.
9B 531750110	Adjustable Leg c/w foot - Front.
9B 531750111	Adjustable Leg c/w foot - Rear.
2F 531750120	Outer Side Panel - LH.

Code No.	Description
2F 531750130	Outer Side Panel - RH.
12C 531750140	End Cheek - LH.
12C 531750141	End Cheek - RH.
10G 531750150	Rear Hob Rail.
12D 531750160	Pan Side Panel - LH.
12D 531750170	Pan Side Panel - RH.
3E 531750180	Lid Hinge Block - LH.
3E 531750560	Lid Hinge Block - RH.
8B 731750190	Lid Hinge Spring - LH.
8B 731750200	Lid Hinge Spring - RH.
10E 531750210	Lid Hinge Arm - LH.
10E 531750220	Lid Hinge Arm - RH.
3C 531750240	Lid Hinge Bar

Sheet Reference Number

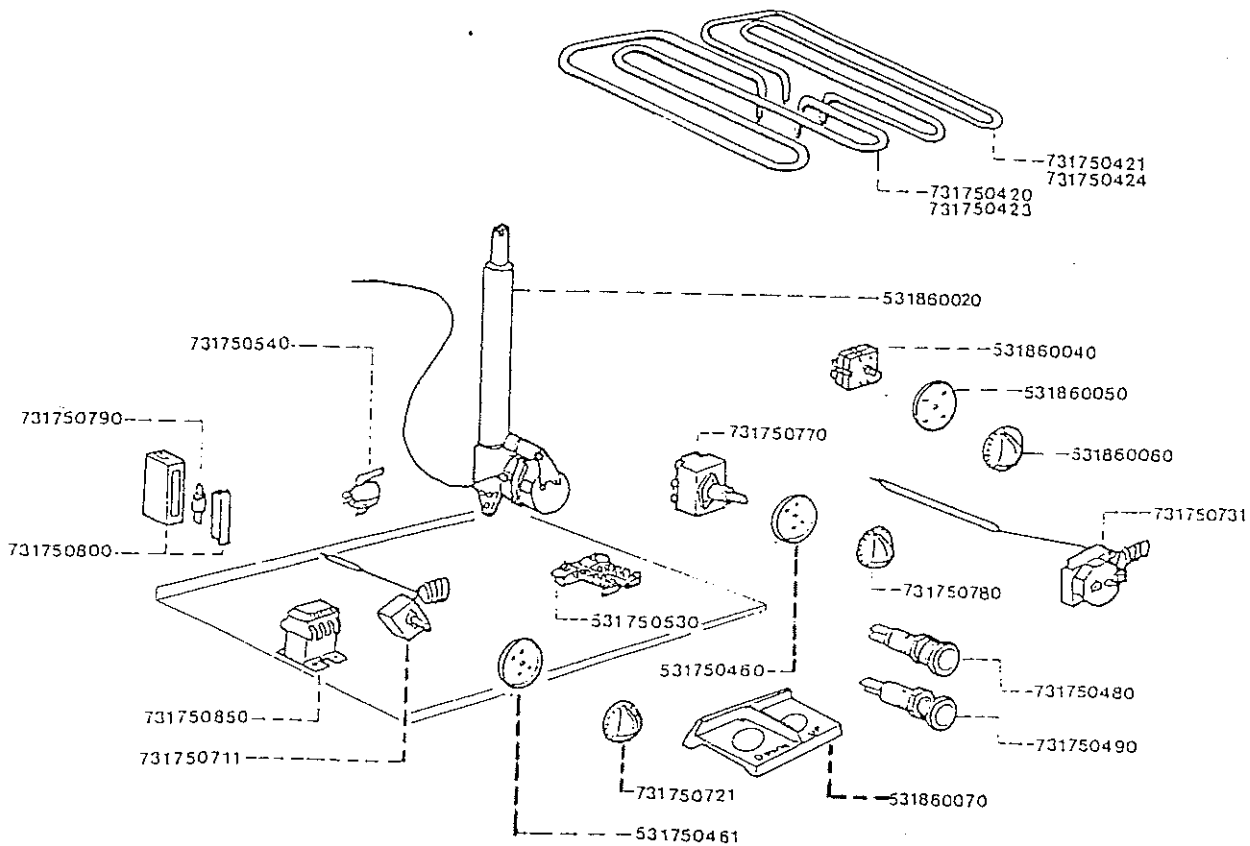
E1962/0984/001

Falcon Catering Equipment

Commercial and institutional
catering equipment



Falcon Catering Equipment is a
business name of
Glynwed Consumer & Building Products Ltd
a member of the
Glynwed International plc
group of companies



Code No.	Description
4P 531860020	Linear Power Pack
2E 531860040	Changeover Switch
10A 531860050	Changeover Switch Bezel
6B 531860060	Changeover Switch Knob
10D 531860070	Foot Plate/BELLOWS.
6B 531750460	Simmerstat Bezel
6B 531750461	Operating Thermostat Bezel
9B 531750530	Terminal Block
7F 731750420	Element 240—L.H.
7F 731750421	Element 240—R.H.
7F 731750423	Element 220—L.H.
7F 731750424	Element 220—R.H.
7B 731750480	Indicator Lamp—Amber
7B 731750490	Indicator Lamp—Red
10C 731750540	Microswitch
6E 731750701	Operating Thermostat c/w Knob (not illustrated)
1E 731750711	Operating Thermostat
6B 731750721	Operating Thermostat Knob
3E 731750731	Safety Thermostat
12D 731750760	Simmerstat c/w Knob (not illustrated)
9D 731750770	Simmerstat
6B 731750780	Simmerstat Knob
2C 731750790	Fuse Link—20A
6C 731750800	Fuse Carrier and Base
10G 731750850	Contactors 129A 4U
	531860090 AIR SWITCH (NOT SHOWN)

Sheet Reference Number

E1995/0785/002

Falcon Catering
Equipment
Commercial and institutional
catering equipment



Falcon Catering Equipment is a
business name of
Glynwed Consumer & Building Products Ltd
a member of the
Glynwed International plc
group of companies.