

534009100 N°<0602
534009101 N°>0603

**

537005400
537007900

536011300

531013600

531012401

533017000

533016600

533026400

* 533016100

539018800

539023900

531006700

534002200

539018800

539023800

536013800

539023600

537001700

536024800

536000801

533018100

536017100

539023201

531010001

533084000

533016100

533016201

533010900

533017501

537024500

533083900

533017501

537024400

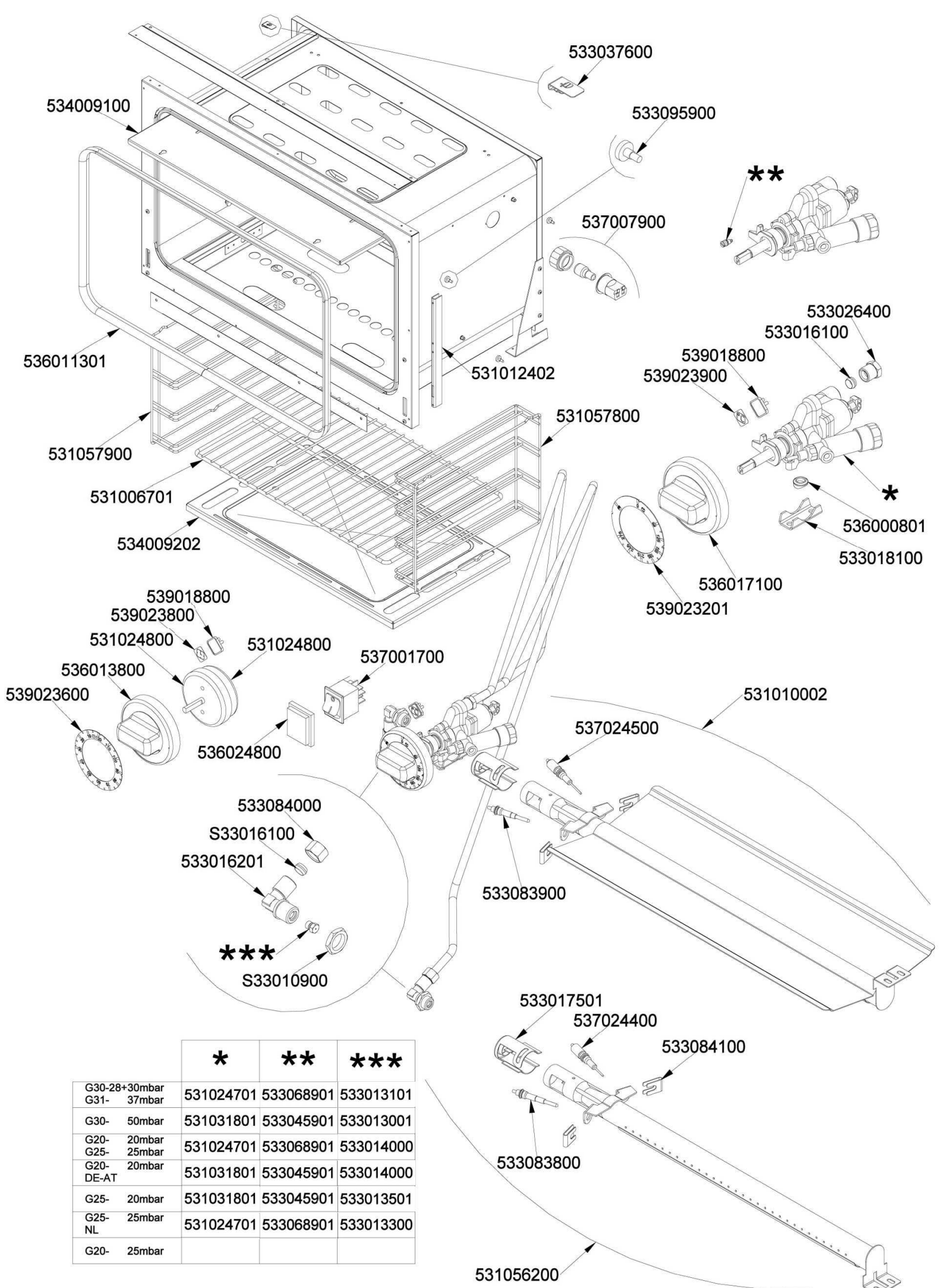
533084100

533083800

531009901

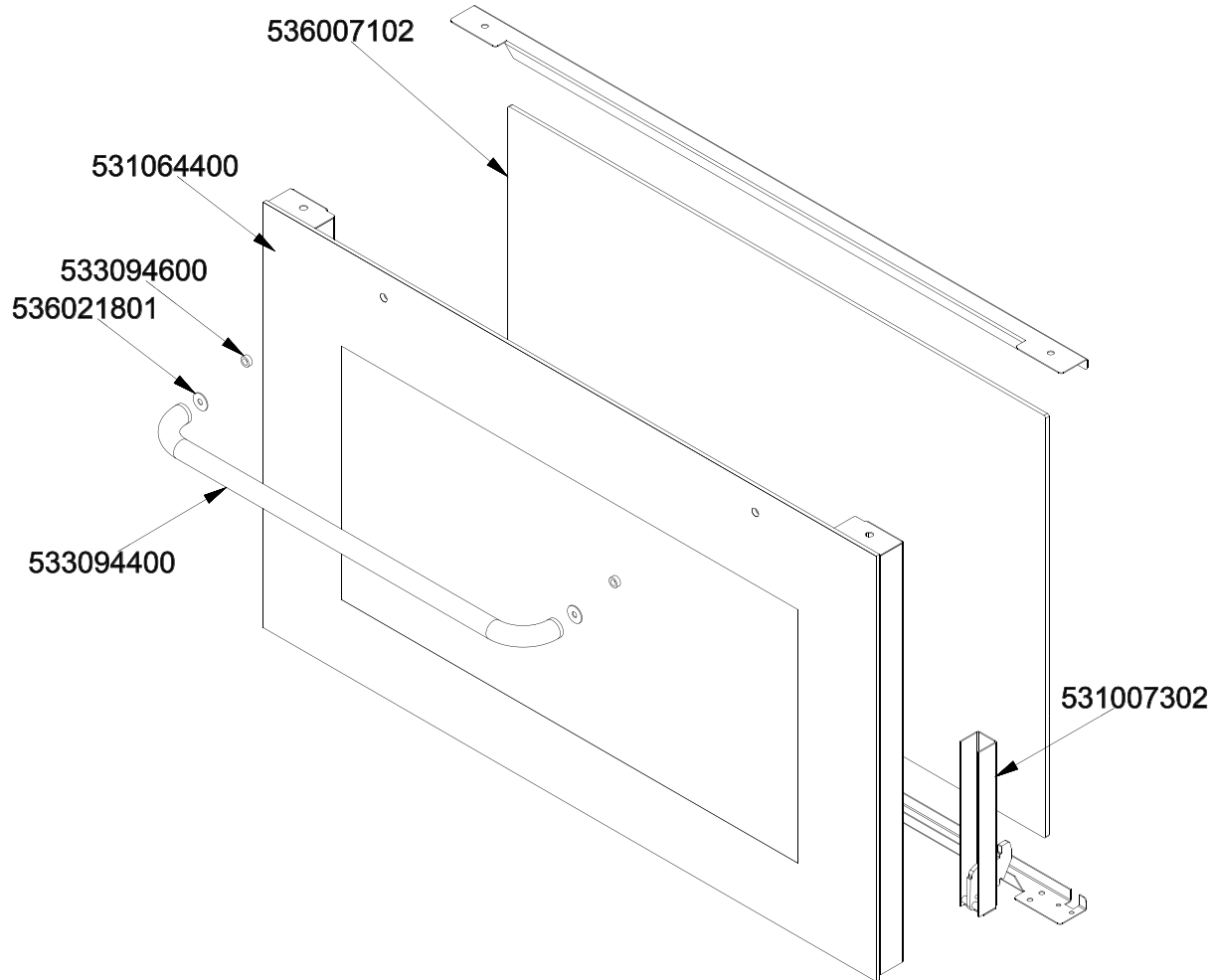
560006901M00P00

	*	**	***
G30-28+30mbar G31- 37mbar	531024701	533068901	533013101
G30- 50mbar	531031801	533045901	533013001
G20- 20mbar G25- 25mbar	531024701	533068901	533014000
G20- 20mbar DE-AT	531031801	533045901	533014000
G25- 20mbar	531031801	533045901	533013501
G25- 25mbar NL	531024701	533068901	533013300
G20- 25mbar			

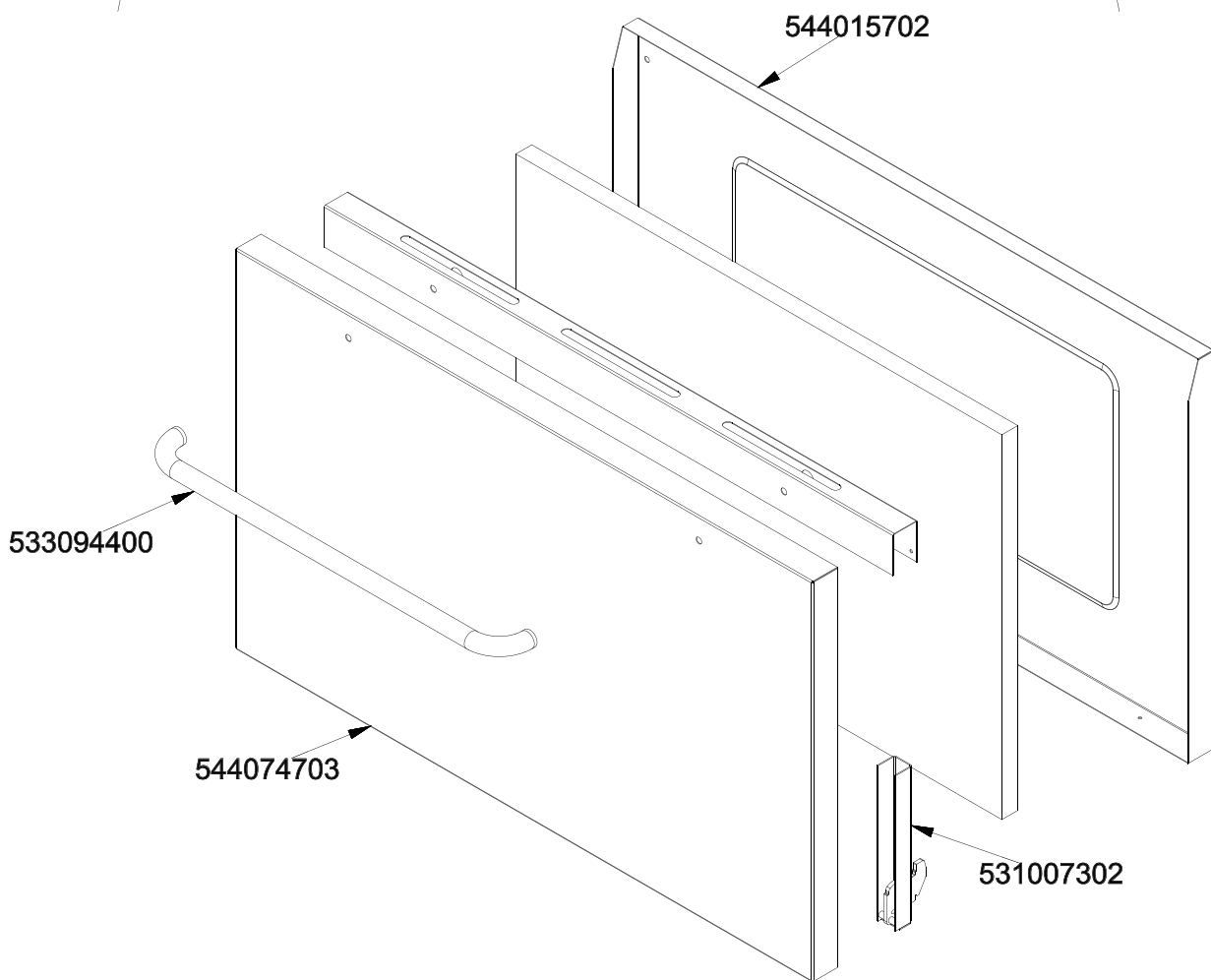


	*	**	***
G30-28+30mbar G31- 37mbar	531024701	533068901	533013101
G30- 50mbar	531031801	533045901	533013001
G20- 20mbar G25- 25mbar	531024701	533068901	533014000
G20- DE-AT	531031801	533045901	533014000
G25- 20mbar	531031801	533045901	533013501
G25- NL	531024701	533068901	533013300
G20- 25mbar			

531009602



531012702



531009601

544015900 N° ≤ 0602
544015901 N° ≥ 0603

536007100 N° ≤ 0602
536007101 N° ≥ 0603

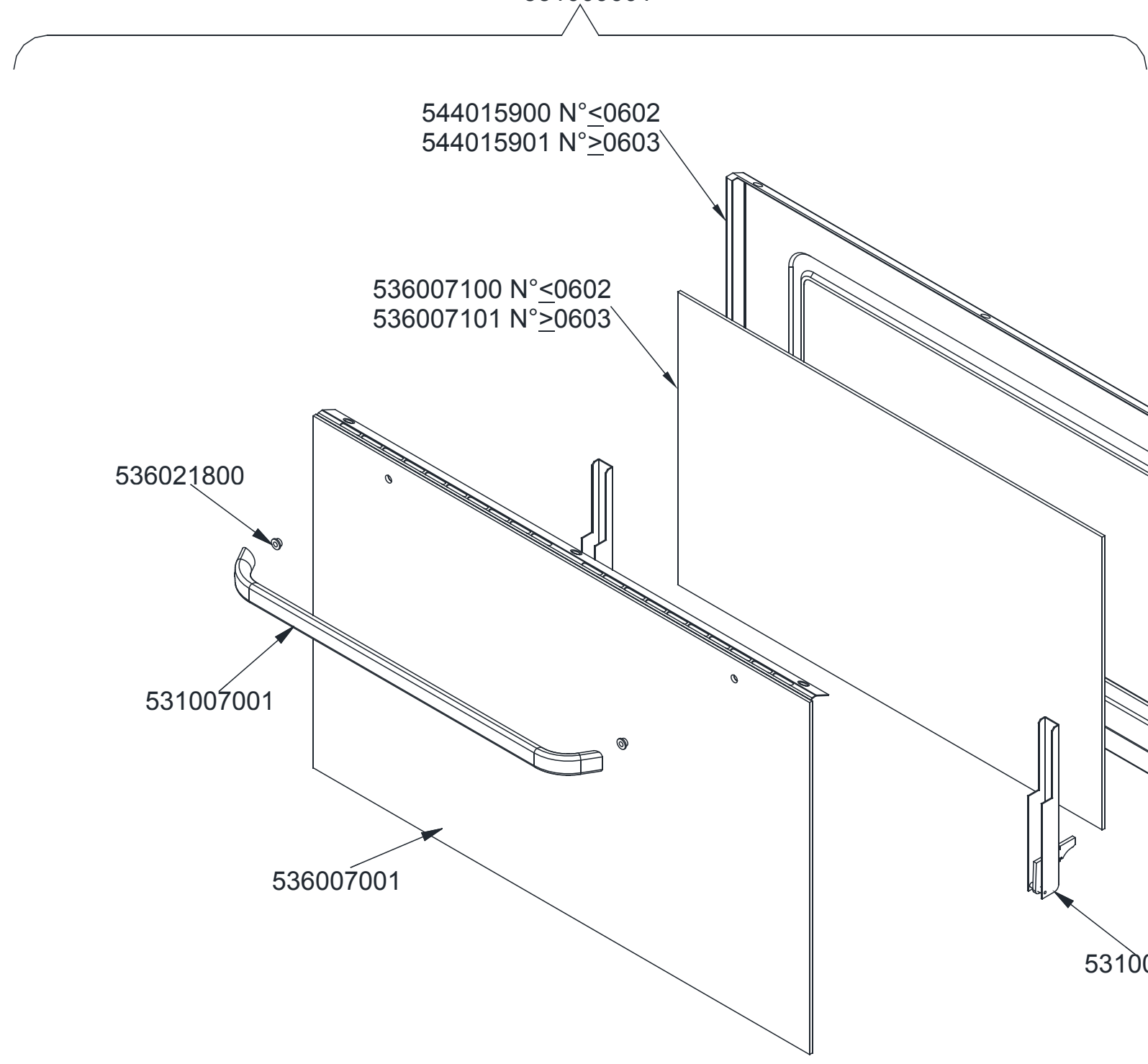
536021800

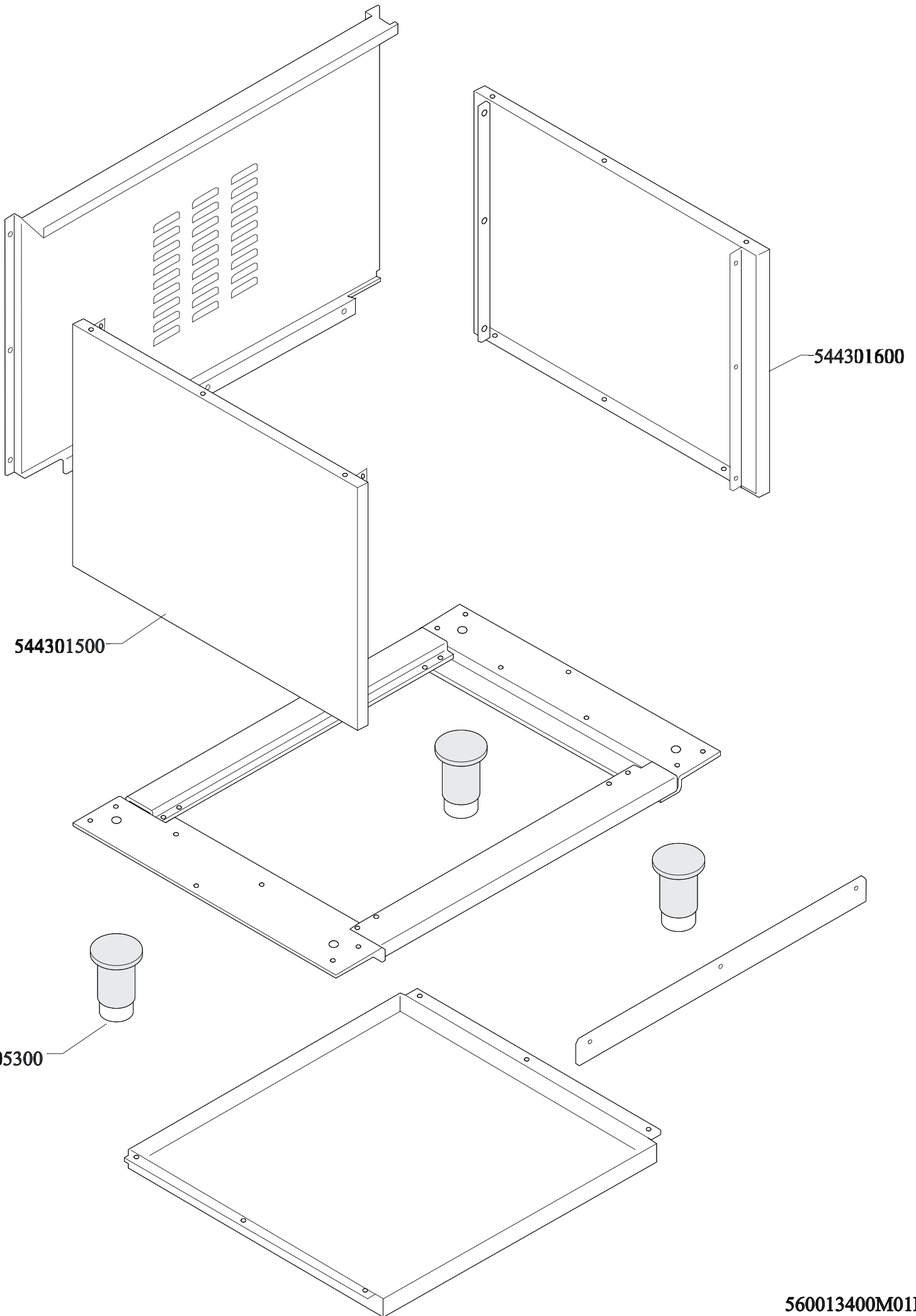
531007001

536007001

531007301

560025300M01P00





	*	**
G30- 28+30mbar G31- 37mbar	533015400	533043400
G30- 50mbar	533015300	533043300
G20- 20mbar G25- 25mbar	533015200	533019400
G25- 20mbar	533030300	533043600
G25- 25mbar NL	533014900	533043500

532001800 ≤ 09040565 (PC)
532001800 ≤ 09040821 (CF)
532006500 ≥ 09040566 (PC)
532006500 ≥ 09040822 (CF)

532001700 ≤ 09040565 (PC)
532001700 ≤ 09040821 (CF)
532006400 ≥ 09040566 (PC)
532006400 ≥ 09040822 (CF)

532006700

532006600

537010300

533011100

547014600(PC)
547002500(CF)

533009800

533053000

532001300

532001400

533053100

533010800

533039300

531025900

* *

533076100

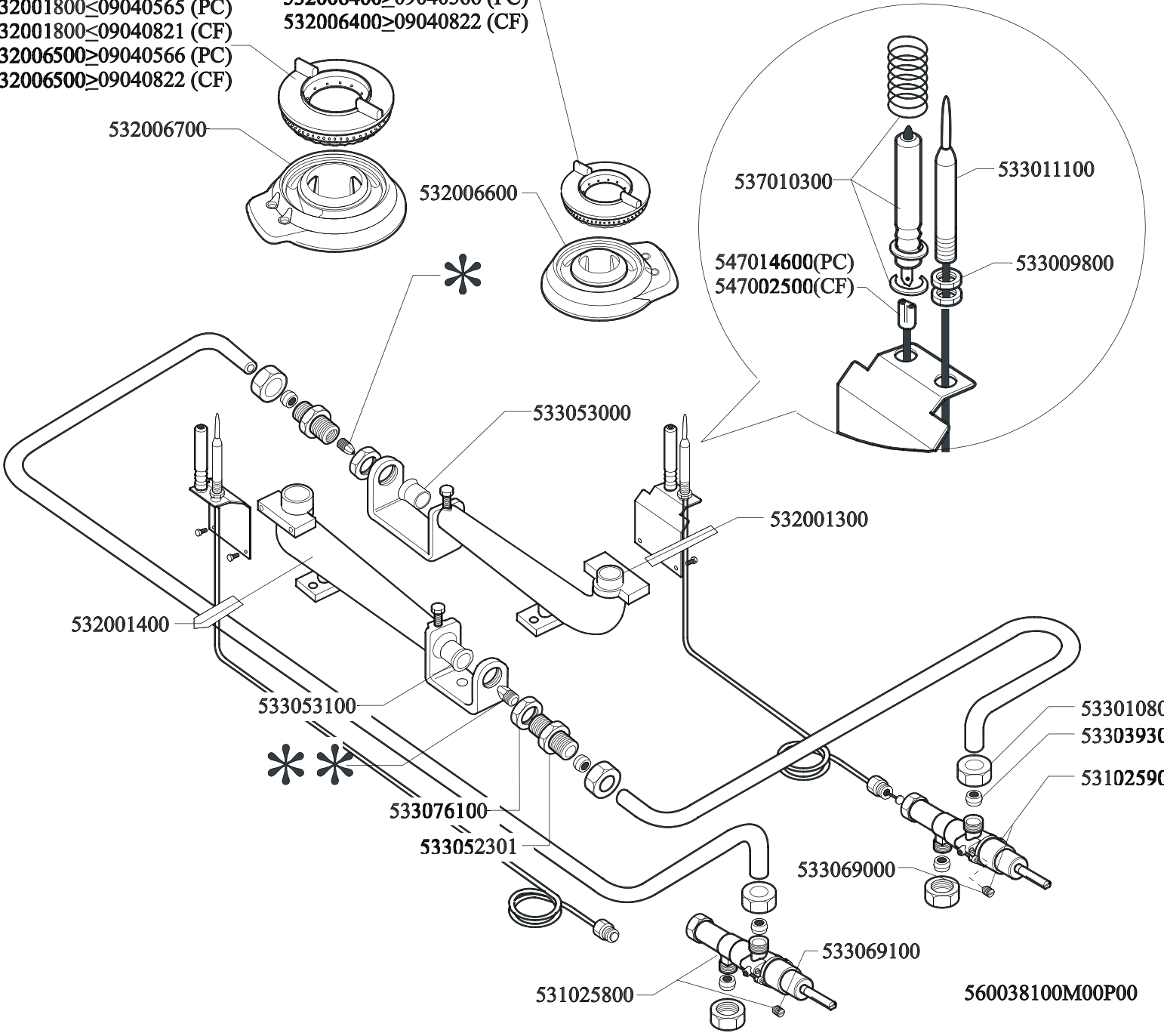
533052301

533069000

531025800

533069100

560038100M00P00



Page	Pos	Code	Description
001		531020300	FLUE GRID 400"S65"
001		541072900	PERFORATED SPACER 8
001		533009200	REDUCTION GRATE FOR 65-70LINES+FO
001		532002300	1 FLAME GRILL 346X274 (70
001		532005901	1 FLAME GRILL 340X270 (65) * RAF
001		544288900	UPPER PLATE PC-8G
001		544263500	RIGHT SIDE S.65
001		544300800	ENAMELLED BURNER DRIP PAN 1/1
001		544498800	BURNERS BASIN OF PC GN1/1 SM.N.RAF
001		544498801	
001		544293800	CONTROL PANEL CF4-8G
001		539018900	INDEX FOR KNOB W/RED SIGN
001		536017100	BLACK KNOB §70 PIN §8*6,5
001		539022500	ADHESIVE GRADUATED DISC FOR KNOB
001		537007600	TERMINAL BLOCK SINGLEPHASE 40A
001		544263600	LEFT SIDE S.65
001		537015600	BIPOLAR SWITCH
001		537005600	6 FLAME IGNITION CONTROL BOX V230
001		537005601	6 FLAME IGNITION CONTROL BOX V230
002		533037600	LOCK SPRING FOR BULB
002		534009100	GRILL PROTECTION CF-8/10
002		534009101	
002		533095900	PIN FOR GRIDSHOLDER SUPPORT CF 60
002		537005400	OVEN BULB 15W 300°C
002		537007900	OVEN BULB-SOCKET WITH LAMP
002		533026400	ELBOW FOR BICONE D.8 M13X1
002		536011300	OVEN GASKET 65/60 *OLD MODEL*
002		533016100	BICONE D.8
002		533017000	THREARED FITTING FOR BICONE 8S
002		533016600	BICONE §8 H.6 SABAF DIS.688
002		539018800	BLANK INDEX FOR KNOB
002		531012402	DOOR WHEEL HOLDER FOR MAXI OVEN
002		539023900	SIGN PLATE FOR OVEN TEMPERATURE
002		531013600	SIDE GRID FOR MAXI/VENTILATED OVEN
002		531057800	RHD GRIDS HOLDER FOR MAXI-OVEN
002		531012401	OVEN DOOR WHEEL HOLDER F.CF-8/10
002		536011301	GASKET FOR MAXI 60T-OVEN L=1980
002		531057900	LHD GRIDS HOLDER FOR MAXI-OVEN
002		536000801	EXTERNAL GASKET DIS.174-1
002		531006700	OVEN GRID FOR CF-8/10
002		533018100	BRIDLE D.21
002		536017100	BLACK KNOB §70 PIN §8*6,5
002		534002200	OVEN DRIPPING-PAN CF-8/10
002		539023201	ADHESIVE GRADUATED DISC FOR KNOB
002		531006701	MAXI OVEN GRID FOR S60/65
002		534009202	BOTTOM FOR GAS MAXI OVEN FOR 60LINE
002		539023800	LABEL FOR OVEN TIMER
002		531024800	TIMER 120'- 360°
002		536013800	KNOB D.70 BLACK 6*5 WITH SPRING
002		537001700	GREENLIGHTED BIPOLAR SWITCH
002		531010002	GRILL BURNER FOR CF-55/60

Page	Pos	Code	Description
002		539023600	ADHESIVE GRADUATED DISC FOR KNOB
002		536024800	HOOD WITH SWITCH FRAME
002		537024500	IGNITION PLUG FOR GRILL-BURNER
002		531010001	GRILL BURNER CF-8/10G
002		533017501	VENTURI BUSHING FOR OVEN BURNER CF
002		533084000	HEXAGONAL NUT 1/4G ZN TUBE §8
002		533016201	FITTING 90° FOR BICONE §8
002		533010900	NUT M14*1 H.4
002		533083900	THERMOCOUPLE 1000 M8*1 OVEN BURNER
002		537024400	IGNITION PLUG FOR OVEN-BURNER
002		533084100	LOCK SPRING FOR PLUG-THERMOCOUPLE
002		533083800	THERMOCOUPLE 1200 M8*1 OVEN BURNER
002		531009901	OVEN BURNER CF-8/10G
002		531056200	BURNER FOR OVEN CF-8/10G
002		531024701	THERMOSTATIC TAP + VALVE CF65 BP50
002		531031801	BY-PASS §45 SAFETY COCK CF65
002		533068901	§50 BY-PASS COCK F.OVEN CF60/65/55
002		533045901	§45 BY-PASS THERMOSTATIC TAP
002		533013101	NOZZLE §102 CH7*8,8 G-OVEN F-GRILL
002		533013001	NOZZLE §90 CH7*8,8 F-OVEN+GRILL
002		533014000	NOZZLE §160 CH7*8,8 MH-FOUR+GRILL
002		533013501	NOZZLE §180 CH7*8,8 L-FOUR+GRILL
002		533013300	NOZZLE §170 CH7*8,8 AARDGAS-OVEN+G
003		533037600	LOCK SPRING FOR BULB
003		534009100	GRILL PROTECTION CF-8/10
003		533095900	PIN FOR GRIDSHOLDER SUPPORT CF 60
003		537007900	OVEN BULB-SOCKET WITH LAMP
003		533026400	ELBOW FOR BICONE D.8 M13X1
003		533016100	BICONE D.8
003		539018800	BLANK INDEX FOR KNOB
003		531012402	DOOR WHEEL HOLDER FOR MAXI OVEN
003		539023900	SIGN PLATE FOR OVEN TEMPERATURE
003		531057800	RHD GRIDS HOLDER FOR MAXI-OVEN
003		536011301	GASKET FOR MAXI 60T-OVEN L=1980
003		531057900	LHD GRIDS HOLDER FOR MAXI-OVEN
003		536000801	EXTERNAL GASKET DIS.174-1
003		533018100	BRIDLE D.21
003		536017100	BLACK KNOB §70 PIN §8*6,5
003		539023201	ADHESIVE GRADUATED DISC FOR KNOB
003		531006701	MAXI OVEN GRID FOR S60/65
003		534009202	BOTTOM FOR GAS MAXI OVEN FOR 60LINE
003		539023800	LABEL FOR OVEN TIMER
003		531024800	TIMER 120'- 360°
003		537001700	GREENLIGHTED BIPOLAR SWITCH
003		531010002	GRILL BURNER FOR CF-55/60
003		537024500	IGNITION PLUG FOR GRILL-BURNER
003		536013800	KNOB D.70 BLACK 6*5 WITH SPRING
003		539023600	ADHESIVE GRADUATED DISC FOR KNOB
003		536024800	HOOD WITH SWITCH FRAME
003		533084000	HEXAGONAL NUT 1/4G ZN TUBE §8
003		533016201	FITTING 90° FOR BICONE §8

Page	Pos	Code	Description
003		533083900	THERMOCOUPLE 1000 M8*1 OVEN BURNER
003		533010900	NUT M14*1 H.4
003		533017501	VENTURI BUSHING FOR OVEN BURNER CF
003		537024400	IGNITION PLUG FOR OVEN-BURNER
003		533084100	LOCK SPRING FOR PLUG-THERMOCOUPLE
003		533083800	THERMOCOUPLE 1200 M8*1 OVEN BURNER
003		531056200	BURNER FOR OVEN CF-8/10G
003		531024701	THERMOSTATIC TAP + VALVE CF65 BP50
003		531031801	BY-PASS \$45 SAFETY COCK CF65
003		533068901	\$50 BY-PASS COCK F.OVEN CF60/65/55
003		533045901	\$45 BY-PASS THERMOSTATIC TAP
003		533013101	NOZZLE \$102 CH7*8,8 G-OVEN F-GRILL
003		533013001	NOZZLE \$90 CH7*8,8 F-OVEN+GRILL
003		533014000	NOZZLE \$160 CH7*8,8 MH-FOUR+GRILL
003		533013501	NOZZLE \$180 CH7*8,8 L-FOUR+GRILL
003		533013300	NOZZLE \$170 CH7*8,8 AARDGAS-OVEN+G
004		531009602	GLASS DOOR FOR MAXI OVEN OF 600LINE
004		536007102	INTERNAL GLASS OVEN DOOR MAXI
004		531064400	EXTERNAL GLASS MAXI OVEN DOOR+FRAME
004		533094600	BUSH P.F. 60-LINE
004		536021801	DOOR HANDLE SPACER FOR MAXI OVEN
004		533094400	S/S OVEN DOOR HANDLE FOR 60T-LINE
004		531007302	DOOR HINGE FOR MAXI OVEN 60.LINE
004		531012702	STAINLESS STEEL OVEN DOOR 60 LINE
004		544015702	INNER-DOOR FOR MAXI OVEN OF 60LINE
004		544074703	S/S MAXI OVEN DOOR PANEL
005		544015900	INNER GLASSDOOR OF MAXI OVEN
005		544015901	INNER-DOOR FOR MAXI OVEN *GLASS*
005		536007100	INTERNAL GLASS OVEN DOOR CF-8/10
005		536007101	VETRO I.P.F.S60 MAXI 370X620 (S
005		536021800	DOOR HANDLE SPACER FOR MAXI OVEN
005		531007001	OVEN GLASS DOOR HANDLE CF-8/10
005		536007001	EXTERNAL GLASS OVEN DOOR CF8/10
005		531007301	DOOR HINGE FOR MAXI OVEN CF-8/10
006		544301600	RIGHT SIDE FOR 65 RANGE
006		544301500	LEFT SIDE FOR 65 RANGE
006		536005300	PLASTIC LED 2"
007		532001700	QUICKBURNER \$82
007		532006400	QUICKBURNER 2 RING Ø082 3 Z
007		532001800	QUICKBURNER \$102
007		532006500	QUICKBURNER 2 RING Ø102 3 Z
007		532006700	BURNER BODY 5,5 KW WITH PLUG
007		532006600	BURNER BODY 3,5 KW WITH PLUG
007		533011100	THERMOCOUPLE 750 M8*1
007		537010300	IGNITION PLUG WITH SPRING PC65
007		547014600	HIGH-VOLTAGE CABLE208X0,8.TUB.§2 L8
007		533053000	AIR ADJUSTMENT BUSHING \$18
007		532001300	BURNER VENTURI 3,5 KW
007		532001400	BURNER VENTURI 5,5 KW
007		533053100	AIR ADJUSTMENT BUSHING \$20
007		533076100	HEXAGONAL NUT M14X1 H4 + BUSHING

Page	Pos	Code	Description
007		533052301	JOINT FOR NOZZLE HOLDER
007		533010800	TUBE NUT D.10 M16*1,5
007		533039300	BICONE §10
007		531025900	SAFETY TAP 20S-B PEL20S21070
007		533069000	BY PASS COCK §70 20S-21S
007		533069100	BY PASS COCK §60 20S
007		531025800	SAFETY TAP 20S-B PEL20S2160
007		533015400	NOZZLE §93 CH12*14 G-PC4 R
007		533015300	NOZZLE §82 CH12*14 F-PC4 R
007		533015200	NOZZLE §145 CH12*14 F-FP/CP6
007		533030300	NOZZLE §160 CH12*14 M-FPG
007		533014900	NOZZLE §150 CH12*14 F-FQ5 L-FQ6
007		533043400	NOZZLE §117 CH12*14 G-PC4 UR
007		533043300	NOZZLE §103 CH12*14 F-PC4 UR
007		533019400	NOZZLE §180 CH12*14 L-FQ5
007		533043600	NOZZLE §200 CH12*14 L-PC4 UR
007		533043500	NOZZLE §190 CH12*14 G25 PC4R