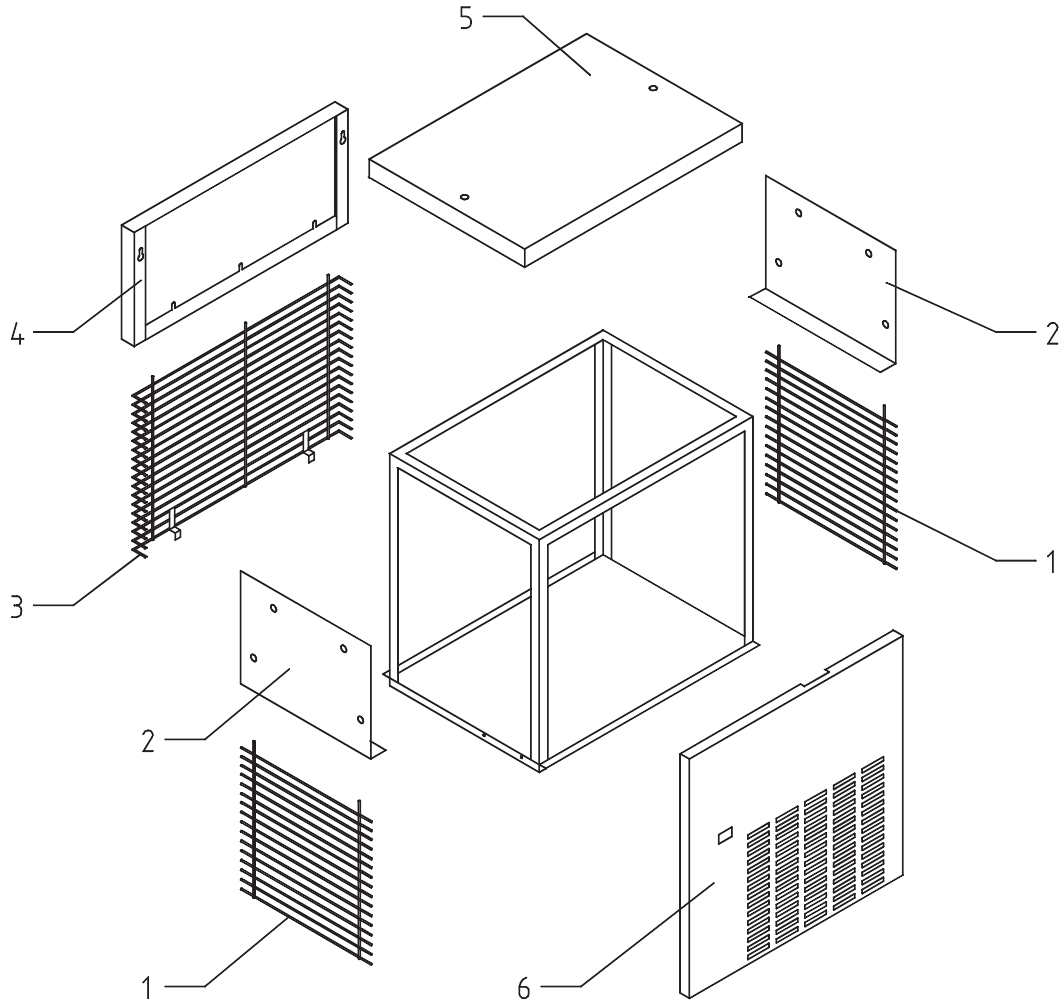


Shell assembly Mod. G250-500 A/W



dis. 24516_0

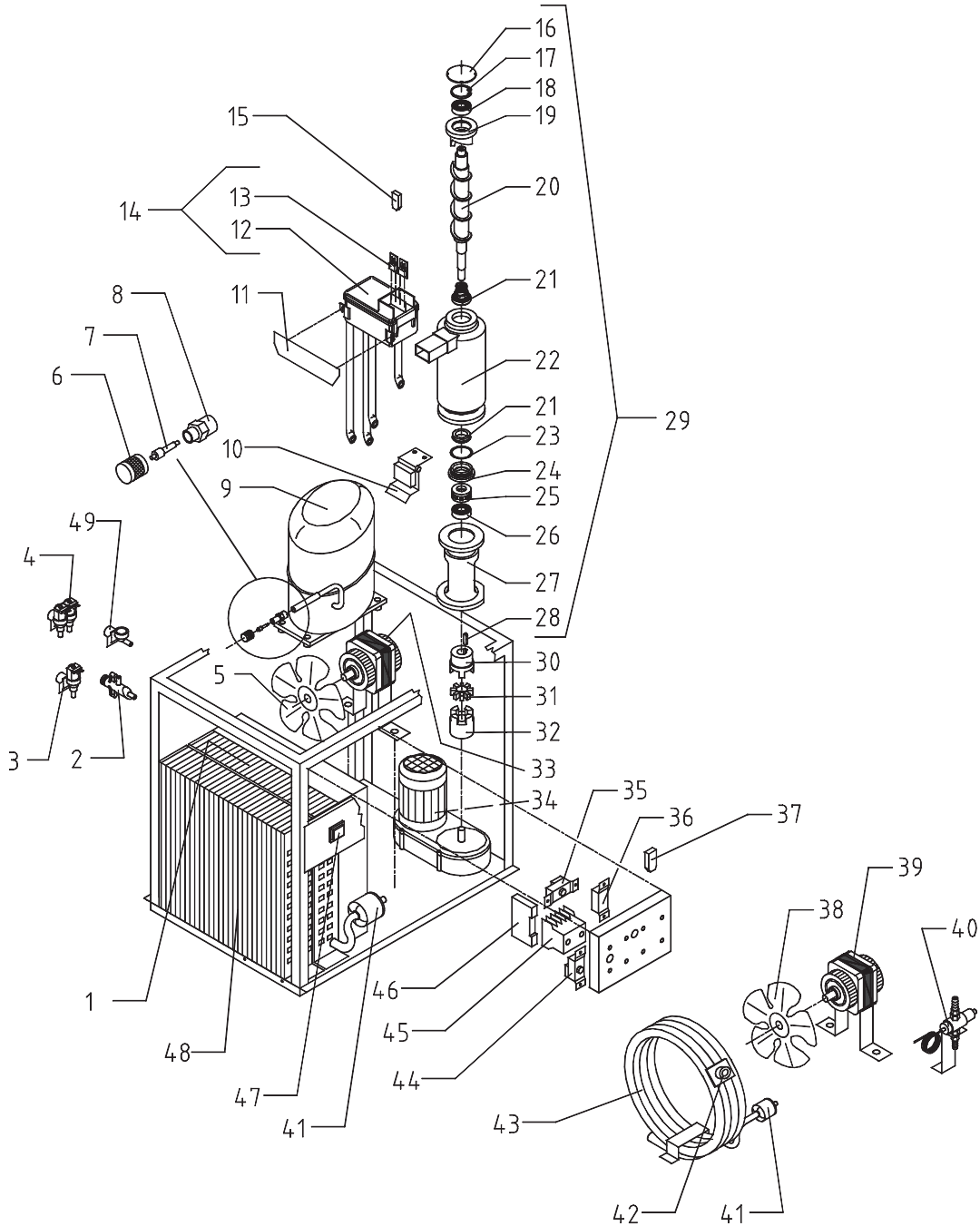
Shell assembly Mod. G250 A/W (TAB. 68)

Ref.	Description	Refrigerant	A/W	Tension	Code
1	Lateral grid				D12061
2	Right/left panel				22663
3	Back grid				D12060
4	Back panel				22665
5	Top				22667
6	Front panel assembly				C22662B

Shell assembly Mod. G500 A/W (TAB. 69)

Ref.	Description	Refrigerant	A/W	Tension	Code
1	Lateral grid				D12061
2	Right/left panel				22663
3	Back grid				D12060
4	Back panel				22665
5	Top				22667
6	Front panel assembly				C22662B

Cooling system assembly Mod. G250-500 A/W



dis. 24517_1

Cooling system assembly Mod. G500 A/W (TAB. 71)

Ref.	Description	Refrigerant	A/W	Tension	Code
1	Air condenser		A		20426
2	Discharges manifold		A		C10052
2	Discharges manifold		W		C10053
3	Inlet watervlve 1 way				23115
5	Suction fan		A		20407
6	Vacuum-charge valve plug				14006
7	Vacuum-charge valve device				14005
8	Vacuum- charge valve body				14007
9	Compressor			1	23487
9	Compressor			2	23574
9	Compressor			5	23589
10	Bin level control switch				C22099
11	Basin support plate				21133
12	Double switch basin				10145
13	Microswitch				23055
14	Double switch basin assembly				C10314
15	Anti radio interference filter			1	23457
16	Closing disk				22670
17	Seeger				20116
18	Inox bearing				20113
19	Ice breaker				20503
20	Auger				20516
21	Ceramic seal				20110
22	Foamed evaporator				C11104
23	OR ring 4312				20205
24	Ring for ceramic seal				20504
25	S/s thrust (roller) bearing				20111
26	Inox bearing				20113
27	Flange				20482
28	Key				20431
29	Evaporator assy				C11106
30	Half coupling upper				D20517
31	Vibration-damping elastomer				20494
32	Half coupling lower				D20493
33	Fan motor		A		23121
34	Gearmotor				23571
35	Evaporator thermostat				23034
36	Condenser pressure switch		A		23175
37	Anti radio interference filter		A	1-5	23459
38	Suction impeller		W		10213
39	Fan motor		W		23029
40	Pressure valve		W		20210
41	Solid core drier				14089
42	Safety thermostat		W		C23114
43	Water condenser		W		14212
44	Bin thermostat				23421
45	Contactore				23147
46	Electronic timer				23560
47	Green light switch				23327
48	Air condenser		A		20511
49	1 way inlet water nipple		W		10368

Note: 4. Code C23192 (W) until number 123470.

20. Code 20505 until number 81178. Code 20516 from number 81179.

29. Code C11103 until number 81178. Code C11106 from number 81179.

30. Code D20493 until number 81178. Code D20517 from number 81179.

20. For machines with previous serial no. of 81179, besides the new auger (Code 20516), ask also for the half coupling upper code D20517. The old auger code 20505 becomes obsolete.

29. For machines with previous serial no. of 81179, besides the new evaporator assy (Code C11106), ask also for the half coupling upper code D20517. The old evaporator assy code C11103 becomes obsolete.