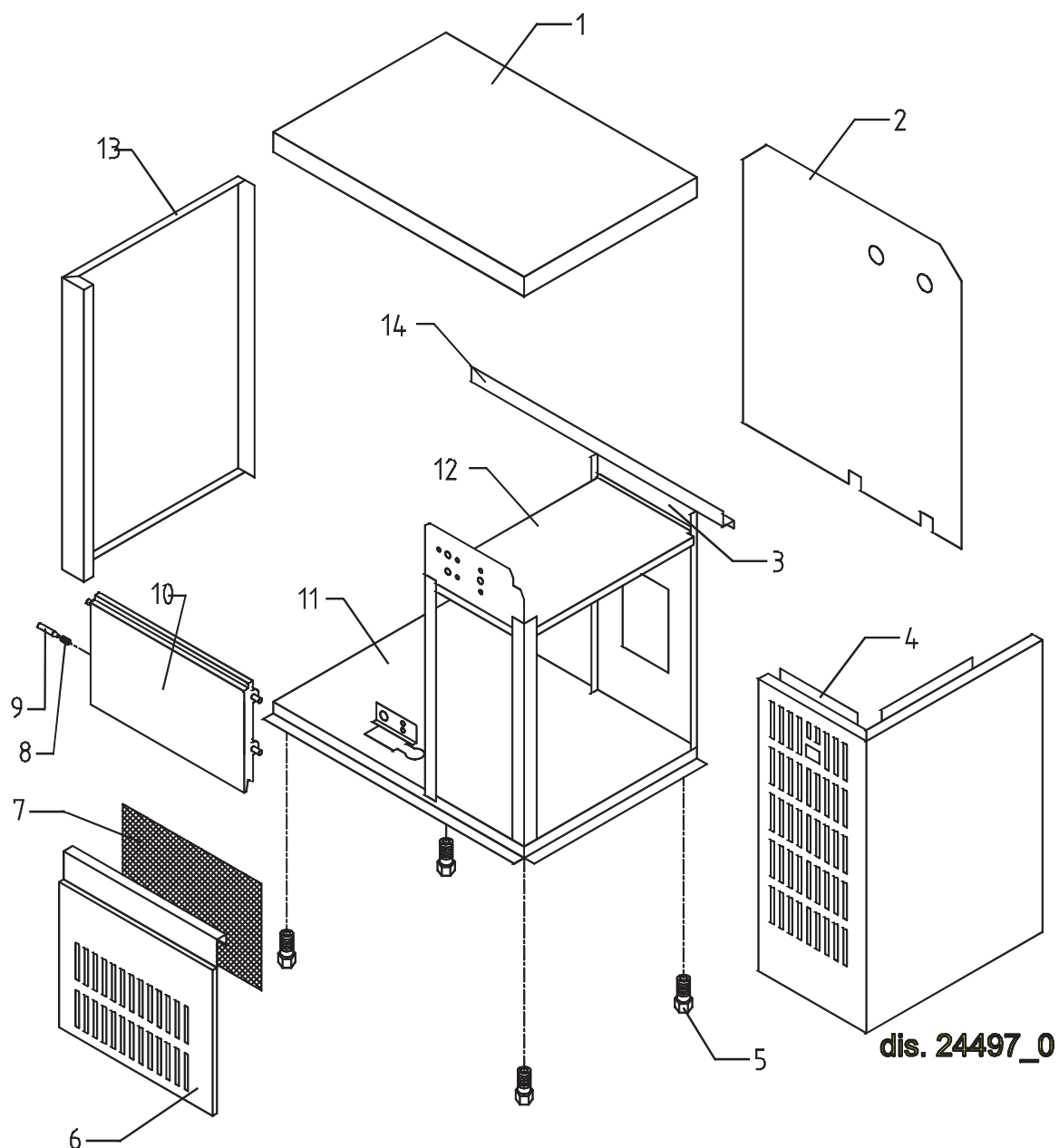


Shell assembly Mod. IC18-30



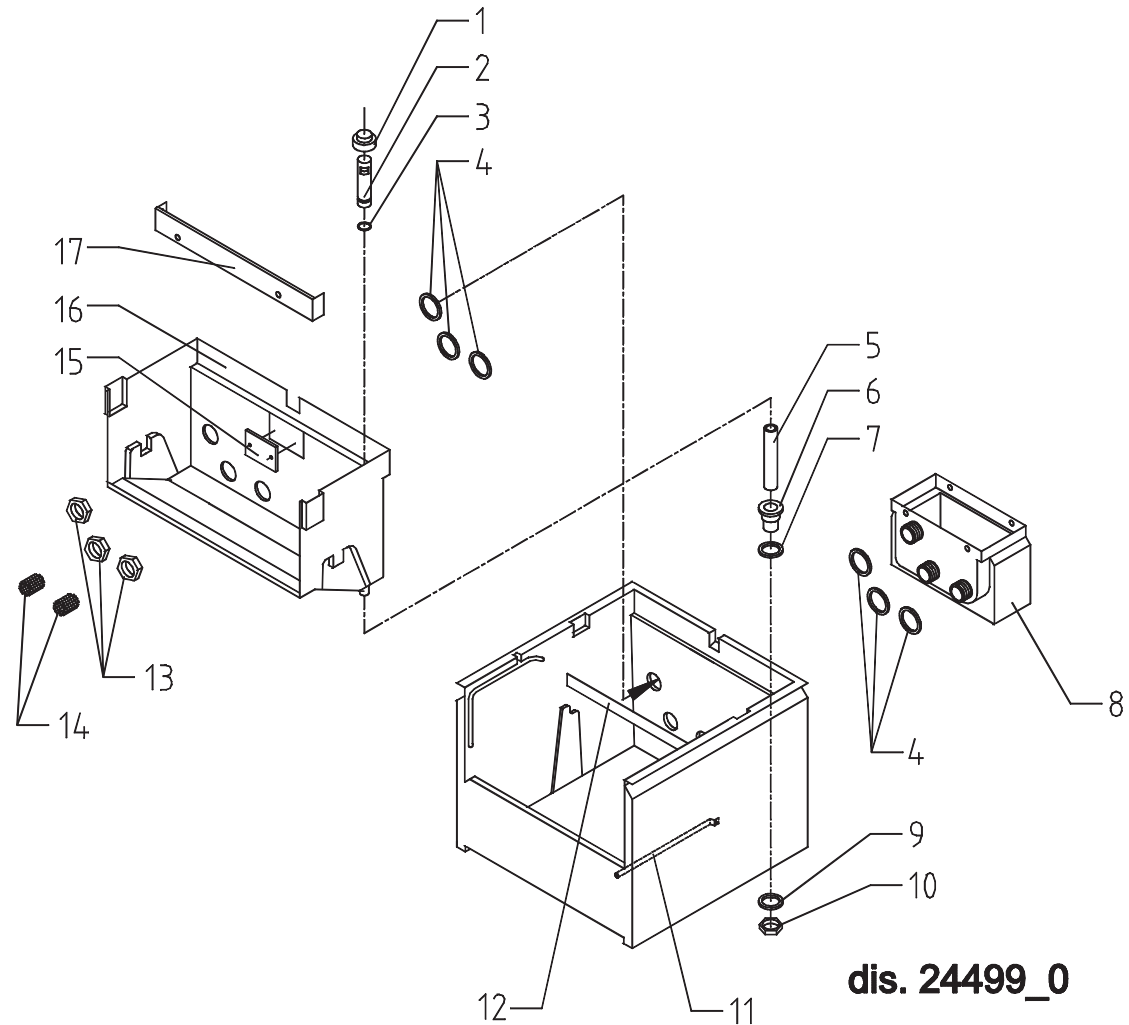
Shell assembly Mod. IC18 (TAB. 30)

Ref.	Description	Refrigerant	A/W	Tension	Code
1	Top assembly				C22199
2	Back panel				21161
4	Right & front panel (fan side)				22308
5	Foot				10017
6	Front panel				22307
7	Filtering panel				18074
10	Blue door				10081
11	Base plate				21105
12	Fan motor & electrical components support plate				22301
13	Left panel				22309
14	Back frame				21156

Shell assembly Mod. IC30 (TAB. 32)

Ref.	Description	Refrigerant	A/W	Tension	Code
1	Top assembly				C22305
2	Back panel				21160
3	Back plate				21158
4	Right & front panel (fan side)				22303
5	Foot				10017
6	Front panel				22306
7	Filtering panel				18076
8	Door pin spring				20499
9	Door pin				10269
10	Door				10297
11	Base plate				21159
12	Fan motor & electrical components support plate				22302
13	Left panel				22304
14	Cross fixing panels				21162

Basin assembly Mod. IC30

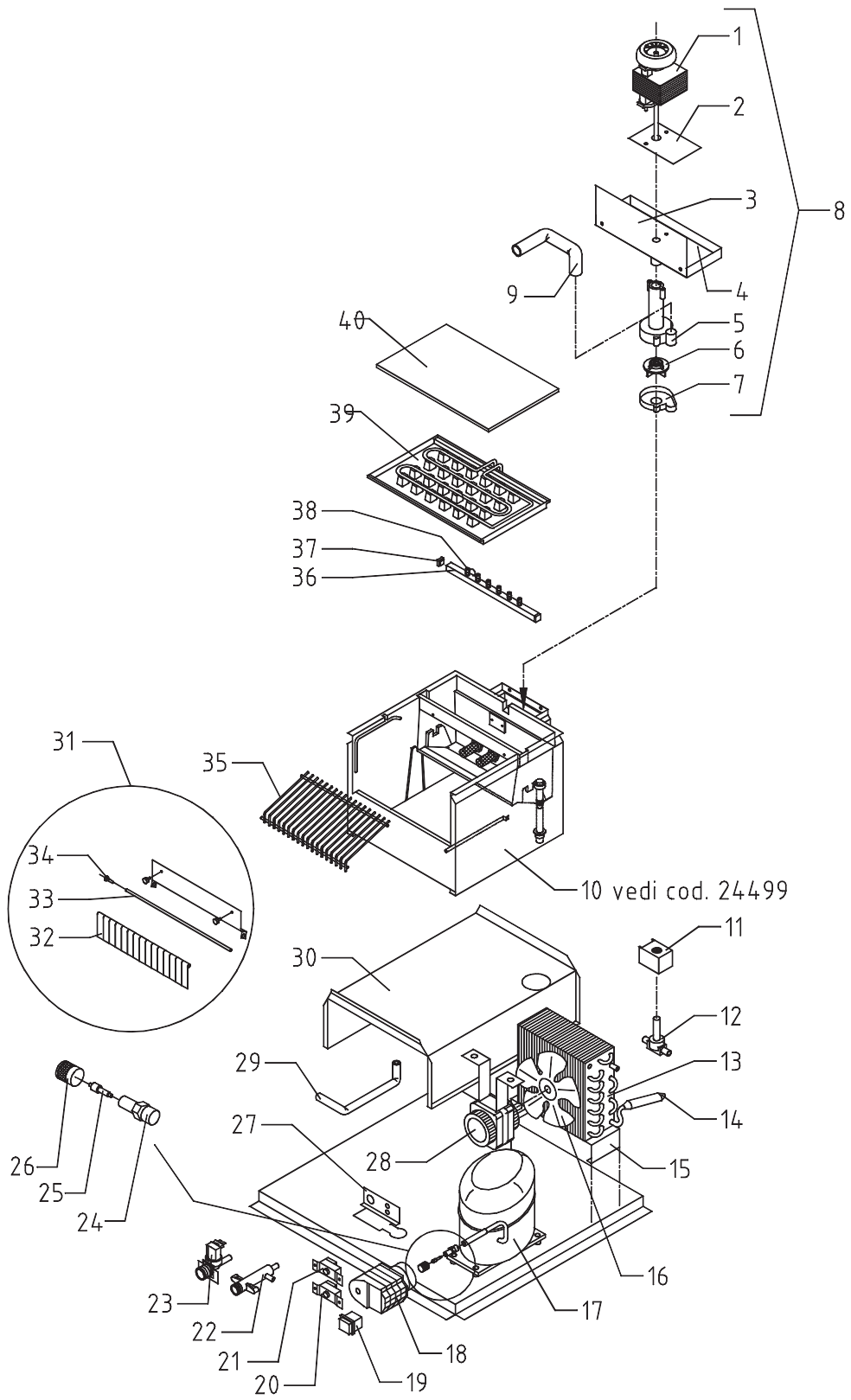


Basin assembly Mod. IC30 (TAB. 35)

Ref.	Description	Refrigerant	A/W	Tension	Code
1	Overflow cap				10305
2	Overflow tube				10133
3	O-ring gasket for overflow pipe				20233
4	Silicone seal for pump basin				13069
5	Overflow pipe				13107
6	Plastic nipple water outlet				10007
7	Silicone gasket				13006
8	Insulated pump basin				C11048
9	Semirigid polyethylene gasket				13007
10	Bin discharge nut				10096
11	Bulb thermostat tube				20522
12	Inner basin back				22013
13	Nut for basin connections				10159
14	Pump suction filter				20005
15	Slide keep plate				10009
16	Inner basin				10162
17	Evaporator holder				22009

Note: 5. Code 13012 until number 64147. Code 13107 from number 64148.
11. Code 20017 until number 94730. Code 20522 from number 94731.

Cooling system assembly + Hydraulic circuit Mod. IC30



dis. 24500_1

Cooling system assembly + Hydraulic circuit Mod. IC30 (TAB. 37)

Ref.	Description	Refrigerant	A/W	Tension	Code
1	Pump motor			1	23073
1	Pump motor			2	23187
1	Pump motor			3	23188
2	Heat dissipator				22430
3	Basin/pump fender case				22763
4	Pump motor holder				10161
5	Pump body				10065
6	Pump impeller				10066
7	Diffuser				10067
8	Pump assy			1	C23254
8	Pump assembly			2	C23416
8	Pump assembly			3	C23417
9	Pump delivery pipe				13068
10	Complete cell assembly				C28207
11	Hot gas coil			1-2	23091
11	Hot gas coil			3	23256
12	Hot gas valve body				20410
13	Air condenser				20260
14	Molecular drier				14009
15	Air condenser support				21148
16	Suction impeller			1-2	10213
16	Suction fan			3	20095
17	Compressor	R404A		1	23441
17	Compressor	R404A		2	23494
17	Compressor	R404A		3	23446
17	Compressor	R22		1	23313
17	Compressor	R22		2	23345
17	Compressor	R22		3	23369
18	Timer			1	23222
18	Timer			2	23248
18	Timer			3	23259
19	Green light switch				23327
20	Evaporator thermostat				23591
21	Bin thermostat				23005
22	Exhaust manifold				10006
23	Inlet watervlve 1 way			1-2	23300
23	Inlet watervlve 1 way			3	23415
24	Vacuum- charge valve body				14007
25	Vacuum-charge valve device				14005
26	Vacuum-charge valve plug				14006
27	Support (water valve & discharge)				21149
28	Fan motor			1-2	23037
28	Fan motor			3	23265
29	Water discharge pipe				13067
30	Bin support saddle				21157
31	Flags support assy				C22035
32	Flag				10005
33	Flags rod				12007
34	Flags rod clip				10010
35	Ice cubes slide				D12008
36	Sprayers bar assembly				C20573
37	Sprayers bar plug				10012
38	Sprayer				D20002
39	Evaporator				D10046
40	Evaporator cover				10023

Note: 19.Code 23327 from September 1994. Before Code 23061.