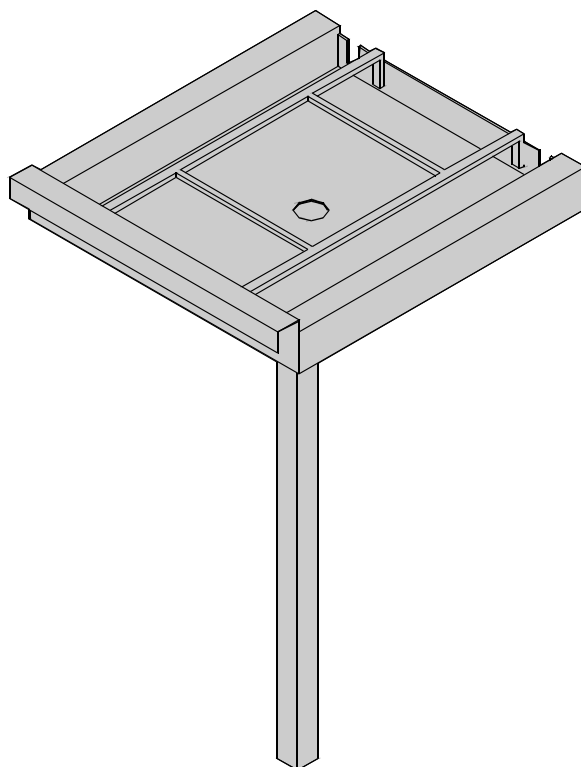


RACK CONVEYOR MACHINE

TYPE: 98

Spare parts manual



S/N:

Valid from:..11/2002

Rev.: 2.0

1. Spare parts

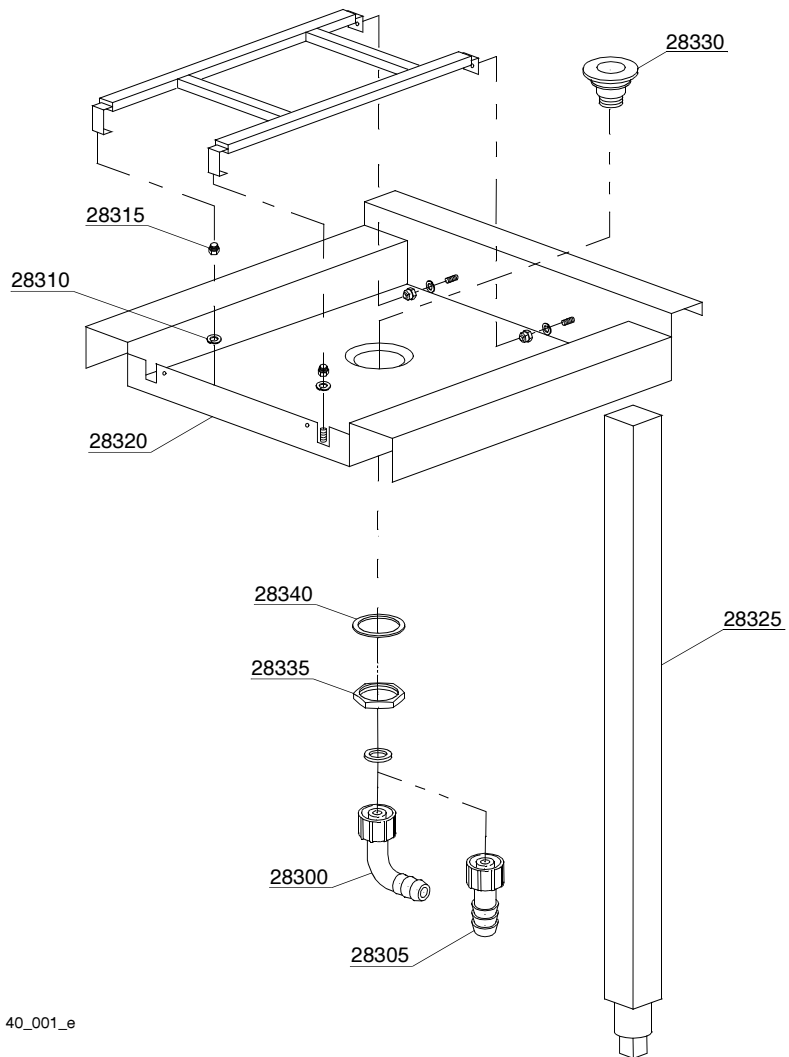
Angle loading table 90° - LC 98 7

1.1 Voltage codes

Voltage code	Voltage
A	3/N/PE~400/230V 50Hz
B	~250V 16A 50Hz
C	3/N/PE~380/220V 50Hz
D	3/PE~200V 50-60Hz
F	2/PE 220-240V 50Hz
G	3/N/PE~415/240V 50Hz
H	3/PE~230V 50Hz
I	3/PE~220V 60Hz
J	3/PE~380 50Hz
K	3/PE~400V 50Hz
L	3/PE~415V 50Hz
M	3/PE~440V 60Hz
N	3/PE~460V 60Hz
O	3/PE~480V 60Hz
P	1/N/PE~220-240V 50Hz
R	2/PE~220-230V 60Hz
S	3/N/PE~400/230V 50Hz
T	3/PE~230V 60Hz

1.2 Product codes

Product code	Full name
Model codes	
Type codes	
98	98
Accessory codes	



40_001_e

Spare parts

ID	P-code	Model	Type	Accessory	Voltage	Description
MODULE:Angle loading table 90° - LC 98						
28300	15613		34,34HS,22,160,23,24,250,25,26,380,380L,27,28,540,540L,98			"1"" 1/4x30 nylon elbow"
28305	15613/A		34,34HS,22,160,23,24,250,25,26,380,380L,27,28,540,540L,98			Fitting exauster
28310	3003024		34,34HS,22,160,23,24,250,25,26,380,380L,27,28,540,540L,98			Washer
28315	3003025		34,34HS,22,160,23,24,250,25,26,380,380L,27,28,540,540L,98			Bush
28320	3009250		34,34HS,22,160,23,24,250,25,26,380,380L,27,28,540,540L,98			Platform
28325	3009608		34,34HS,22,160,23,24,250,25,26,380,380L,27,28,540,540L,98			Leg assembly
28330	10200113		34,34HS,22,160,23,24,250,25,26,380,380L,27,28,540,540L,98			Floor drain
28335	10200114		34,34HS,22,160,23,24,250,25,26,380,380L,27,28,540,540L,98			Floor drain nut
28340	10200173		34,34HS,22,160,23,24,250,25,26,380,380L,27,28,540,540L,98			Gasket 75x58x2