

# **FD5C Parts List**

## **Table of Contents**

**Cabinet**

**Ice Dispensing**

**Water and Drains**

**Air Cooled**

**Water Cooled**

**Evaporator**

**Gear Reducer**

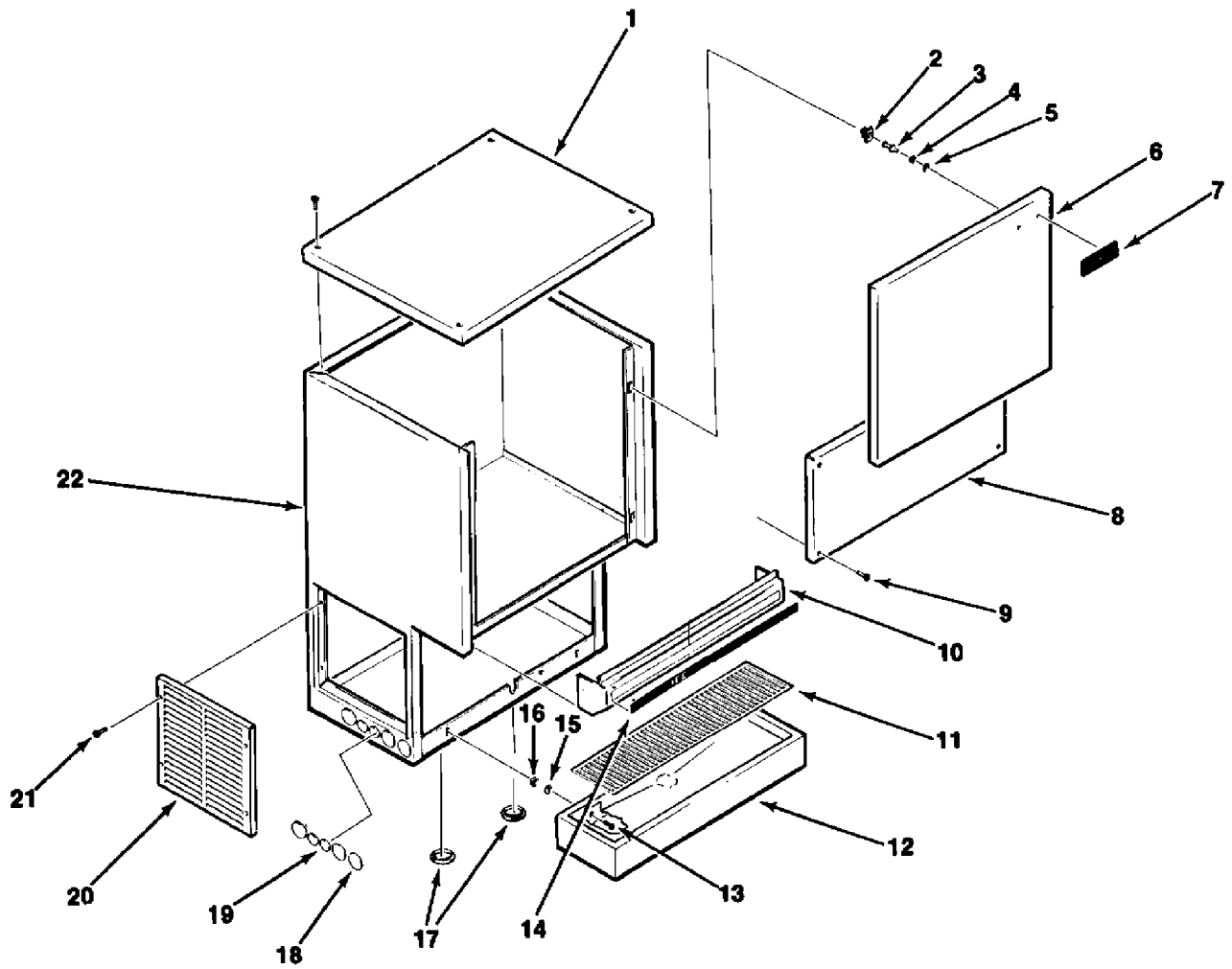
**Compressor**

**Bin Top**

**Control Box**

**Wiring Diagrams**

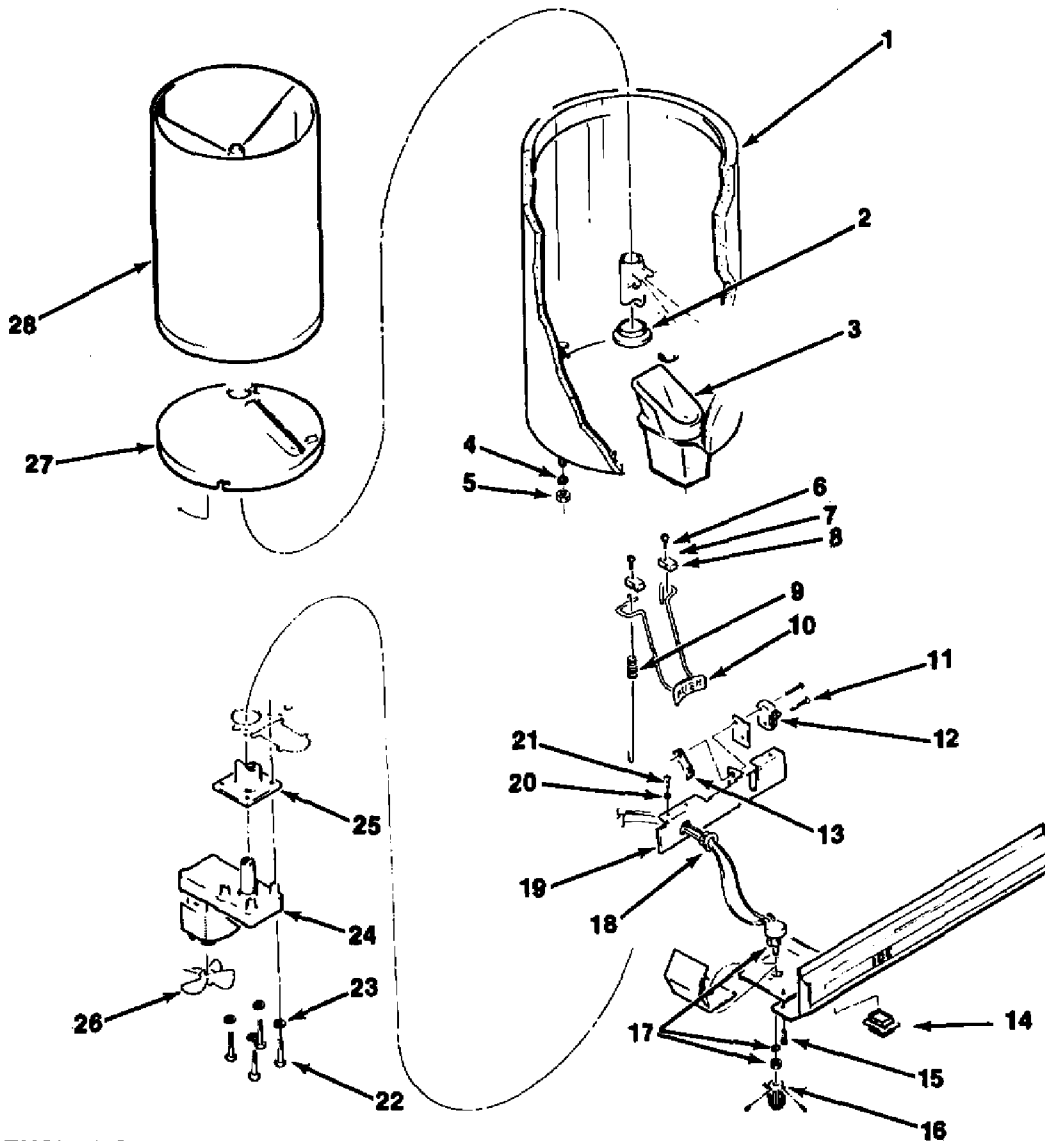
**FD5**  
**THE PARTS ILLUSTRATION AND PARTS LISTINGS**



**CABINET ASSEMBLY**

| ITEM NUMBER | PART NUMBER | DESCRIPTION                           |
|-------------|-------------|---------------------------------------|
| 1           | A20192-003  | Cabinet Top, Enamel                   |
|             | A20192-001  | Cabinet Top, Stainless Steel          |
| 2           | 02-0836-00  | Catch (8 required)                    |
| 3           | 15-0411-00  | Strike (8 required)                   |
| 4           | 03-1406-03  | Nut, No. 8-32 Hex                     |
| 5           | 03-1417-03  | Lockwasher, No. 8 External Tooth      |
| 6           | A20192-002  | Upper Front Panel, Enamel             |
|             | A20192-001  | Upper Front Panel, Stainless Steel    |
| 7           | 15-0681-01  | Scotsman Emblem                       |
| 8           | A19339-000  | Splash Panel, Stainless Steel         |
| 9           | 03-1419-09  | Screw, No. 8 x 1-1/4                  |
| 10          | A21273-000  | Panel, Control, Enamel                |
|             | A21273-001  | Panel, Control, Stainless Steel       |
| 11          | 02-1858-00  | Grill                                 |
| 12          | A23212-000  | Sink Assembly                         |
| 13          | 03-1405-05  | Screw, 1/4-20 x 5/8                   |
| 14          | 15-0560-01  | Decal                                 |
| 15          | 03-1410-03  | Lockwasher, 1/4                       |
| 16          | 03-1406-09  | Nut, 1/4-20                           |
| 17          | No Number   | Plug Button                           |
| 18          | No Number   | Hole Plug                             |
| 19          | No Number   | Hole Plug                             |
| 20          | A24140-004  | Panel - Cond. Access, Enamel          |
|             | A24140-002  | Panel - Cond. Access, Stainless Steel |
| 21          | 15-0411-00  | Strike (8 required)                   |
| 22          | A19945-003  | Cabinet Frame, Enamel                 |
|             | A19945-001  | Cabinet Frame, Stainless Steel        |

**FD5**  
**THE PARTS ILLUSTRATION AND PARTS LISTINGS**



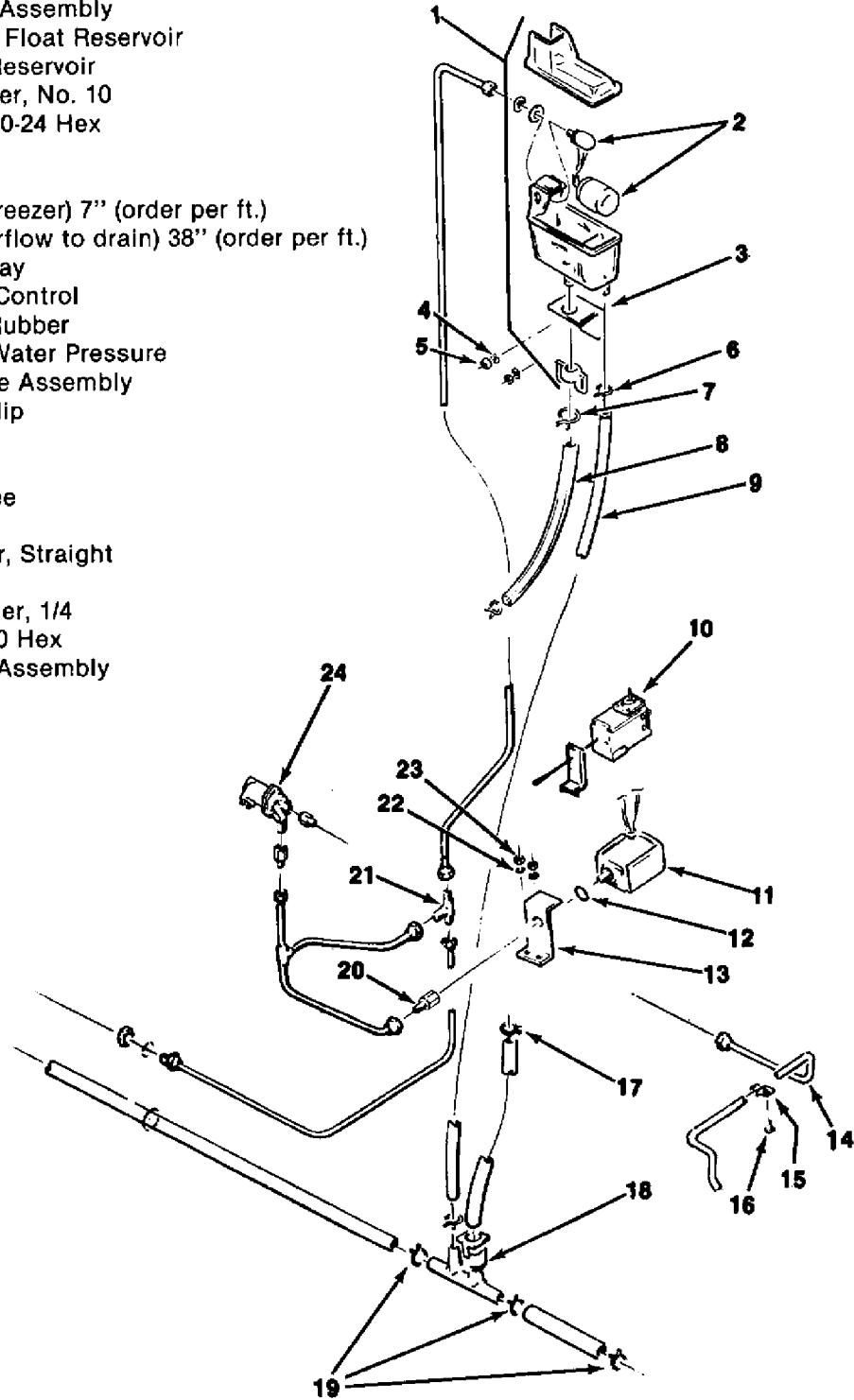
**ICE DISPENSING SYSTEM**

| ITEM NUMBER | PART NUMBER | DESCRIPTION               |
|-------------|-------------|---------------------------|
| 1           | A21386-001  | Bin Assembly, Insulation  |
| 2           | 13-0747-00  | Water Shed                |
| 3           | 02-1726-00  | Rubber Spout              |
| 4           | 03-1410-03  | Lockwasher                |
| 5           | 03-1406-09  | Hex Nut                   |
| 6           | 03-1403-06  | Panhead Machine Screw     |
| 7           | 03-1417-14  | Lockwasher                |
| 8           | 02-1969-00  | Arm Ciamp                 |
| 9           | 02-1827-00  | Spring                    |
| 10          | 02-2076-01  | Glass Filler Lever        |
| 11          | 03-1403-62  | Screw, 4-40 x 7/8         |
| 12          | 12-1642-00  | Switch                    |
| 13          | A22053-000  | Speed Nut, Twin           |
| 14          | 12-1377-01  | Switch                    |
| 15          | 03-1404-09  | Screw, No. 8 x 1/2        |
| 16          | 02-1810-00  | Knob, Pointer             |
| 17          | 12-1557-00  | Potentiometer             |
| 18          | 12-1213-10  | Snap Bushing              |
| 19          | A24325-001  | Switch Plate Assembly     |
| 20          | 03-1417-03  | Lockwasher                |
| 21          | 03-1403-16  | Panhead Machine Screw     |
| 22          | 03-1403-36  | Panhead Machine Screw     |
| 23          | 03-1410-02  | Lockwasher                |
| 24          | 12-1561-01  | Bin Drivemotor            |
| 25          | 02-1971-00  | Gear Motor, Bracket       |
| 26          | 12-0675-25  | Fan Blade                 |
| 27          | A30289-001  | Inner Bin Bottom Assembly |
| 28          | A19349-001  | Inner Bin Fab. Assembly   |

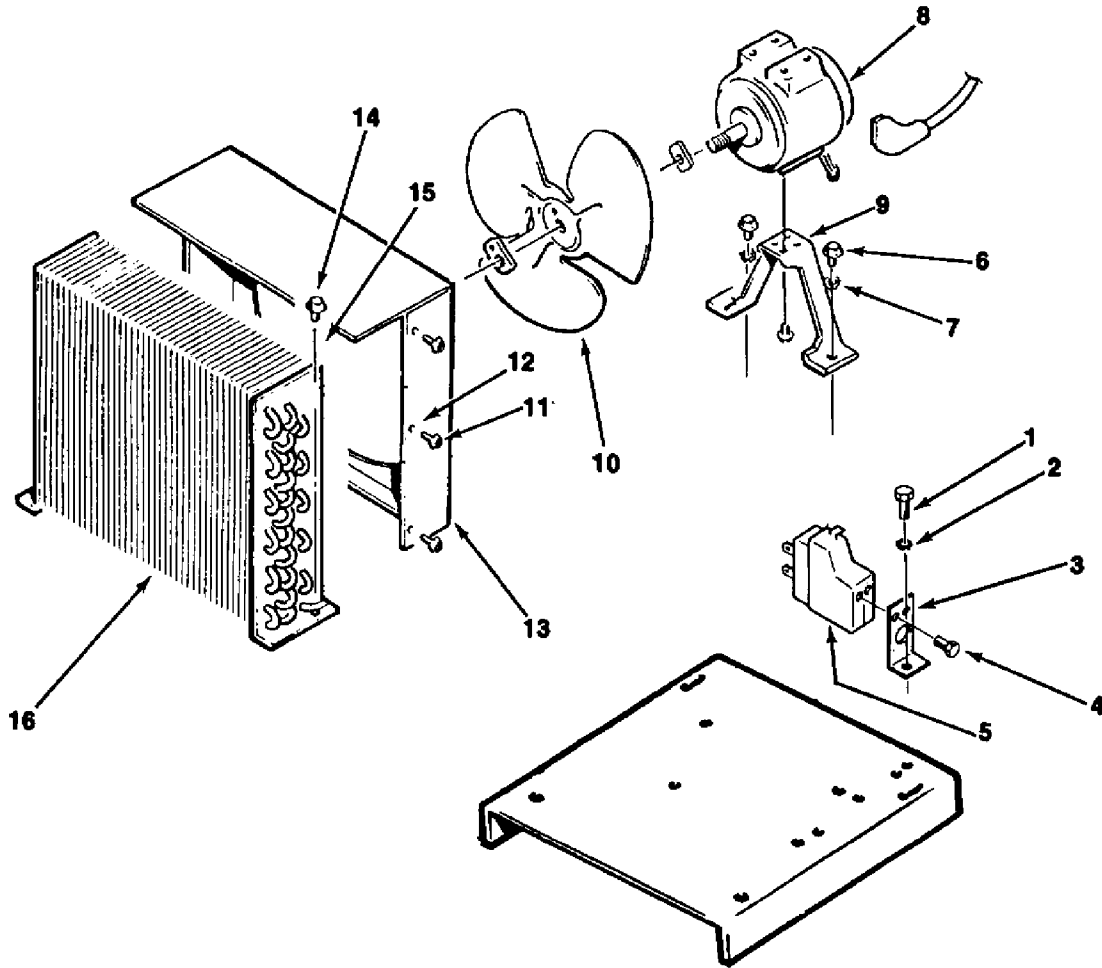
**FD5**  
**THE PARTS ILLUSTRATION AND PARTS LISTINGS**

**POTABLE WATER AND DRAINAGE SYSTEM**

| ITEM NUMBER | PART NUMBER | DESCRIPTION                                  |
|-------------|-------------|--|
| 1           | 02-2217-01  | Reservoir Assembly                           |
| 2           | 02-2217-02  | Valve and Float Reservoir                    |
| 3           | A20959-000  | Bracket, Reservoir                           |
| 4           | 03-1410-02  | Lockwasher, No. 10                           |
| 5           | 03-1406-06  | Nut, No. 10-24 Hex                           |
| 6           | 02-0694-00  | Clamp  |
| 7           | 02-0534-00  | Clamp  |
| 8           | 13-0674-09  | Tube (to freezer) 7" (order per ft.)         |
| 9           | 13-0079-03  | Tube (overflow to drain) 38" (order per ft.) |
| 10          | 11-0402-01  | Auger Delay                                  |
| 11          | 11-0296-00  | Pressure Control                             |
| 12          | No Number   | Washer, Rubber                               |
| 13          | No Number   | Bracket, Water Pressure                      |
| 14          | No Number   | Water Line Assembly                          |
| 15          | No Number   | Ground Clip                                  |
| 16          | No Number   | Screw  |
| 17          | 02-1338-00  | Clamp  |
| 18          | A21532-000  | Double Tee                                   |
| 19          | 02-0534-00  | Clamp  |
| 20          | 12-0350-00  | Connector, Straight                          |
| 21          | No Number   | Tee  |
| 22          | 03-1417-09  | Lockwasher, 1/4                              |
| 23          | 03-1406-09  | Nut, 1/4-20 Hex                              |
| 24          | 12-1646-01  | Solenoid Assembly                            |



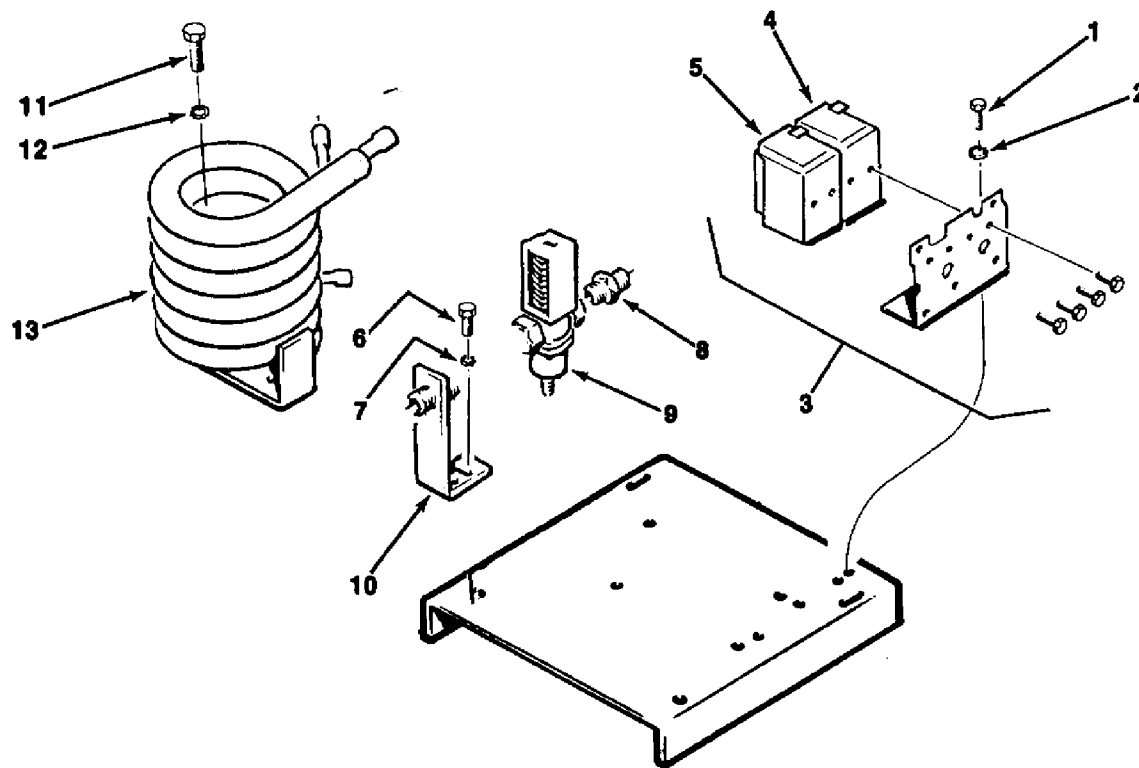
**FD5**  
**THE PARTS ILLUSTRATION AND PARTS LISTINGS**



**AIR-COOLED CONDENSER ASSEMBLY**

| ITEM NUMBER | PART NUMBER | DESCRIPTION                              |
|-------------|-------------|--|
| 1           | 03-0571-00  | Screw, No. 1/4-20 x 1/2 T/C Hex Cap      |
| 2           | 03-1417-09  | Lockwasher, 1/4 External Tooth           |
| 3           | No Number   | Bracket Pressure Control                 |
| 4           | 03-1403-02  | Screw, No. 6-32 x 1/4 Phil Recess Pan HD |
| 5           | 11-0420-01  | Pressure Control, Low                    |
| 6           | 03-0571-00  | Screw, No. 1/4-20 x 1/2 T/C Hex Cap      |
| 7           | 03-1410-03  | Lockwasher, 1/4 Helical Spring           |
| 8           | 12-1576-01  | Fan Motor                                |
| 9           | 18-0422-00  | Fan Bracket                              |
| 10          | 18-0137-02  | Fan Blade                                |
| 11          | 03-1404-15  | Phil Recess Pan HD                       |
| 12          | 03-1407-04  | Washer, No. 10 Flat                      |
| 13          | A20550-000  | Shroud, Condenser                        |
| 14          | 03-1405-03  | Screw, 1/4-20 x 1/2 Hex Cap              |
| 15          | 03-1417-09  | Lockwasher, No. 1/4 External Tooth       |
| 16          | 18-1927-00  | Condenser                                |

**FD5**  
**THE PARTS ILLUSTRATION AND PARTS LISTINGS**



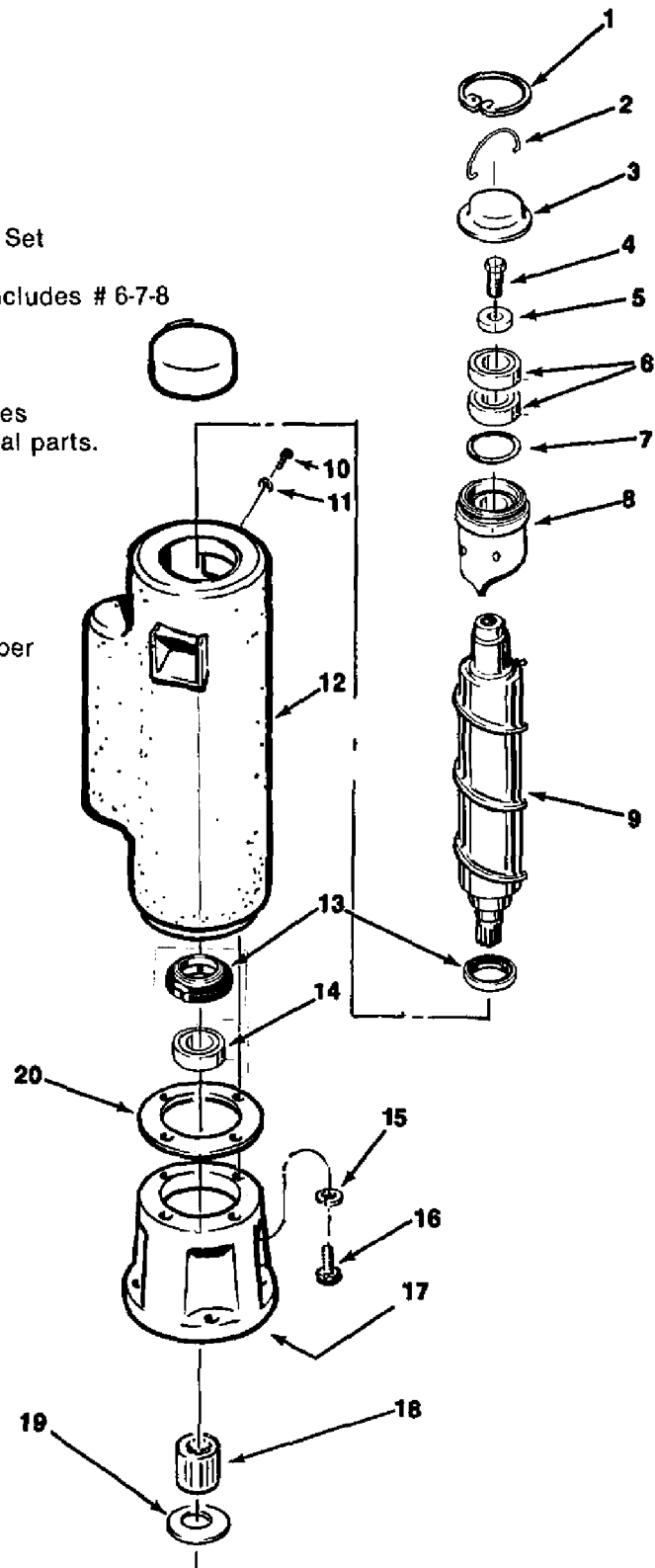
**WATER-COOLED CONDENSER ASSEMBLY**

| ITEM NUMBER | PART NUMBER | DESCRIPTION                                     |
|-------------|-------------|---|
| 1           | 03-1404-08  | Screw, No. 8 x 3/8 T/F Tap                      |
| 2           | 03-1417-03  | Lockwasher No. 8 External Tooth                 |
| 3           | 11-0421-01  | Pressure Control Assembly (Not Sold Separately) |
| 4           | No Number   | Pressure Control, Hi                            |
| 5           | No Number   | Pressure Control, Lo                            |
| 6           | 03-0571-00  | Screw, 1/4-20 x 1/2 T/C Hex Cap                 |
| 7           | 13-1410-03  | Lockwasher, 1/4 Helical Spring                  |
| 8           | A24487-003  | Coupling  |
| 9           | 11-0198-02  | Water Regulator                                 |
| 10          | A15924-000  | Pipe Nipple Assembly                            |
| 11          | 03-0571-00  | Screw, 1/4-20 x 1/4 T/C Hex Cap                 |
| 12          | 03-1417-05  | Lockwasher, 1/4 External Tooth                  |
| 13          | 18-3303-02  | Condenser Assembly (Water-Cooled)               |

**FD5**  
**THE PARTS ILLUSTRATION AND PARTS LISTINGS**

**FREEZER ASSEMBLY**

| ITEM NUMBER | PART NUMBER | DESCRIPTION  |
|-------------|-------------|--|
| 1           | 03-1558-03  | Retainer Ring  |
| 2           | A08162-000  | Cap Hook   |
| 3           | A07701-000  | Cap  |
| 4           | 03-0758-00  | Screw  |
| 5           | A07699-000  | Washer   |
| 6           | 02-1412-00  | Top Bearing—Matched Set                                    |
| 7           | 13-0617-16  | "O" Ring   |
| 8           | A14678-020  | Breaker with Bearing includes # 6-7-8                      |
| 9           | A29669-001  | Auger  |
| 10          | 03-1403-46  | Screw  |
| 11          | 03-1417-07  | Washer   |
| 12          | A26752-020  | Evaporator Shell includes Suction Line, No internal parts. |
| 13          | 02-1300-01  | Water Seal   |
| 14          | 02-0417-00  | Bearing, Lower   |
| 15          | 03-1410-04  | Washer, (3 Req'd)  |
| 16          | 03-1405-42  | Cap Screw (3 Req'd)  |
| 17          | 08-0595-01  | Adapter  |
| 18          | A29915-002  | Spline Drive Coupling                                      |
| 19          | 13-0709-01  | Shaft Drip Shield - Rubber                                 |
| 20          | 03-1505-00  | Gasket   |

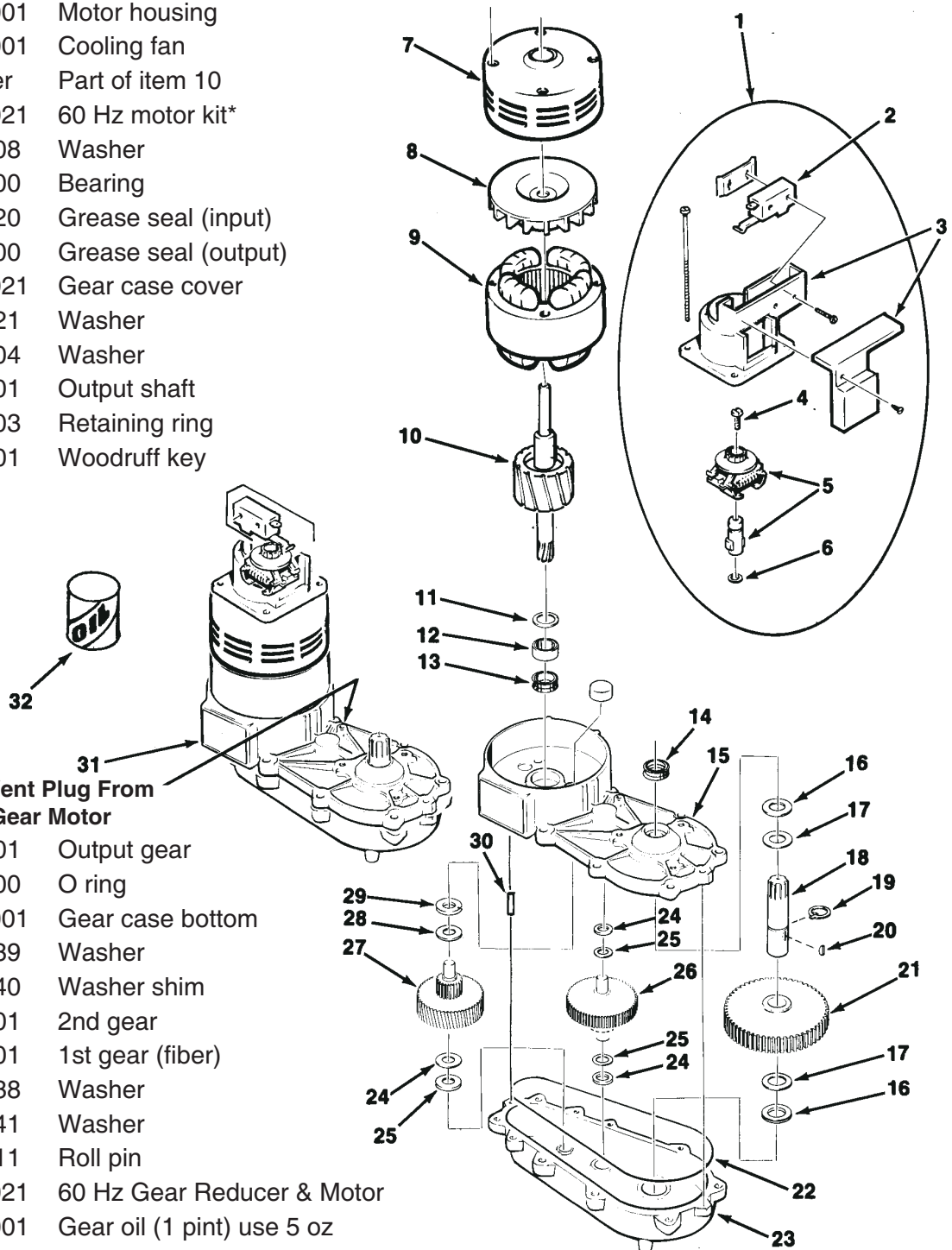


# FD5 Service Parts

## Gear Reducer and Motor

| Item Number | Part Number | Description            |
|-------------|-------------|------------------------|
| 1           | A27494-001  | Centrifugal switch kit |
| 2           | 12-2059-01  | Switch                 |
| 3           | A27494-001  | Housing                |
| 4           | 03-1403-77  | Screw                  |
| 5           | A30579-001  | Shaft & actuator       |
| 6           | 03-1408-36  | Washer                 |
| 7           | A38487-001  | Motor housing          |
| 8           | A28168-001  | Cooling fan            |
| 9           | no number   | Part of item 10        |
| 10          | A37707-021  | 60 Hz motor kit*       |
| 11          | 03-1408-08  | Washer                 |
| 12          | 02-1501-00  | Bearing                |
| 13          | 02-3969-20  | Grease seal (input)    |
| 14          | 02-1503-00  | Grease seal (output)   |
| 15          | A28165-021  | Gear case cover        |
| 16          | 03-1408-21  | Washer                 |
| 17          | 03-1408-04  | Washer                 |
| 18          | 02-2445-01  | Output shaft           |
| 19          | 03-1515-03  | Retaining ring         |
| 20          | 03-1602-01  | Woodruff key           |

\* includes items 7, 8, 9, 10, 11 and 12

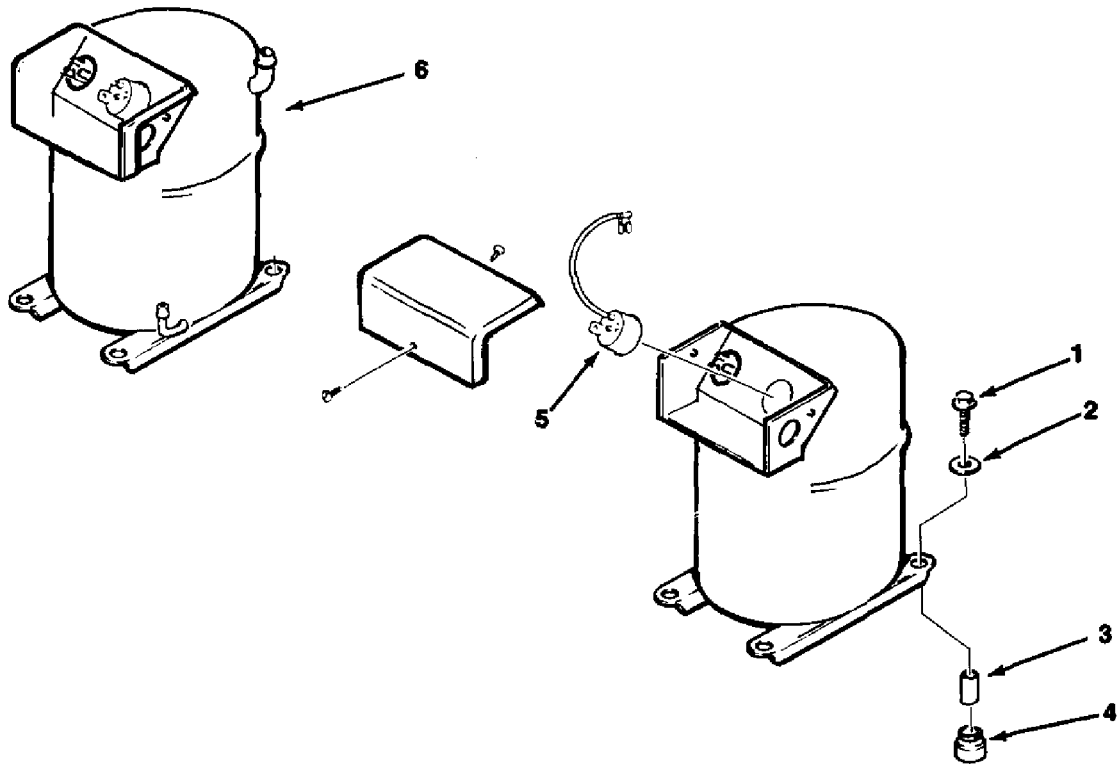


**Remove Rubber Vent Plug From Replacement Gear Motor**

|    |            |                            |
|----|------------|----------------------------|
| 21 | 02-2444-01 | Output gear                |
| 22 | 02-1505-00 | O ring                     |
| 23 | A28166-001 | Gear case bottom           |
| 24 | 03-1408-39 | Washer                     |
| 25 | 03-1408-40 | Washer shim                |
| 26 | 02-2439-01 | 2nd gear                   |
| 27 | 02-2438-01 | 1st gear (fiber)           |
| 28 | 03-1408-38 | Washer                     |
| 29 | 03-1408-41 | Washer                     |
| 30 | 03-0774-11 | Roll pin                   |
| 31 | A31977-021 | 60 Hz Gear Reducer & Motor |
| 32 | A25835-001 | Gear oil (1 pint) use 5 oz |



**FD5**  
**THE PARTS ILLUSTRATION AND PARTS LISTINGS**

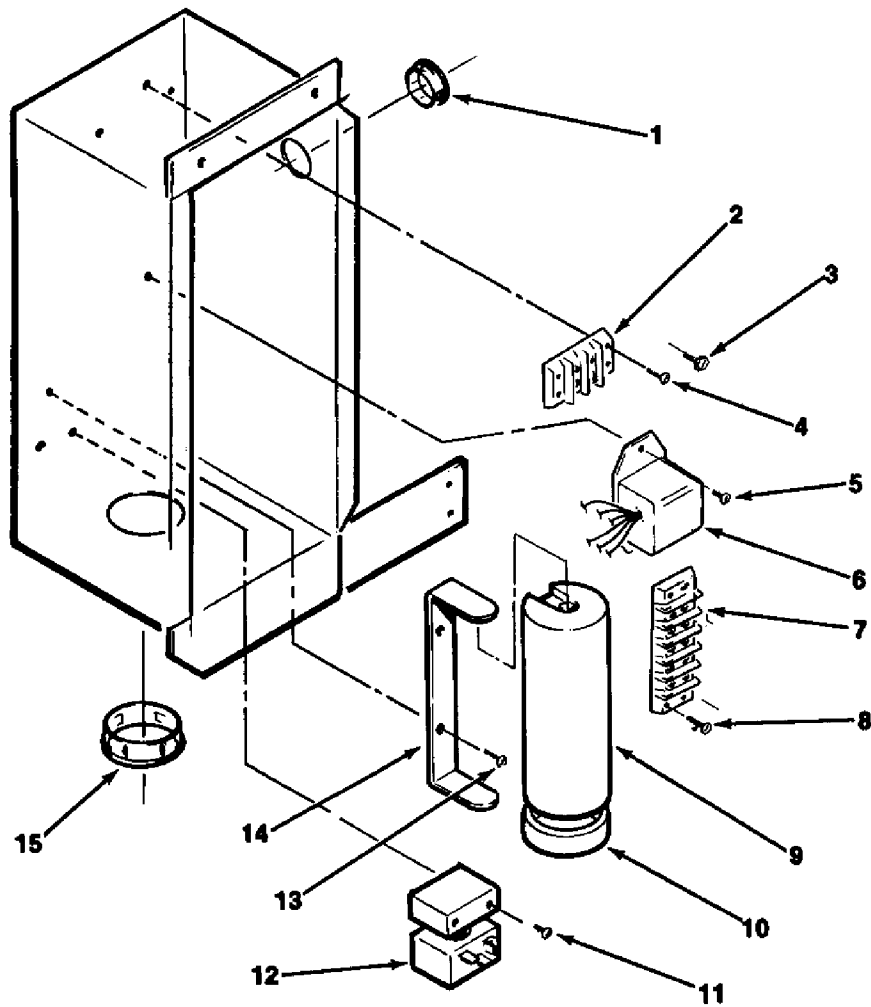


**COMPRESSOR ASSEMBLY**

| ITEM NUMBER | PART NUMBER | DESCRIPTION           |
|-------------|-------------|-----------------------|
| 1           | 03-1406-10  | Hex Nut               |
| 2           | 03-1407-07  | Plain Washer          |
| 3           | 18-2200-27  | Mounting Sleeve       |
| 4           | 18-2200-28  | Mounting Grommet      |
| 5           | 18-2200-25  | Overload              |
| 6           | 18-2200-01  | Compressor (Complete) |



**FD5**  
**THE PARTS ILLUSTRATION AND PARTS LISTINGS**



**CONTROL BOX ASSEMBLY**

| ITEM NUMBER | PART NUMBER | DESCRIPTION             |
|-------------|-------------|-------------------------|
| 1           | 12-1213-10  | Bushing                 |
| 2           | 12-0813-04  | Terminal Board          |
| 3           | 03-1578-01  | Ground Screw            |
|             | 03-1629-01  | Cup Washer              |
| 4           | 03-1403-21  | Screw, No. 8-32 x 3/4   |
| 5           | 03-1403-17  | Screw, No. 8-32 x 3/8   |
| 6           | A27857-001  | Time Delay Relay        |
| 7           | 12-0813-07  | Terminal Board          |
| 8           | 03-1403-21  | Screw, No. 8-32 x 3/4   |
| 9           | 18-1901-33  | Start Cap               |
| 10          | 18-3724-01  | Capacitor Cap           |
| 11          | 03-1403-10  | Screw, No. 6-32 x 1-1/4 |
| 12          | 18-2200-26  | Relay                   |
| 13          | 03-1418-30  | Screw, No. 8-32 x 1/2   |
| 14          | 18-2200-39  | Capacitor Bracket       |
| 15          | 12-1213-14  | Bushing                 |



