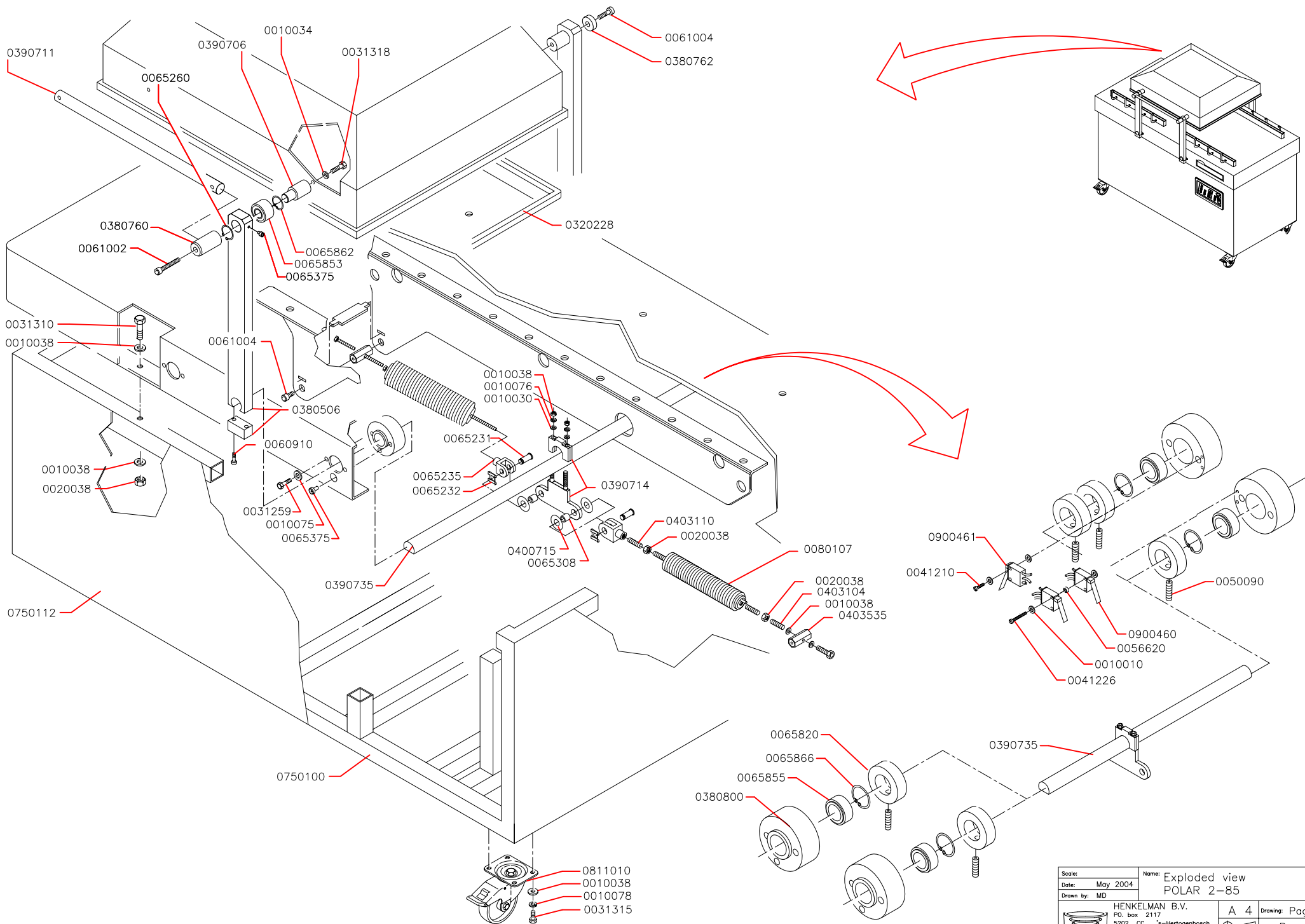
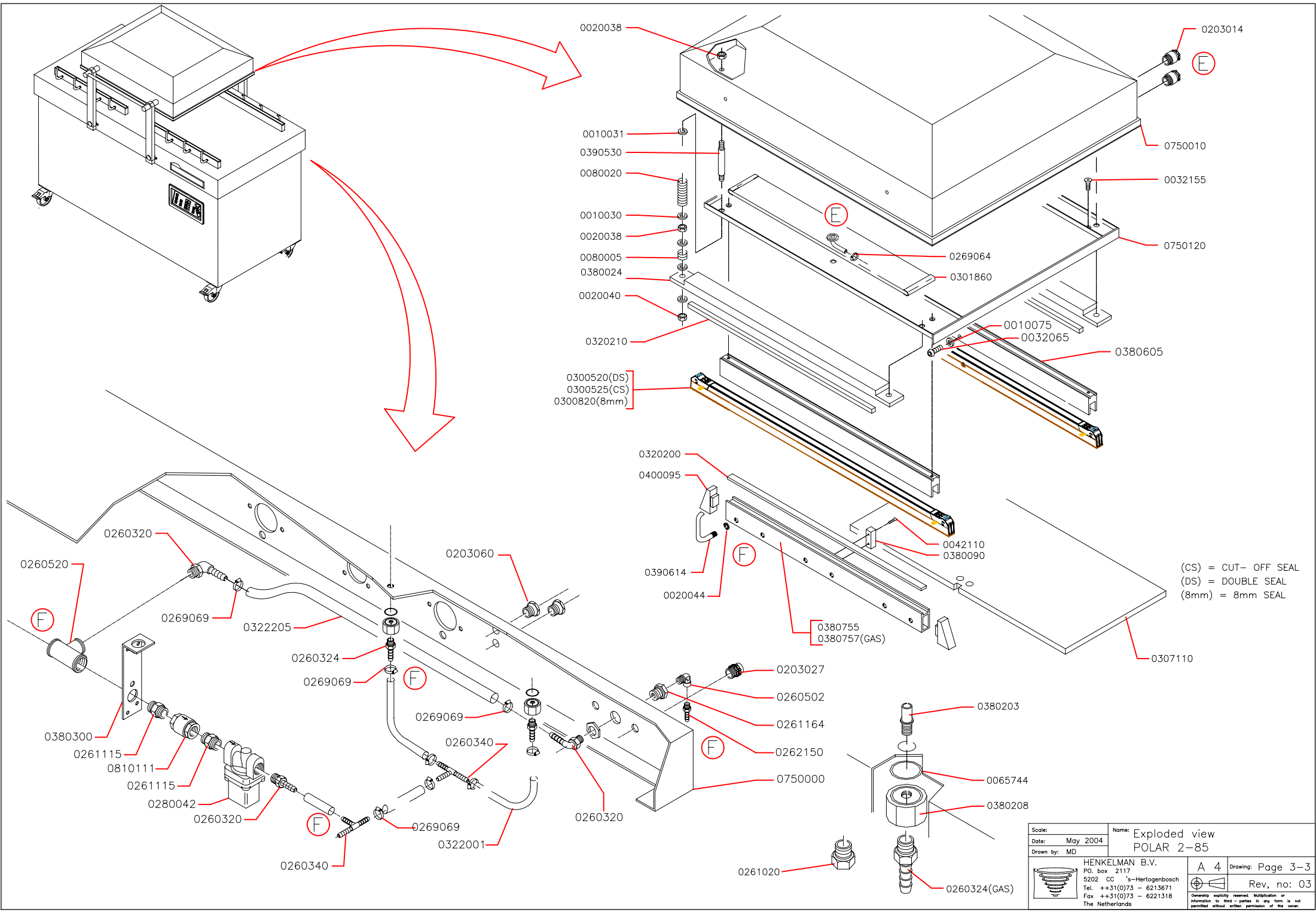


Scale:	Name: Exploded view
Date: May 2004	POLAR 2-85
Drawn by: MD	
HENKELMAN B.V. P.O. box 2117 5202 CC 's-Hertogenbosch Tel. ++31(0)73 - 6213671 Fax ++31(0)73 - 6221318 The Netherlands	
A 4	Drawing: Page 1-3
Rev. no: 03	
<small>Ownership explicitly reserved. Multiplication or information in third parties in any form is not permitted without written permission of the owner.</small>	

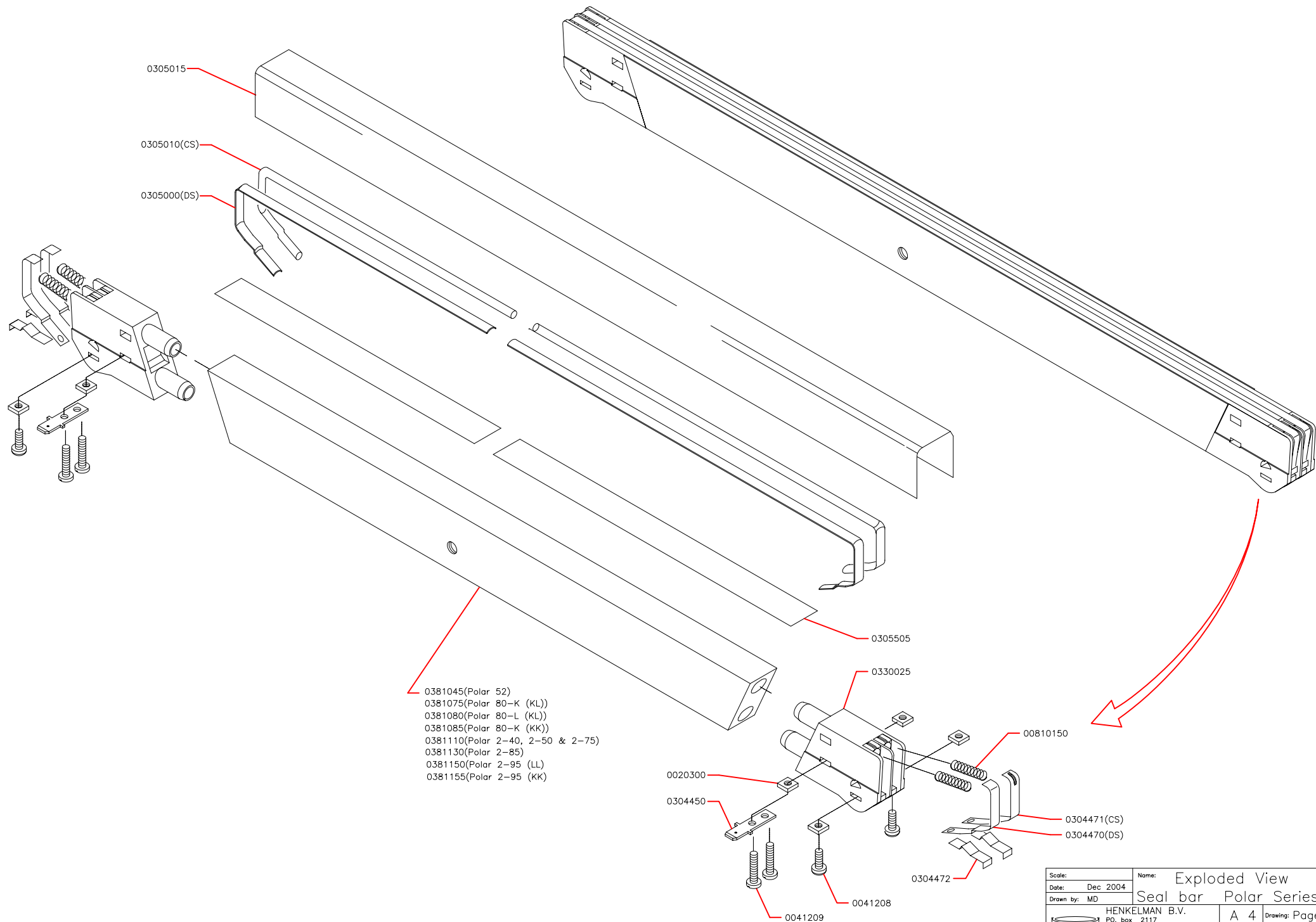


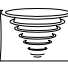
Scale:	Name:
Date: May 2004	Exploded view
Drawn by: MD	POLAR 2-85
HENKELMAN B.V. P.O. box 2117 5202 CC 's-Hertogenbosch Tel. ++31(0)73 - 6213671 Fax ++31(0)73 - 6221318 The Netherlands	
A 4	Drawing: Page 2-3
Rev. no: 03	

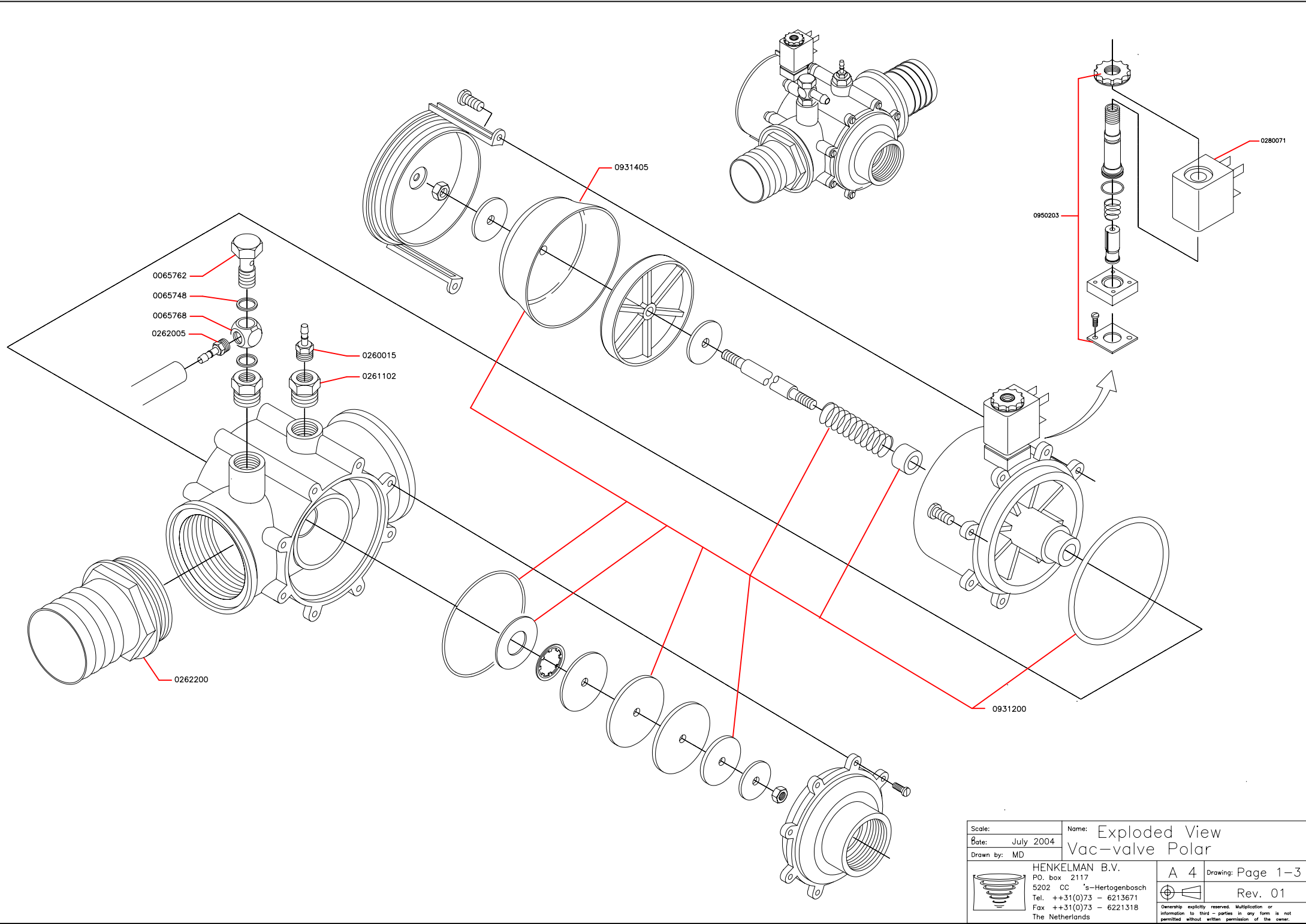


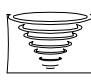
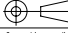
(CS) = CUT-OFF SEAL
 (DS) = DOUBLE SEAL
 (8mm) = 8mm SEAL

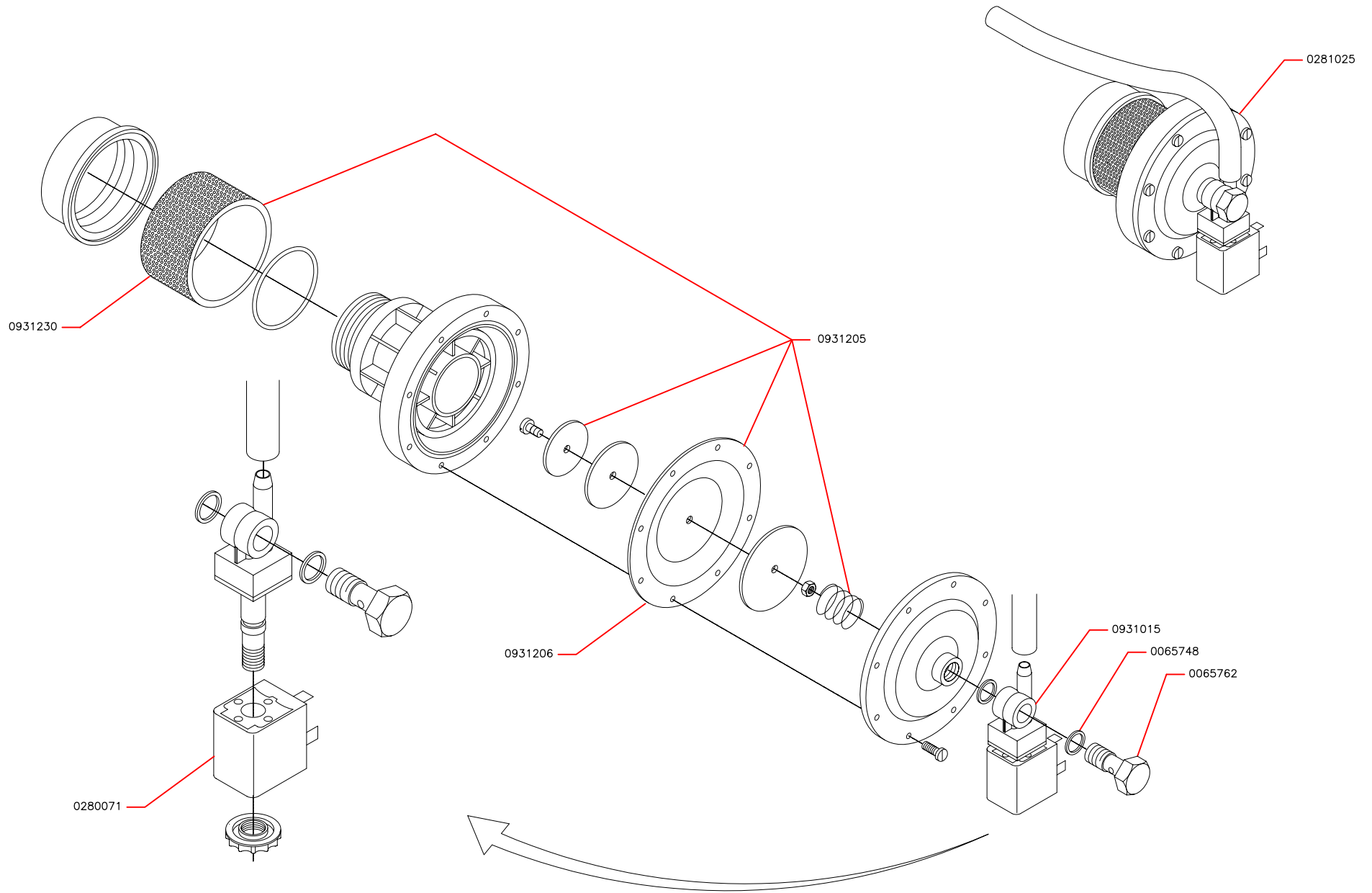
Scale:	Name: Exploded view
Date: May 2004	Rev. no: 03
Drawn by: MD	Page 3-3
HENKELMAN B.V. P.O. box 2117 5202 CC 's-Hertogenbosch Tel. ++31(0)73 - 6213671 Fax ++31(0)73 - 6221318 The Netherlands	



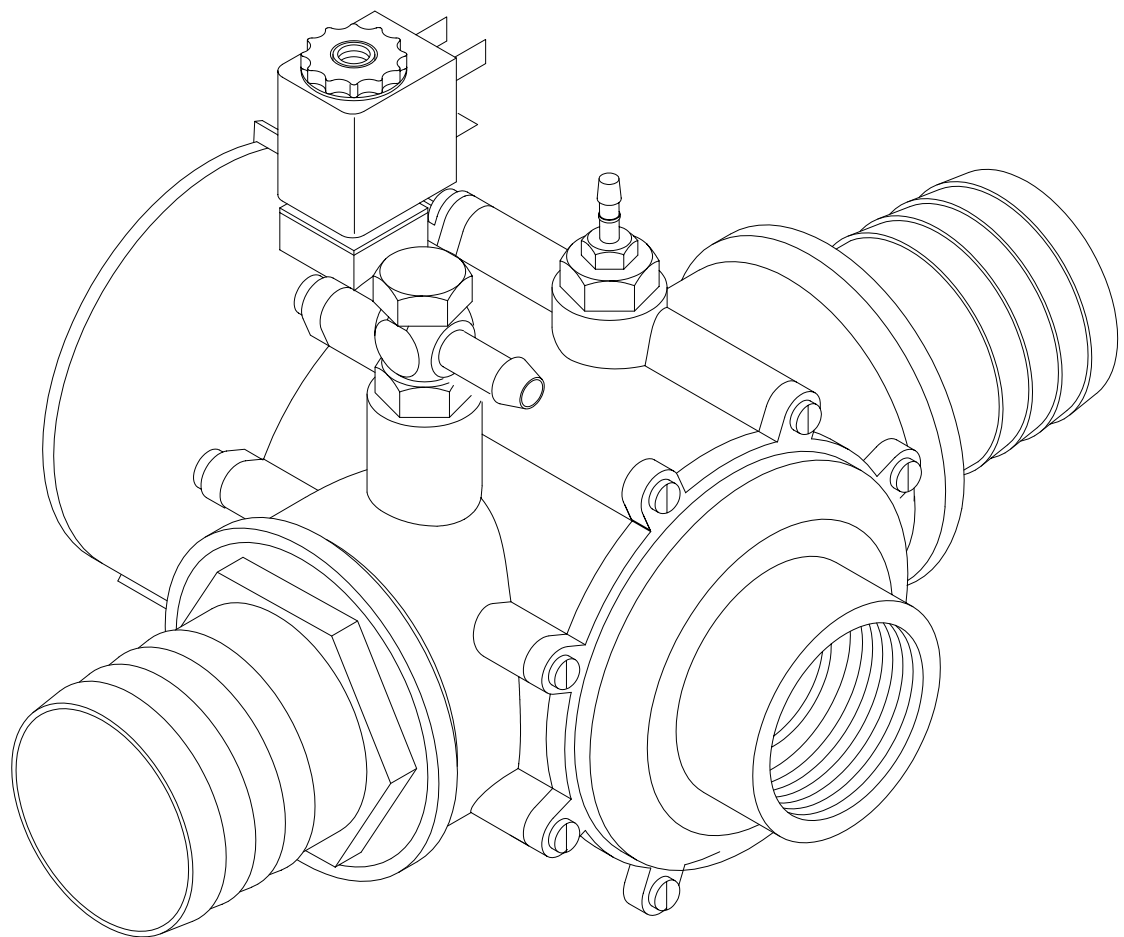
Scale:	Name:	Exploded View	
Date:	Dec 2004	Seal bar Polar Series	
Drawn by:	MD	A 4	Drawing: Page 1-1
HENKELMAN B.V. P.O. box 2117 5202 CC 's-Hertogenbosch Tel. ++31(0)73 - 6213671 Fax ++31(0)73 - 6221318 The Netherlands		 Rev. 01 <small>Ownership explicitly reserved. Multiplication or information to third parties in any form is not permitted without written permission of the owner.</small>	

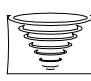
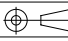


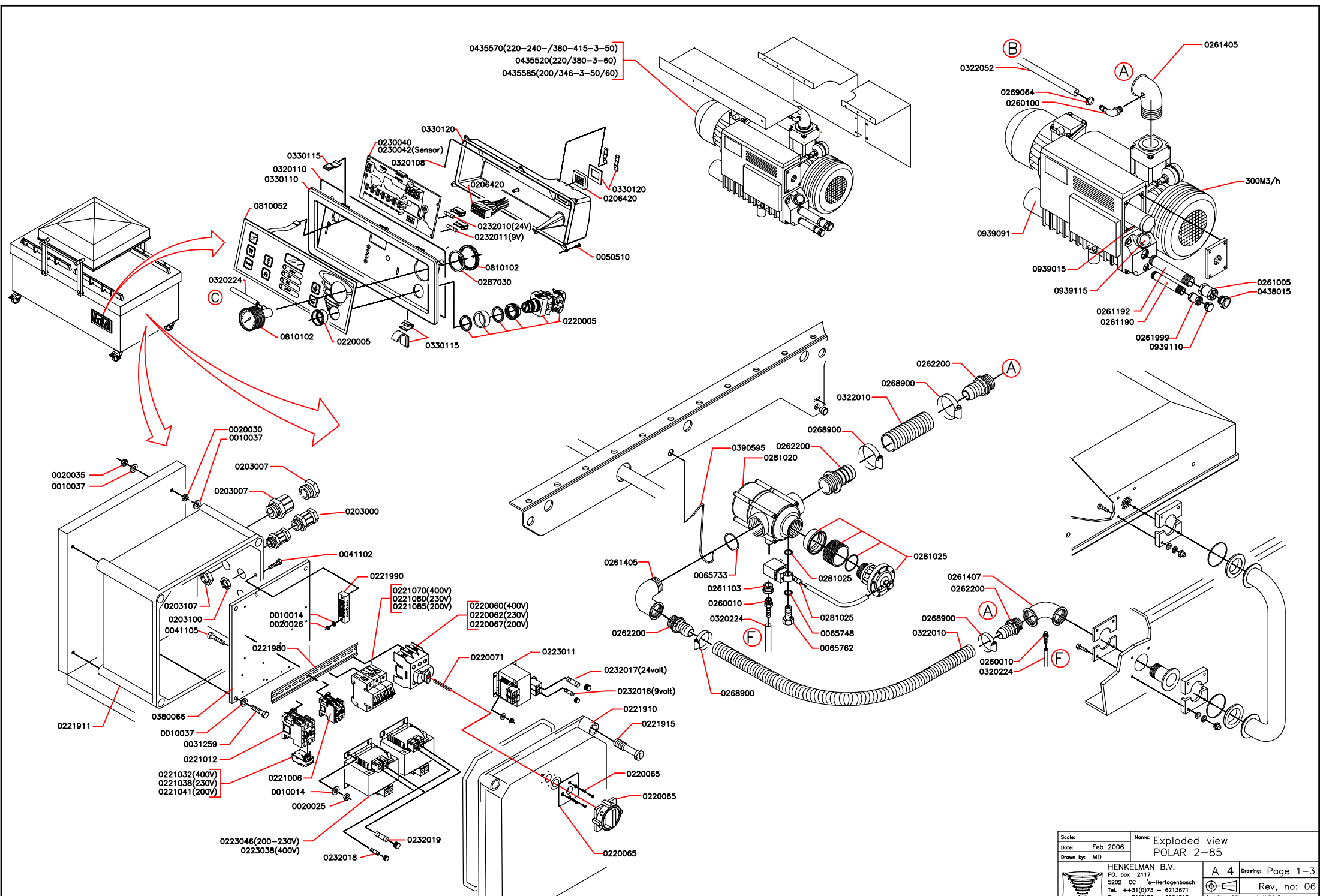
Scale:	Name: Exploded View Vac-valve Polar
Date: July 2004	
Drawn by: MD	
	HENKELMAN B.V.
	PO. box 2117
	5202 CC 's-Hertogenbosch
	Tel. ++31(0)73 - 6213671
	Fax ++31(0)73 - 6221318
	The Netherlands
A 4	Drawing: Page 1-3
	Rev. 01
<small>Ownership explicitly reserved. Multiplication or information to third parties in any form is not permitted without written permission of the owner.</small>	

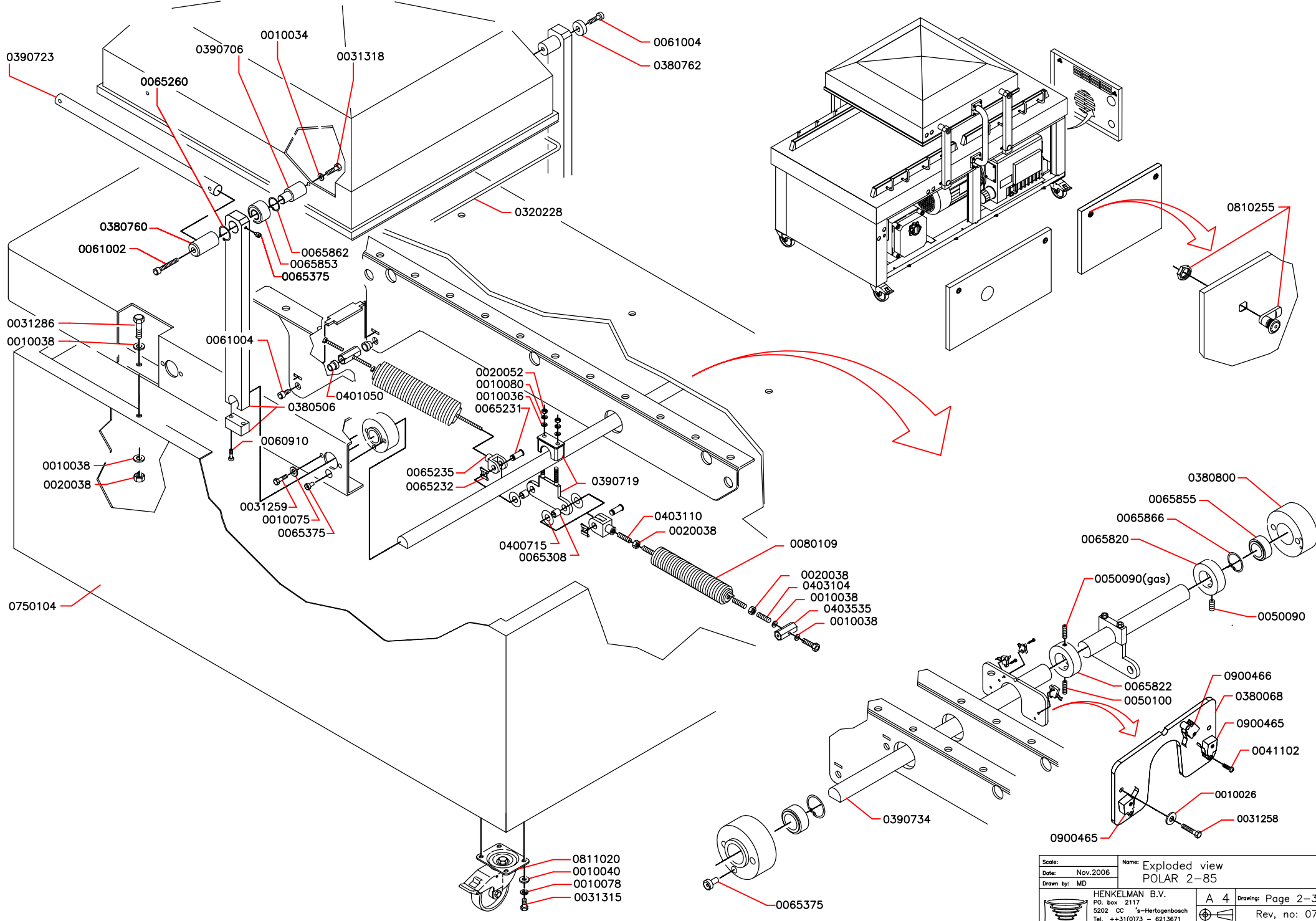


Scale:	Name: Exploded View
Date: July 2004	Decomp Valve Polar
Drawn by: MD	
HENKELMAN B.V. PO. box 2117 5202 CC 's-Hertogenbosch Tel. ++31(0)73 - 6213671 Fax ++31(0)73 - 6221318 The Netherlands	
A 4	Drawing: Page 2-3
	Rev. 01
<small>Ownership explicitly reserved. Multiplication or information to third parties in any form is not permitted without written permission of the owner.</small>	

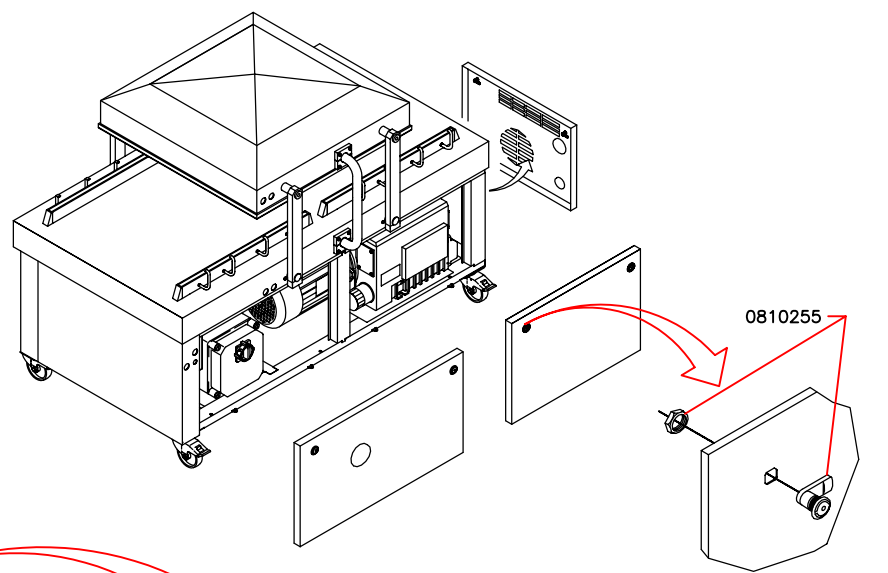


Scale:	Name: Exploded View
Date: July 2004	Vac-valve comp Polar
Drawn by: MD	
	HENKELMAN B.V. PO. box 2117 5202 CC 's-Hertogenbosch Tel. ++31(0)73 - 6213671 Fax ++31(0)73 - 6221318 The Netherlands
	A 4 Drawing: Page 3-3
	Rev. 01
<small>Ownership explicitly reserved. Multiplication or information to third parties in any form is not permitted without written permission of the owner.</small>	





- 0390723
- 0065260
- 0390706
- 0010034
- 0031318
- 0061004
- 0380762
- 0061002
- 0380760
- 0065862
- 0065853
- 0065375
- 0320228
- 0031286
- 0010038
- 0061004
- 0020052
- 0010080
- 0010036
- 0065231
- 0401050
- 0380506
- 0060910
- 0065235
- 0065232
- 0390719
- 0403110
- 0020038
- 0010038
- 0020038
- 0065375
- 0031259
- 0010075
- 0065375
- 0400715
- 0065308
- 0080109
- 0020038
- 0403104
- 0010038
- 0403535
- 0010038
- 0750104
- 0811020
- 0010040
- 0010078
- 0031315

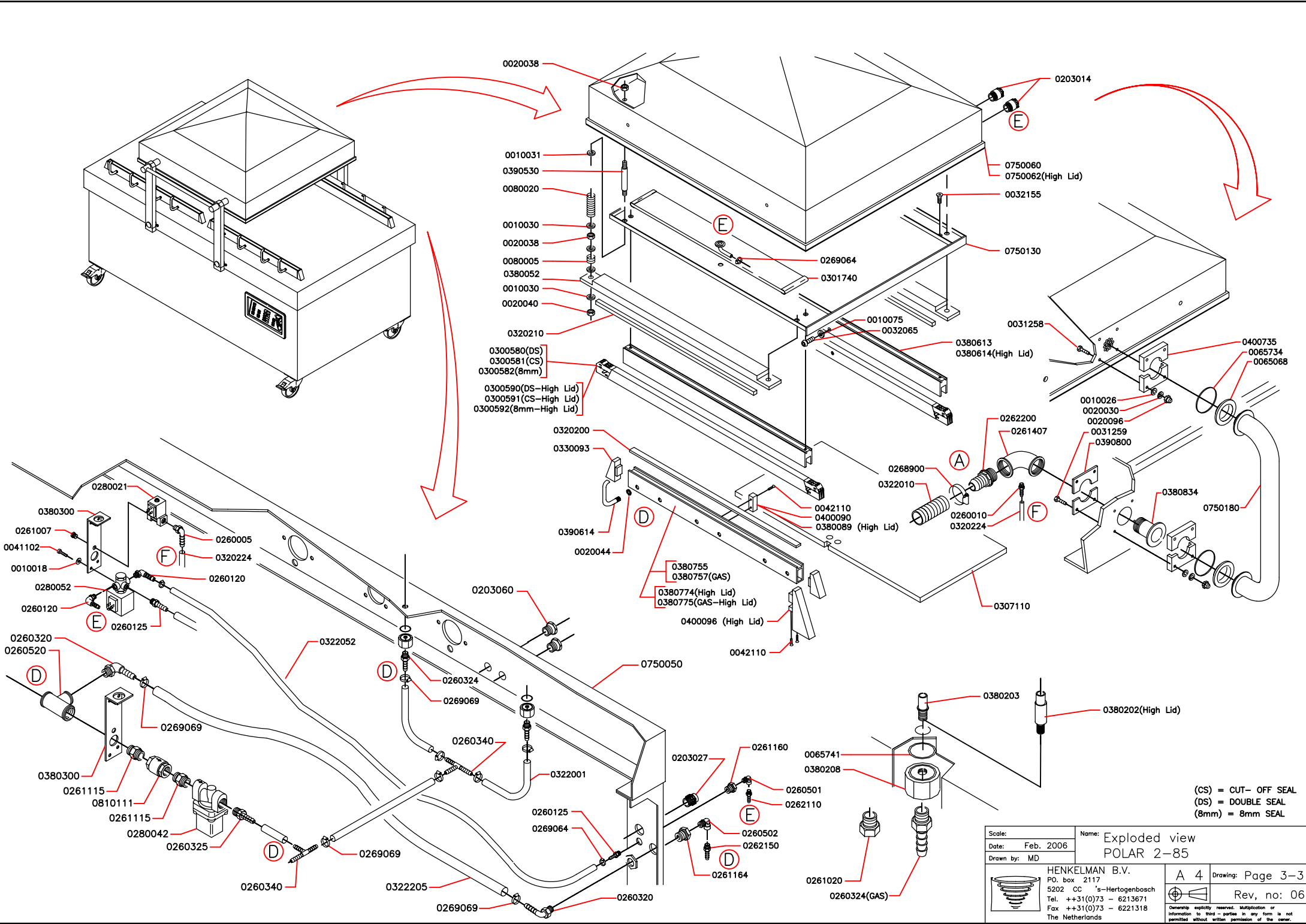


0810255

- 0380800
- 0065855
- 0065866
- 0065820
- 0050090(gas)
- 0050090
- 0900466
- 0065822
- 0050100
- 0380068
- 0900465
- 0041102
- 0010026
- 0031258
- 0900465

- 0020038
- 0403104
- 0010038
- 0403535
- 0010038
- 0390734
- 0065375

Scale:	Name:
Date: Nov.2006	Exploded view
Drawn by: MD	POLAR 2-85
HENKELMAN B.V.	
PO. box 2117	
5202 CC 's-Hertogenbosch	
Tel. ++31(0)73 - 6213671	
Fax ++31(0)73 - 6221318	
The Netherlands	
A 4	Drawing: Page 2-3
Rev. no: 07	



(CS) = CUT-OFF SEAL
 (DS) = DOUBLE SEAL
 (8mm) = 8mm SEAL

Scale:	Name: Exploded view
Date: Feb. 2006	POLAR 2-85
Drawn by: MD	
HENKELMAN B.V. P.O. box 2117 5202 CC 's-Hertogenbosch Tel. ++31(0)73 - 6213671 Fax ++31(0)73 - 6221318 The Netherlands	
A 4	Drawing: Page 3-3
Rev. no: 06	
Ownership explicitly reserved. Multiplication or information to third parties in any form is not permitted without written permission of the owner.	