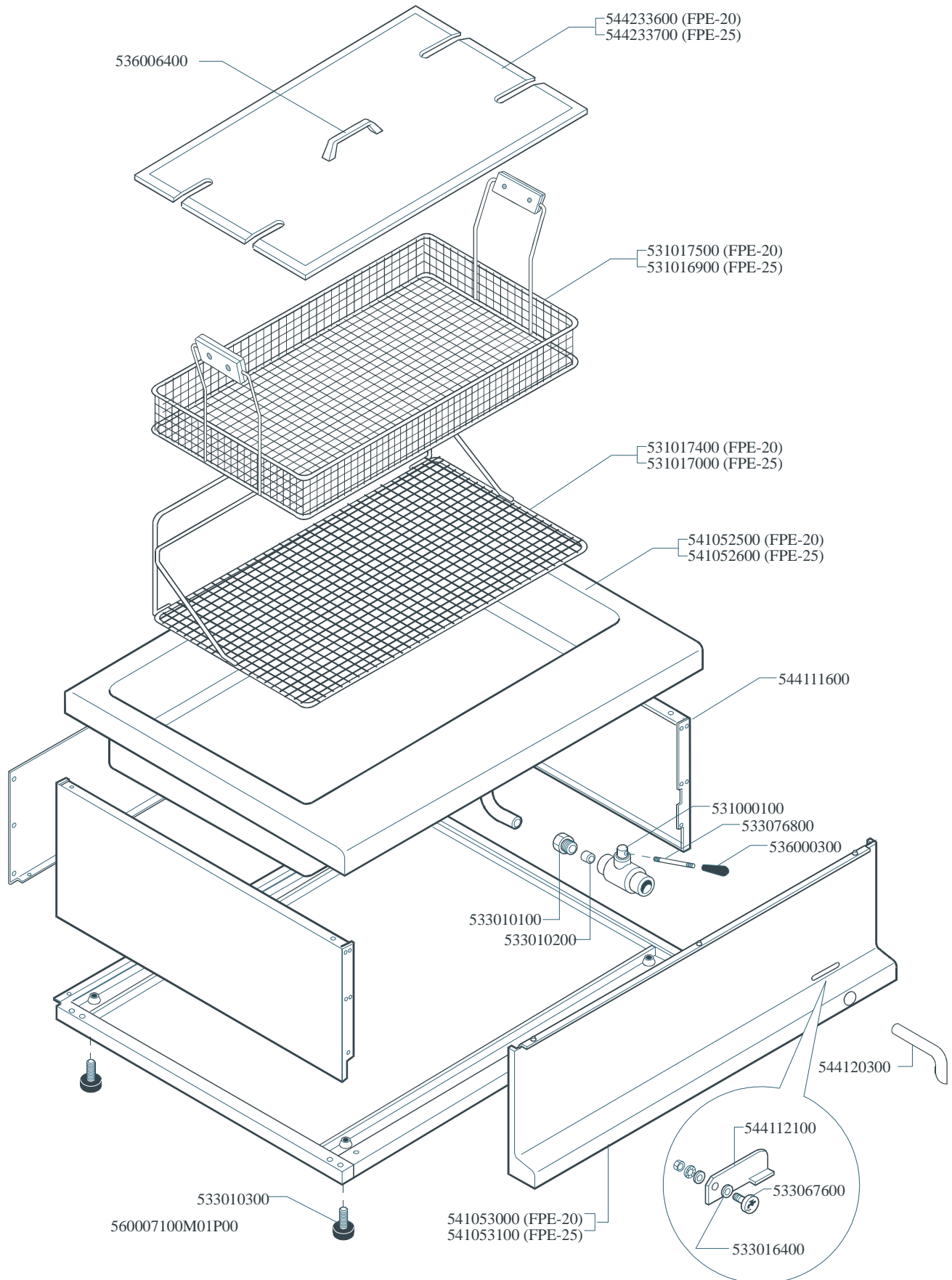
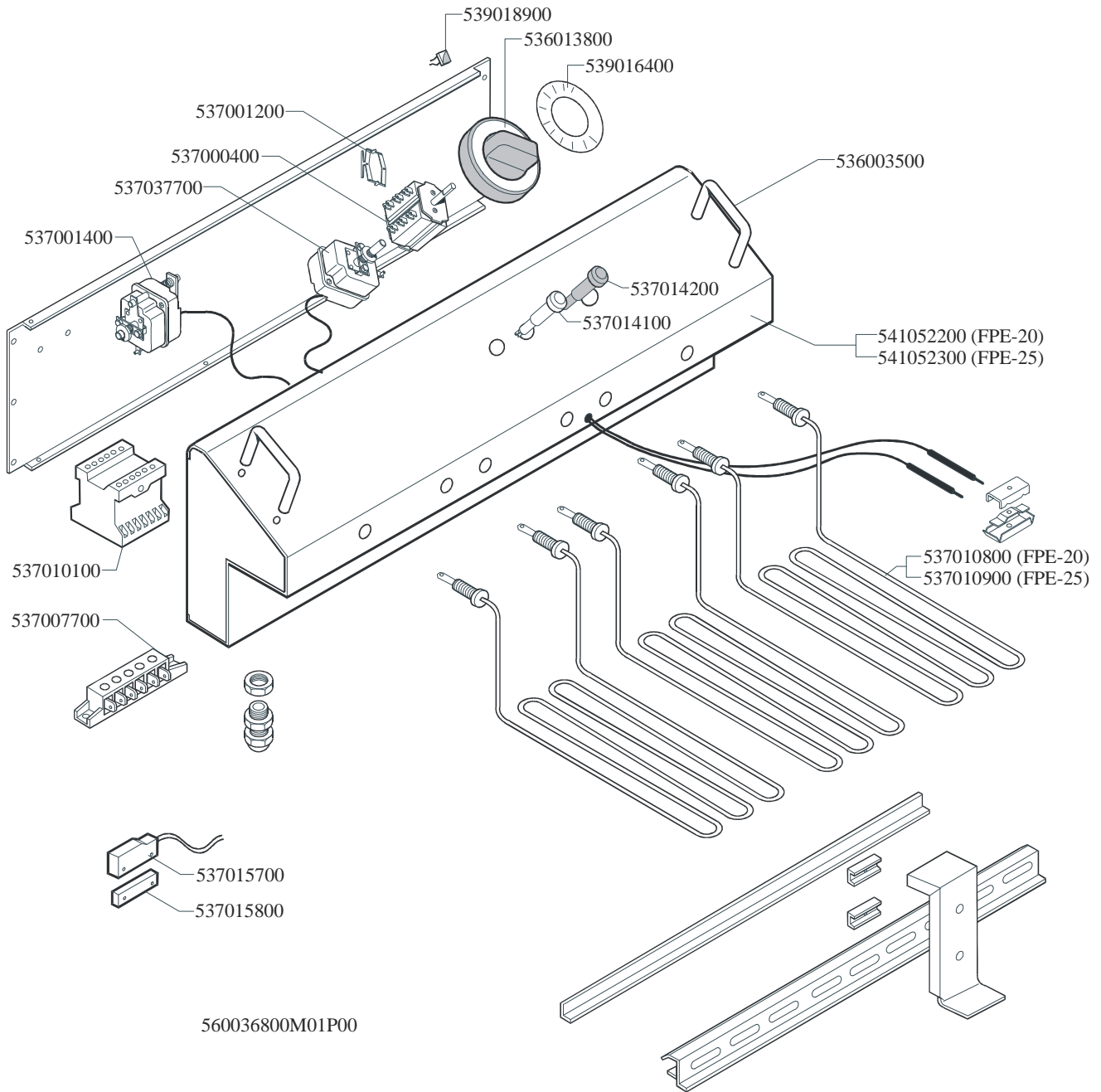


FPE-20≤07111005 FPE-25≤0711



FPE-20≤07111005 FPE-25≤0711



Page	Pos	Code	Description
001		536006400	BLACK HANDLE 65/FE/FG
001		544233600	TANK LID FPG/FPE-20
001		531017500	FRYER BASKET 60 465X350X80H FPG/E20
001		531017400	TANK FILTER/BASKET SUPPORT FPG-20
001		541052500	UPPER PLATE FPE-20
001		544111600	SIDE PANEL 700
001		531000100	DRAIN COCK 3/4"
001		533076800	HANDLE FOR DRAIN COCK 3/4"G
001		536000300	FIXED GRIP D.15*25*M6
001		533010100	3/4 D. 18 PIPE UNION
001		533010200	BICONE 18S
001		544120300	DRAIN PIPE 22 FOR COCK 3/4"G
001		544112100	COCK FIXING BRACKET FG-10
001		533067600	PIN FOR GRADUATED COCK BUSHING
001		533016400	COCK BUSHING
001		533010300	ADJUSTABLE FOOT M10*20 D.23
001		541053000	CONTROL PANEL FPE-20
002		539018900	INDEX FOR KNOB
002		536013800	KNOB D.70 BLACK 6*5 WITH SPRING
002		539016400	ADHESIVE GRADUATED DISC FOR KNOB
002		537001200	FIXING BRACKET FOR THERMOSTAT/COMM.
002		537000400	COMMUTATOR 1POS.SINGLEPHASE S49 16A
002		537037700	THERMOSTAT MONOPHASE 104-192°C
002		537001400	SAFETY THERMOSTAT 235°C THREEPHASE
002		536003500	RED HANDLE 60/SK
002		537014200	GREEN WARNING LIGHT 250V
002		537014100	WHITE WARNING LIGHT 250V
002		541052200	CONTROL PANEL UNIT FPE-20
002		537010100	REMOTE CONTROL SWITCH 20A 230V
002		537007700	TERMINAL BLOCK THREEPHASE 40A
002		537010800	HEATING ELEMENT W1800 V230 FP20/30
002		537015700	MAGNETIC SENSOR (SWITCH)
002		537015800	MAGNETIC UNIT FOR SENSOR