

532004100

544407200

3

537036500

537027400

541104501

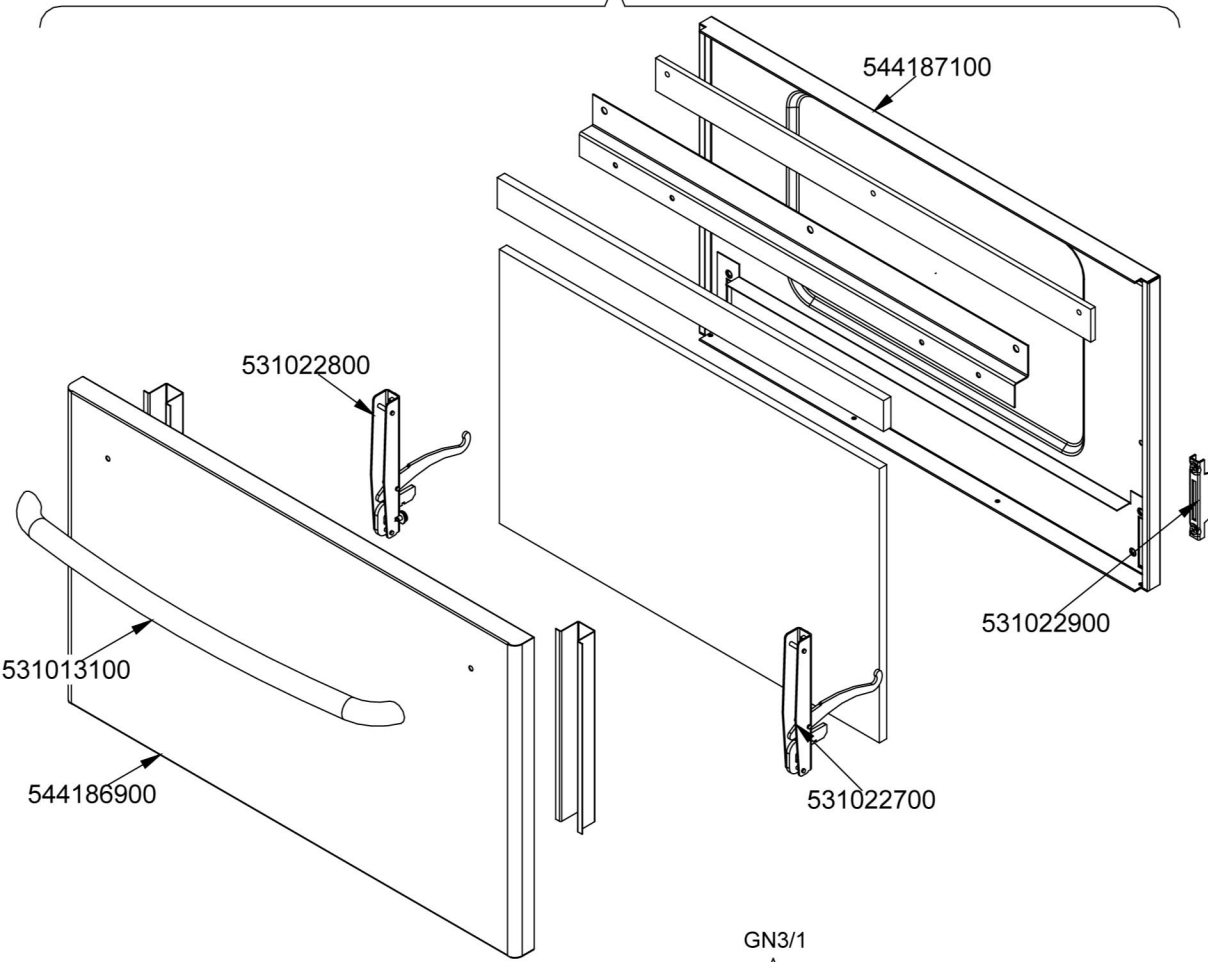
2

1

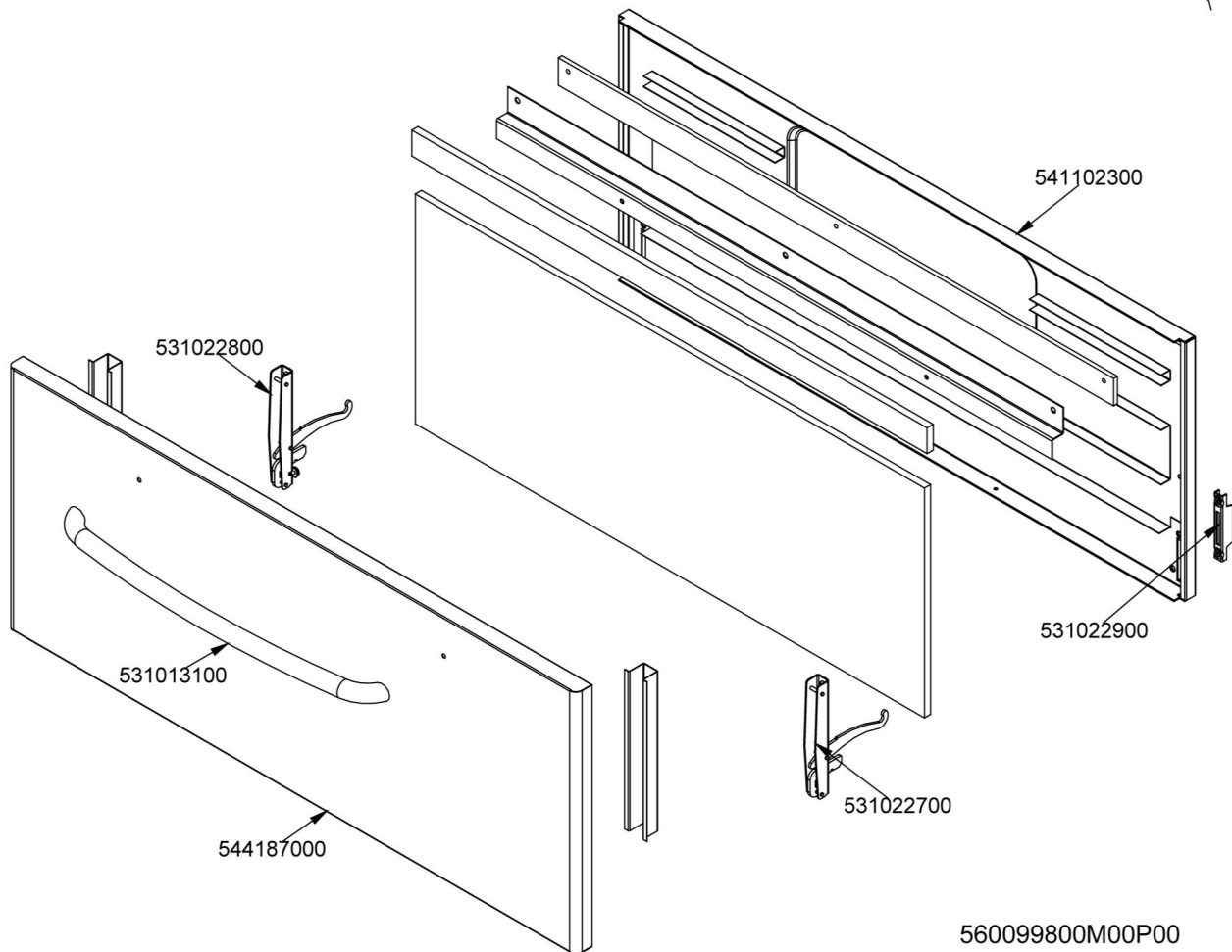
544407100

536005200

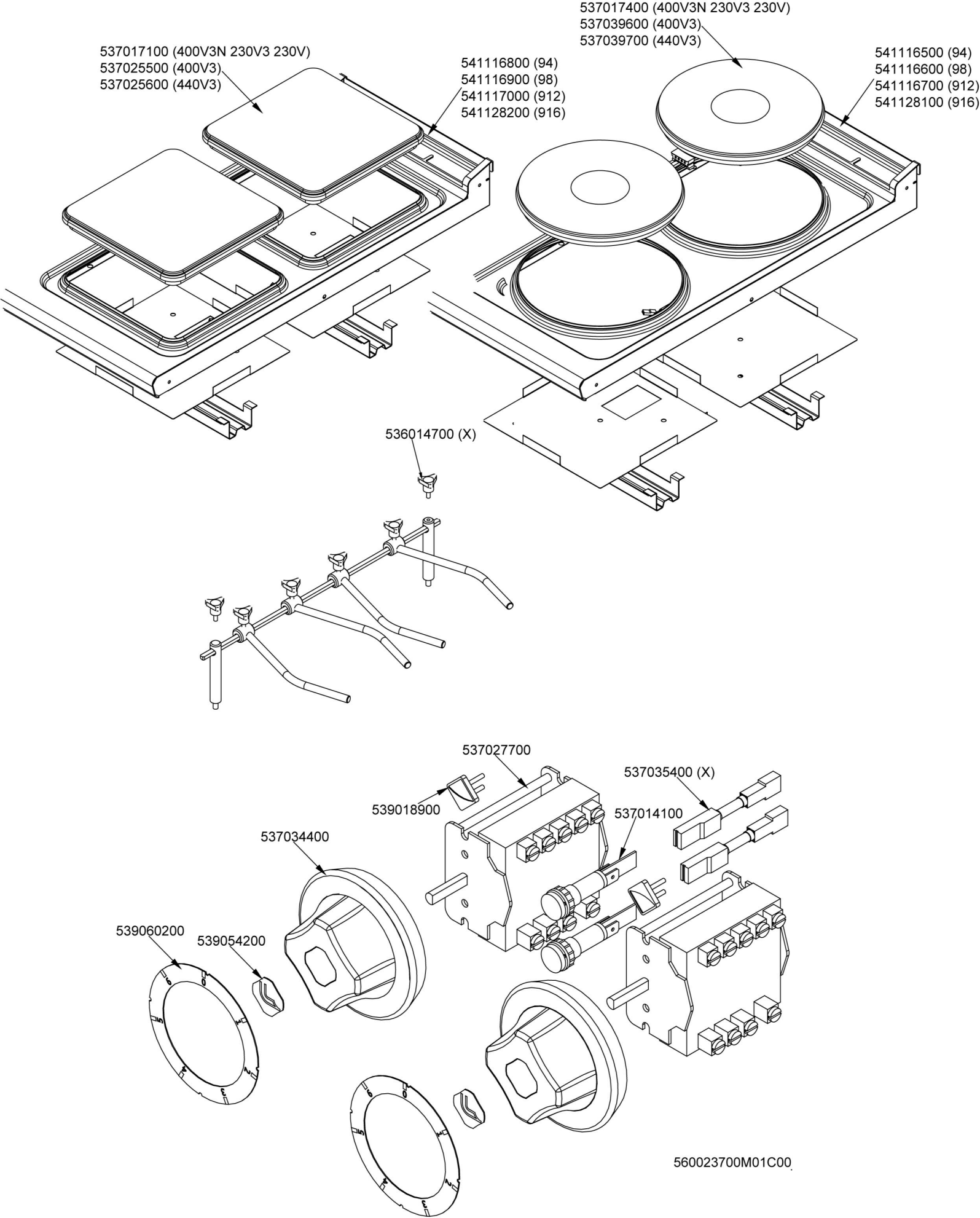
GN2/1

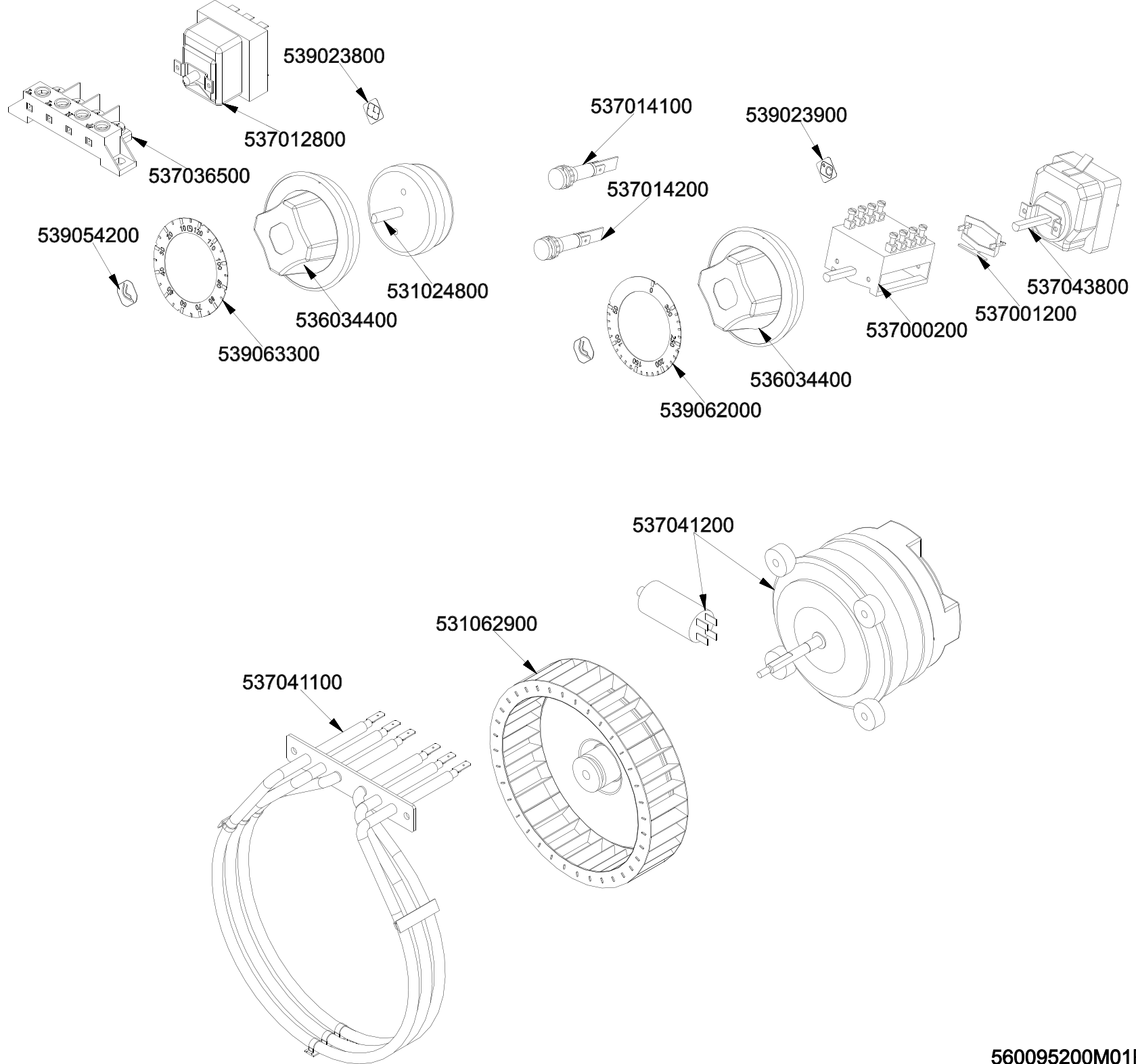


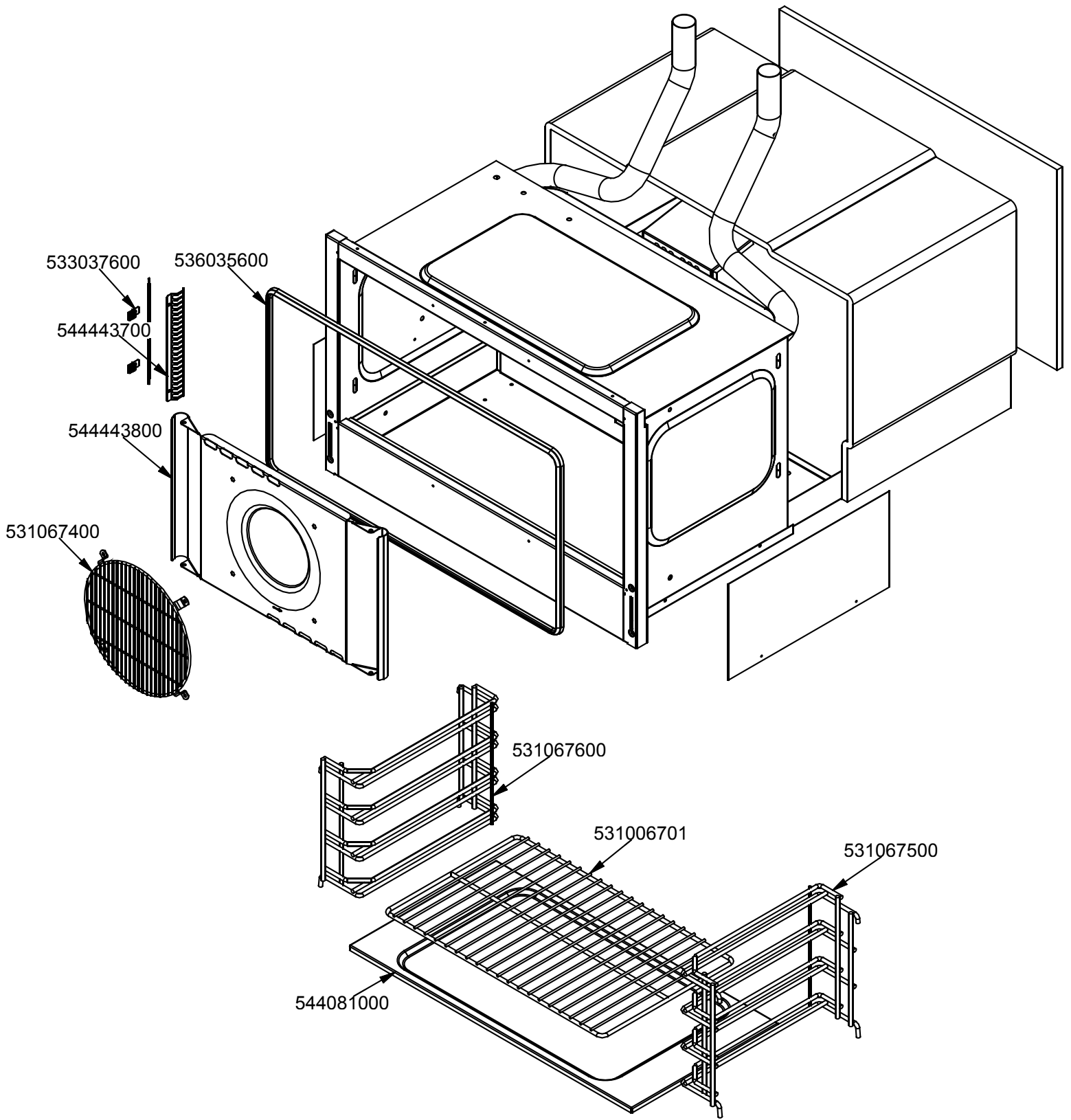
GN3/1



560099800M00P00







| Page | Pos | Code | Description |
|------|-----|-----------|-------------------------------------|
| 001 | | 532004100 | FLUE GRID L=370 90LINE (RAF |
| 001 | | 544407200 | RIGHT SIDE PANEL RANGE 70 LINE |
| 001 | | 537036500 | TERMINAL BLOCK 4POLES 40A SCREW-SCR |
| 001 | | 541104501 | CONTROL PANEL CF4-78E CFC4-78E C |
| 001 | | 544407100 | RIGHT SIDE PANEL RANGE 90 LINE |
| 001 | | 536005200 | INOX LEG 2" 120-180 M10 |
| 001 | | 537027400 | TERMINAL BLOCK THREEPHASE 40A |
| 002 | | 544187100 | OVEN INNER DOOR GN 2/1 70/90LINE |
| 002 | | 531022800 | LEFT OVEN DOOR HINGE S.70 |
| 002 | | 531013100 | OVEN DOOR HANDLE OF 70/90-LINE |
| 002 | | 544186900 | OVEN DOOR GN 2/1 70/90LINES |
| 002 | | 531022700 | RIGHT OVEN DOOR HINGE 70LINE |
| 002 | | 531022900 | HINGE DOOR WHEEL HOLDER S.70 |
| 002 | | 541102300 | GAS OVEN INNER DOOR GN 3/1 S.70 |
| 002 | | 544187000 | OVEN DOOR GN 3/1 S.70 |
| 003 | | 541116500 | UPPER PLATE PC-94E |
| 003 | | 541116600 | UPPER PLATE PC-98E CF4-98ET |
| 003 | | 541116700 | UPPER PLATE PC-912ET CF6-912ET/ETV |
| 003 | | 541128100 | UPPER PLATE PC-916ET |
| 003 | | 537017400 | ELECTRICAL PLATE D.300 W3500 V230 |
| 003 | | 537039600 | ELECTRICAL PLATE D.300 W3500 V400 |
| 003 | | 537039700 | ELECTRICAL PLATE D.300 W3500 V440 |
| 003 | | 541116800 | UPPER PLATE PCQ-94E |
| 003 | | 541116900 | UPPER PLATE PCQ-98E CFQ4-98ET |
| 003 | | 541117000 | UPPER PLATE PCQ-912E CFQ6-912ET/ETV |
| 003 | | 541128200 | UPPER PLATE PCQ-916ET |
| 003 | | 537017100 | PLATE 300X300 W4000 V230 |
| 003 | | 537025500 | PLATE 300X300 W4000 V400 |
| 003 | | 537025600 | PLATE 300X300 W4000 V440 |
| 003 | | 536014700 | 3 DRILL WHEELS |
| 003 | | 537035400 | HEATING ELEMENT 00003W 330KOHM W/F |
| 003 | | 537014100 | WHITE WARNING LIGHT 250V |
| 003 | | 537027700 | COMMUTATOR 7 POSITIONS S.43 32A |
| 003 | | 539018900 | INDEX FOR KNOB W/RED SIGN |
| 003 | | 537034400 | HEATING EL. 470X270 9500W230V |
| 003 | | 539054200 | STAMP Ø20,5 CR."L" LOTUS R. |
| 003 | | 539060200 | RED ADESIVE DISK FOR PC-E |
| 004 | | 539023800 | LABEL FOR OVEN TIMER |
| 004 | | 537014100 | WHITE WARNING LIGHT 250V |
| 004 | | 539023900 | SIGN PLATE FOR OVEN TEMPERATURE |
| 004 | | 537012800 | SAFETY THERMOSTAT 420°C THREEPHASE |
| 004 | | 537014200 | GREEN WARNING LIGHT 250V |
| 004 | | 537036500 | TERMINAL BLOCK 4POLES 40A SCREW-SCR |
| 004 | | 539054200 | STAMP O20,5 CR."L" LOTUS R. |
| 004 | | 537043800 | THERMOSTAT 48/300°C THREEPHASE |
| 004 | | 537001200 | FIXING BRACKET FOR THERMOSTAT/COMM. |
| 004 | | 531024800 | TIMER 120'- 360° |
| 004 | | 536034400 | KNOB §77 4P. §06*4,6 C/M |
| 004 | | 537000200 | COMMUTATOR 1 POS. 3PHASE S.49 16A |
| 004 | | 539063300 | ADESIVE DISK FOR TYMER GREY |
| 004 | | 539062000 | ADESIVE DISK THERMOSTAT OVEN S70 |

| Page | Pos | Code | Description |
|------|-----|-----------|-------------------------------------|
| 004 | | 537041200 | S70 MOTORFAN |
| 004 | | 531062900 | OVEN FAN O180 S.70 |
| 004 | | 537041100 | HEATING ELEMENT 5200W 230V3 OVEN |
| 005 | | 533037600 | LOCK SPRING FOR BULB |
| 005 | | 536035600 | OVEN GASKET GN 2/1 |
| 005 | | 544443800 | 55 ELECRCIC OVEN BOTTOM GN1/1 |
| 005 | | 531067400 | PROTECTION GRID FOR FAN OVEN*S70 |
| 005 | | 531067600 | LHD GRIDS HOLDER FOR GN1/1-OVEN S70 |
| 005 | | 531006701 | MAXI OVEN GRID FOR S60/65 |
| 005 | | 531067500 | RHD GRIDS HOLDER FOR GN1/1-OVEN S70 |
| 005 | | 544081000 | 55 ELECRCIC OVEN BOTTOM GN1/1 |
| 005 | | 544443700 | PROTEZIONE BULBO FORNO VENTILATO |