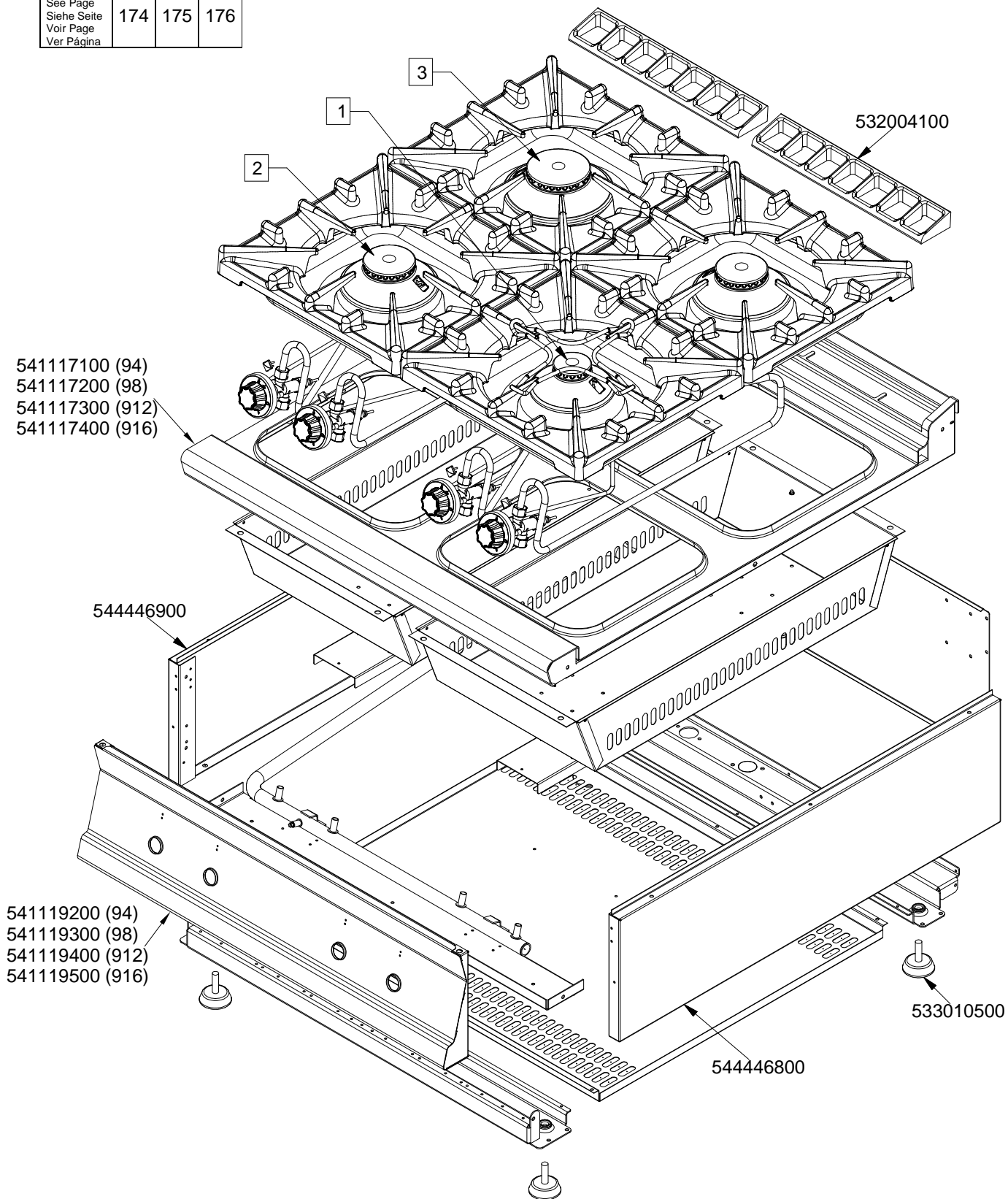


IPERLOTUS 90 TOP

GAS / GAS / GAS / GAZ

PCT-94G PCT-98G PCT-912G PCT-916G

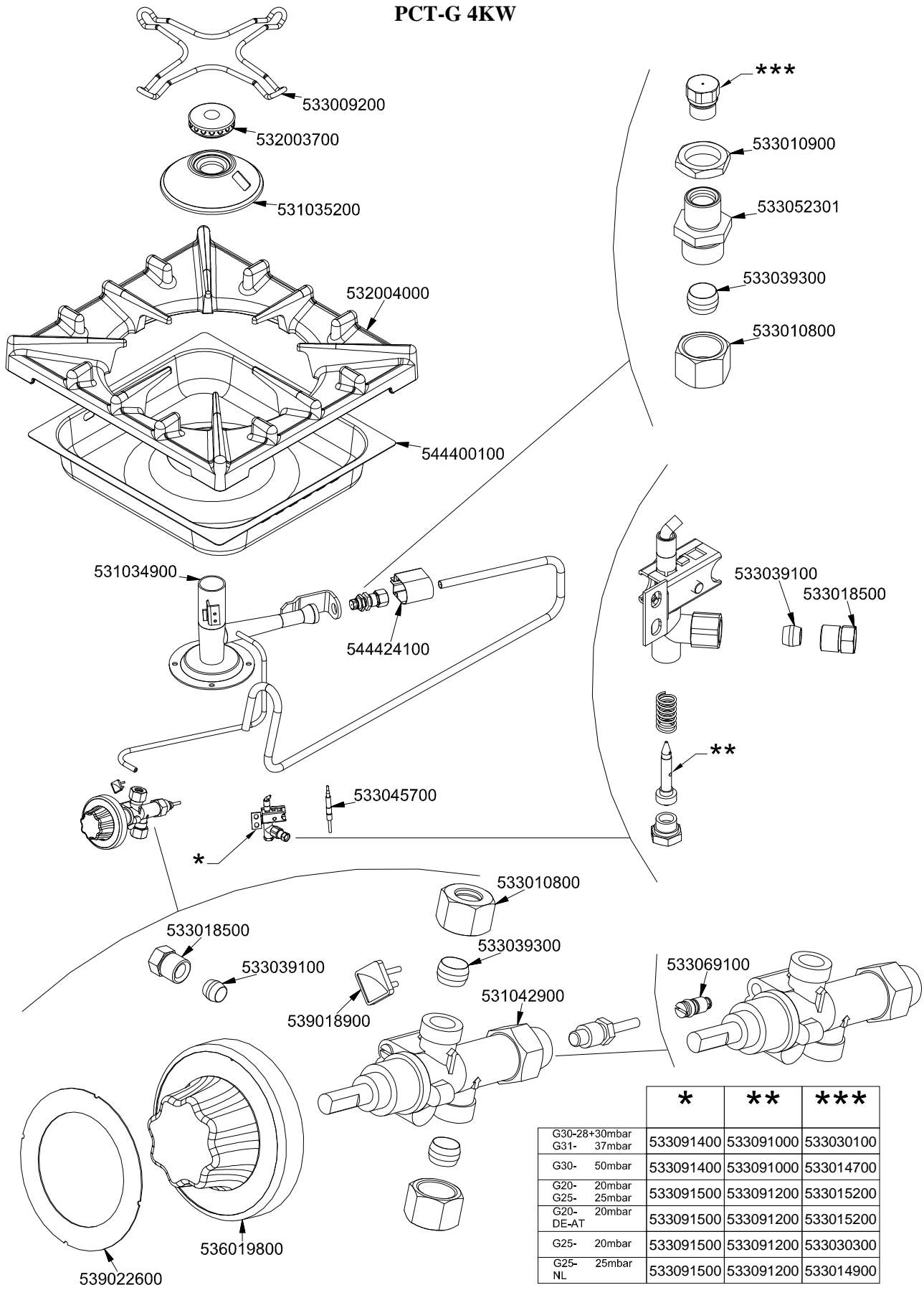
| | 1 | 2 | 3 |
|---|-----|-----|-----|
| Vedi Pagina See Page Siehe Seite Voir Page Ver Página | 174 | 175 | 176 |



560062400M00P00

IPERLOTUS 90 TOP
COMPONENTI COMUNI / STANDARDS PARTS / UEBLICHE TEILE / COMPOSANTS COMMUNS

PCT-G 4KW

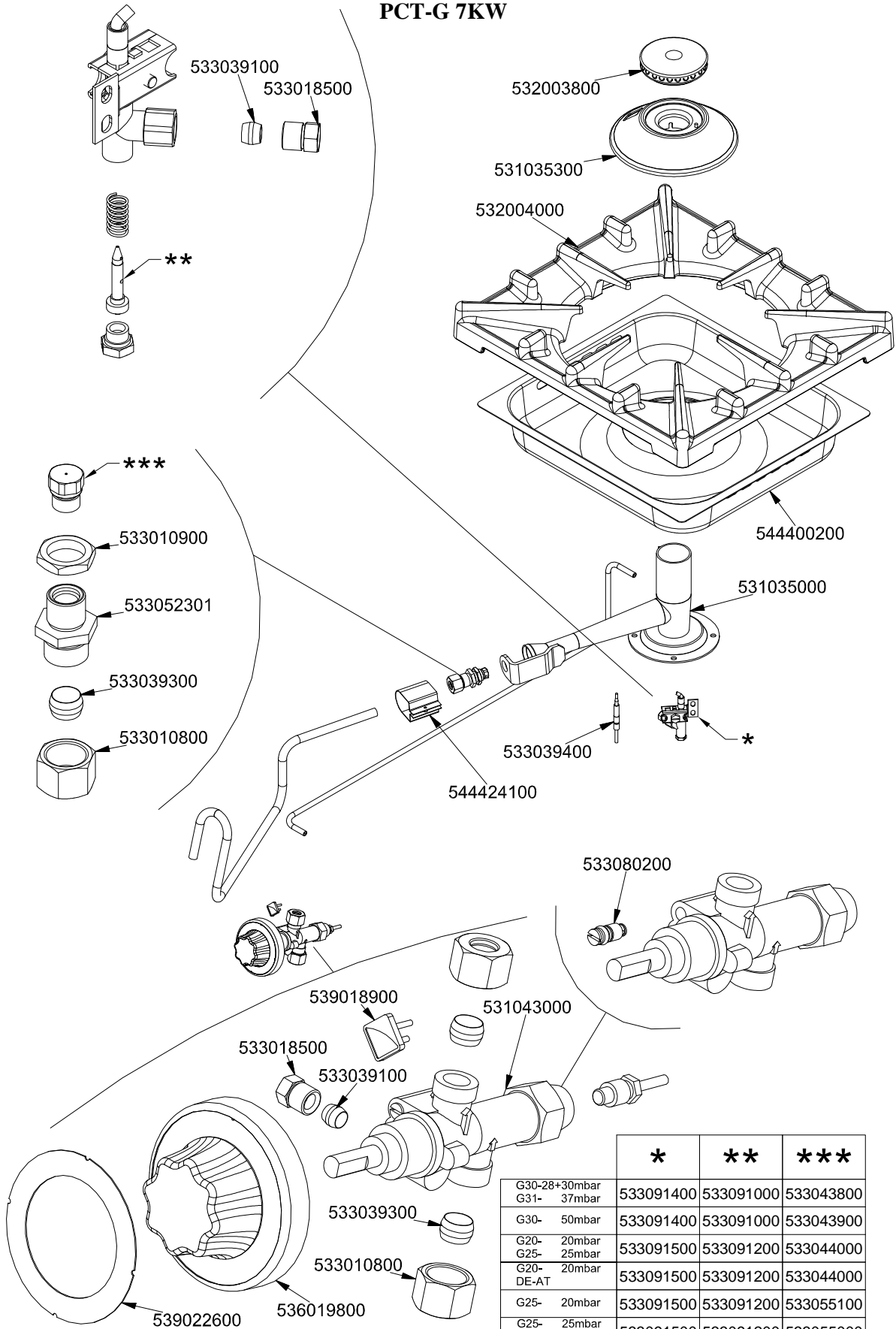


| | * | ** | *** |
|------------------------------|-----------|-----------|-----------|
| G30-28+30mbar G31- 37mbar | 533091400 | 533091000 | 533030100 |
| G30- 50mbar | 533091400 | 533091000 | 533014700 |
| G20- 20mbar G25- 25mbar | 533091500 | 533091200 | 533015200 |
| G20- 20mbar DE-AT | 533091500 | 533091200 | 533015200 |
| G25- 20mbar | 533091500 | 533091200 | 533030300 |
| G25- 25mbar NL | 533091500 | 533091200 | 533014900 |

560023100M00P00

IPERLOTUS 90 TOP
COMPONENTI COMUNI / STANDARDS PARTS / UEBLICHE TEILE / COMPOSANTS COMMUNS

PCT-G 7KW

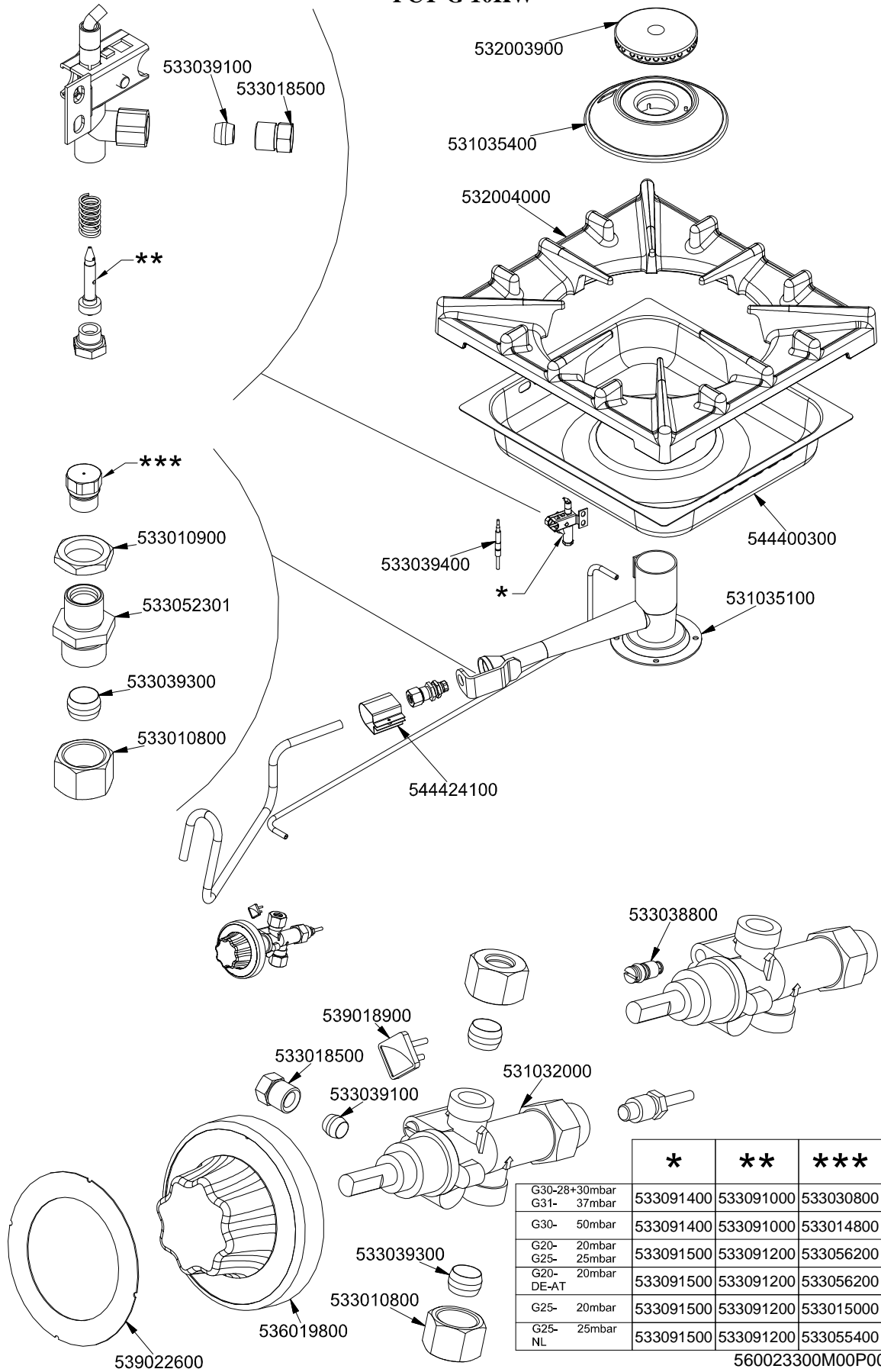


| | * | ** | *** |
|---------------|-----------|-----------|-----------|
| G30-28+30mbar | 533091400 | 533091000 | 533043800 |
| G31- 37mbar | | | |
| G30- 50mbar | 533091400 | 533091000 | 533043900 |
| G20- 20mbar | 533091500 | 533091200 | 533044000 |
| G25- 25mbar | | | |
| G20- 20mbar | 533091500 | 533091200 | 533044000 |
| DE-AT | | | |
| G25- 20mbar | 533091500 | 533091200 | 533055100 |
| G25- 25mbar | 533091500 | 533091200 | 533055000 |
| NL | | | |

560023200M00P00

IPERLOTUS 90 TOP
COMPONENTI COMUNI / STANDARDS PARTS / UEBLICHE TEILE / COMPOSANTS COMMUNS

PCT-G 10KW



| | * | ** | *** |
|---------------|-----------|-----------|-----------|
| G30-28+30mbar | 533091400 | 533091000 | 533030800 |
| G31- 37mbar | | | |
| G30- 50mbar | 533091400 | 533091000 | 533014800 |
| G20- 20mbar | 533091500 | 533091200 | 533056200 |
| G25- 25mbar | 533091500 | 533091200 | 533056200 |
| G20- 20mbar | 533091500 | 533091200 | 533056200 |
| G25- 20mbar | 533091500 | 533091200 | 533015000 |
| G25- 25mbar | 533091500 | 533091200 | 533055400 |

560023300M00P00

| Page | Pos | Code | Description |
|------|-----|-----------|-------------------------------------|
| 001 | | 541119400 | FRONT PANEL PC-912G |
| 001 | | 541117300 | UPPER PLATE PC-912G CF6-912G/GE/GEV |
| 001 | | 532004100 | FLUE GRID L=370 70LINE (RAF) |
| 001 | | 544446900 | |
| 001 | | 544446800 | |
| 001 | | 533010500 | LEG M10*25 D.40 |
| 002 | | 533030100 | NOZZLE §95 CH12*14 G-FP |
| 002 | | 533014700 | NOZZLE §85 CH12*14 F-FQ5 |
| 002 | | 533015200 | NOZZLE §145 CH12*14 F-FP/CP6 |
| 002 | | 533030300 | NOZZLE §160 CH12*14 M-FPG |
| 002 | | 533014900 | NOZZLE §150 CH12*14 F-FQ5 L-FQ6 |
| 002 | | 533091000 | NOZZLE 0.100 §20 |
| 002 | | 533091200 | PILOT NOZZLE 0100 Ø35 PIL.PC |
| 002 | | 533091400 | P.NOZZLE S100 UG.§20 PC90 LPG-FLUS |
| 002 | | 533091500 | PILOT NOZZLE S.100 §30 PC90 NAT.GAS |
| 002 | | 533009200 | REDUCTION FOR 65 AND 70 LINE |
| 002 | | 532003700 | BURNER COVER RING §060 |
| 002 | | 531035200 | SMALL BURNER BODY 90 LINE |
| 002 | | 532004000 | 1 FLAME GRILL 396X366 (90) |
| 002 | | 533010900 | NUT M14*1 H.4 |
| 002 | | 533052301 | JOINT FOR NOZZLE HOLDER |
| 002 | | 533039300 | BICONE §10 |
| 002 | | 533010800 | TUBE NUT D.10 M16*1,5 |
| 002 | | 544400100 | BURNER DRIP PAN 2/3 |
| 002 | | 531034900 | SMALL BURNER VENTURI 90 LINE |
| 002 | | 544424100 | |
| 002 | | 533039100 | BICONE §6 |
| 002 | | 533018500 | FITTING FOR BICONE D.6 M10*1 |
| 002 | | 533045700 | THERMOCOUPLE M9*1 500 |
| 002 | | 533069100 | BY PASS COCK §60 20S |
| 002 | | 531042900 | B.PASS §60 SAFETY COCK PC/CF 90 |
| 002 | | 536019800 | BLACK KNOB §70 PIN §8*6,5 |
| 002 | | 539022600 | GRADUATED STICKER FOR KNOB |
| 003 | | 533043800 | NOZZLE §130 CH12*14 G-CW4 |
| 003 | | 533043900 | NOZZLE §115 CH12*14 F-CW4 |
| 003 | | 533044000 | NOZZLE §195 CH12*14 M-CW4 |
| 003 | | 533055100 | NOZZLE §215 CH12*14 L-CW4 |
| 003 | | 533055000 | NOZZLE §205 CH12*14 G25 CW4 |
| 003 | | 533091000 | NOZZLE 0.100 §20 |
| 003 | | 533091200 | PILOT NOZZLE 0100 Ø35 PIL.PC |
| 003 | | 533091400 | P.NOZZLE S100 UG.§20 PC90 LPG-FLUS |
| 003 | | 533091500 | PILOT NOZZLE S.100 §30 PC90 NAT.GAS |
| 003 | | 533039100 | BICONE §6 |
| 003 | | 533018500 | FITTING FOR BICONE D.6 M10*1 |
| 003 | | 532003800 | BURNER COVER RING §082 |
| 003 | | 531035300 | MEDIUM BURNER BODY 90 LINE |
| 003 | | 532004000 | 1 FLAME GRILL 396X366 (90) |
| 003 | | 544400200 | BURNER DRIP PAN 2/3 |
| 003 | | 531035000 | MEDIUM BURNER VENTURI 90 LINE |
| 003 | | 533010900 | NUT M14*1 H.4 |
| 003 | | 533052301 | JOINT FOR NOZZLE HOLDER |

| Page | Pos | Code | Description |
|------|-----|-----------|-------------------------------------|
| 003 | | 533039300 | BICONE §10 |
| 003 | | 533010800 | TUBE NUT D.10 M16*1,5 |
| 003 | | 533039400 | THERMOCOUPLE M9*1*850 |
| 003 | | 544424100 | |
| 003 | | 533080200 | BY PASS COCK §65 20S-21S |
| 003 | | 539018900 | INDEX FOR KNOB |
| 003 | | 531043000 | GAS COCK 21S P.V. BY-PASS §065 |
| 003 | | 536019800 | BLACK KNOB §70 PIN §8*6,5 |
| 003 | | 539022600 | GRADUATED STICKER FOR KNOB |
| 004 | | 533030800 | NOZZLE §155 CH12X14 M-CW |
| 004 | | 533014800 | NOZZLE §135 CH12*14,0 |
| 004 | | 533056200 | NOZZLE §230 CH12*14 |
| 004 | | 533015000 | NOZZLE D.I 260 G110 (TOWN GAS) |
| 004 | | 533055400 | NOZZLE §245 CH12*14 |
| 004 | | 533091000 | NOZZLE 0.100 §20 |
| 004 | | 533091200 | PILOT NOZZLE 0100 Ø35 PIL.PC |
| 004 | | 533091400 | P.NOZZLE S100 UG.§20 PC90 LPG-FLUS |
| 004 | | 533091500 | PILOT NOZZLE S.100 §30 PC90 NAT.GAS |
| 004 | | 532003900 | BURNER COVER RING §100 |
| 004 | | 531035400 | BIG BURNER BODY 90 LINE |
| 004 | | 532004000 | 1 FLAME GRILL 396X366 (90) |
| 004 | | 533039100 | BICONE §6 |
| 004 | | 533018500 | FITTING FOR BICONE D.6 M10*1 |
| 004 | | 533039400 | THERMOCOUPLE M9*1*850 |
| 004 | | 544400300 | BURNER DRIP PAN 2/3 |
| 004 | | 531035100 | BIG BURNER VENTURI 90 LINE |
| 004 | | 533010900 | NUT M14*1 H.4 |
| 004 | | 533052301 | JOINT FOR NOZZLE HOLDER |
| 004 | | 533039300 | BICONE §10 |
| 004 | | 533010800 | TUBE NUT D.10 M16*1,5 |
| 004 | | 544424100 | |
| 004 | | 533038800 | 75 BY-PASS FOR 21S TAP |
| 004 | | 539018900 | INDEX FOR KNOB |
| 004 | | 531032000 | GAS COCK P.V.BY-PASS Ø075 |
| 004 | | 536019800 | BLACK KNOB §70 PIN §8*6,5 |