

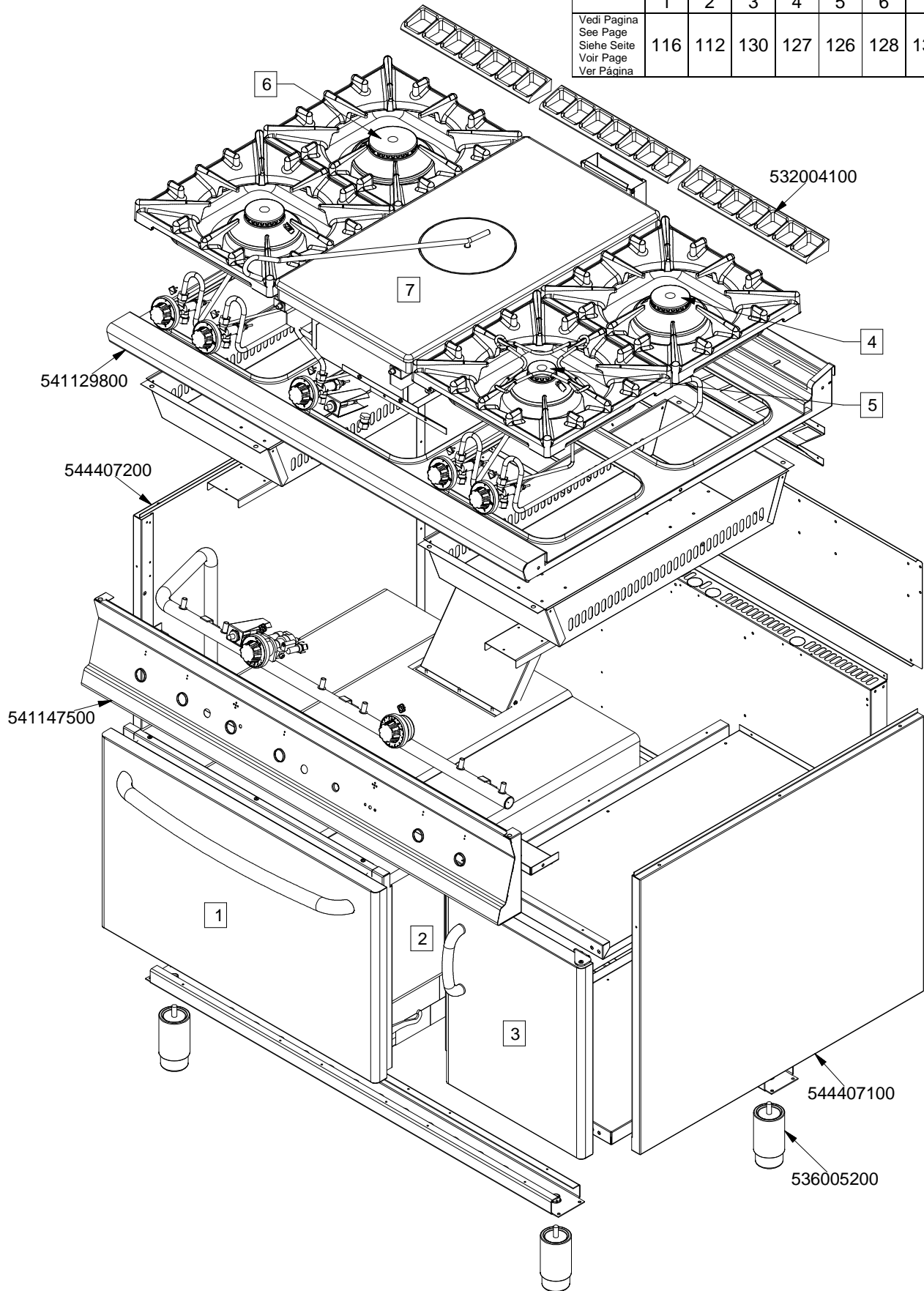
IPERLOTUS 90

CUCINE / RANGES / HERDE / CUISINIÈRES

TPF...

TPF4-912GV

| | 1 | 2 | 3 | 4 | 5 | 6 | 7 |
|---|-----|-----|-----|-----|-----|-----|-----|
| Vedi Pagina See Page Siehe Seite Voir Page Ver Pàgina | 116 | 112 | 130 | 127 | 126 | 128 | 132 |



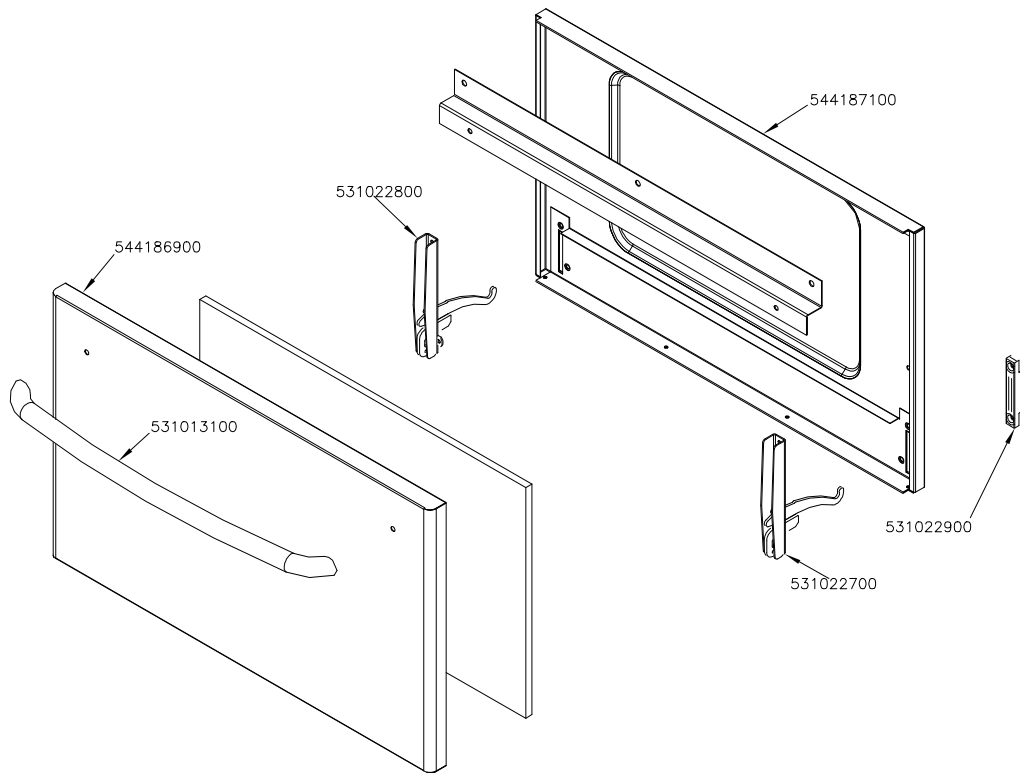
560044300M00P00

IPERLOTUS 90

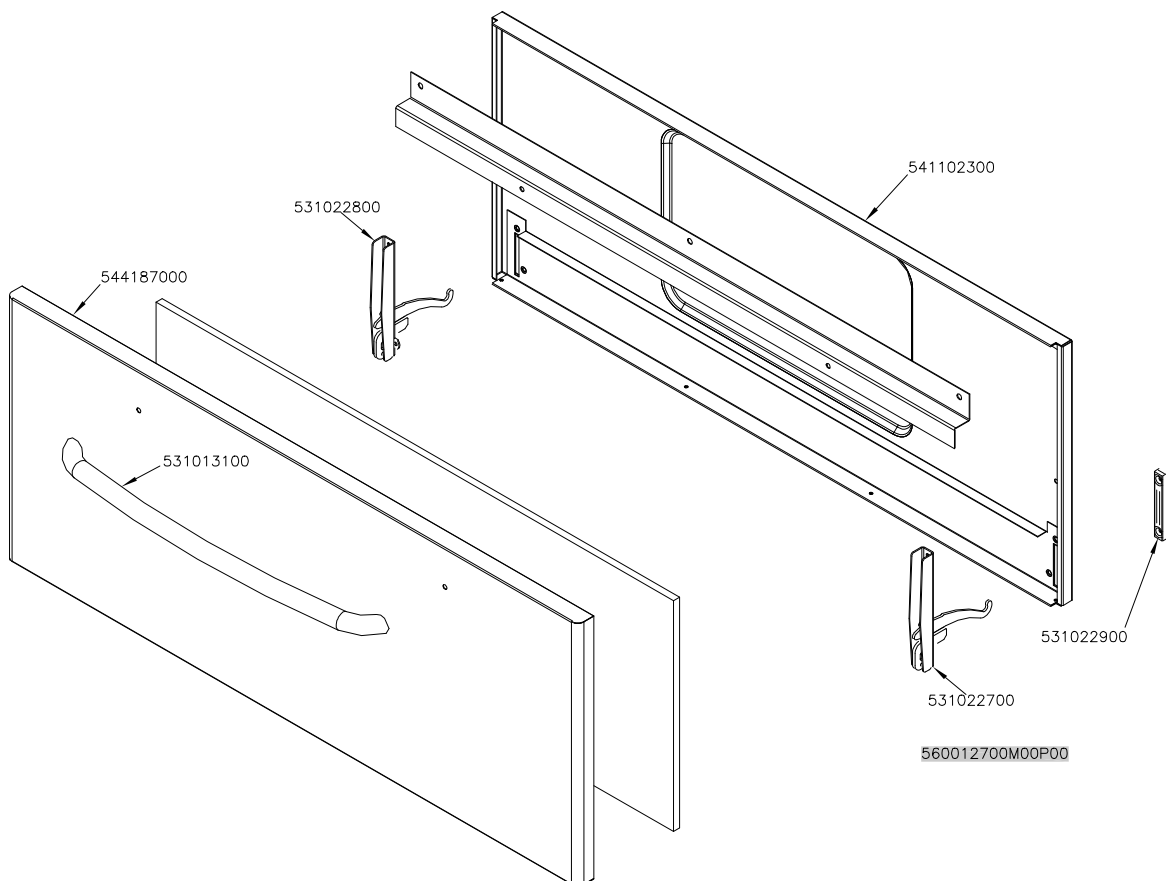
CUCINE / RANGES / HERDE / CUISINIÈRES
FORNO / OVEN / BACKOFEN / FOUR

PORTE / DOORS / TÜREN / PORTES

GN 2/1



GN 3/1

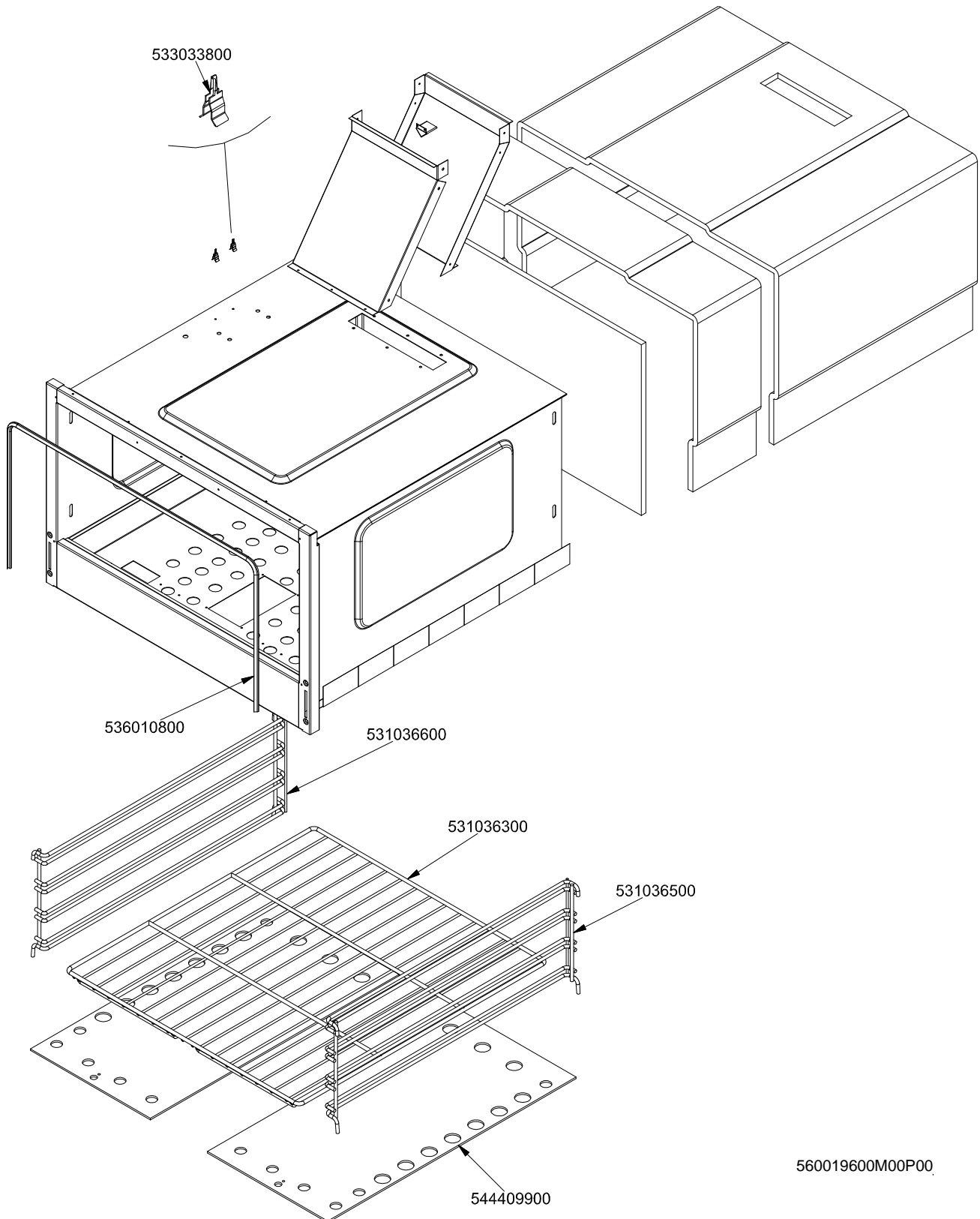


IPERLOTUS 90

CUCINE / RANGES / HERDE / CUISINIÈRES

FORNO / OVEN / BACKOFEN / FOUR

GAS / GAS / GAS / GAZ / GN 2/1

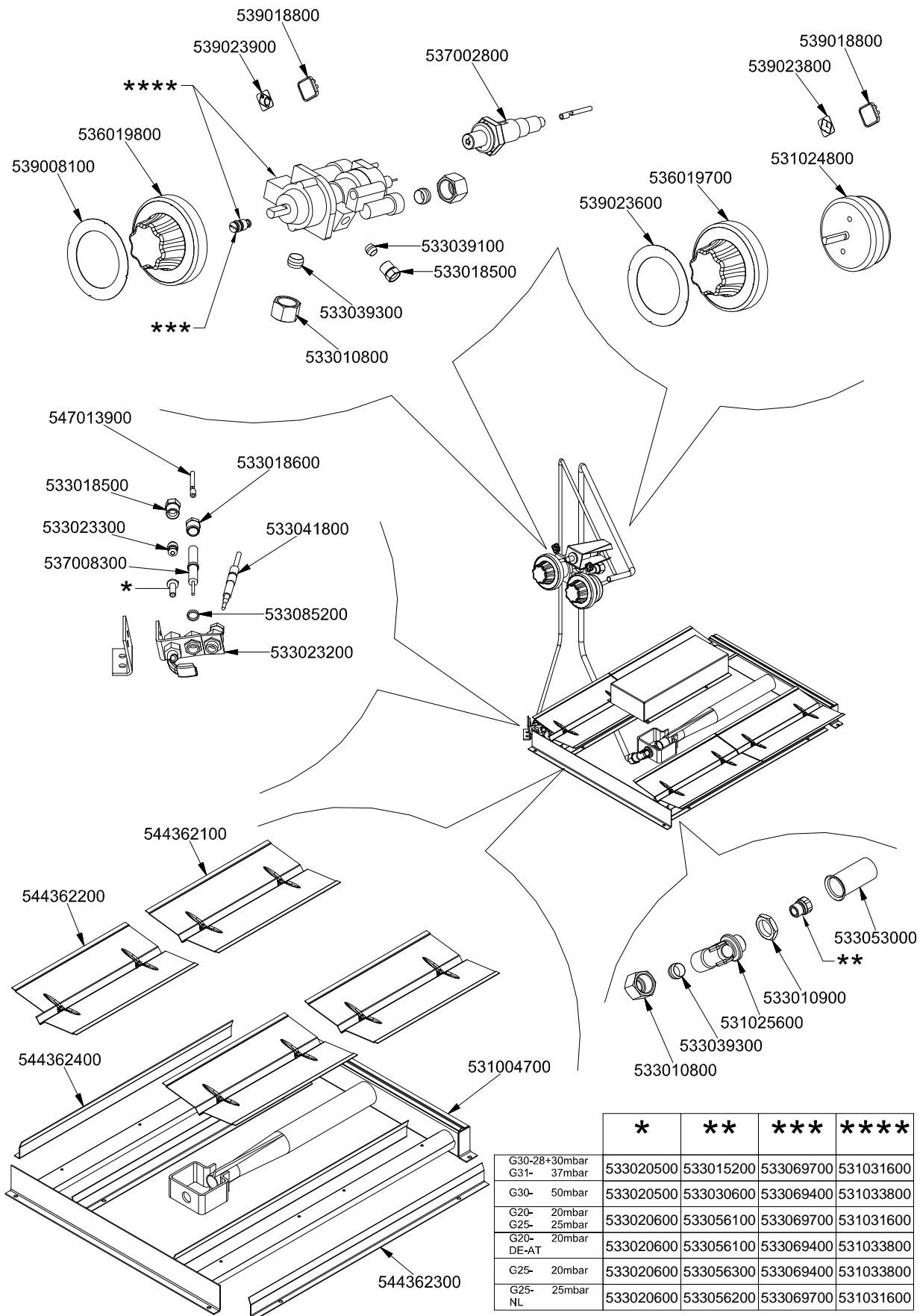


IPERLOTUS 90

CUCINE / RANGES / HERDE / CUISINIÈRES

FORNO / OVEN / BACKOFEN / FOUR

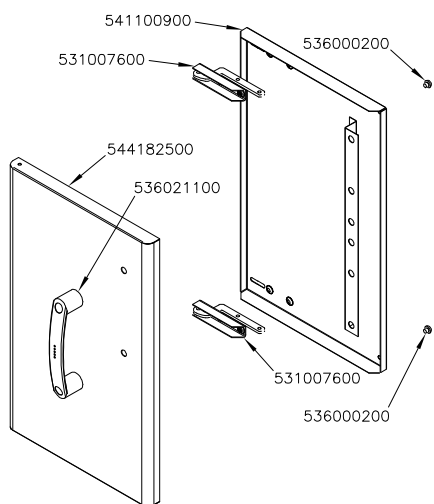
GAS / GAS / GAS / GAZ / GN 2/1



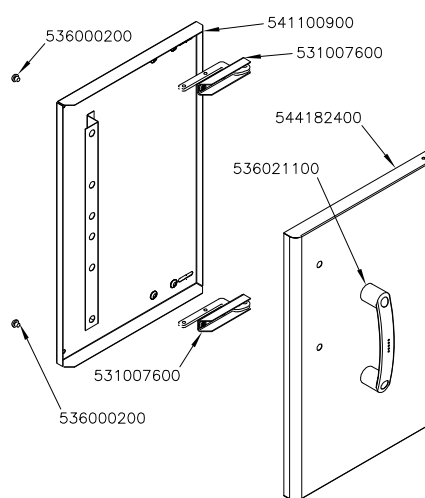
| | * | ** | *** | **** |
|---------------|-----------|-----------|-----------|-----------|
| G30-28+30mbar | 533020500 | 533015200 | 533069700 | 531031600 |
| G31- 37mbar | 533020500 | 533030600 | 533069400 | 531033800 |
| G30- 50mbar | 533020600 | 533056100 | 533069700 | 531031600 |
| G20- 20mbar | 533020600 | 533056100 | 533069400 | 531033800 |
| G25- 25mbar | 533020600 | 533056300 | 533069400 | 531033800 |
| G20- DE-AT | 533020600 | 533056200 | 533069700 | 531031600 |
| G25- 20mbar | 533020600 | 533056300 | 533069400 | 531033800 |
| G25- NL | 533020600 | 533056200 | 533069700 | 531031600 |

560019700M00P00

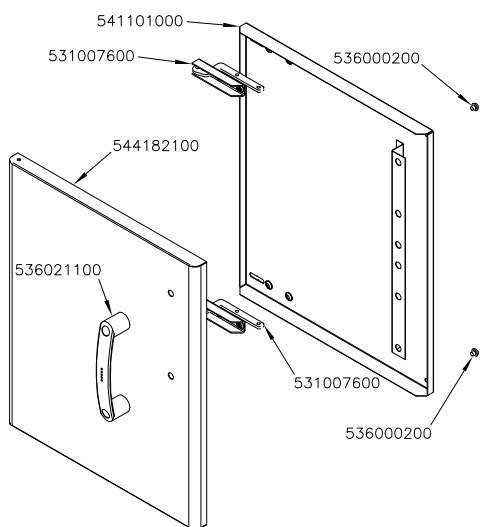
PORTE / DOORS / FLÜGELÜREN / PORTES N°≤0601



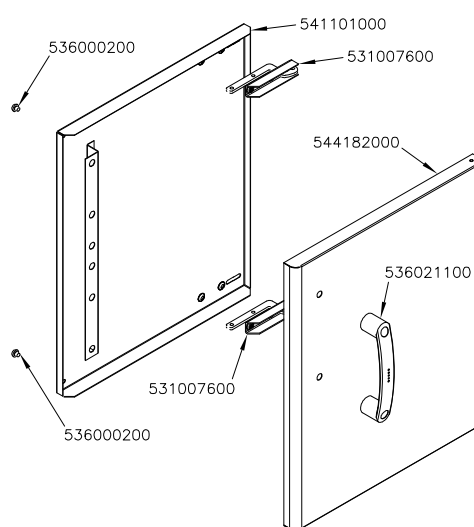
P-73/93 SX



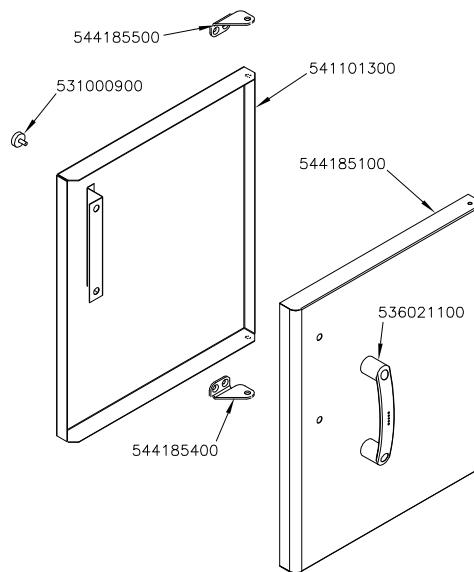
P-73/93 DX



P-74/94 SX



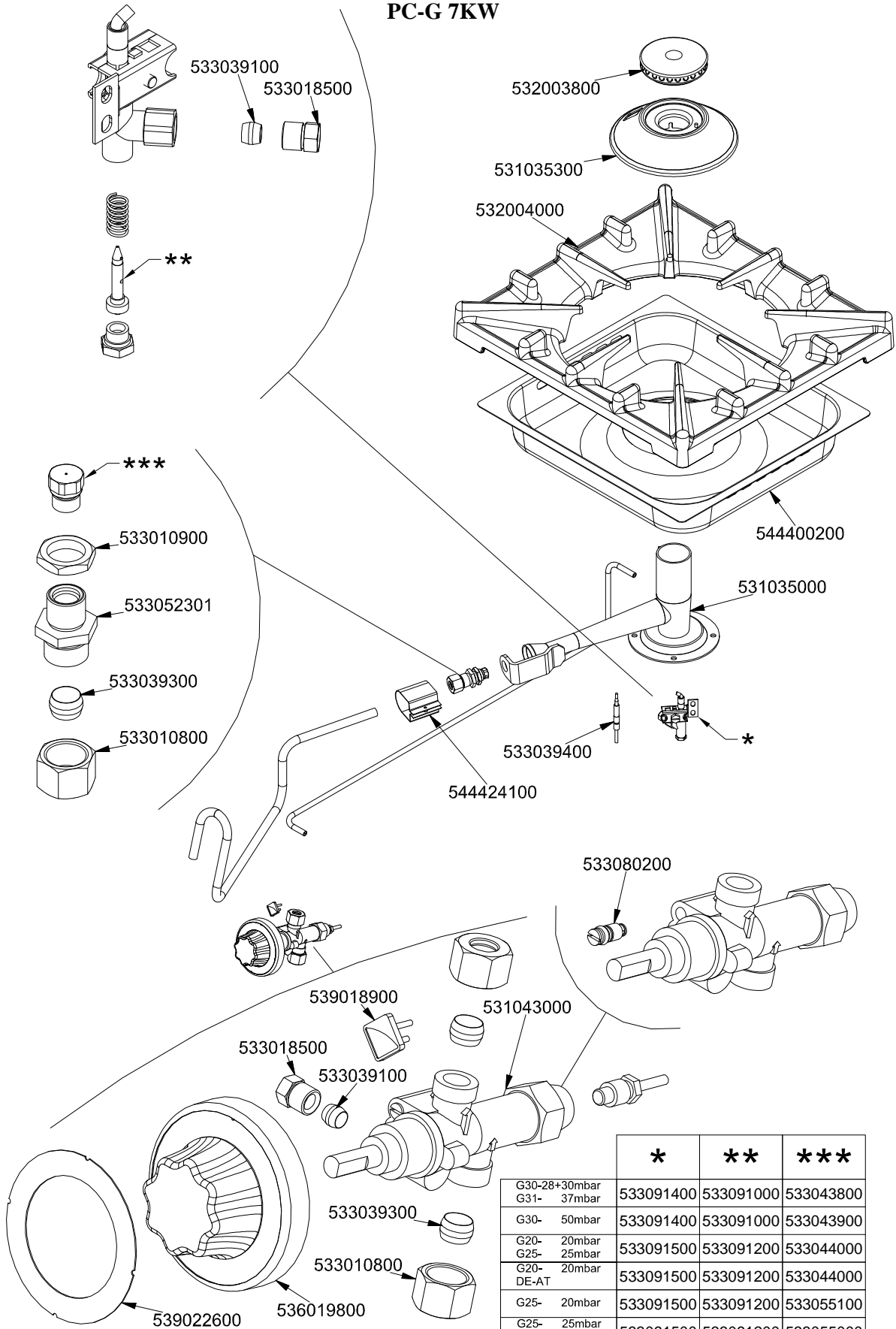
P-74/94 DX



P-74/94 DX CF

560012800M00P00

PC-G 7KW

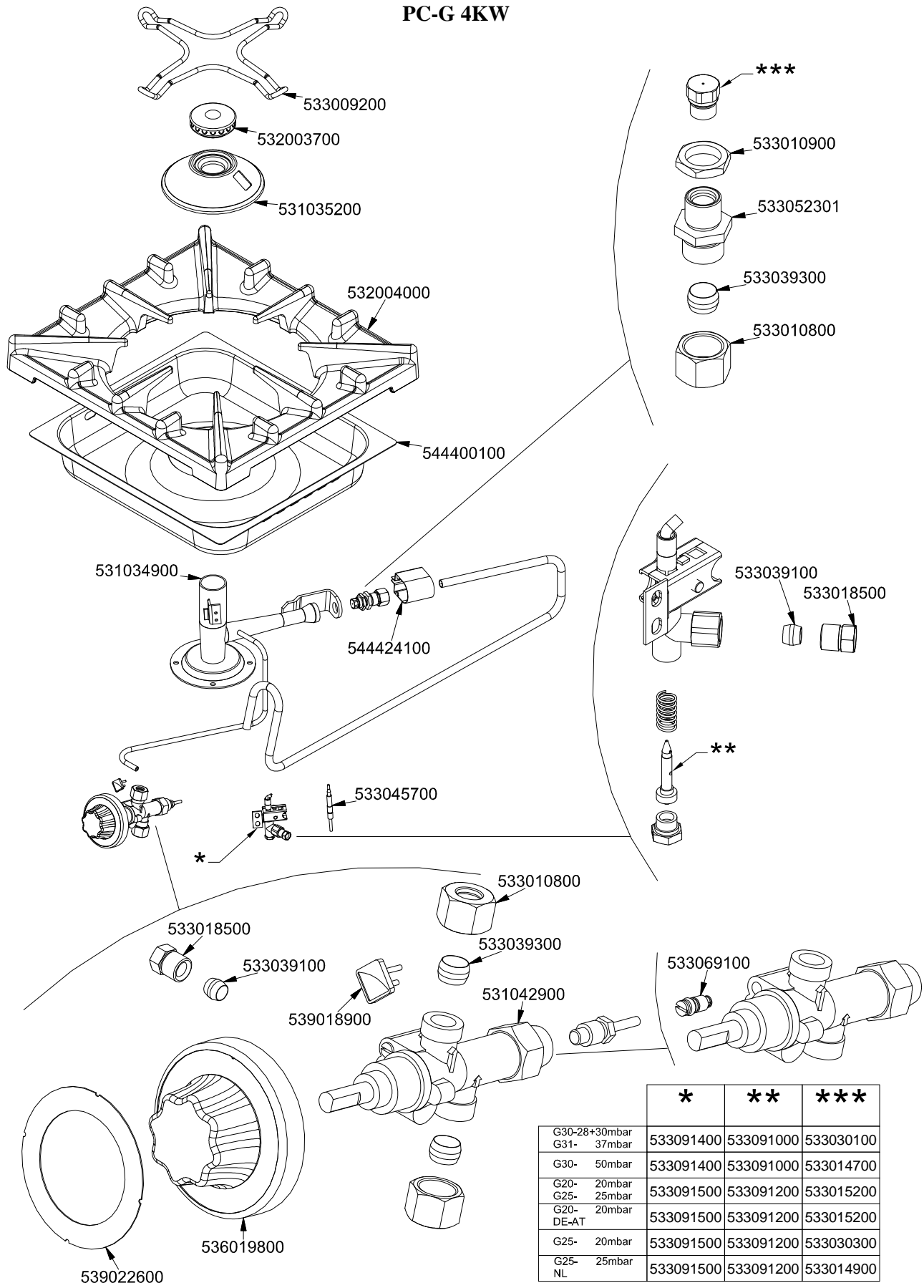


| | * | ** | *** |
|---------------|-----------|-----------|-----------|
| G30-28+30mbar | 533091400 | 533091000 | 533043800 |
| G31- 37mbar | | | |
| G30- 50mbar | 533091400 | 533091000 | 533043900 |
| G20- 20mbar | 533091500 | 533091200 | 533044000 |
| G25- 25mbar | | | |
| G20- 20mbar | 533091500 | 533091200 | 533044000 |
| DE-AT | | | |
| G25- 20mbar | 533091500 | 533091200 | 533055100 |
| G25- 25mbar | 533091500 | 533091200 | 533055000 |
| NL | | | |

560023200M00P00

IPERLOTUS 90
COMPONENTI COMUNI / STANDARDS PARTS / UEBLICHE TEILE / COMPOSANTS COMMUNS

PC-G 4KW



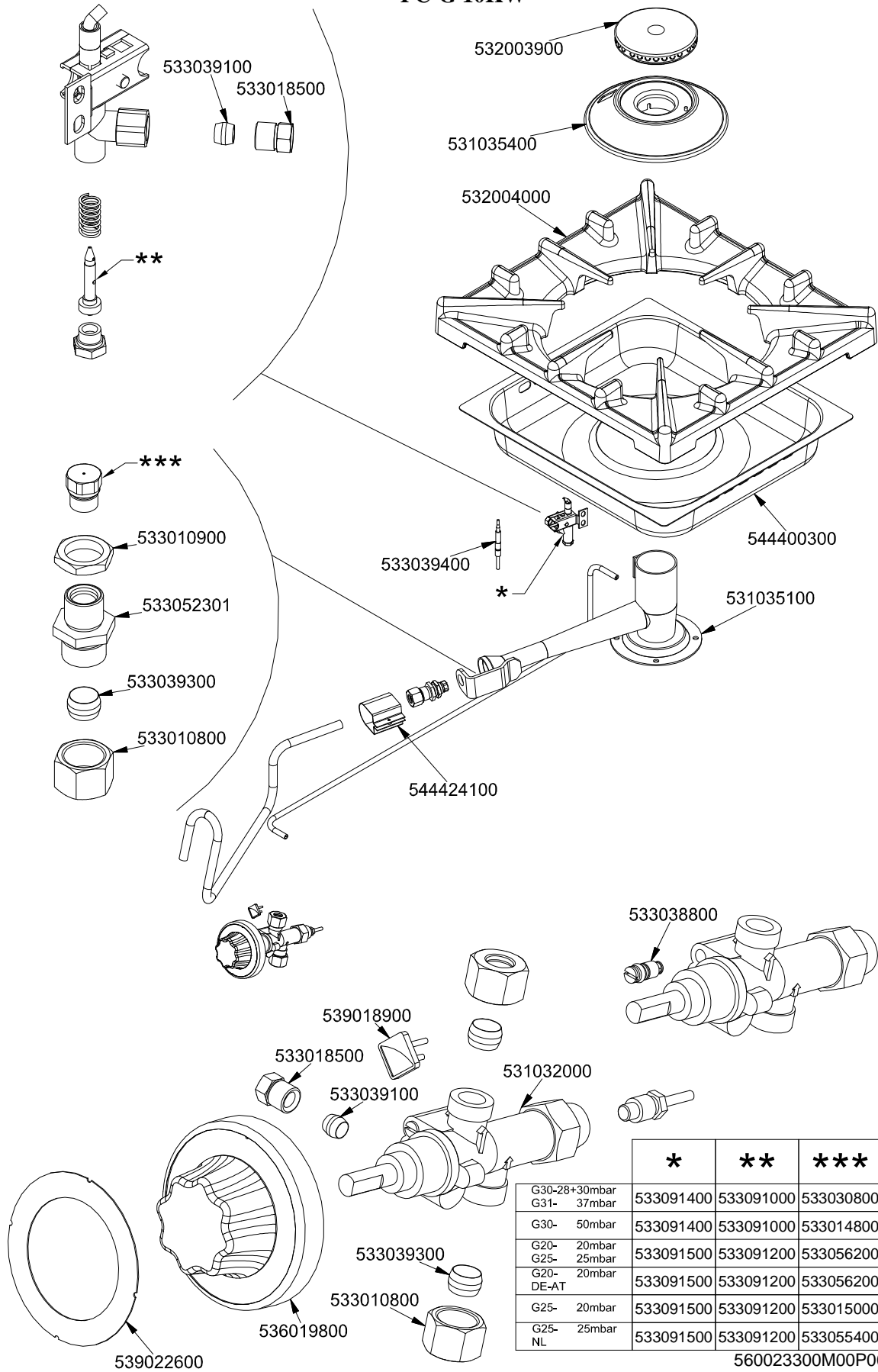
| | * | ** | *** |
|------------------------------|-----------|-----------|-----------|
| G30-28+30mbar G31- 37mbar | 533091400 | 533091000 | 533030100 |
| G30- 50mbar | 533091400 | 533091000 | 533014700 |
| G20- 20mbar G25- 25mbar | 533091500 | 533091200 | 533015200 |
| G20- 20mbar DE-AT | 533091500 | 533091200 | 533015200 |
| G25- 20mbar | 533091500 | 533091200 | 533030300 |
| G25- 25mbar NL | 533091500 | 533091200 | 533014900 |

560023100M00P00

IPERLOTUS 90

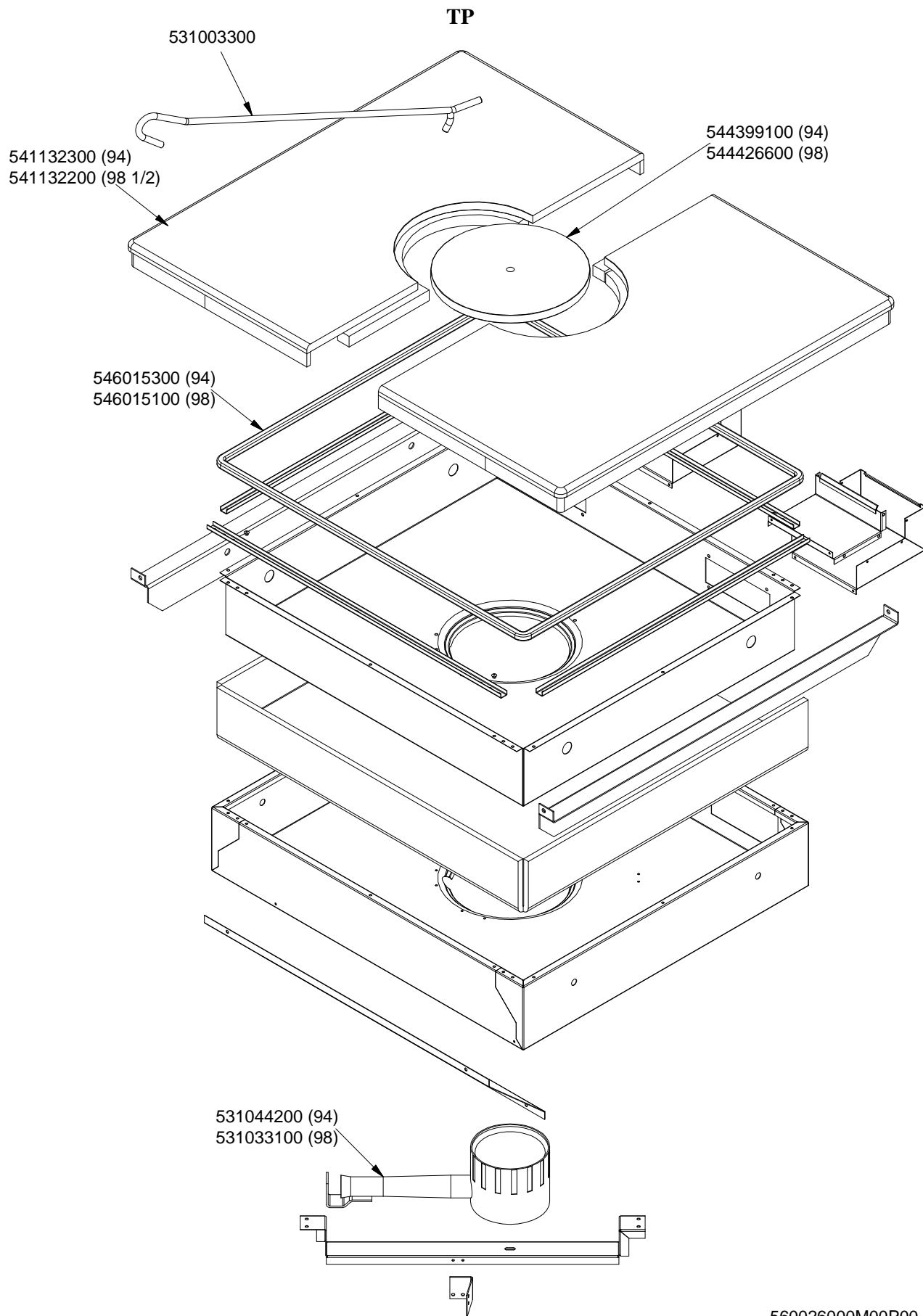
COMPONENTI COMUNI / STANDARDS PARTS / UEBLICHE TEILE / COMPOSANTS COMMUNS

PC-G 10KW



| | * | ** | *** |
|---------------|-----------|-----------|-----------|
| G30-28+30mbar | 533091400 | 533091000 | 533030800 |
| G31- 37mbar | | | |
| G30- 50mbar | 533091400 | 533091000 | 533014800 |
| G20- 20mbar | 533091500 | 533091200 | 533056200 |
| G25- 25mbar | 533091500 | 533091200 | 533056200 |
| G20- 20mbar | 533091500 | 533091200 | 533056200 |
| G25- 20mbar | 533091500 | 533091200 | 533015000 |
| G25- 25mbar | 533091500 | 533091200 | 533055400 |

560023300M00P00



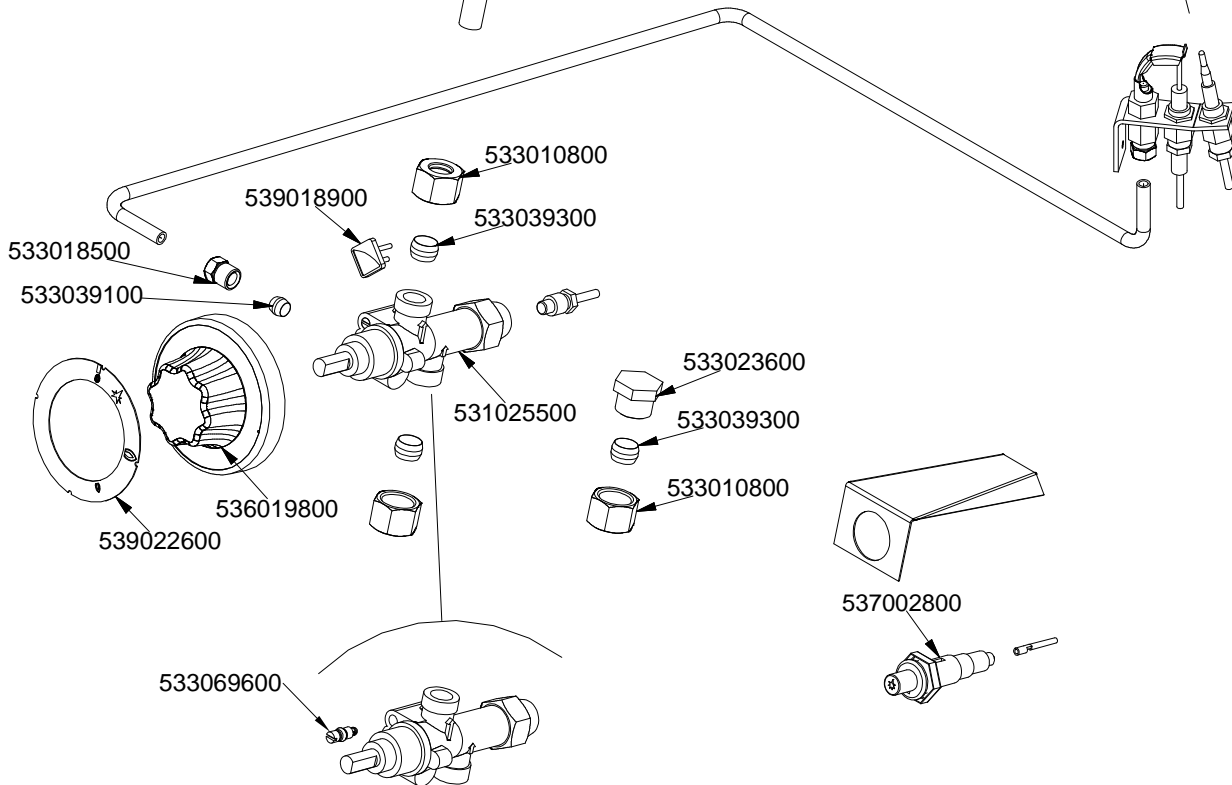
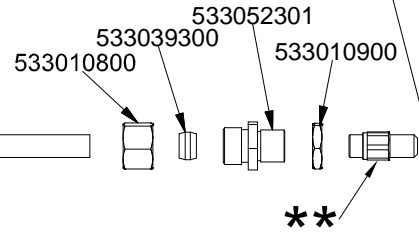
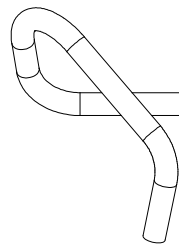
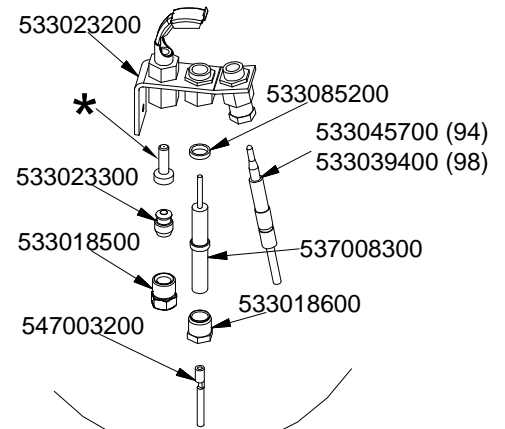
560026000M00P00

IPERLOTUS 90

COMPONENTI COMUNI / STANDARDS PARTS / UEBLICHE TEILE / COMPOSANTS COMMUNS

TP

| | * | ** | ** |
|------------------------------|-----------|-----------|-----------|
| | | TP-94 | TP-98 |
| G30-28+30mbar G31- 37mbar | 533020500 | 533057700 | 533019600 |
| G30- 50mbar | 533020500 | 533057600 | 533046200 |
| G20- 20mbar G25- 25mbar | 533020600 | 533047400 | 533057500 |
| G20- 20mbar DE-AT | 533020600 | 533047400 | 533057500 |
| G25- 20mbar | 533020600 | 533047300 | 533032801 |
| G25- 25mbar NL | 533020600 | 533047500 | 533032001 |



560025900M00P00

| Page | Pos | Code | Description |
|------|-----|-----------|-------------------------------------|
| 001 | | 541147500 | CONTROL PANEL TPF4-912G |
| 001 | | 541129800 | UPPER PLATE TP4-912G |
| 001 | | 544407200 | RIGHT SIDE PANEL RANGE 70 LINE |
| 001 | | 532004100 | FLUE GRID L=370 70LINE (RAF) |
| 001 | | 536005200 | INOX LEG 2" 120-180 M10 |
| 001 | | 544407100 | RIGHT SIDE PANEL RANGE 90 LINE |
| 002 | | 544187100 | OVEN INNER DOOR GN 2/1 S.70 |
| 002 | | 531022800 | LEFT OVEN DOOR HINGE S.70 |
| 002 | | 544156900 | |
| 002 | | 531013100 | OVEN DOOR HANDLE OF 70/90-LINE |
| 002 | | 531022900 | HINGE DOOR WHEEL HOLDER S.70 |
| 002 | | 531022700 | RIGHT OVEN DOOR HINGE 70LINE |
| 002 | | 541102300 | GAS OVEN INNER DOOR GN 3/1 S.70 |
| 002 | | 531072800 | |
| 002 | | 544187000 | OVEN DOOR GN 3/1 S.70 |
| 003 | | 533033800 | LOCK SPRING FOR BULB §6 |
| 003 | | 536010800 | OVEN GASKET GN 2/1 (1261) |
| 003 | | 531036600 | LHD RACK HOLDER FOR OVEN S.90 |
| 003 | | 531036300 | OVEN RACK GN 2/1 FOR 90 LINE |
| 003 | | 531036500 | RHD RACK HOLDER FOR OVEN S.90 |
| 003 | | 544409900 | 90 GAS OVEN BOTTOM GN2/1 |
| 004 | | 533020500 | NOZZLE 0.140 §19 |
| 004 | | 533020600 | NOZZLE 0.140 §27 |
| 004 | | 533015200 | NOZZLE §145 CH12*14 F-FP/CP6 |
| 004 | | 533030600 | NOZZLE §125 CH12*14 |
| 004 | | 533056100 | NOZZLE §220 CH12*14 |
| 004 | | 533056300 | NOZZLE §240 CH12*14 |
| 004 | | 533056200 | NOZZLE §230 CH12*14 |
| 004 | | 533069700 | BY PASS COCK §075 25ST |
| 004 | | 533069400 | BY PASS COCK §065 25ST |
| 004 | | 531031600 | HORIZON.THERMOSTATIC TAP BY-PASS 75 |
| 004 | | 531033800 | HORIZON.THERMOSTATIC TAP BYPASS §65 |
| 004 | | 539018800 | INDEX FOR OVEN KNOB |
| 004 | | 539023900 | SIGN PLATE FOR OVEN TEMPERATURE |
| 004 | | 537002800 | PIEZOELECTRIC IGNITION M18 |
| 004 | | 536019800 | BLACK KNOB §70 PIN §8*6,5 |
| 004 | | 539008100 | ADHESIVE GRADUATED DISC FOR KNOB |
| 004 | | 539023800 | SIGN PLATE FOR OVEN TIMER |
| 004 | | 531024800 | TIMER 120'- 360° |
| 004 | | 536019700 | BLACK KNOB §70 PIN §6*5 |
| 004 | | 539023600 | ADHESIVE GRADUATED DISC FOR KNOB |
| 004 | | 533039100 | BICONE §6 |
| 004 | | 533018500 | FITTING FOR BICONE D.6 M10*1 |
| 004 | | 533039300 | BICONE §10 |
| 004 | | 533010800 | TUBE NUT D.10 M16*1,5 |
| 004 | | 547013900 | HIGH-VOLTAGE CABLE TUB.§2 L=1400 |
| 004 | | 533018600 | PLUG FITTING |
| 004 | | 533023300 | BICONE §6 ("TARGET" PILOT) |
| 004 | | 537008300 | ROUND PLUG §2,4- LONG ELECTRODE |
| 004 | | 533041800 | THERMOCOUPLE 1500 M9*1 |
| 004 | | 533085200 | |

| Page | Pos | Code | Description |
|------|-----|-----------|-------------------------------------|
| 004 | | 533023200 | "TARGET" PILOT + NIPPLE TC BRAC.90° |
| 004 | | 544362100 | UPPER BURNER DEFLECTOR FOR OVEN 70 |
| 004 | | 544362200 | UPPER PILOT DEFLECTOR FOR OVEN 70 |
| 004 | | 544362400 | SIDE PILOT DEFLECTOR FOR OVEN 70 |
| 004 | | 531004700 | BURNER FOR OVEN GN 2/1 S.70 |
| 004 | | 544362300 | SIDE BURNER DEFLECTOR FOR OVEN 70 |
| 004 | | 533053000 | AIR ADJUSTMENT BUSHING §18 |
| 004 | | 533010900 | NUT M14*1 H.4 |
| 004 | | 531025600 | ELBOW 90° NOZZLE-HOLDER §10 PIPE |
| 005 | | 541100900 | INNER DOOR 73 |
| 005 | | 531007600 | DOOR HINGE |
| 005 | | 536000200 | D.12 H.4 BUMPER |
| 005 | | 544182500 | RIGHT DOOR 73 |
| 005 | | 536021100 | BLACK HANDLE 70LINE + 2RED POINTS |
| 005 | | 531007800 | |
| 005 | | 544182400 | RIGHT DOOR 73 |
| 005 | | 541101000 | INNER DOOR 74 |
| 005 | | 544182100 | LEFT DOOR 74 |
| 005 | | 544182000 | RIGHT DOOR 74 |
| 005 | | 544185500 | UPPER DOOR HINGE FOR COMPARTME CF70 |
| 005 | | 531000900 | MAGNET §22 KG.3 WITH DISK |
| 005 | | 541101300 | RIGHT INNER DOOR 74 CF |
| 005 | | 544185100 | RIGHT DOOR 74 |
| 005 | | 544185400 | LOWER DOOR HINGE FOR COMPARTME CF70 |
| 006 | | 533091000 | NOZZLE 0.100 §20 |
| 006 | | 533091200 | PILOT NOZZLE 0100 Ø35 PIL.PC |
| 006 | | 533091400 | P.NOZZLE S100 UG.§20 PC90 LPG-FLUS |
| 006 | | 533091500 | PILOT NOZZLE S.100 §30 PC90 NAT.GAS |
| 006 | | 533043800 | NOZZLE §130 CH12*14 G-CW4 |
| 006 | | 533043900 | NOZZLE §115 CH12*14 F-CW4 |
| 006 | | 533044000 | NOZZLE §195 CH12*14 M-CW4 |
| 006 | | 533055100 | NOZZLE §215 CH12*14 L-CW4 |
| 006 | | 533055000 | NOZZLE §205 CH12*14 G25 CW4 |
| 006 | | 533039100 | BICONE §6 |
| 006 | | 533018500 | FITTING FOR BICONE D.6 M10*1 |
| 006 | | 532003800 | BURNER COVER RING §082 |
| 006 | | 531035300 | MEDIUM BURNER BODY 90 LINE |
| 006 | | 532004000 | 1 FLAME GRILL 396X366 (90) |
| 006 | | 544400200 | BURNER DRIP PAN 2/3 |
| 006 | | 531035000 | MEDIUM BURNER VENTURI 90 LINE |
| 006 | | 533039400 | THERMOCOUPLE M9*1*850 |
| 006 | | 544424100 | |
| 006 | | 533010900 | NUT M14*1 H.4 |
| 006 | | 533052301 | JOINT FOR NOZZLE HOLDER |
| 006 | | 533039300 | BICONE §10 |
| 006 | | 533010800 | TUBE NUT D.10 M16*1,5 |
| 006 | | 533080200 | BY PASS COCK §65 20S-21S |
| 006 | | 539018900 | INDEX FOR KNOB |
| 006 | | 531043000 | GAS COCK 21S P.V. BY-PASS §065 |
| 006 | | 536019800 | BLACK KNOB §70 PIN §8*6,5 |
| 006 | | 539022600 | GRADUATED STICKER FOR KNOB |

| Page | Pos | Code | Description |
|------|-----|-----------|-------------------------------------|
| 007 | | 533091000 | NOZZLE 0.100 §20 |
| 007 | | 533091200 | PILOT NOZZLE 0100 Ø35 PIL.PC |
| 007 | | 533030100 | NOZZLE §95 CH12*14 G-FP |
| 007 | | 533014700 | NOZZLE §85 CH12*14 F-FQ5 |
| 007 | | 533015200 | NOZZLE §145 CH12*14 F-FP/CP6 |
| 007 | | 533030300 | NOZZLE §160 CH12*14 M-FPG |
| 007 | | 533014900 | NOZZLE §150 CH12*14 F-FQ5 L-FQ6 |
| 007 | | 533091400 | P.NOZZLE S100 UG.§20 PC90 LPG-FLUS |
| 007 | | 533091500 | PILOT NOZZLE S.100 §30 PC90 NAT.GAS |
| 007 | | 533009200 | REDUCTION FOR 65 AND 70 LINE |
| 007 | | 532003700 | BURNER COVER RING §060 |
| 007 | | 531035200 | SMALL BURNER BODY 90 LINE |
| 007 | | 532004000 | 1 FLAME GRILL 396X366 (90) |
| 007 | | 533010900 | NUT M14*1 H.4 |
| 007 | | 533052301 | JOINT FOR NOZZLE HOLDER |
| 007 | | 533039300 | BICONE §10 |
| 007 | | 533010800 | TUBE NUT D.10 M16*1,5 |
| 007 | | 544400100 | BURNER DRIP PAN 2/3 |
| 007 | | 531034900 | SMALL BURNER VENTURI 90 LINE |
| 007 | | 544424100 | |
| 007 | | 533039100 | BICONE §6 |
| 007 | | 533018500 | FITTING FOR BICONE D.6 M10*1 |
| 007 | | 533045700 | THERMOCOUPLE M9*1 500 |
| 007 | | 539018900 | INDEX FOR KNOB |
| 007 | | 536019800 | BLACK KNOB §70 PIN §8*6,5 |
| 007 | | 539022600 | GRADUATED STICKER FOR KNOB |
| 007 | | 531042900 | B.PASS §60 SAFETY COCK PC/CF 90 |
| 007 | | 533069100 | BY PASS COCK §60 20S |
| 008 | | 533091000 | NOZZLE 0.100 §20 |
| 008 | | 533091200 | PILOT NOZZLE 0100 Ø35 PIL.PC |
| 008 | | 533091400 | P.NOZZLE S100 UG.§20 PC90 LPG-FLUS |
| 008 | | 533091500 | PILOT NOZZLE S.100 §30 PC90 NAT.GAS |
| 008 | | 533030800 | NOZZLE §155 CH12X14 M-CW |
| 008 | | 533014800 | NOZZLE §135 CH12*14,0 |
| 008 | | 533056200 | NOZZLE §230 CH12*14 |
| 008 | | 533015000 | NOZZLE D.I 260 G110 (TOWN GAS) |
| 008 | | 533055400 | NOZZLE §245 CH12*14 |
| 008 | | 533039100 | BICONE §6 |
| 008 | | 533018500 | FITTING FOR BICONE D.6 M10*1 |
| 008 | | 532003900 | BURNER COVER RING §100 |
| 008 | | 531035400 | BIG BURNER BODY 90 LINE |
| 008 | | 532004000 | 1 FLAME GRILL 396X366 (90) |
| 008 | | 533010900 | NUT M14*1 H.4 |
| 008 | | 533052301 | JOINT FOR NOZZLE HOLDER |
| 008 | | 533039300 | BICONE §10 |
| 008 | | 533010800 | TUBE NUT D.10 M16*1,5 |
| 008 | | 533039400 | THERMOCOUPLE M9*1*850 |
| 008 | | 544400300 | BURNER DRIP PAN 2/3 |
| 008 | | 531035100 | BIG BURNER VENTURI 90 LINE |
| 008 | | 544424100 | |
| 008 | | 533038800 | 75 BY-PASS FOR 21S TAP |

| Page | Pos | Code | Description |
|------|-----|-----------|-------------------------------------|
| 008 | | 539018900 | INDEX FOR KNOB |
| 008 | | 531032000 | GAS COCK P.V.BY-PASS Ø075 |
| 008 | | 536019800 | BLACK KNOB §70 PIN §8*6,5 |
| 008 | | 539022600 | GRADUATED STICKER FOR KNOB |
| 009 | | 531003300 | TP-PLATE LIFTING HOOK |
| 010 | | 533020500 | NOZZLE 0.140 §19 |
| 010 | | 533020600 | NOZZLE 0.140 §27 |
| 010 | | 533052301 | JOINT FOR NOZZLE HOLDER |
| 010 | | 533039300 | BICONE §10 |
| 010 | | 533010900 | NUT M14*1 H.4 |
| 010 | | 533010800 | TUBE NUT D.10 M16*1,5 |
| 010 | | 539018900 | INDEX FOR KNOB |
| 010 | | 533018500 | FITTING FOR BICONE D.6 M10*1 |
| 010 | | 533039100 | BICONE §6 |
| 010 | | 533023600 | TAP PLUG §10 M16*1, 5CH19 |
| 010 | | 531025500 | GAS COCK 21S P.V.BY-PASS Ø130 |
| 010 | | 536019800 | BLACK KNOB §70 PIN §8*6,5 |
| 010 | | 539022600 | GRADUATED STICKER FOR KNOB |
| 010 | | 537002800 | PIEZOELECTRIC IGNITION M18 |
| 010 | | 533069600 | BY PASS COCK §130 20S-21S |
| 010 | | 533085200 | |
| 010 | | 537008300 | ROUND PLUG §2,4- LONG ELECTRODE |
| 010 | | 533018600 | PLUG FITTING |
| 010 | | 533023300 | BICONE §6 ("TARGET" PILOT) |
| 010 | | 547003200 | HIGH-VOLTAGE CABLE TUBE.§2 L=500 |
| 010 | | 533023200 | "TARGET" PILOT + NIPPLE TC BRAC.90° |