

DISHWASHER

ELECTROMECHANICAL SWITCHES
LOWER WASHING

TYPE: AQU35

Accessories
COLD RINSE
WATER SOFTNER
DETERGENT DISPENSER
DRAIN PUMP

Spare parts manual



Parti di ricambio Spare Parts Catalogues pièces

INFORMAZIONI GENERALI

Questo catalogo serve per richiedere con esattezza le parti di ricambio

Nelle ordinazioni indicare:

1) il numero dei codici dei particolari seguito dalla descrizione e la quantità desiderata;

2) Il codice alfa-numeric presente nella seconda colonna della tabella ;

I disegni delle parti di ricambio sono solo indicativi e non rappresentano il pezzo in oggetto.

I dati contenuti in questo catalogo sono indicativi e possono essere soggetti a modifiche senza impegno di preavviso.

ALLGEMEINE INFORMATIONEN

Dieser Ersatzteilkatalog dient zur genauen Angabe der Teile bei Ersatzteilbestellungen.

Bei Ersatzbestellung ist folgendes anzugeben:

1) Die Bestellnummer der Ersatzteile mit der entsprechenden Beschreibung genaue Menge;

2) Der alpha-numerischer Code auf der zweiten Reihe in dein Spalte;

Die Zeichnungen der Ersatzteile sind nur als Hinweise gedacht und stellen nicht das betroffene Teil dar.

Bei den im Katalog angeführten Daten handelt es sich um Anhaltsdaten, die jederzeit, ohne Vorankündigung, geändert werden können.

GENERAL INFORMATION

The present spare parts order exactly the right spare parts

When ordering specify:

1) the part's code number followed by its description and quantity needed;

2) The alpha-numeric code is in the second column in the chart;

Spare parts drawings are general and do not represent the part.

The contents of this catalogue are general and can undergo changes without prior notice.

INFORMACIONES GENERALES

El presente catálogo sirve para pedir con exactitud las partes de repuesto

En los pedidos se debe indicar:

1) el número de código de la parte y a continuación la descripción cantidad deseada;

2) El código alfanumérico presente en la signada columna de la tabla;

Los diseños de las partes de recambio son solo indicativos y no representan la pieza en cuestión.

Los datos contenidos en el presente catálogo son indicativos y pueden modificarse sin aviso previo.

INFORMATIONS GENERALES

Ce catalogue permet de commander correctement les pièces détachées

Les commandes doivent être passées en indiquant:

1) le numero de code des pièces détachées suivi de leur description quantité désirée;

2) le code alphanumérique dans la deuxième colonne du tableau;

Les plans des pièces détachées sont fournis seulement à titre indicatif et ne représentent pas la pièce concernée.

Les données de ce catalogue sont citées seulement à titre indicatif et peuvent être l'objet de modifications sans avis préalable.

ESEMPIO EXAMPLE EXEMPLE BEISPIEL

Rif.	Codici
MODULE:Particolari	
10505	540903
10510	540908
10515	15065/A
10520	540086
10525	540028

Note

Tutte le informazioni riportate si intendono aggiornate alla data di stampa. Il Produttore si riserva il diritto di apportare qualsiasi modifica richiesta dallo sviluppo evolutivo dei suddetti prodotti.

Per la sicurezza, la garanzia, l'affidabilità ed il valore della lavastoviglie usa solo ricambi originali.

Attenzione

Questo libretto è parte integrante della lavastoviglie e, in caso di passaggio di proprietà, deve essere consegnato al nuovo acquirente.

Note

The information contained herein is valid at the time of going to print. The Company reserves the right to make any changes required by the future development of the above-mentioned products.

For your safety, as well as to preserve the warranty reliability and worth of your dishwashers, use original spare parts only.

Warning

This manual forms an integral part of the dishwashers and - if a transfer of title occurs - must always be handed over to the new owner.

Remarque

Toutes les informations contenues dans ce manuel s'entendent mises à jour à la date d'impression. En raison du développement constant de ses produits, usine se réserve le droit d'apporter à tout instant les modifications qu'elle jugera utiles.

Pour la sécurité, la garantie, la fiabilité et la valeur de votre lave-vaisselles n'utilisez que des pièces de rechange d'origine.

Attention

Ce manuel doit être considéré comme partie intégrante de la lave-vaisselles, en cas de transfert de propriété, doit toujours être remis au nouveau propriétaire.

Hinweis

Die Der Hersteller behält sich das Recht vor, jegliche, durch eine Weiterentwicklung der genannten Produkte bedingte Änderungen vornehmen zu können.

Verwenden Sie für Ihre Sicherheit, die Garantie, die Zuverlässigkeit und den Wert Ihrer machine originale Ersatzteile.

Achtung

Diese Betriebsanleitung ist Bestandteil des machine und muss bei seinem Weiterverkauf dem neuen Besitzer ausgehändigt werden.

1. Spare parts

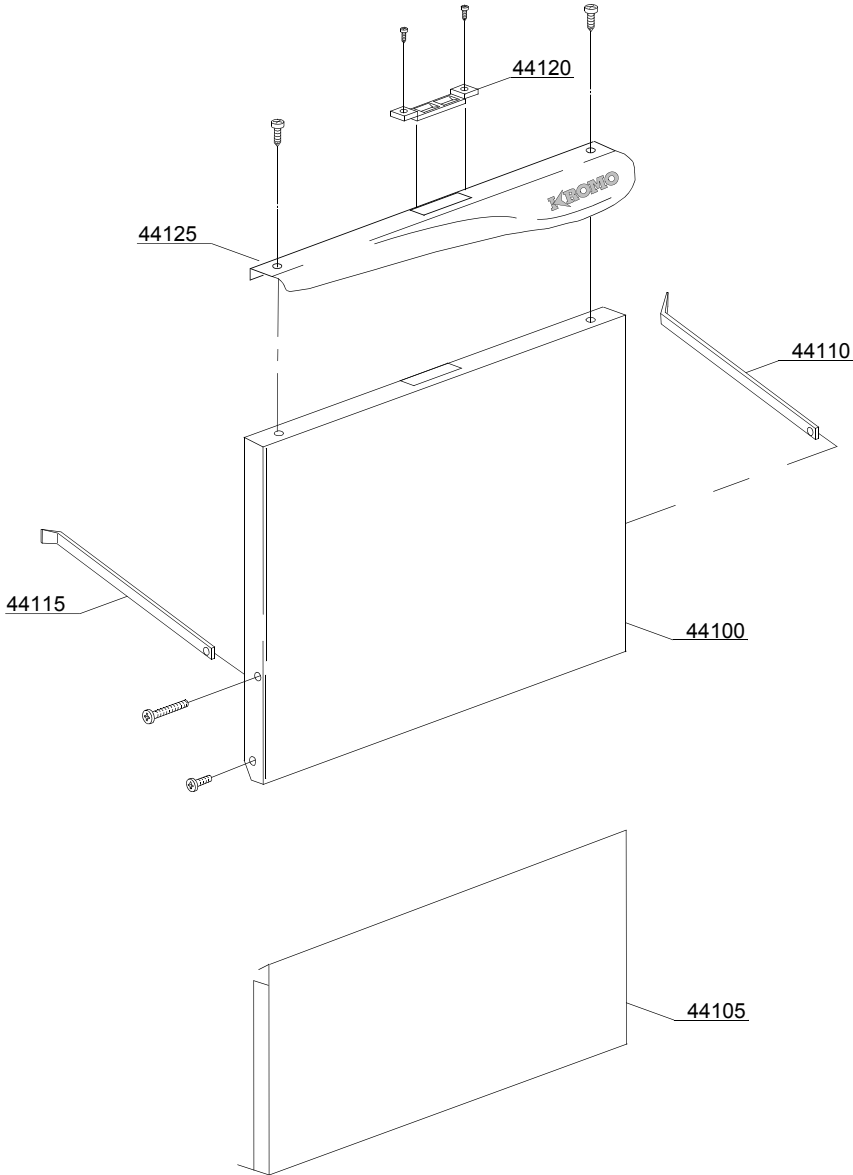
General body parts.....	7
Lockup system	9
Control panel and switches.....	11
Electric control components.....	13
Solenoid valve group	15
Solenoid valve group	17
Water softner assembly	19
Rinse aid dispenser group.....	21
Rinse aid dispenser group.....	23
3 ways connection	25
4 ways connection	27
Wash pump	29
Dosing detergent group.....	31
Drain pump group.....	33
Pressure switch group with air trap ...	35
Turret group with rotating arms	37

1.1 Voltage codes

Voltage code	Voltage
A	3/N/PE~400/230V 50Hz
B	~250V 16A 50Hz
C	3/N/PE~380/220V 50Hz
D	3/PE~200V 50-60Hz
F	2/PE 220-240V 50Hz
G	3/N/PE~415/240V 50Hz
H	3/PE~230V 50Hz
I	3/PE~220V 60Hz
J	3/PE~380 50Hz
K	3/PE~400V 50Hz
L	3/PE~415V 50Hz
M	3/PE~440V 60Hz
N	3/PE~460V 60Hz
O	3/PE~480V 60Hz
P	1/N/PE~220-240V 50Hz
R	2/PE~220-230V 60Hz
S	3/N/PE~400/230V 50Hz
T	3/PE~230V 60Hz

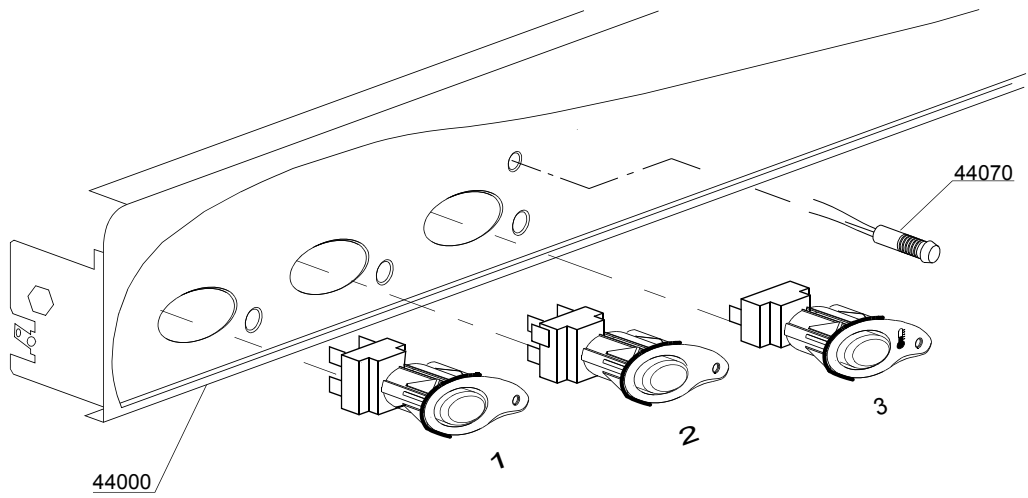
1.2 Product codes

Product code	Full name
Model codes	
em	ELECTROMECHANICAL SWITCHES
cf	LOWER WASHING
Type codes	
AQU35	AQU35
Accessory codes	
fs	COLD RINSE
d	WATER SOFTNER
dde	DETERGENT DISPENSER
ps	DRAIN PUMP

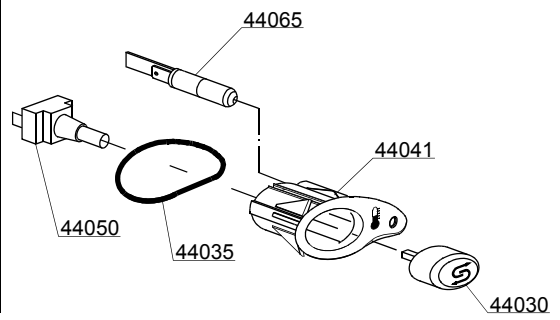
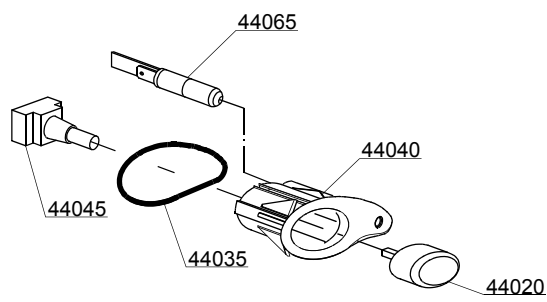
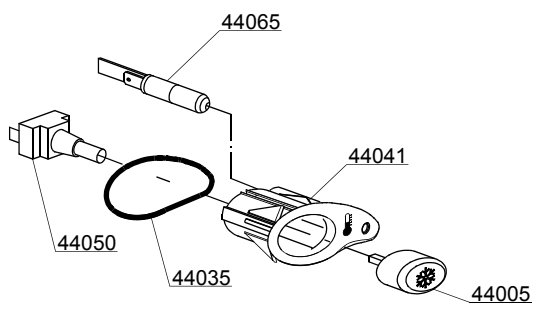
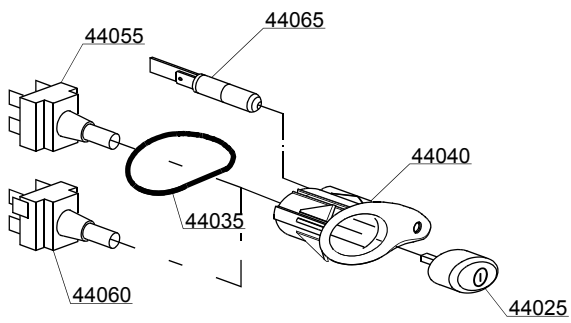
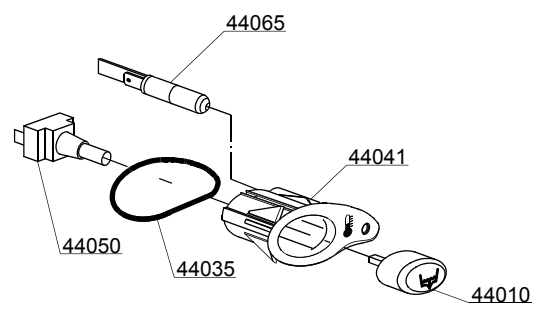
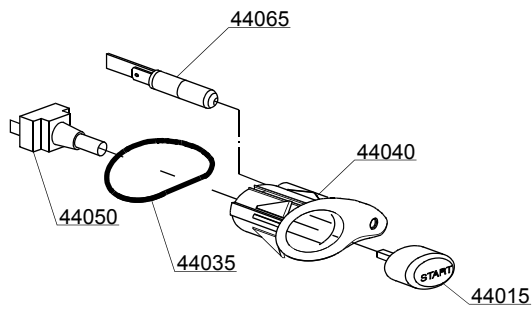


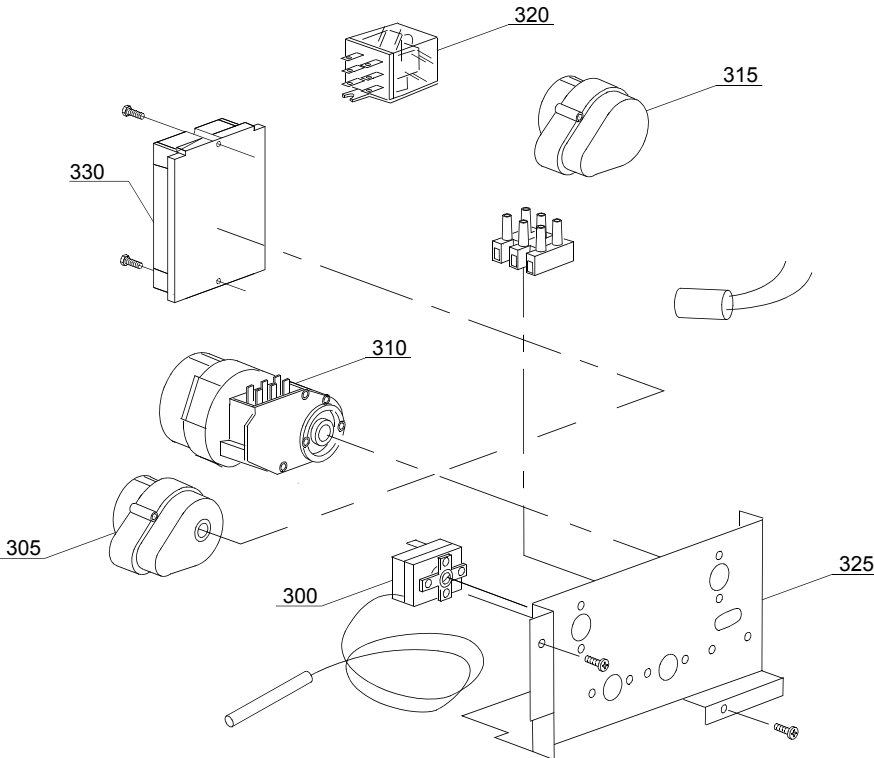
02_127_e

ID	P-code	Model	Type	Accessory	Voltage	Description
MODULE:Lockup system						
44100	250012		AQU35			Door
44105	250016		AQU35			Lower door
44110	250006		AQU35			Right door rod
44115	250007		AQU35			Left door rod
44120	150402/D		AQU35			Door jack
44125	250012		AQU35			Stainless steel handle



03_047_e

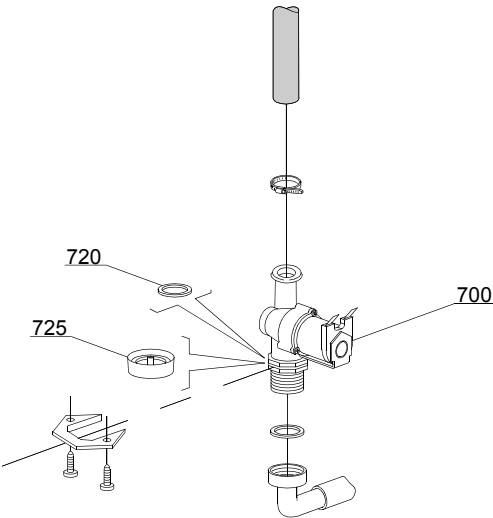




04_007_e

Spare parts

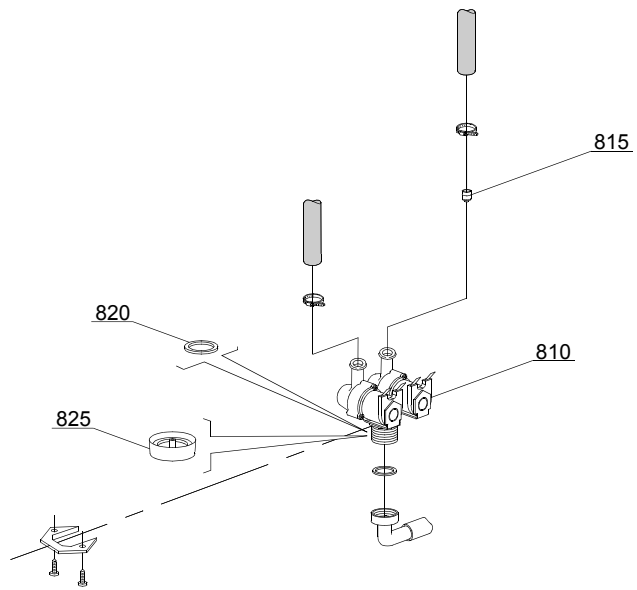
ID	P-code	Model	Type	Accessory	Voltage	Description
MODULE:Electric control components						
300	10707/1		AQU35			0-90°C thermostat
305	10708/L		AQU35			120" timer
310	10708/B		AQU35			120" timer - 220Vac 60Hz
310	10708/T		AQU35			Timer 120" with thermostop
315	16064/A		AQU35	ws		Regeneration timer
320	16047		AQU35			Tripolar relay in deviation 16A
320	15620		AQU35	dp		Bipolar relay in deviation
325	250024		AQU35			Electric component panel



05_002_e

Spare parts

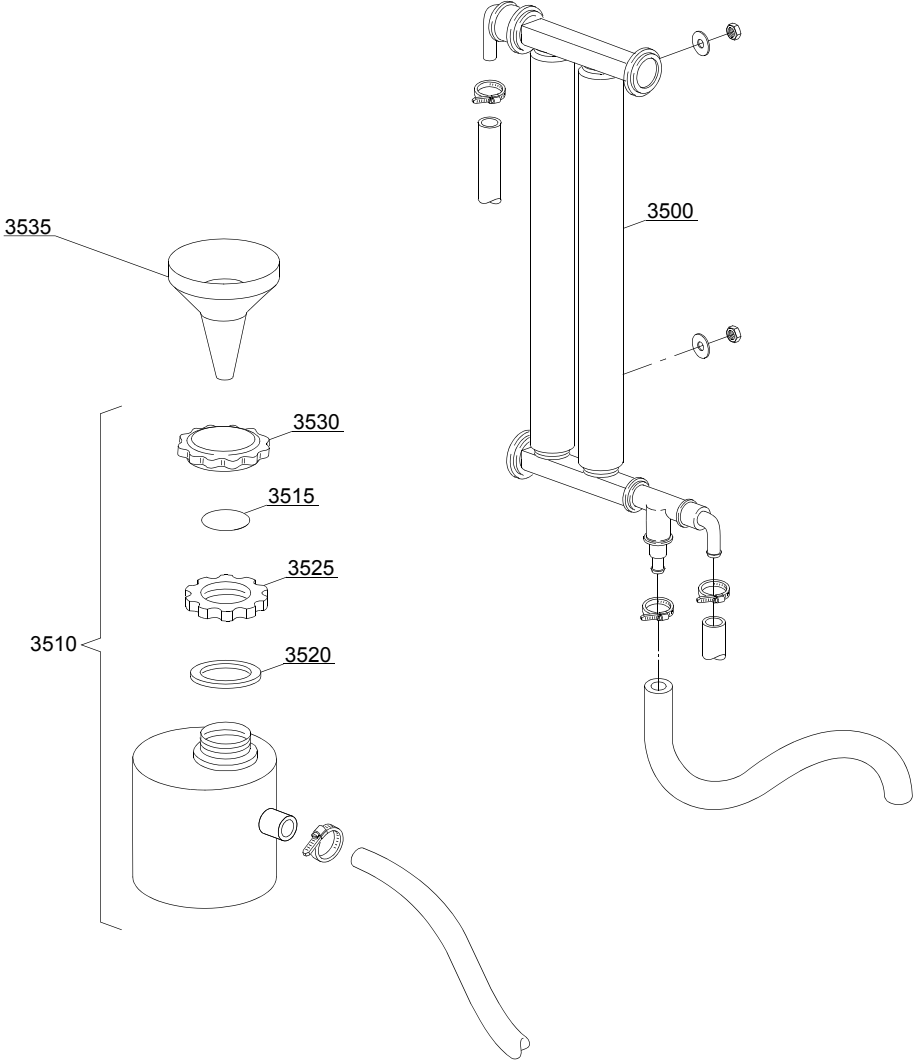
ID	P-code	Model	Type	Accessory	Voltage	Description
MODULE: Solenoid valve group						
700	10703		AQU35			Single solenoid valve
720	N.C.		AQU35			Pression reducing valve
725	15315		AQU35			Red pression reducing valve



05_003_e

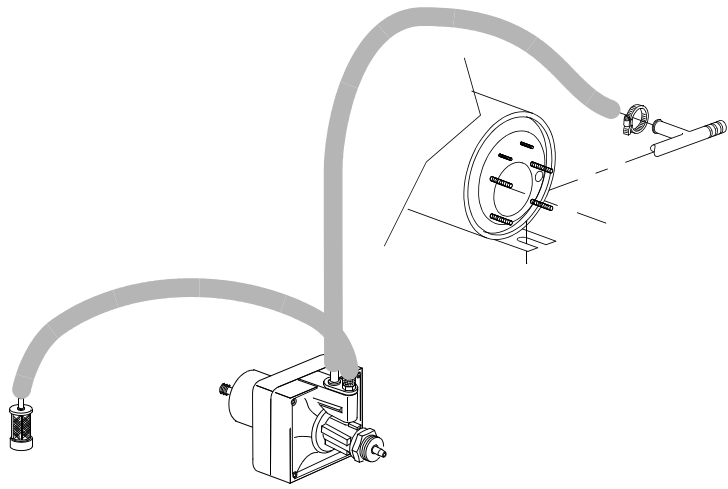
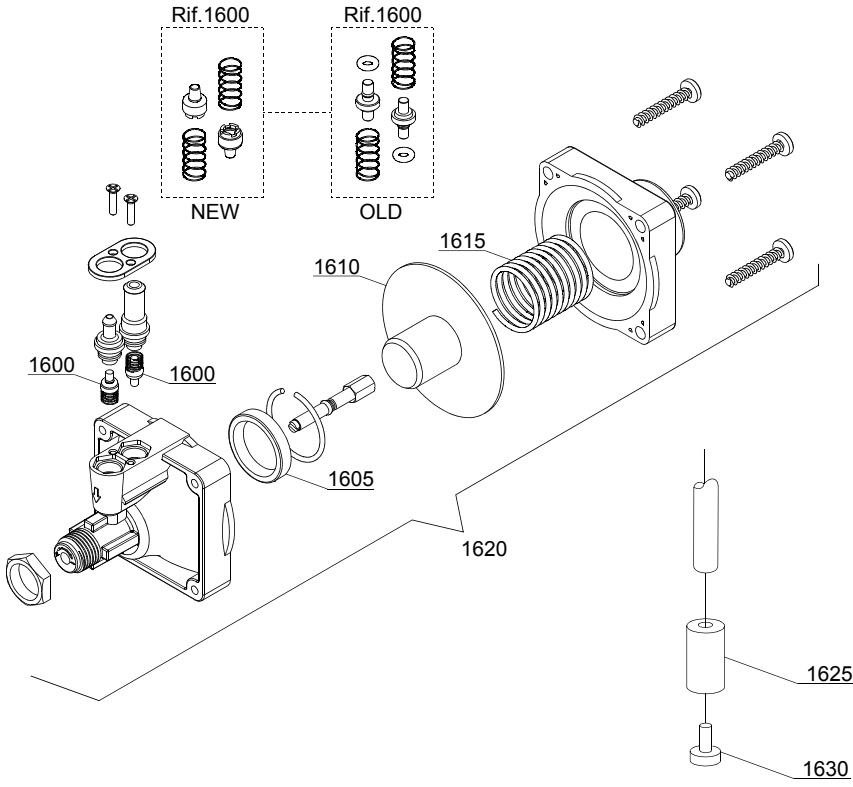
ID	P-code	Model	Type	Accessory	Voltage	Description
MODULE: Solenoid valve group						
810	15098		AQU35	cr,ws		Double solenoid valve - Ø10
815	15115		AQU35	cr,ws		Green pression solenoid valve
820	N.C.		AQU35	cr,ws		Pression reducing valve
825	15315		AQU35	cr,ws		Red pression reducing valve

09_004_e



Spare parts

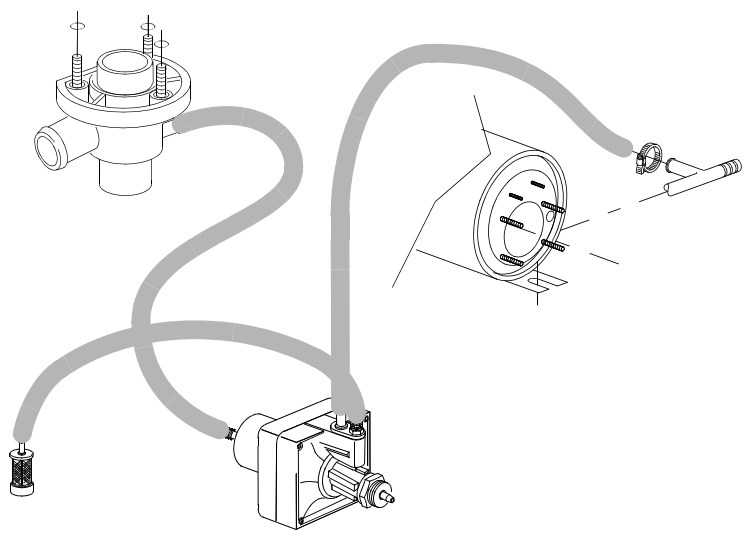
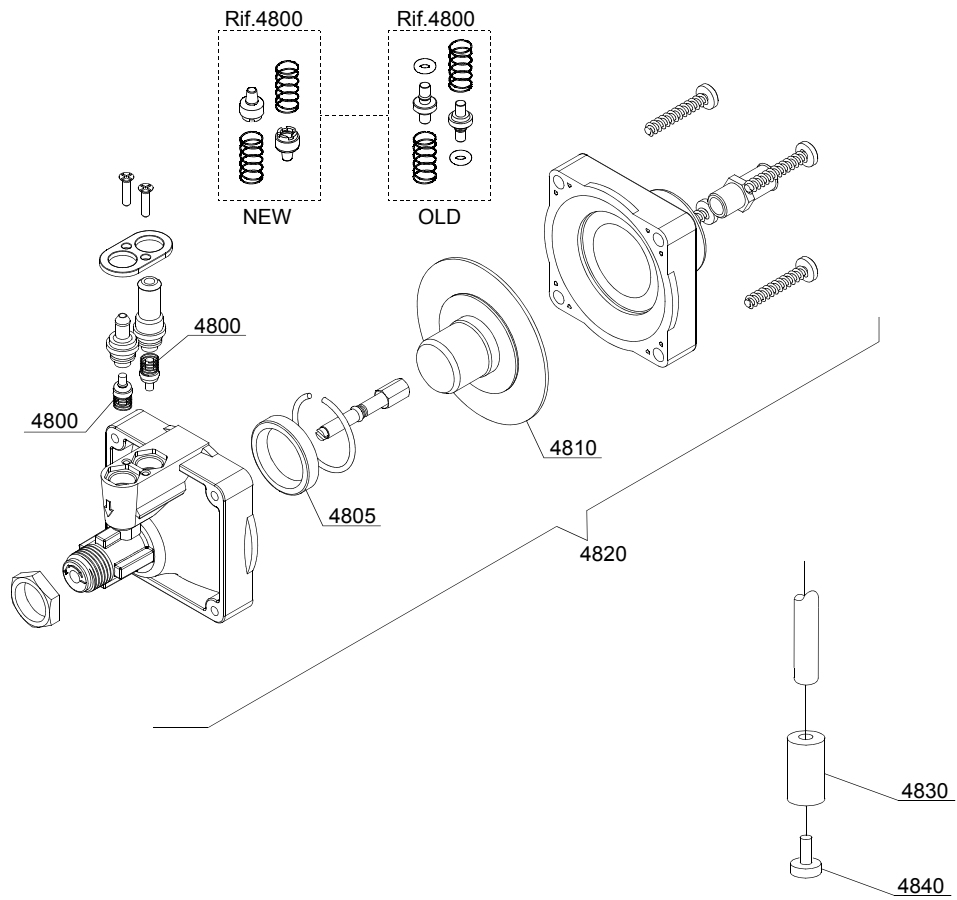
ID	P-code	Model	Type	Accessory	Voltage	Description
MODULE:Water softner assembly						
3500	16066/A		AQU35	ws		2 elements water softner
3510	16065		AQU35	ws		Salt container
3515	16067/A		AQU35	ws		OR O-ring
3520	16067/B		AQU35	ws		O-ring
3525	16067/C		AQU35	ws		Ring nut
3530	16067/D		AQU35	ws		Plug
3535	16082		AQU35	ws		Funnel



10_003_e

Spare parts

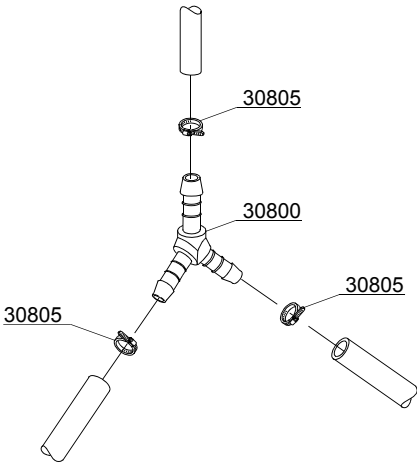
ID	P-code	Model	Type	Accessory	Voltage	Description
MODULE: Rinse aid dispenser group						
1600	10805		AQU35			Tecnopro non return valve
1605	10806		AQU35			Ø22 O-ring
1610	10807		AQU35			Membrane
1615	10808		AQU35			Spring
1620	10599999		AQU35			Rinse aid dispenser
1625	12525		AQU35			Counter-weight
1630	15058		AQU35			Small filter



10_004_e

Spare parts

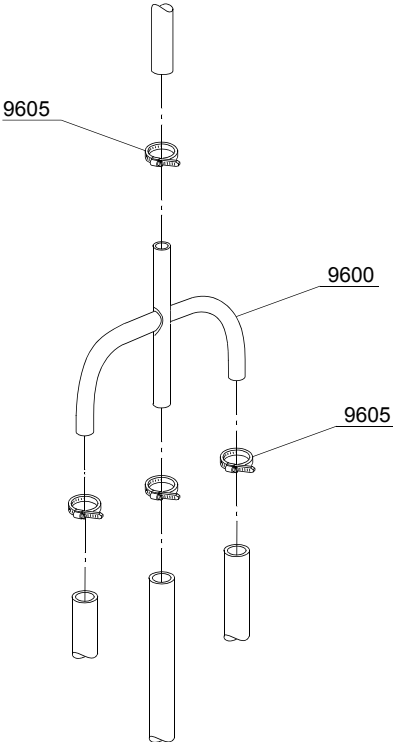
ID	P-code	Model	Type	Accessory	Voltage	Description
MODULE: Rinse aid dispenser group						
4800	10805		AQU35			Tecnopro non return valve
4805	10806		AQU35			Ø22 O-ring
4810	10807		AQU35			Membrane
4820	10799		AQU35			Rinse aid dispenser
4830	12525		AQU35			Counter-weight
4840	15058		AQU35			Small filter



12_003ae

Spare parts

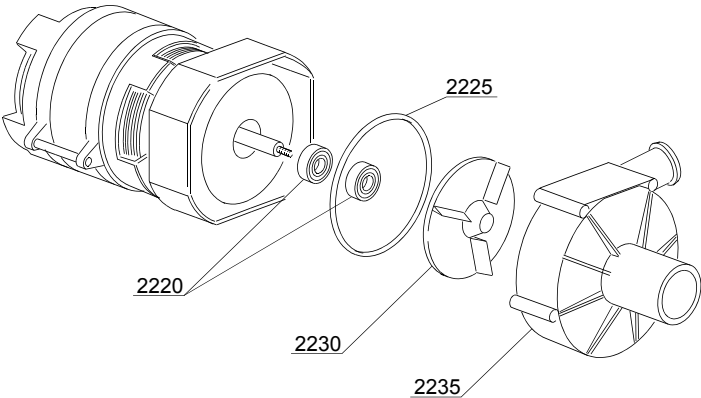
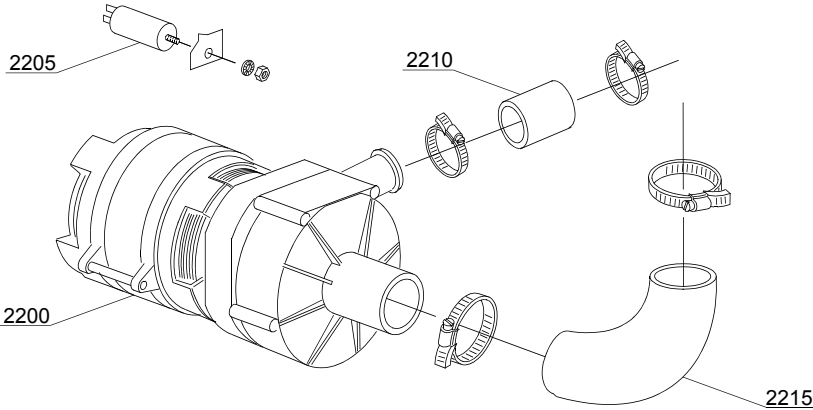
ID	P-code	Model	Type	Accessory	Voltage	Description
MODULE:3 ways connection						
30800	540090		AQU35			Ø10 mm plastic 3 ways connection
30805	11807		AQU35			12/22 clamp



12_004_e

Spare parts

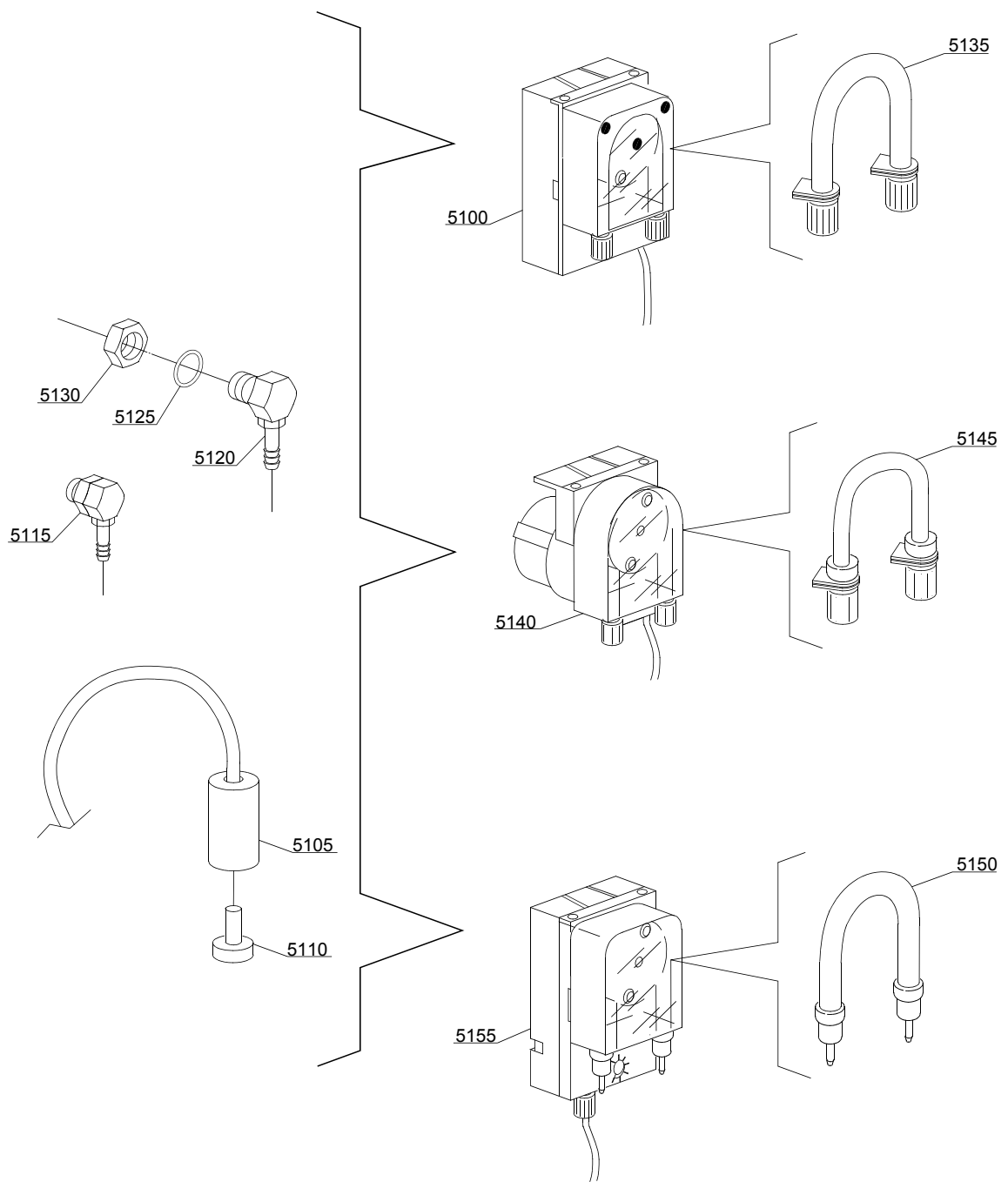
ID	P-code	Model	Type	Accessory	Voltage	Description
MODULE:4 ways connection						
9600	15151		AQU35	cr		Ø10 mm 4 ways connection
9605	11807		AQU35			12/22 clamp



13_002_e

Spare parts

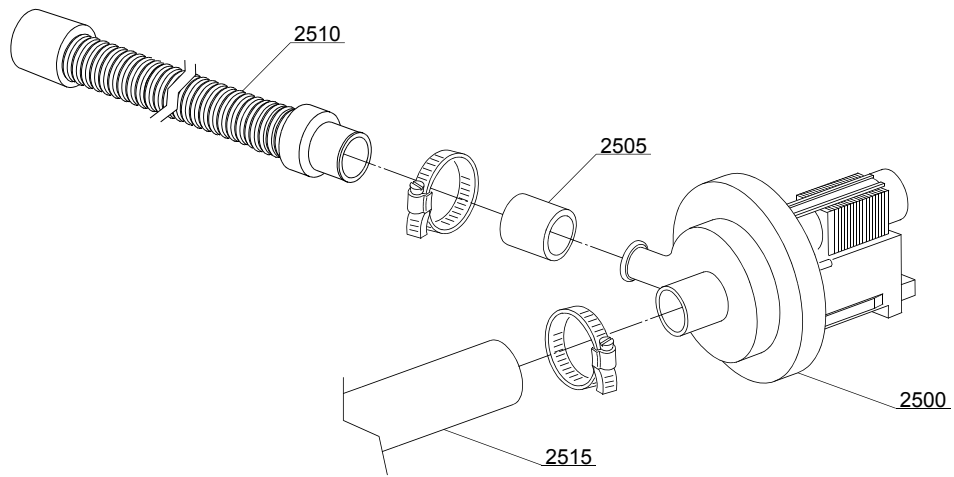
ID	P-code	Model	Type	Accessory	Voltage	Description
MODULE:Wash pump						
2200	10501/A		AQU35			0,10 Hp wash pump
2200	10501/D		AQU35			0,10 Hp wash pump - 220VAc 60Hz
2205	10702		AQU35			5 uF condenser
2210	10718		AQU35			Pump pipe coupling
2215	18787		AQU35			Suction pipe coupling
2220	10505		AQU35			Pump shaft O-rings
2225	10506		AQU35			79,8x2,6 OR O-ring
2230	10504		AQU35			Pump rotor
2235	10502		AQU35			Scroll



14_004_e

Spare parts

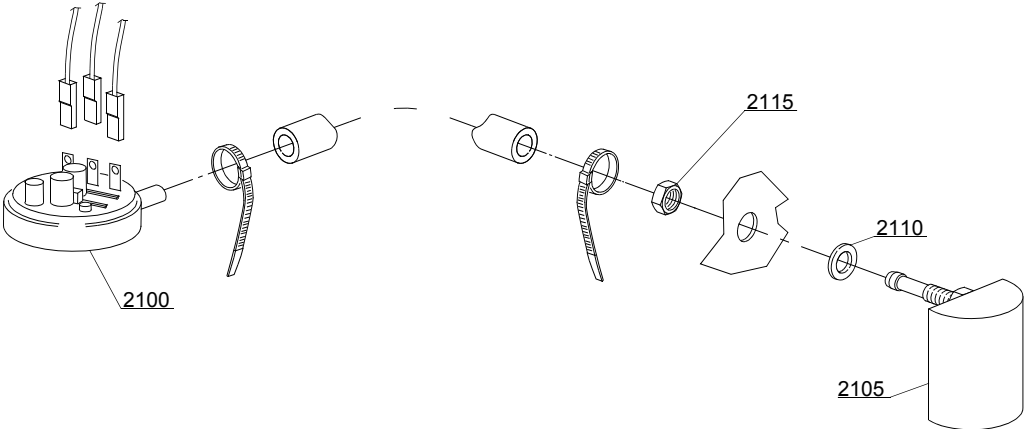
ID	P-code	Model	Type	Accessory	Voltage	Description
MODULE:Dosing detergent group						
5100	15985		AQU35	dd		Seko detergent pump
5105	12525		AQU35	dd		Counter-weight
5110	15058		AQU35	dd		Small filter
5115	15123		AQU35	dd		Compleat plastic injector
5120	15148		AQU35	dd		Steel injector
5125	15159		AQU35	dd		OR O-ring
5130	10200205		AQU35	dd		M12x1 stainless steel nut
5135	15185		AQU35	dd		Ø 10 Seko thermoplastic pipe
5140	15985		AQU35	dd		Germac detergent pump
5145	15108/E		AQU35	dd		Ø 8 Germac thermoplastic pipe
5150	15985/A		AQU35	dd		Ø 10 PLAS CONT thermoplastic pipe
5155	15985		AQU35	dd		PLAS CONT detergent pump



15_004_e

Spare parts

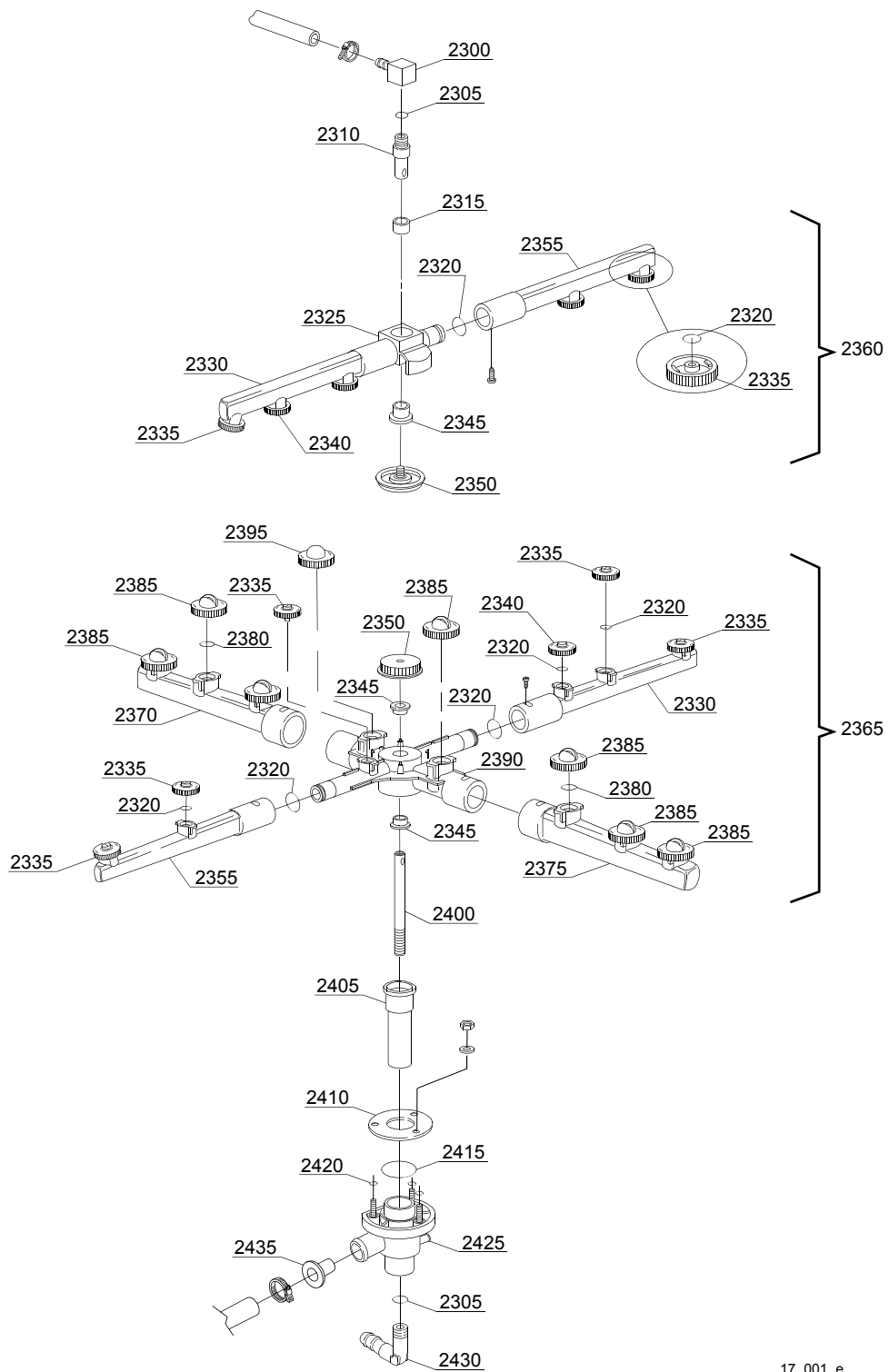
ID	P-code	Model	Type	Accessory	Voltage	Description
MODULE:Drain pump group						
2500	15101		AQU35	dp		Drain pump 220/240V 50Hz
2505	15101/D		AQU35	dp		Pipe fitting
2510	10727		AQU35	dp		Drain pipe
2515	10718		AQU35	dp		Drain coude/pump connection pipe



16_001_e

Spare parts

ID	P-code	Model	Type	Accessory	Voltage	Description
MODULE:Pressure switch group with air trap						
2100	10706/A		AQU35			47-27 pressure switch
2105	135911/C		AQU35			Grey air trap assembly
2110	13301		AQU35			O-ring
2115	11702		AQU35			M8 stainless steel nut



17_001_e

Spare parts

ID	P-code	Model	Type	Accessory	Voltage	Description
MODULE:Turret group with rotating arms						
2300	350402		AQU35			Top turret rinse hub
2305	13003		AQU35			OR 112 NBR O-ring
2310	350401		AQU35			Lower axle rinse hub
2315	13320		AQU35			Sliding washer
2320	13002		AQU35			OR R6 NBR O-ring
2325	10373		AQU35			Rinse rotor
2330	10375		AQU35			Left rinse pipe
2335	10371		AQU35			Opened rinse nozzle
2340	10372		AQU35			Closed rinse nozzle
2345	13319		AQU35			Sliding washer
2350	10377		AQU35			Handle with insert
2355	10374		AQU35			Right rinse pipe
2360	10997		AQU35			Top rinse group
2365	10999		AQU35			Wash/rinse group
2370	10367		AQU35			Right wash pipe
2375	10368		AQU35			Left wash pipe
2380	13009		AQU35			OR 2050 NBR O-ring
2385	10369		AQU35			Opened rinse nozzle
2390	10376		AQU35			Wash rotor
2395	10370		AQU35			Closed wash nozzle
2400	19003		AQU35			10x1x190 stainless steel ground axle
2405	19250		AQU35			Bell-shape assembly with pipe coupling
2410	16038		AQU35			Ø60 stainless steel disk
2415	13000		AQU35			OR 3125 NBR O-ring
2420	13001		AQU35			OR 104 NBR O-ring
2425	10205/B		AQU35			Lower grey wash turret
2425	10205/C		AQU35			Lower grey wash turret
2430	12030		AQU35			3/8M Ø12 elbow pipe fitting
2435	18249		AQU35			Flux reducer