

DISHWASHER

ELECTROMECHANICAL SWITCHES
LOWER AND UPPER WASHING

TYPE: 38U

Accessories

BOOSTER PUMP

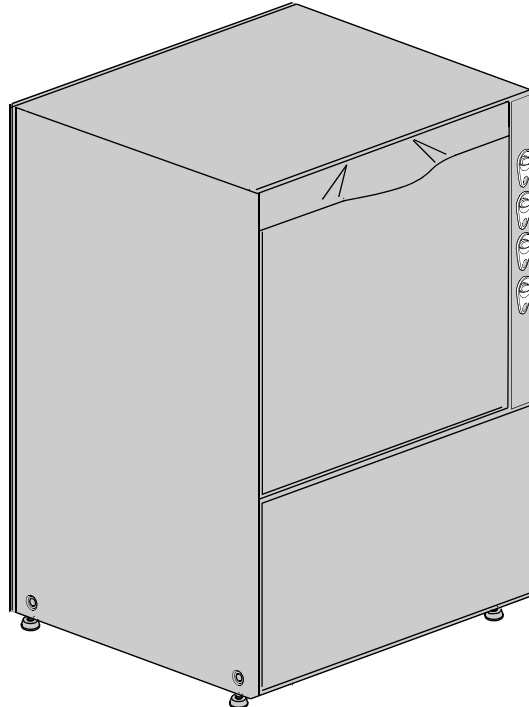
DVGW

WATER SOFTNER

DETERGENT DISPENSER

DRAIN PUMP

Spare parts manual



1. Spare parts

General body parts.....	7
Lockup system	9
Control panel and switches.....	11
Electric control components.....	13
Solenoid valve group	15
Solenoid valve group	17
Booster pump.....	19
DVGW	21
Water softner group.....	23
Rinse aid dispenser group.....	25
Boiler group	27
Connection group	29
Wash pump	31
Dosing detergent group.....	33
Dosing detergent group.....	35
Drain pump group.....	37

Pressure switch group with air trap ...39

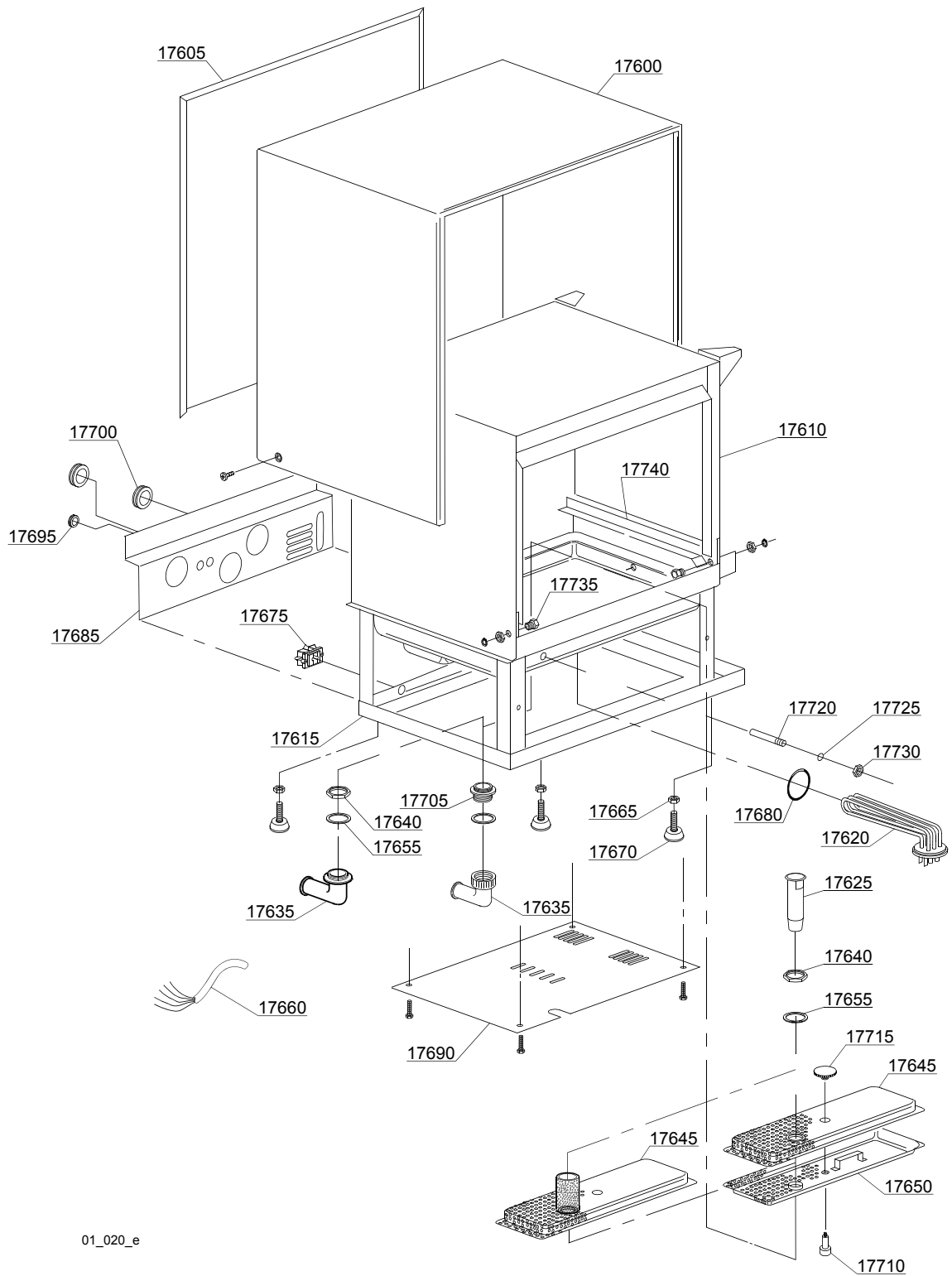
Turret group with rotating arms41

1.1 Voltage codes

Voltage code	Voltage
A	3/N/PE~400/230V 50Hz
B	~250V 16A 50Hz
C	3/N/PE~380/220V 50Hz
D	3/PE~200V 50-60Hz
F	2/PE 220-240V 50Hz
G	3/N/PE~415/240V 50Hz
H	3/PE~230V 50Hz
I	3/PE~220V 60Hz
J	3/PE~380 50Hz
K	3/PE~400V 50Hz
L	3/PE~415V 50Hz
M	3/PE~440V 60Hz
N	3/PE~460V 60Hz
O	3/PE~480V 60Hz
P	1/N/PE~220-240V 50Hz
R	2/PE~220-230V 60Hz
S	3/N/PE~400/230V 50Hz
T	3/PE~230V 60Hz

1.2 Product codes

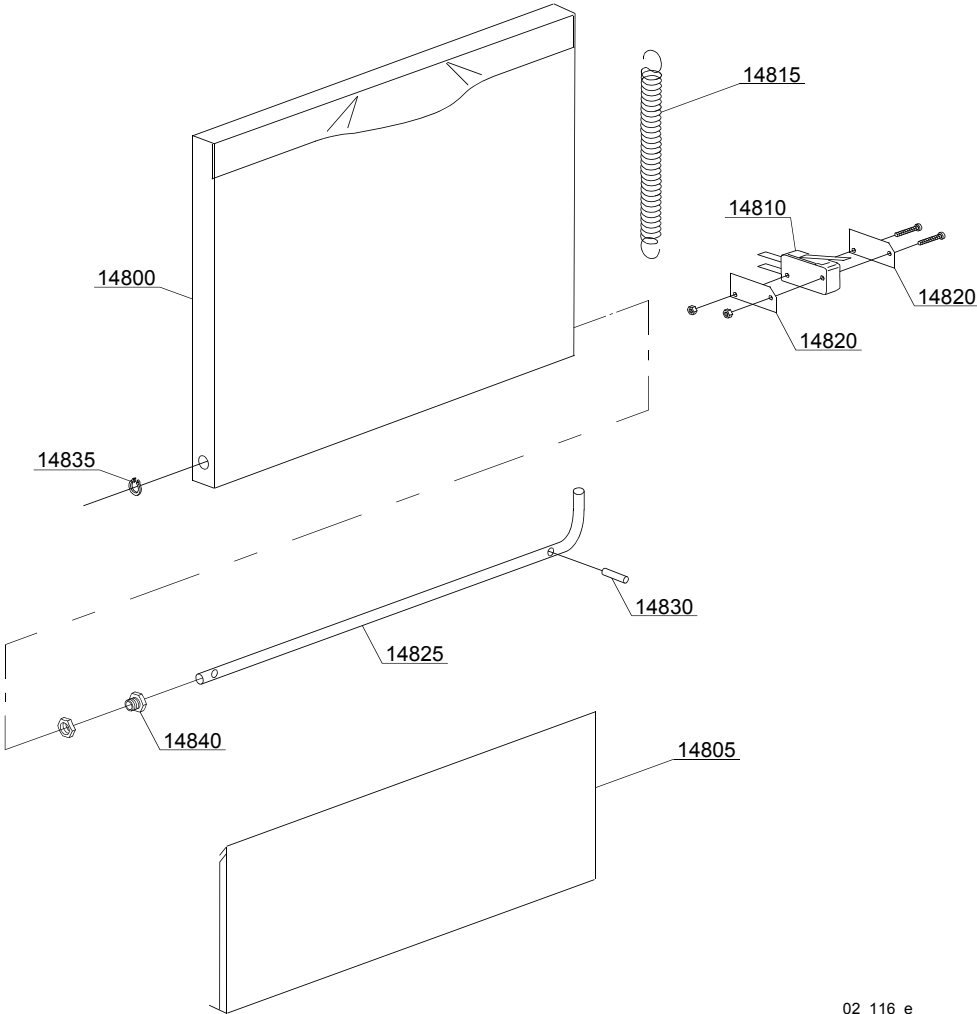
Product code	Full name
Model codes	
em	ELECTROMECHANICAL SWITCHES
ls	LOWER AND UPPER WASHING
Type codes	
38U	38U
Accessory codes	
pap	BOOSTER PUMP
dvgw	DVGW
fs	COLD RINSE
d	WATER SOFTNER
dde	DETERGENT DISPENSER
ps	DRAIN PUMP



01_020_e

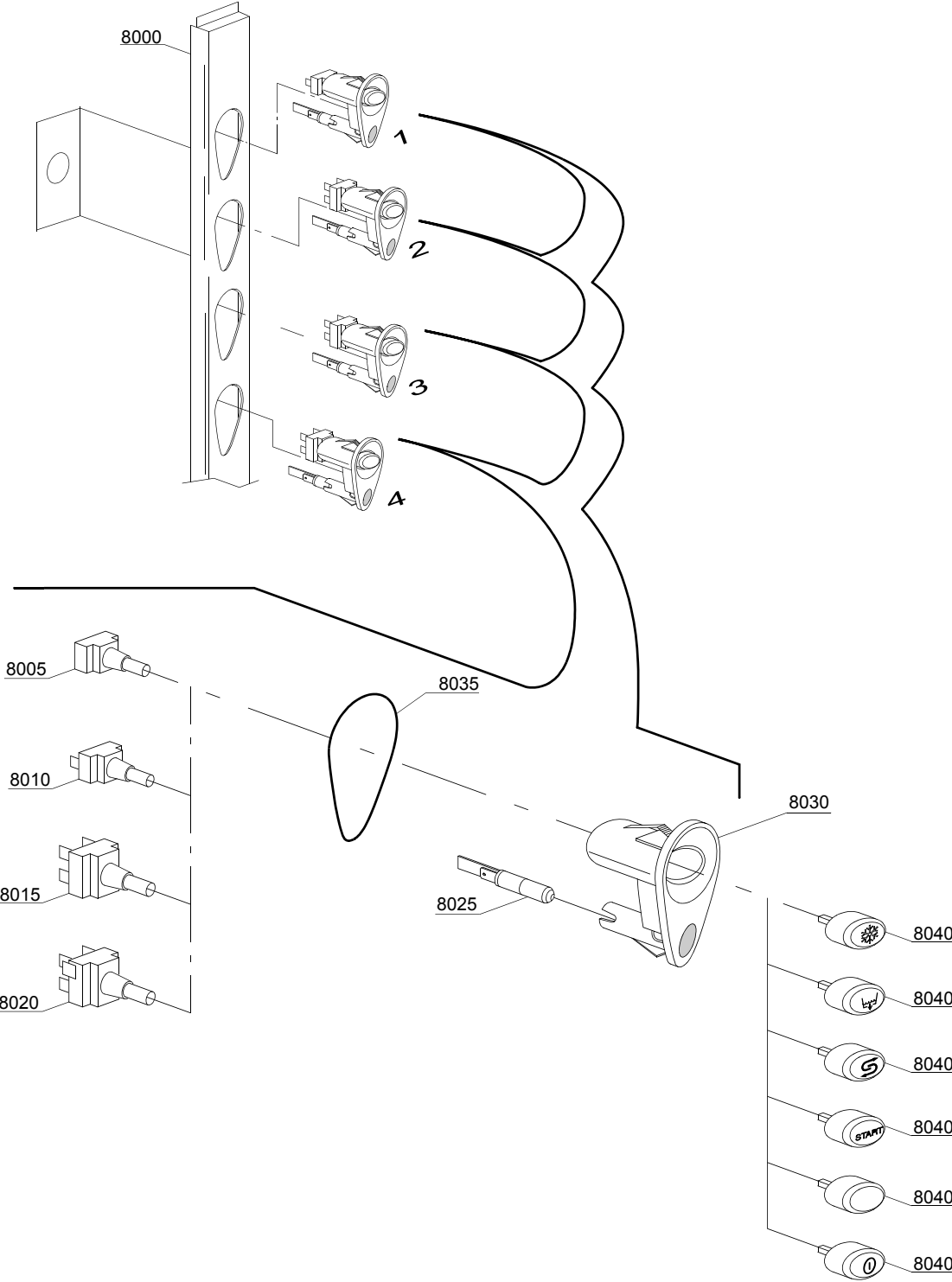
Spare parts

ID	P-code	Model	Type	Accessory	Voltage	Description
MODULE:General body parts						
17600	575909		38U			Cover
17605	575908		38U			Back panel
17610	575901		38U			Body
17610	575917		38U	ws		Body
17615	575900		38U			Base
17620	15047/E		38U			2,5 KW heating element
17620	15047/A		38U			2,7/2,94KW 230/240V 3 heating element
17625	15126		38U			Overflow pipe
17625	150320		38U	dp		Overflow pipe
17635	15613		38U			Drain elbow
17635	10701		38U	dp		Drain elbow
17640	11701/A		38U			Stainless steel nut
17645	15932		38U			Top filter assembly
17645	15970		38U	dp		Top filter assembly
17650	15933		38U			Rectangular steel filter
17655	13305		38U			44x32x3 O-ring
17660	15118		38U			5x2,5x2500 cable
17660	15104/B		38U			3x4x2500 cable
17665	11711		38U			M10 zinc plated nut
17670	10786		38U			M10x25 Ø40 black foot
17675	15065/A		38U			Cable-fastener with screw
17680	13005		38U			OR 151 NBR O-ring
17685	575907		38U			End piece protection
17690	15133		38U			End piece protection
17695	13323		38U			Ø13mm lead through rubber
17700	13317		38U			Ø40mm lead through rubber
17705	15063		38U			Steel floor drain
17710	15105		38U			Compleat steel lock-filter
17715	15209		38U			Pin for filter fixing
17720	12510		38U			Thermostat feeler-holder
17725	13309		38U			10x14x1,5 O-ring
17730	11714		38U			M10x1 stainless steel nut for thermostat feeler-holder
17735	11835		38U			Brass bush with nut
17740	575904		38U			Right internal slide
17740	575905		38U			Left internal slide



02_116_e

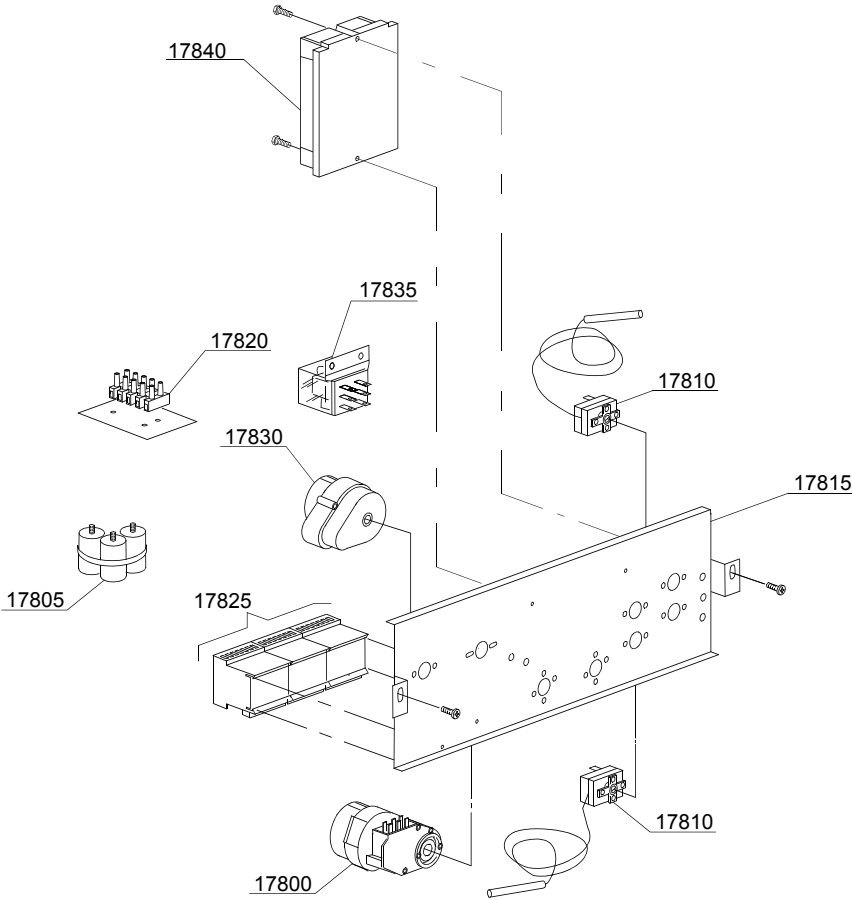
ID	P-code	Model	Type	Accessory	Voltage	Description
MODULE: Lockup system						
14800	575930		38U			Door with stainless steel handle
14805	575910		38U			Lower door
14810	10704		38U			Door microswitch
14815	10700/A		38U			Spring
14820	10770		38U			Insulation for door microswitch
14825	15009		38U			Rod door
14830	11501		38U			M5x20 grub-screw
14835	11815		38U			Ø8 stainless steel snap ring
14840	11835		38U			Brass bush with nut



03_015_e

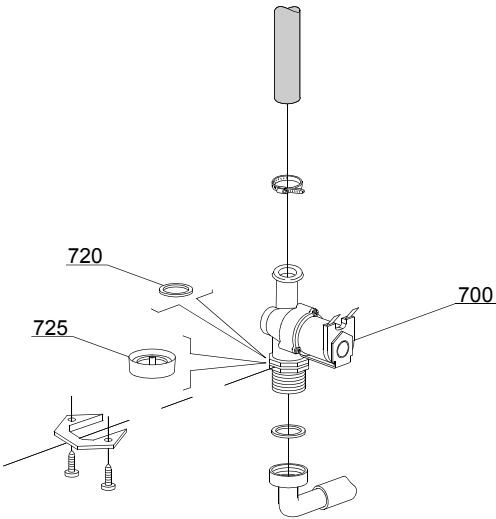
Spare parts

ID	P-code	Model	Type	Accessory	Voltage	Description
MODULE:Control panel and switches						
8000	575935		38U			Gastro 500 control panel
8005	15844		38U			Push button support
8010	15813		38U			16A unipolar switch
8015	15812		38U			16A switch
8025	15826		38U			Pilot light
8030	89300		38U			Push button support
8035	89332		38U			OR O-ring
8040	89343		38U	dp		Drain pump push button
8040	89341		38U			Start push button
8040	89348		38U			Blind push button
8040	89340		38U			ON-OFF push button
8040	89345		38U	ws		Regeneration push button



04_018_e

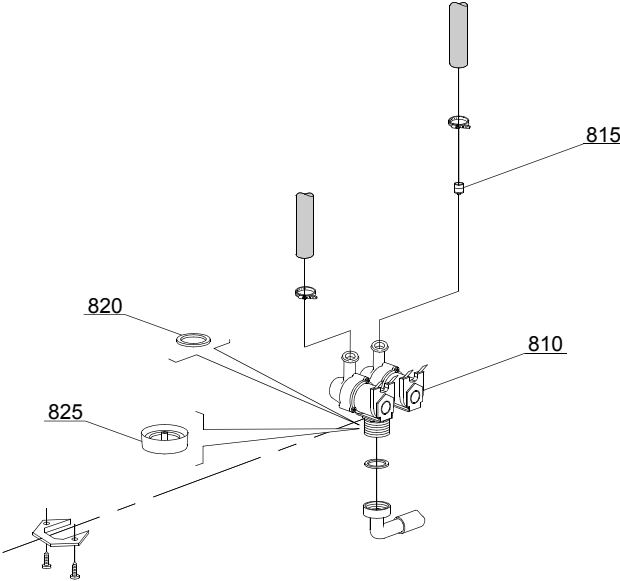
ID	P-code	Model	Type	Accessory	Voltage	Description
MODULE:Electric control components						
17800	10708/B		38U		A	120" timer - 60Hz
17800	10708/N		38U		A	90" timer with thermostat
17805	15149		38U			Low noise filter
17810	10707/1		38U			0-90°C thermostat
17815	575906		38U			Electric components panel
17820	15119		38U			Terminal board
17825	15086		38U			Contactator 230V 50/60Hz 4C
17825	15086/B		38U			Contactator 240V 50Hz
17825	15086/T		38U			200Vac3N 50/60HZ contactor
17830	16064/A		38U	ws		Regeneration timer
17835	15620		38U	dp,ws		16A bipolar relay
17840	50553		38U			3 times electronic timer with regeneration



05_002_e

Spare parts

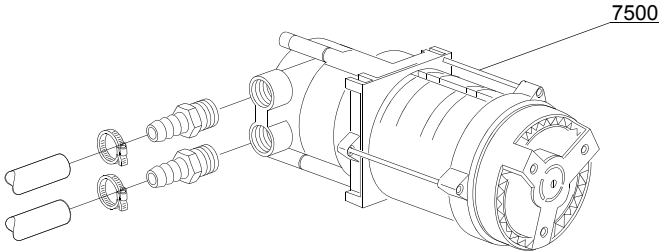
ID	P-code	Model	Type	Accessory	Voltage	Description
MODULE: Solenoid valve group						
700	10703		38U			Single solenoid valve
720	N.C.		38U			Pression reducing valve



05_003_e

Spare parts

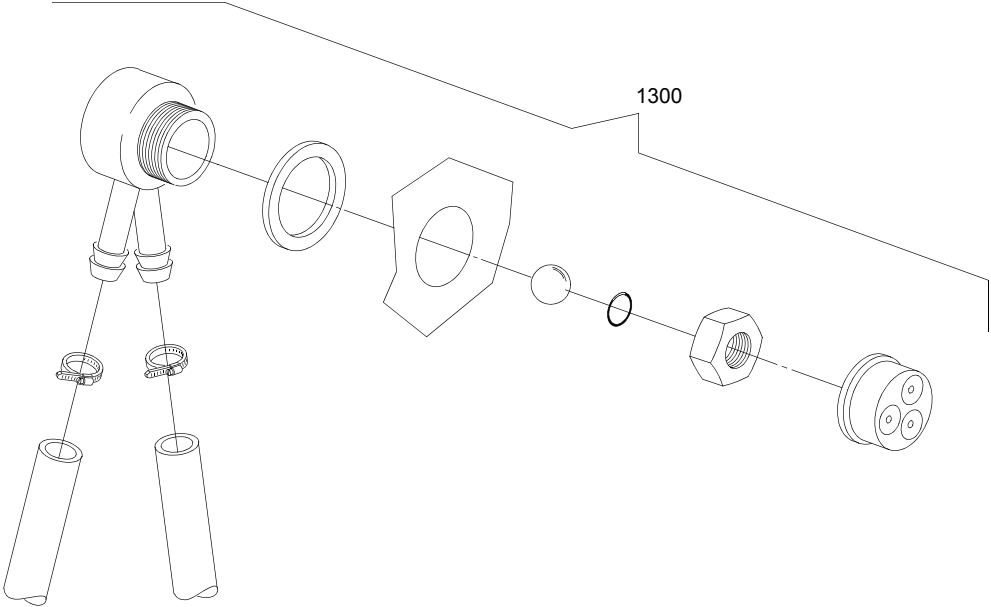
ID	P-code	Model	Type	Accessory	Voltage	Description
MODULE: Solenoid valve group						
810	15098		38U	cr,ws		Double solenoid valve - Ø10
820	N.C.		38U	cr,ws		Pression reducing valve



07_003_e

Spare parts

ID	P-code	Model	Type	Accessory	Voltage	Description
MODULE:Booster pump						
7500	15100/D		38U	bp		Booster pump 220-240/50

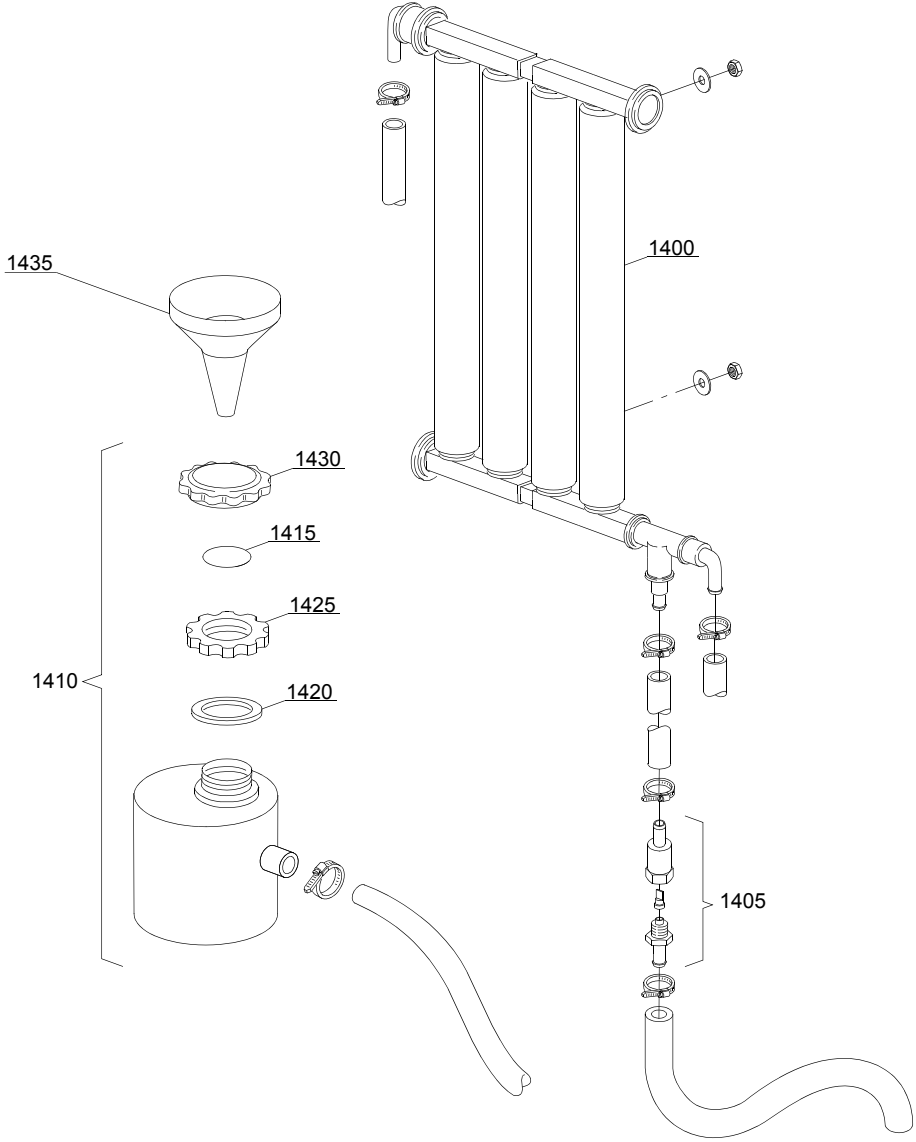


08_005_e

Spare parts

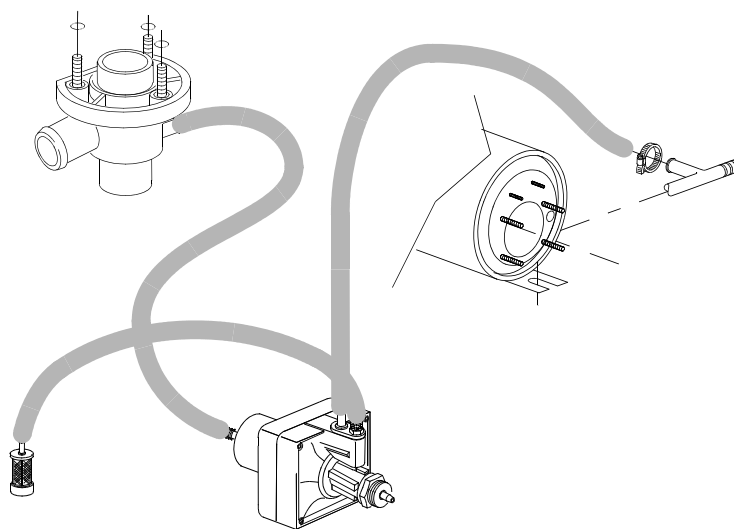
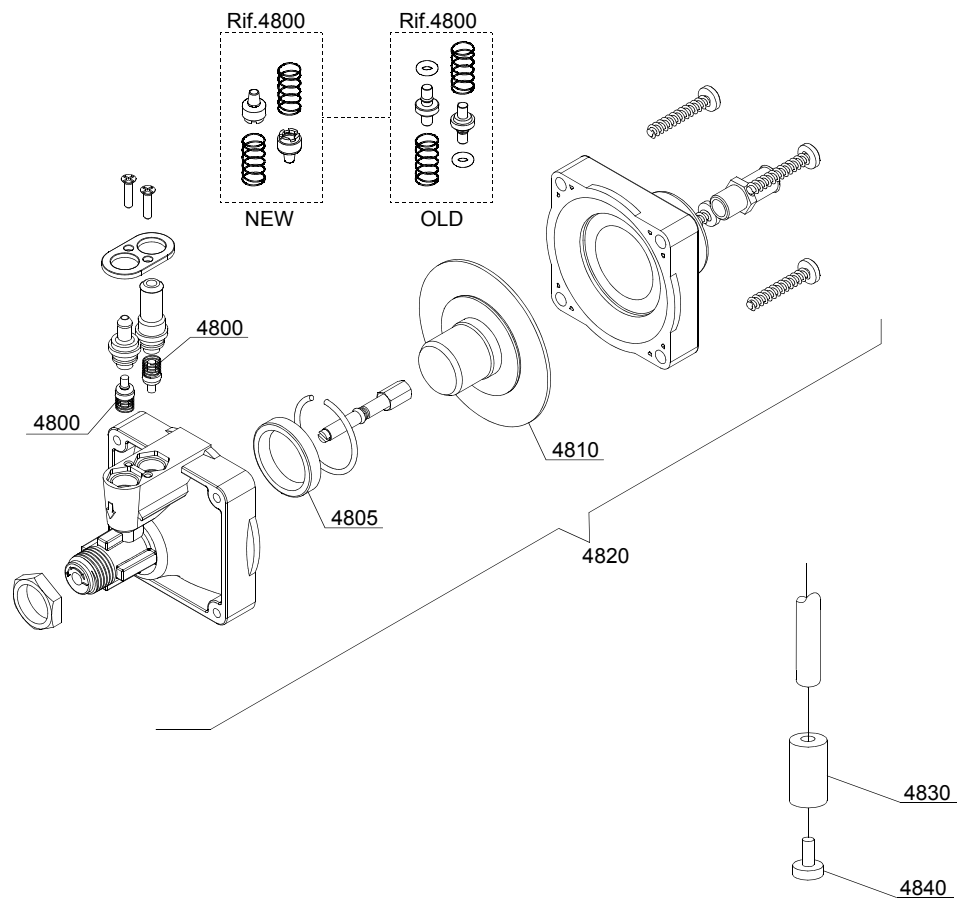
ID	P-code	Model	Type	Accessory	Voltage	Description
MODULE:DVGW						
1300	999900006		38U	dvgw		DVGW assembly

09_001_e



Spare parts

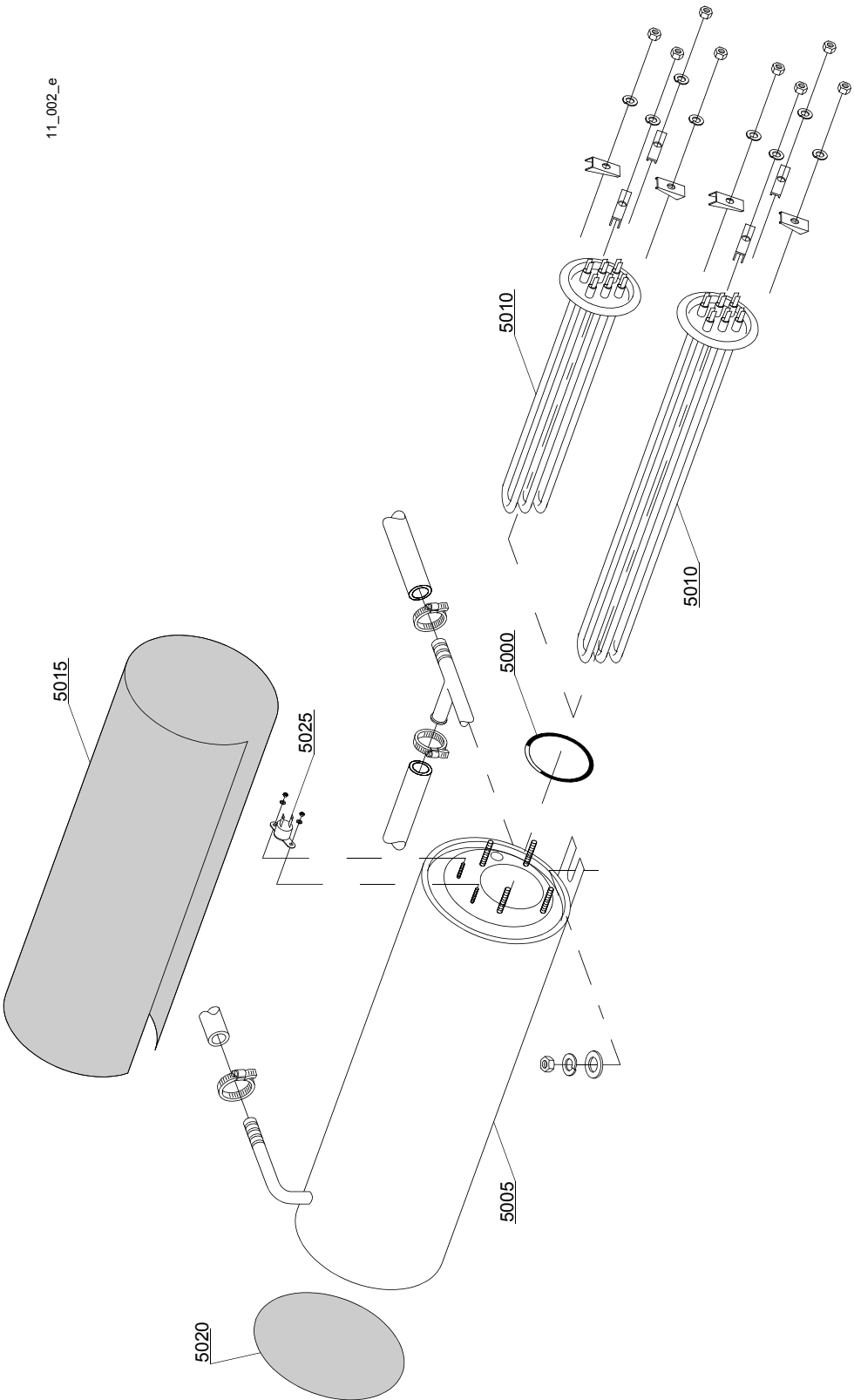
ID	P-code	Model	Type	Accessory	Voltage	Description
MODULE:Water softner group						
1400	16066		38U	ws		4 elements water softner
1405	16070		38U	ws		Nonreturn valve
1410	16065		38U	ws		Salt container
1415	16067/A		38U	ws		OR O-ring
1420	16067/B		38U	ws		O-ring
1425	16067/C		38U	ws		Ring nut
1430	16067/D		38U	ws		Plug
1435	16082		38U	ws		Funnel



10_004_e

Spare parts

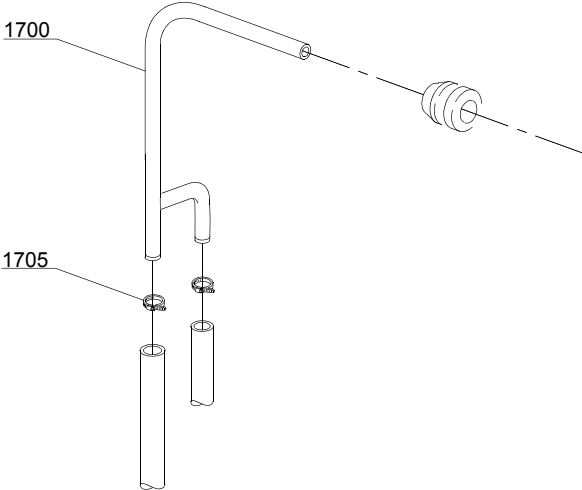
ID	P-code	Model	Type	Accessory	Voltage	Description
MODULE: Rinse aid dispenser group						
4800	10805		38U			Tecnopro non return valve
4805	10806		38U			Ø22 O-ring
4810	10807		38U			Membrane
4820	10799		38U			Rinse aid dispenser
4830	12525		38U			Counter-weight
4840	15058		38U			Small filter



Spare parts

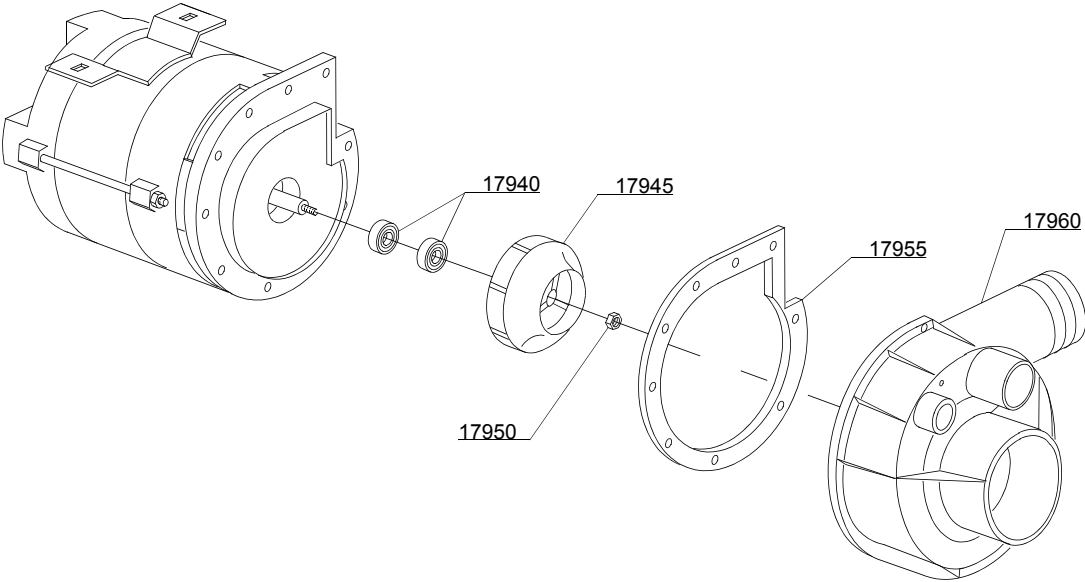
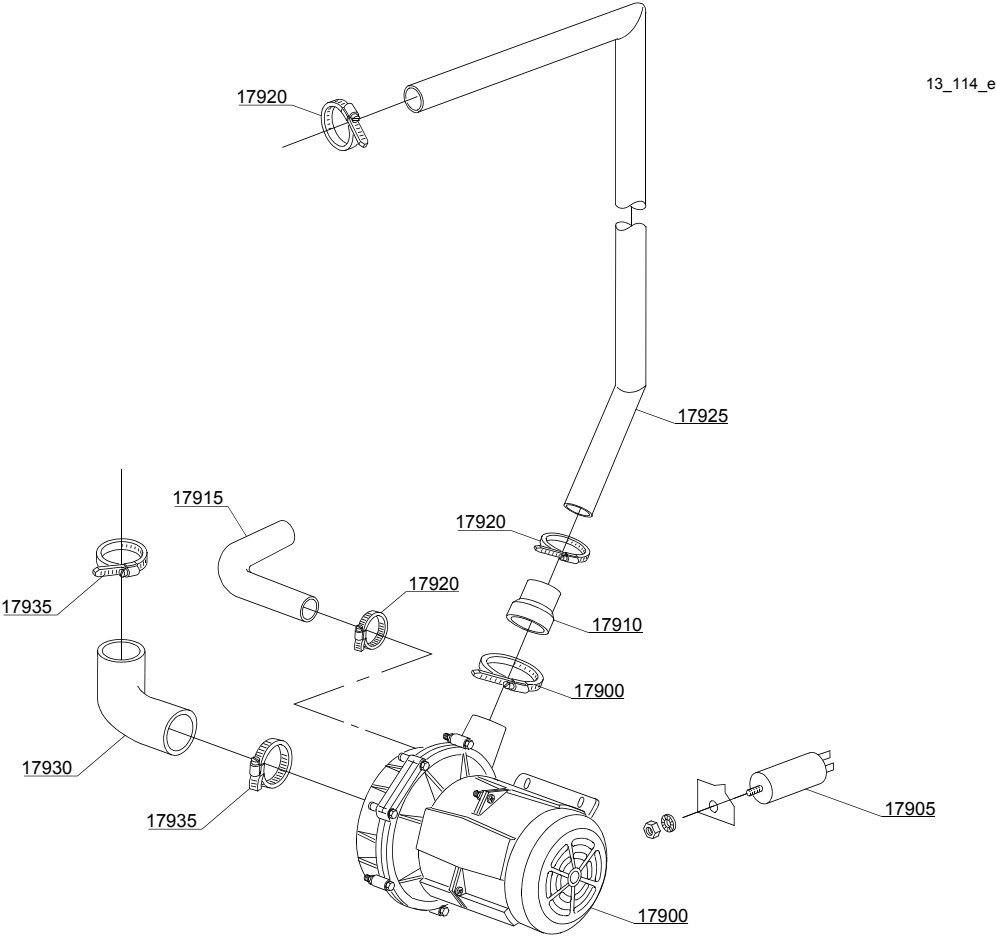
ID	P-code	Model	Type	Accessory	Voltage	Description
MODULE:Boiler group						
5000	13005		38U			OR 151 NBR O-ring
5005	150905		38U			Boiler
5010	15089		38U			4,5/4,9KW 230/240/3 heating element
5010	15046		38U			3/3,27KW 230/240/3 heating element
5015	15066		38U			Insulation boiler
5020	15205		38U			Ø160 end piece
5025	15550		38U			Safety thermostat

12_007_e



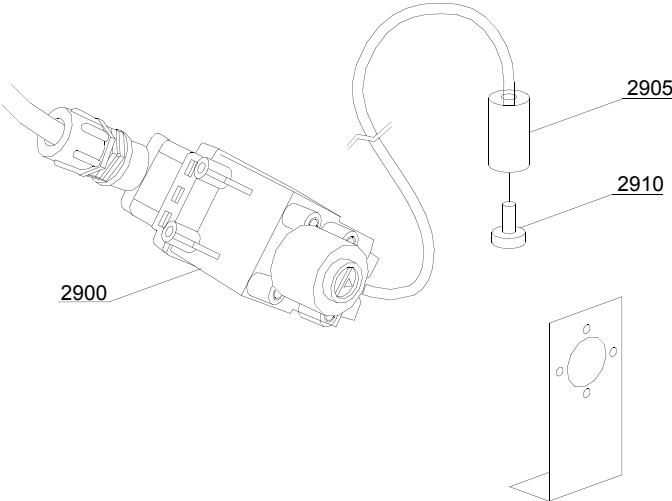
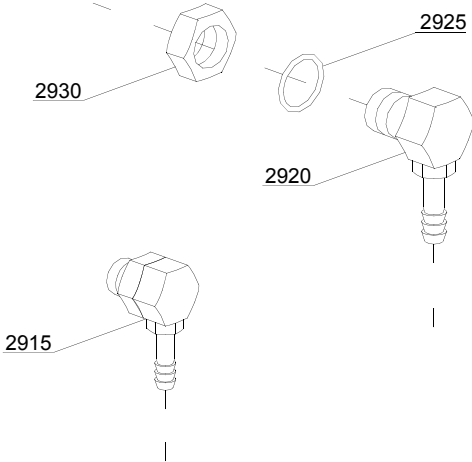
Spare parts

ID	P-code	Model	Type	Accessory	Voltage	Description
MODULE:Connection group						
1700	15045/B		38U			3 ways connection
1705	11807		38U			12/22 clamp



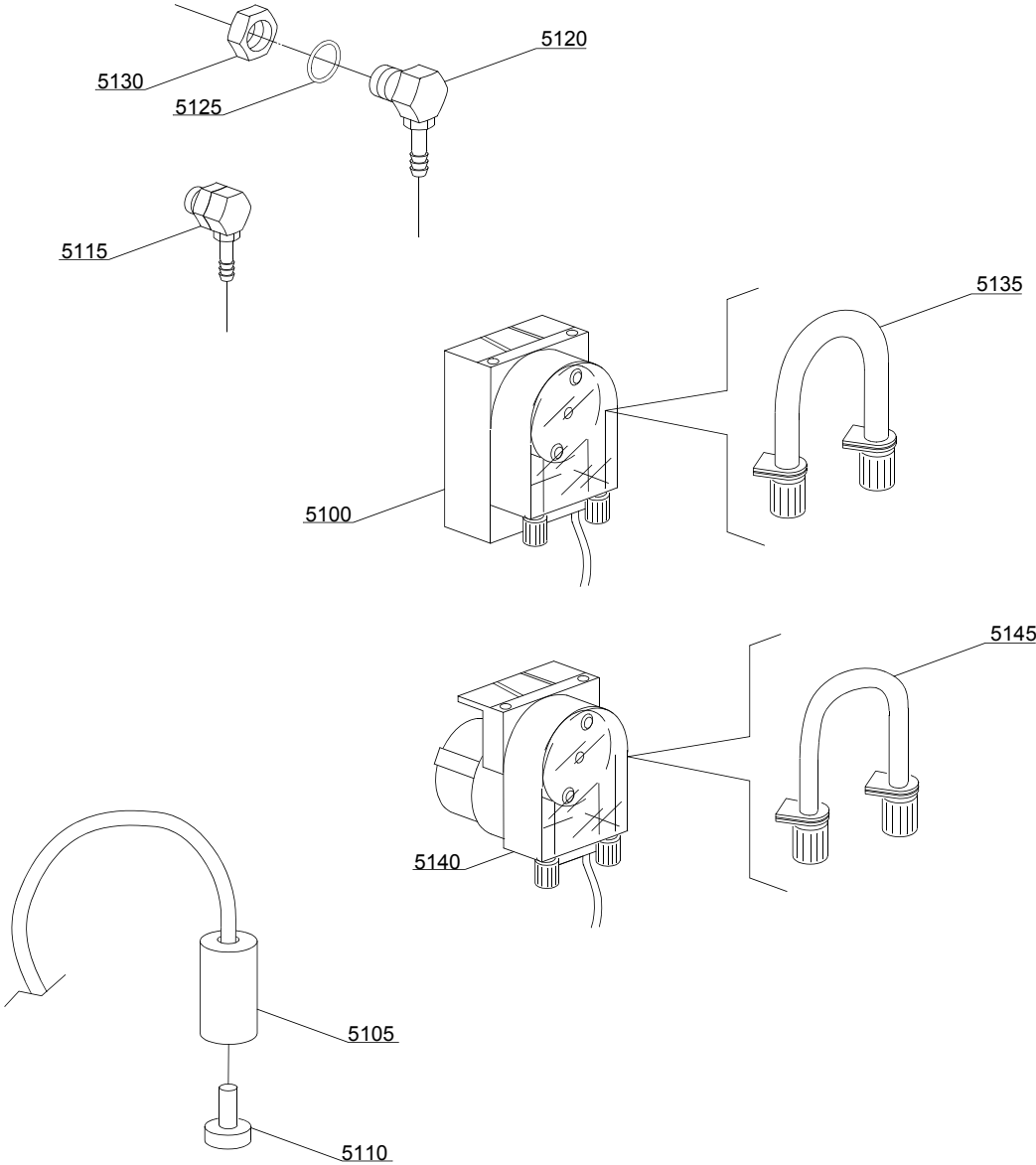
ID	P-code	Model	Type	Accessory	Voltage	Description
MODULE:Wash pump						
17900	15908/D		38U		A	0,74 kW wash pump
17905	15081		38U			12,5 uF condenser
17910	15034		38U			Reduction pipe coupling
17915	15033		38U			Lower wash delivery pipe
17920	11806		38U			25/40 clamp
17925	575000		38U			Top wash ramp
17930	15032/A		38U			Suction pipe coupling
17935	11824		38U			50/70 clamp
17940	15080/C		38U			Rotating seals
17945	15912		38U			Pump rotor
17950	11724		38U			M6 stainless steel nut
17955	15079/D		38U			O-ring
17960	15031/E		38U			Scroll

14_002_e



Spare parts

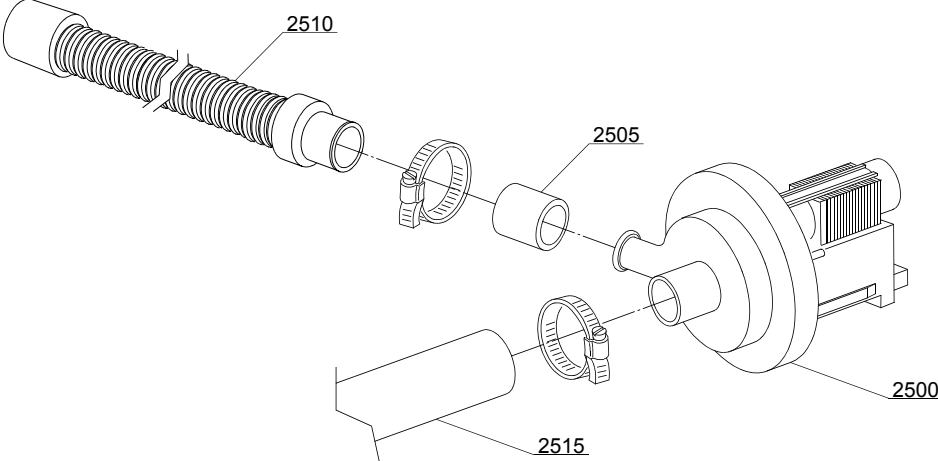
ID	P-code	Model	Type	Accessory	Voltage	Description
MODULE:Dosing detergent group						
2900	15108/L		38U	dd		Lang detergent pump
2905	12525		38U	dd		Counter-weight
2910	15058		38U	dd		Small filter
2915	15123		38U	dd		Compleat plastic injector
2920	15148		38U	dd		Steel injector
2925	15159		38U	dd		OR O-ring
2930	10200205		38U	dd		M12x1 stainless steel nut



14_004_e

Spare parts

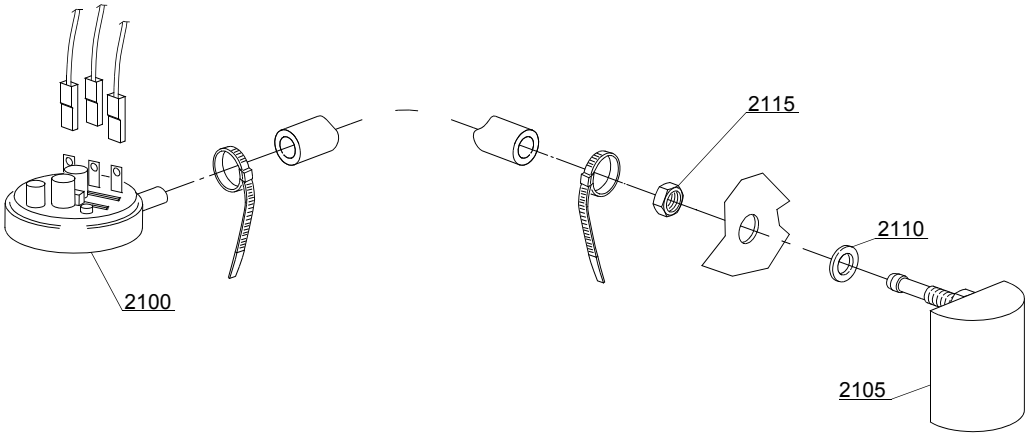
ID	P-code	Model	Type	Accessory	Voltage	Description
MODULE:Dosing detergent group						
5100	15985		38U	dd		Seko detergent pump
5105	12525		38U	dd		Counter-weight
5110	15058		38U	dd		Small filter
5115	15123		38U	dd		Compleat plastic injector
5120	15148		38U	dd		Steel injector
5125	15159		38U	dd		OR O-ring
5130	10200205		38U	dd		M12x1 stainless steel nut
5135	15185		38U	dd		Seko thermoplastic pipe
5140	15985		38U	dd		Germac detergent pump
5145	15108/E		38U	dd		Germac thermoplastic pipe



15_004_e

Spare parts

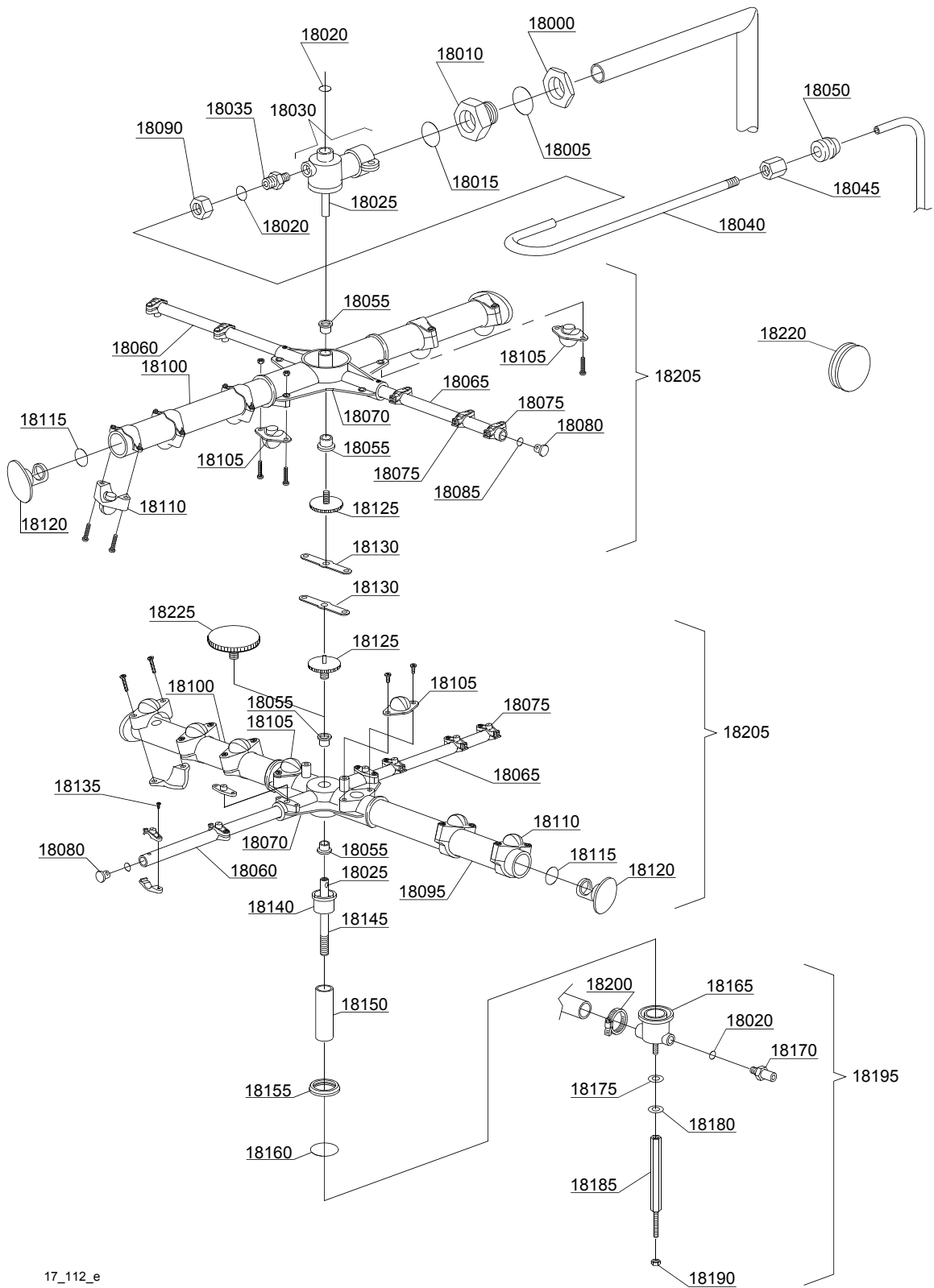
ID	P-code	Model	Type	Accessory	Voltage	Description
MODULE:Drain pump group						
2500	15101		38U	dp		Drain pump 220/240V 50Hz
2505	15101/D		38U	dp		Pipe fitting
2510	10727		38U	dp		Drain pipe
2515	18767		38U	dp		Drain coude/pump connection pipe



16_001_e

Spare parts

ID	P-code	Model	Type	Accessory	Voltage	Description
MODULE:Pressure switch group with air trap						
2100	10706/A		38U			47-27 pressure switch
2105	10911/D		38U			Air trap assembly
2110	13301		38U			O-ring
2115	11702		38U			M8 stainless steel nut



17_112_e

Spare parts

ID	P-code	Model	Type	Accessory	Voltage	Description
MODULE:Turret group with rotating arms						
18000	15042/A		38U			Nut
18005	13008		38U			OR 147 NBR O-ring
18010	15042		38U			"1" 1/4 ring nut"
18015	13004		38U			OR 3137 NBR O-ring
18020	13003		38U			OR 112 NBR O-ring
18025	15300		38U			Ø10x51 lower/top rinse axle
18030	15069/C		38U			Top wash/rinse distributor assembly
18035	12006		38U			Ø10 rinse pipe fitting
18040	15045		38U			Top rinse ramp
18045	12526		38U			Stainless steel nut coupling
18050	13304		38U			Pipe-pass O-ring
18055	13319		38U			Sliding washer
18060	15575		38U			Right rinse pipe
18065	15576		38U			Left rinse pipe
18070	10209		38U			4 ways big rotor
18075	12528		38U			Ø10 complet rinse nozzle
18080	12532		38U			Ø10 plastic plug
18085	13016		38U			2018 OR 103 NBR O-ring
18090	12006/A		38U			Ø10 pipe fitting 3/8x3,5 nut 19 hexagonal
18095	15571		38U			Ø28 right wash pipe
18100	15572		38U			Ø28 left wash pipe
18105	10218		38U			Ø28 opened plane nozzle
18110	10211		38U			Ø28 raised nozzle
18115	13018		38U			OR 2087 NBR O-ring
18120	10257		38U			Ø28 plastic plug
18125	11101/I		38U			Stainless steel group fixing screw
18130	10210		38U			Blocking ring nut rotor plaque
18135	11121		38U			TCB M4x8 steel screw
18140	15040/A		38U			Lower wash bell-shape
18145	15303		38U			Short lower rinse extension
18150	15039/A		38U			Lower wash stainless steel pipe coupling
18155	15038		38U			Ring nut connection
18160	13006		38U			OR 3156 O-ring
18165	15041/A		38U			Grey wash/rinse lower distributor
18170	12506		38U			Ø10 rubber-holder
18175	13313		38U			8x24x2 O-ring
18180	11185		38U			8x16 steel plane washer
18185	575001		38U			Lower turret tie rod
18190	11702		38U			M8 stainless steel nut
18195	15909		38U			Lower wash water distributor
18200	11809		38U			30/45 clamp
18205	15956		38U			Ø28 wash/rinse group
18210	10213		38U			Ø10 opened plane nozzle
18215	10217		38U			Ø10 closed plane nozzle

Spare parts

ID	P-code	Model	Type	Accessory	Voltage	Description
18220	13316/A		38U			DVGW hole O-ring
18225	11101/M		38U			Fixing handle for rotor