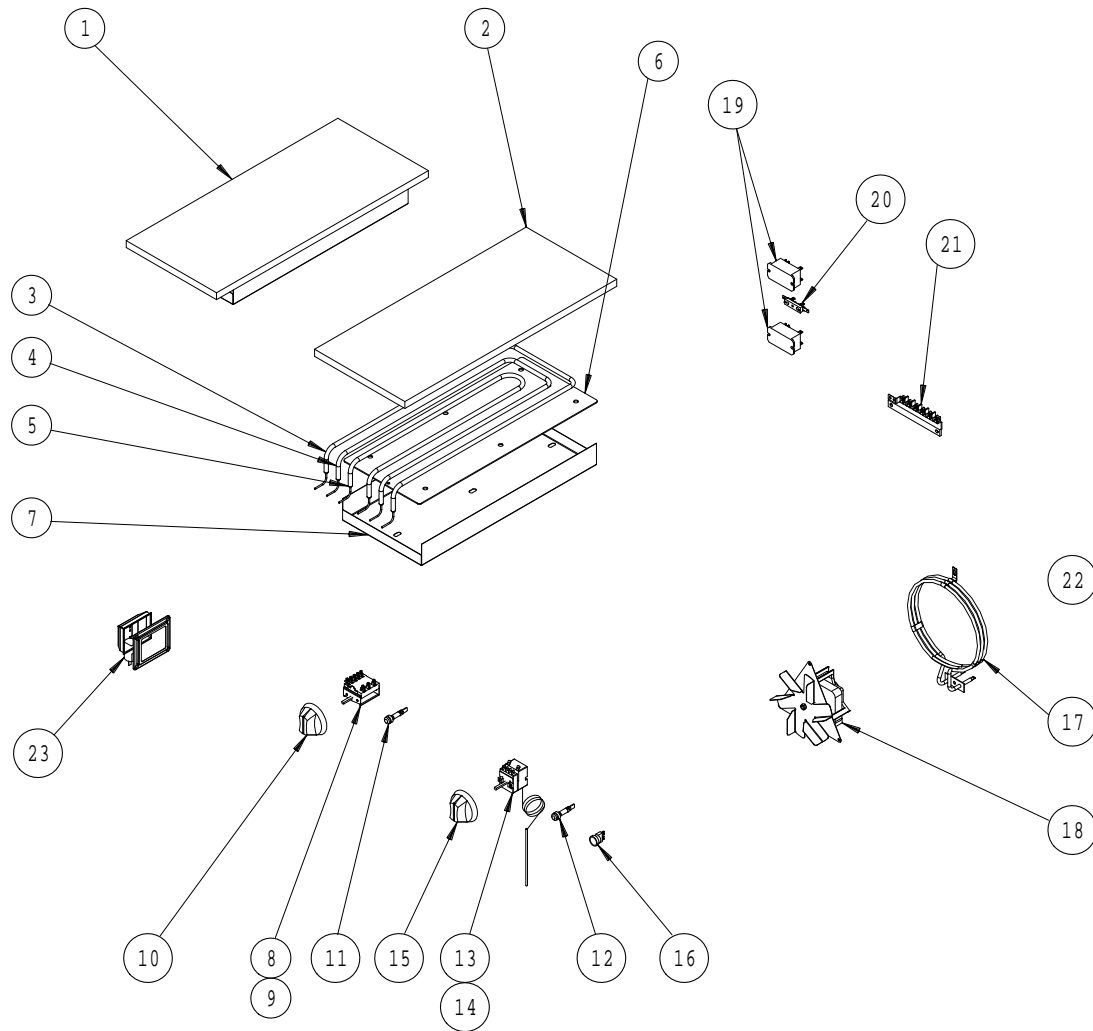
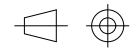


IF IN DOUBT ASK!!

DO NOT SCALE !!

First Angle Projection



Item	Spares No	Description
1	730960010	Rectangular Hotplate Assembly 240V
2	730960100	Rectangular Hotplate Casting
3	730960040	Element Outer 240V
4	730960030	Element Intermediate 240V
5	730960020	Element Inner 240V
6	730960150	Element Clamp Plate
7	730964060	Element Lagging Box
8	730960070	6 Position Switch
9	731000005	6 Position Switch c/w Knob
10	731000002	6 Position Switch Knob Only
11	731000007	Amber Neon
12	731000008	Red Neon
13	535420006	Thermostat c/w Fan Switch
14	734243003	Thermostat c/w Knob
15	535420002	Thermostat Knob Only
16	734243004	Light Switch
17	535420009	Oven Element 230V
18	535420010	Oven Fan
19	734243005	Operating/Safety Relay
20	734243006	Fuse 2A
21	731000006	Incoming Terminal Block
22	535420015	Oven Safety Thermostat
23	734243007	Oven Lamp

All dimensions in millimetres, Tolerance- Linear $\pm 0.5\text{mm}$ Angular $\pm 0.5^\circ$ (or as stated). All sharp edges to be removed from sheet metal parts.



Drawn	I. HAMILTON	Product	E2101EU OTC RANGE	
Date	01-05-08	Title	SPARES CONTROLS	
Scale				
Matl.		Drawing Number	AA45950	Issue
No. off		Finish		
Bin No.		Kraus No.		

Issue	Mod No.	Alteration	Zone	Drawn by	Date

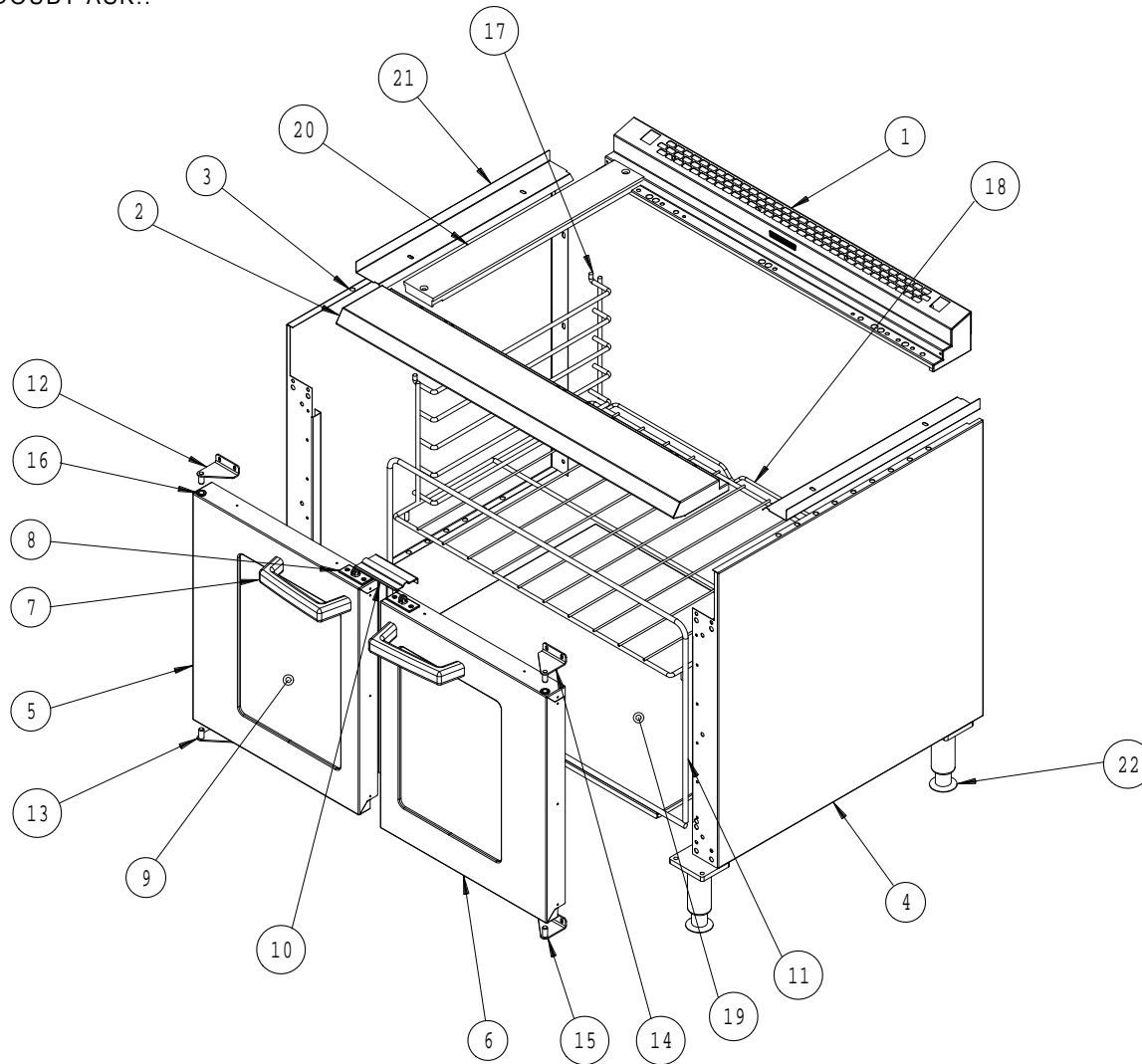
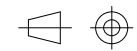
This part is common to the following units

© No reproduction or publication of this drawing may be made and no article may be manufactured or assembled in accordance with this drawing without prior written consent. This prohibition is a term of any contract relating to this drawing. Rights reserved under the Copyright Act 1956 as amended by the Design Copyright Act 1968.

IF IN DOUBT ASK!!

DO NOT SCALE !!

First Angle Projection



Item	Spares No	Description
1	535480046	Rear Hob Rail
2	535480047	Front Hob Rail
3	535200000	LH outer Side Panel
4	535200001	RH outer Side Panel
5	734243000	LH Door Assembly
6	734243001	RH Door Assembly
7	535480055	Door Handle
8	535480054	Door Catch
9	734243002	Door Glass
10	535200013	Door Catch Keeper
11	535210001	Door Seal Assembly
12	535200006	LH Top Door Hinge
13	535200007	LH Bottom Door Hinge
14	535200008	RH Top Door Hinge
15	535200009	RH Bottom Door Hinge
16	535480077	Door Hinge Bush
17	535200012	Shelf Hanger
18	535480092	Grid Shelf
19	535210002	Oven Bottom Panel
20	730960090	Hob Filling
21	730963121	Side Drip Shed
22	730963050	Adjustable Foot

All dimensions in millimetres, Tolerance- Linear $\pm 0.5\text{mm}$ Angular $\pm 0.5^\circ$ (or as stated). All sharp edges to be removed from sheet metal parts.

Issue	Mod No.	Alteration	Zone	Drawn by	Date



This part is common to the following units

Drawn	I. HAMILTON	Product	E2101EU OTC RANGE	
Date	30-04-08	Title	SPARES FITMENTS	
Scale				
Matl.		Drawing Number	AA45951	Issue
No. off		Finish		
Bin No.		Kraus No.		

No reproduction or publication of this drawing may be made and no article may be manufactured or assembled in accordance with this drawing without prior written consent. This prohibition is a term of any contract relating to this drawing. Rights reserved under the Copyright Act 1956 as amended by the Design Copyright Act 1968.