

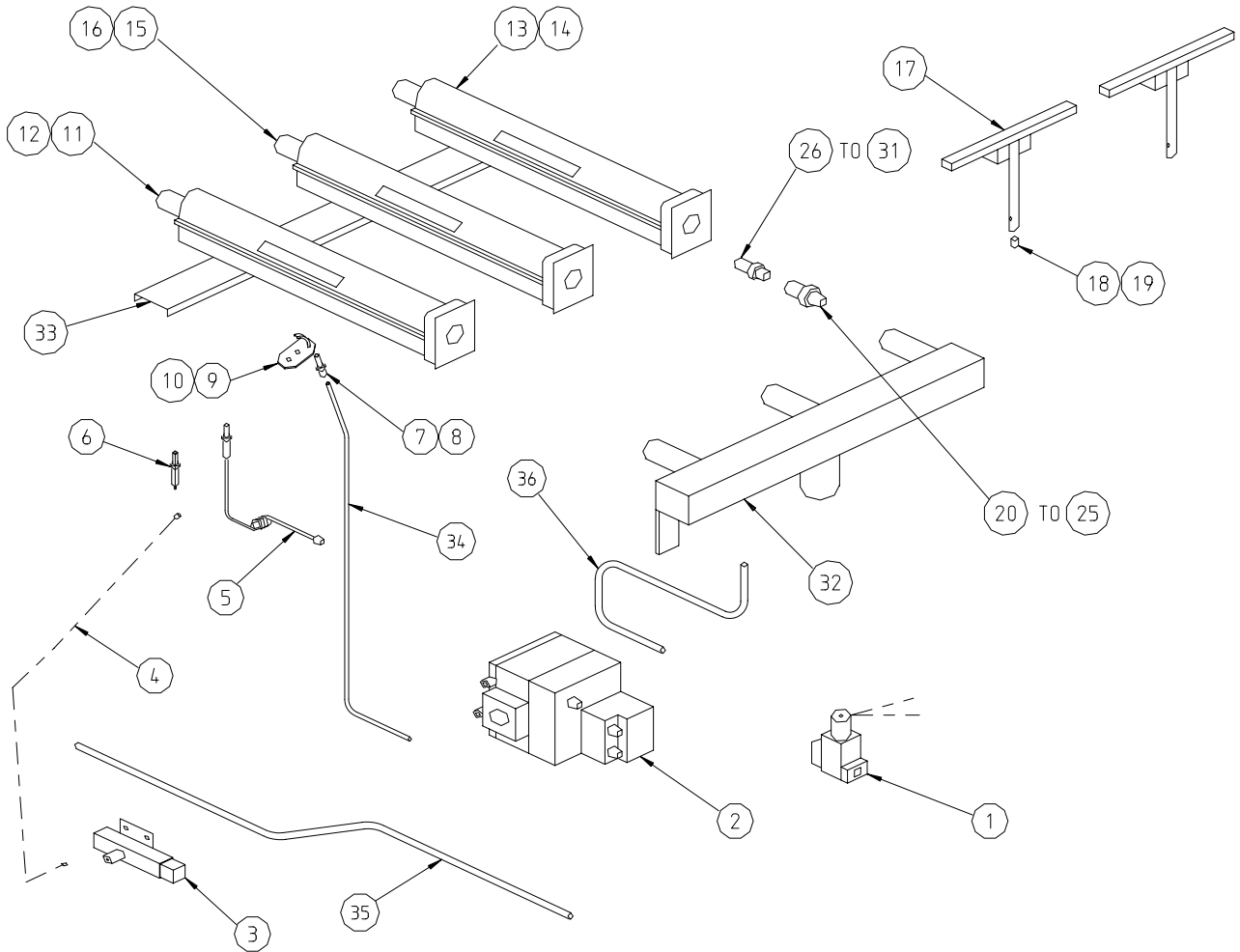
ALL MODELS

FITMENTS

		G2962	G2965	G2994	G2995
Item	Description	Spares No.	Spares No.	Spares No.	Spares No.
1.	Pan lid	531750010	531750010	531790010	531790010
2.	Bracket for lid handle - LH	531750020	531750020	531750020	531750020
3.	Bracket for lid handle - RH	531750030	531750030	531750030	531750030
4.	Lid handle	531750040	531750040	531790020	531790020
5.	Pan	531750050	531750050	531790030	531790030
6.	Pan facia panel	537810030	537810030	537830010	537830010
7.	Pan hinge casting	531750070	531750070	531750070	531750070
8.	Pan hinge pin	531750080	531750080	531750080	531750080
9.	Front panel	537810080	537820010	537830020	537840010
10.	Bottom front panel	537810040	537810040	537830060	537830060
11.	Adjustable leg	531750110	531750110	531750110	531750110
12.	Outer side panel - LH	531750120	531750120	531750120	531750120
13.	Outer side panel - RH	531750130	531750130	531750130	531750130
14.	Rear hob rail	537810090	537810090	537830030	537830030
15.	Pan side panel - LH	537810010	537810010	537810010	537810010
16.	Pan side panel - RH	537810020	537810020	537810020	537810020
17.	Hinge block for lid - LH	531750180	531750180	531750180	531750180
18.	Hinge block for lid - RH	531750560	531750560	531750560	531750560
19.	Hinge spring for lid - LH	531750190	531750190	531750190	531750190
20.	Hinge spring for lid - RH	531750200	531750200	531750200	531750200
21.	Arm for lid hinge - LH	531750210	531750210	531750210	531750210
22.	Arm for lid hinge - RH	531750220	531750220	531750220	531750220
23.	Bar for lid hinge	531750240	531750240	531750240	531750240
24.	Sight glass assembly	531750230	531750230	531750230	531750230

ALL MODELS

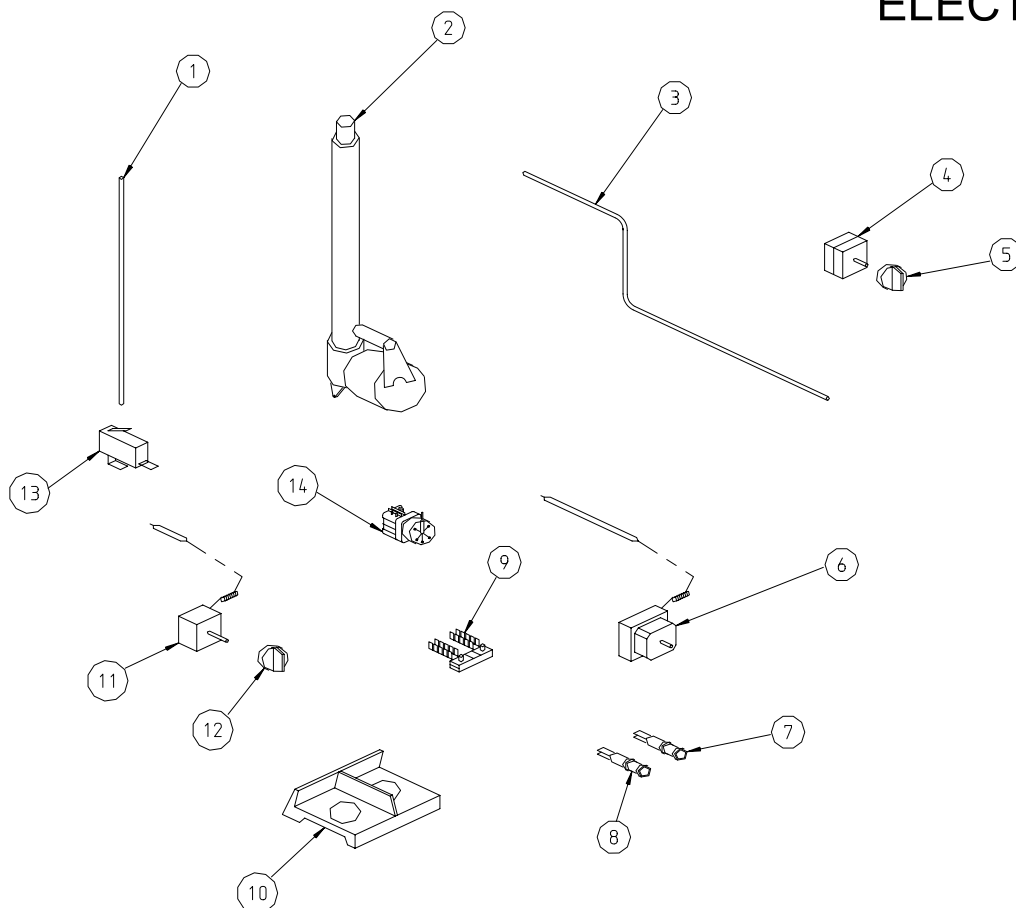
PIPEWORK



ALL MODELS

PIPEWORK

Item	Description	G2962	G2965	G2994	G2995
		Spares No.	Spares No.	Spares No.	Spares No.
1.	Solenoid valve	531750320	531750320	531750320	531750320
2.	Multifunctional control	531750330	531750330	531750330	531750330
3.	Spark igniter	531750340	531750340	531750340	531750340
4.	Igniter lead	531750350	531750350	531750350	531750350
5.	Thermocouple	531750360	531750360	531750360	531750360
6.	Electrode	531750370	531750370	531750370	531750370
7.	Pilot jet (Natural gas)	531750380	531750380	531750380	531750380
8.	Pilot jet (Propane gas)	531750390	531750390	531750390	531750390
9.	Pilot burner (Natural gas)	531750400	531750400	531750400	531750400
10.	Pilot burner (Propane gas)	531750401	531750401	531750401	531750401
11.	LH burner (Natural gas)	531750420	531750420	531750420	531750420
12.	LH burner (Propane gas)	531750422	531750422	531750422	531750422
13.	RH burner (Natural gas)	531750421	531750421	531750421	531750421
14.	RH burner (Propane gas)	531750423	531750423	531790423	531790423
15.	Centre burner (Natural gas)	n/a	n/a	531790250	531790250
16.	Centre burner (Propane gas)	n/a	n/a	531790260	531790260
17.	Crosslighting burner	531750251	531750250	531790080	531790080
18.	Crosslighting jet (Natural gas)	531750261	531750261	531790090	531790090
19.	Crosslighting jet (Propane gas)	531750271	531750271	531790100	531790100
20.	Injector - LH burner (Natural)	531750280	531750280	531790120	531790120
21.	Injector - RH burner (Natural)	531750281	531750281	531790110	531790110
22.	Injector - Centre burner (Natural)	n/a	n/a	531790130	531790130
23.	Injector - LH burner (Propane)	531750282	531750282	531790150	531790150
24.	Injector - RH burner (Propane)	531750283	531750283	531790140	531790140
25.	Injector - Centre burner (Propane)	n/a	n/a	531790160	531790160
26.	Injector jet - LH burner (Natural)	531750290	531750290	531790180	531790180
27.	Injector jet - RH burner (Natural)	531750291	531750291	531790170	531790170
28.	Injector jet - Centre burner (Propane)	n/a	n/a	531790190	531790190
29.	Injector jet - LH burner (Propane)	531750300	531750300	531790210	531790210
30.	Injector jet - RH burner (Propane)	531750301	531750301	531790200	531790200
31.	Injector jet - Centre burner (Propane)	n/a	n/a	531790220	531790220
32.	Manifold	537810120	537810120	537830040	537830040
33.	Burner support channel	531750410	531750410	531790240	531790240
34.	Pilot pipe	531790290	531790290	531790290	531790290
35.	Inlet supply pipe	531790300	531790300	531790300	531790300
36.	FFD to manifold pipe	531750640	531750640	537830050	537830050



Item	Description	G2965	G2995
		Spares No.	Spares No.
1.	Microswitch rod	531860010	531860010
2.	Linear power pack	531860020	531860020
3.	Winding handle	531860030	531860030
4.	Changeover switch	537820020	537820020
5.	Knob for changeover switch	537850030	537850030
6.	Safety thermostat	531750502	531750502
7.	Indicator lamp - Amber	537810050	537810050
8.	Indicator lamp - Red	537810060	537810060
9.	Terminal block	537810110	537810110
10.	Foot bellows	537860070	537860070
11.	Control thermostat	531810100	531810100
12.	Knob for control thermostat	537810070	537810070
13.	Microswitch	531750540	531750540
14.	Air switch	531860080	531860080

Falcon Foodservice Equipment

HEAD OFFICE AND WORKS

PO Box 37, Foundry Loan, Larbert. Stirlingshire. Scotland. FK5 4PL

AFE SERVICE CONTACT -

PHONE - 01438 751 111 FAX - 01438 369 900