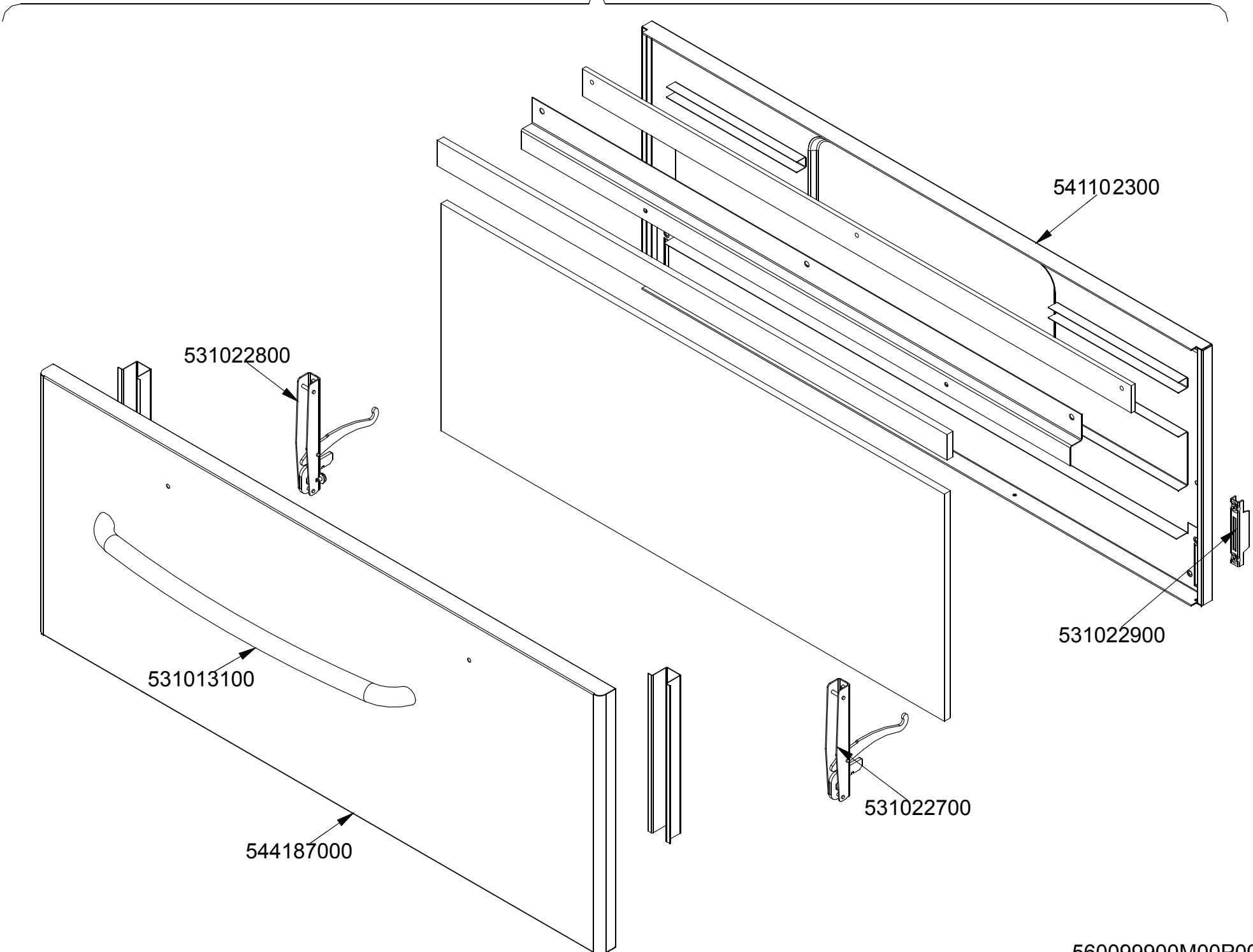
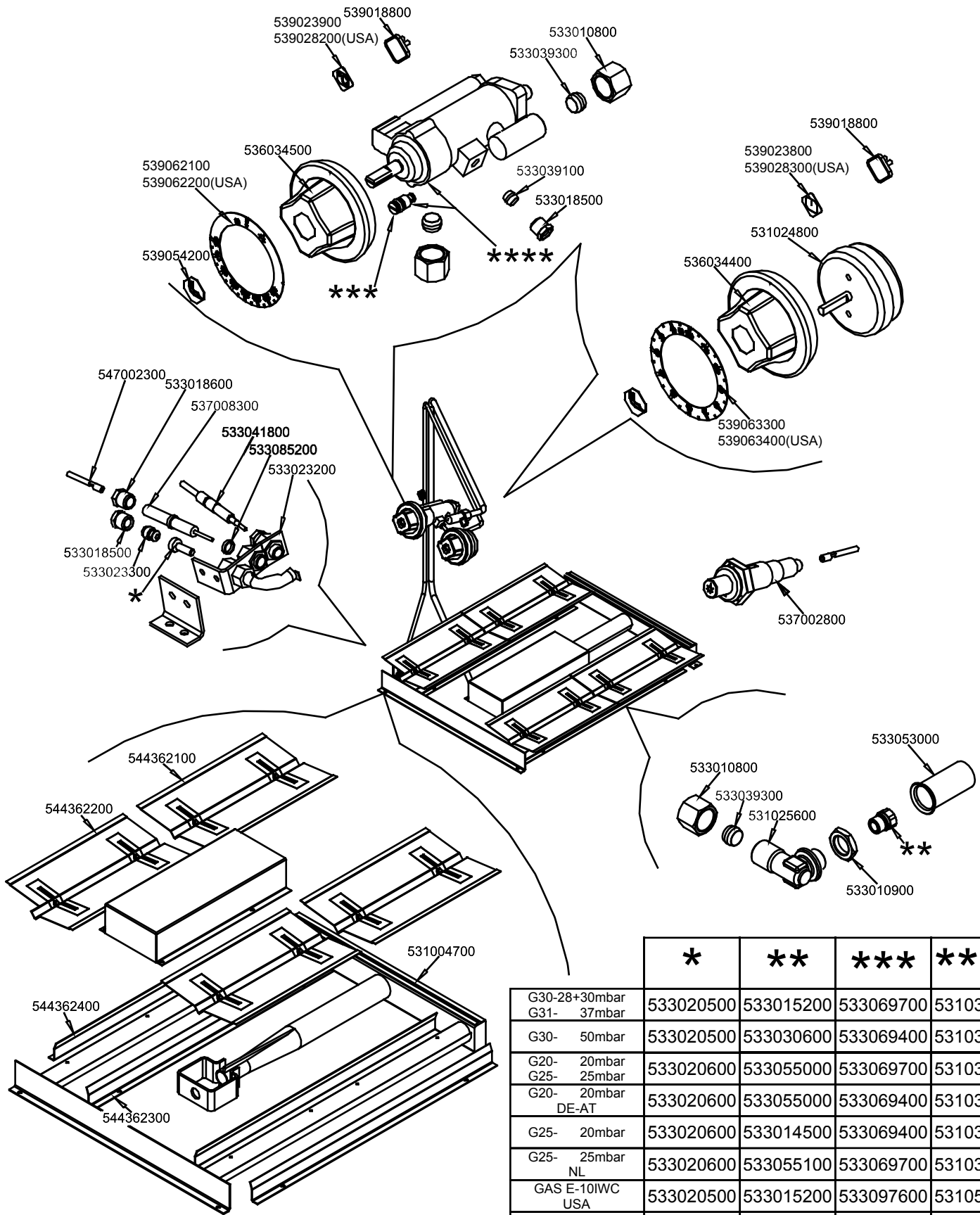


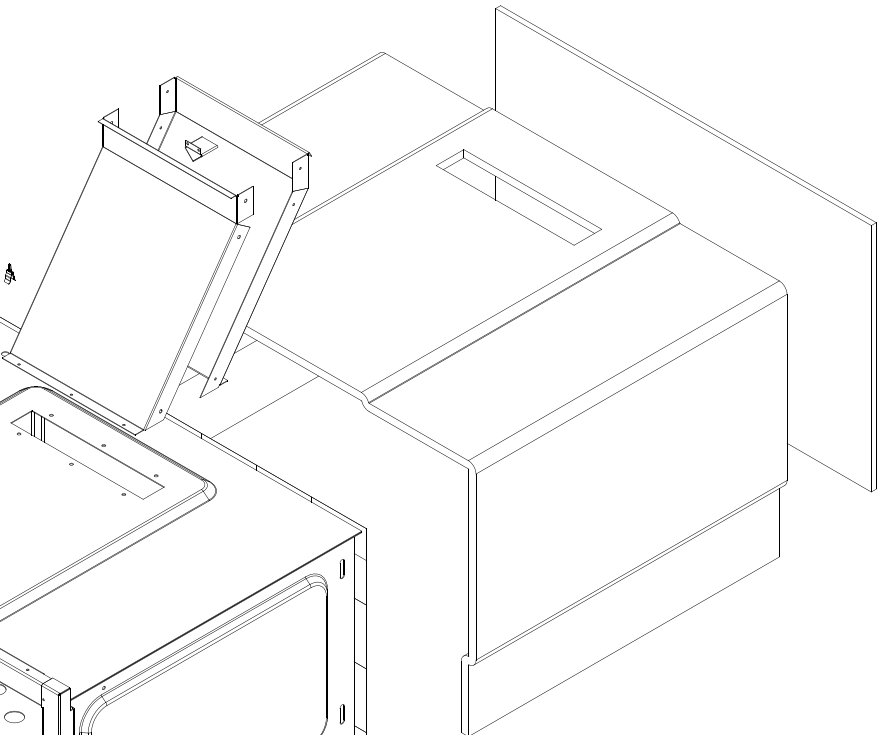
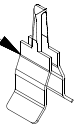
GN3/1





	*	**	***	****
G30-28+30mbar G31- 37mbar	533020500	533015200	533069700	531031600
G30- 50mbar	533020500	533030600	533069400	531033800
G20- 20mbar G25- 25mbar	533020600	533055000	533069700	531031600
G20- 20mbar DE-AT	533020600	533055000	533069400	531033800
G25- 20mbar	533020600	533014500	533069400	531033800
G25- 25mbar NL	533020600	533055100	533069700	531031600
GAS E-10IWC USA	533020500	533015200	533097600	531052500
GAS A-4IWC USA	533020600	533056300	533097600	531052500
G31- 2.49kPa AUS	533020500	533015200	533069700	531031600
G20- 1kPa AUS	533020700	533056300	533069700	531031600

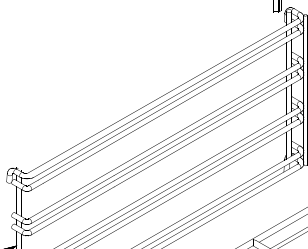
533033800



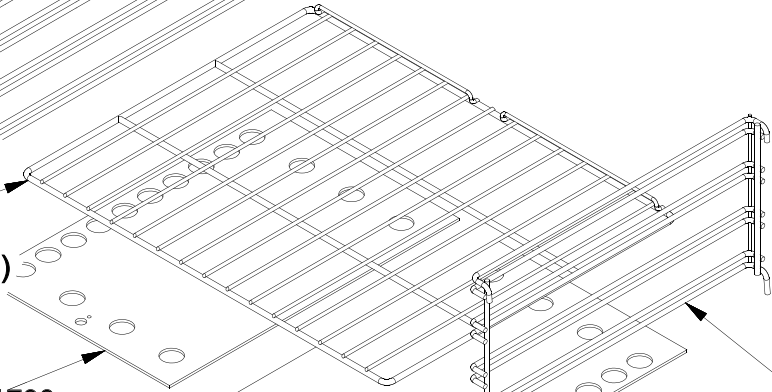
536010801



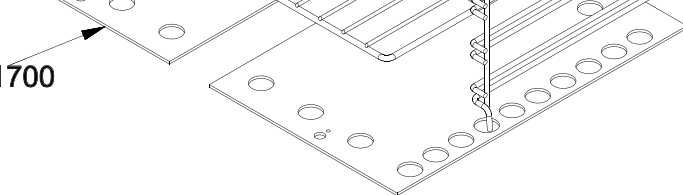
531030500
531062300(USA-AUS)



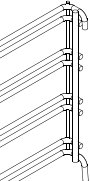
531030200
531062000(USA-AUS)



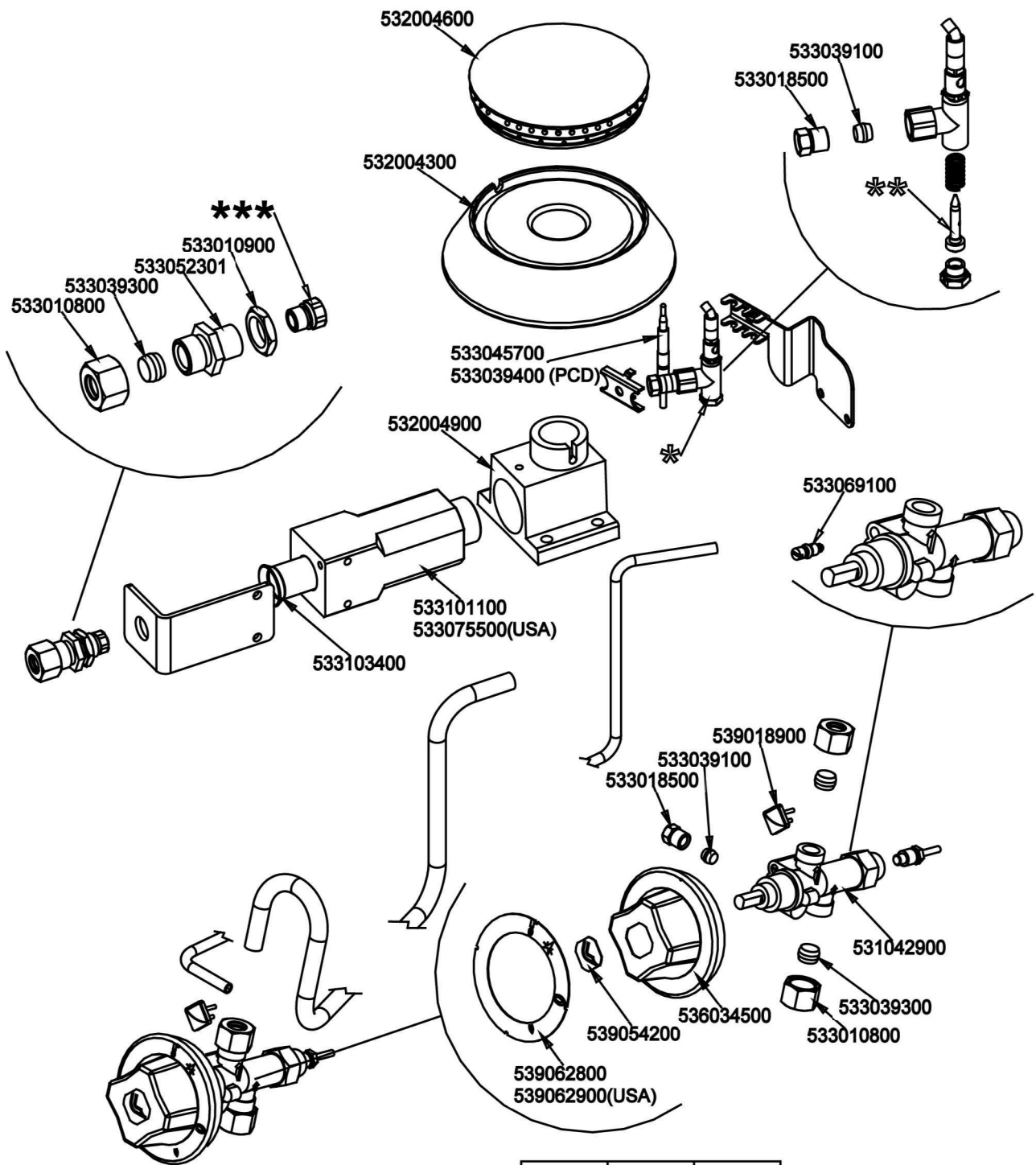
544171700



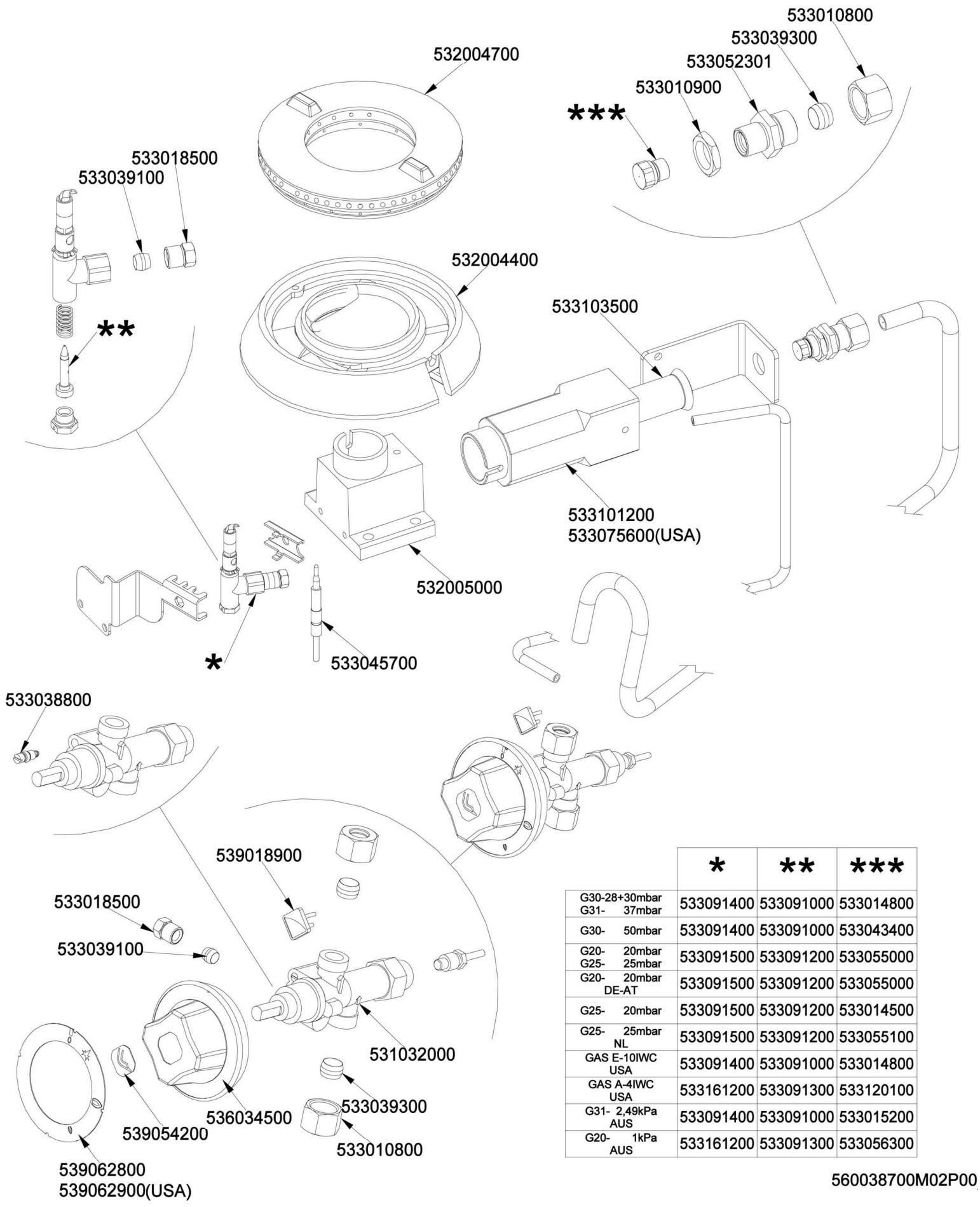
531030400
531062200(USA-AUS)



560012300M02P00

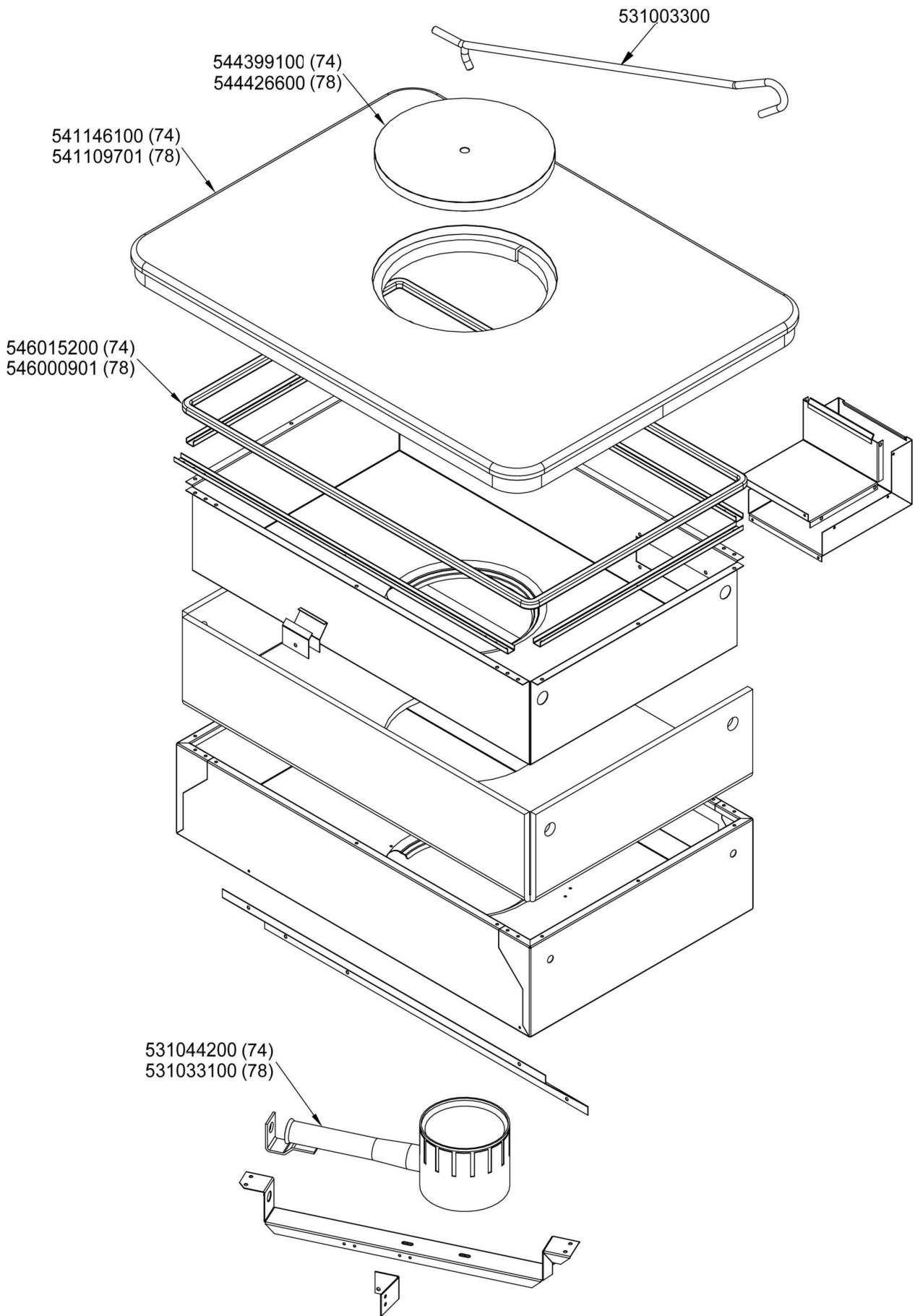


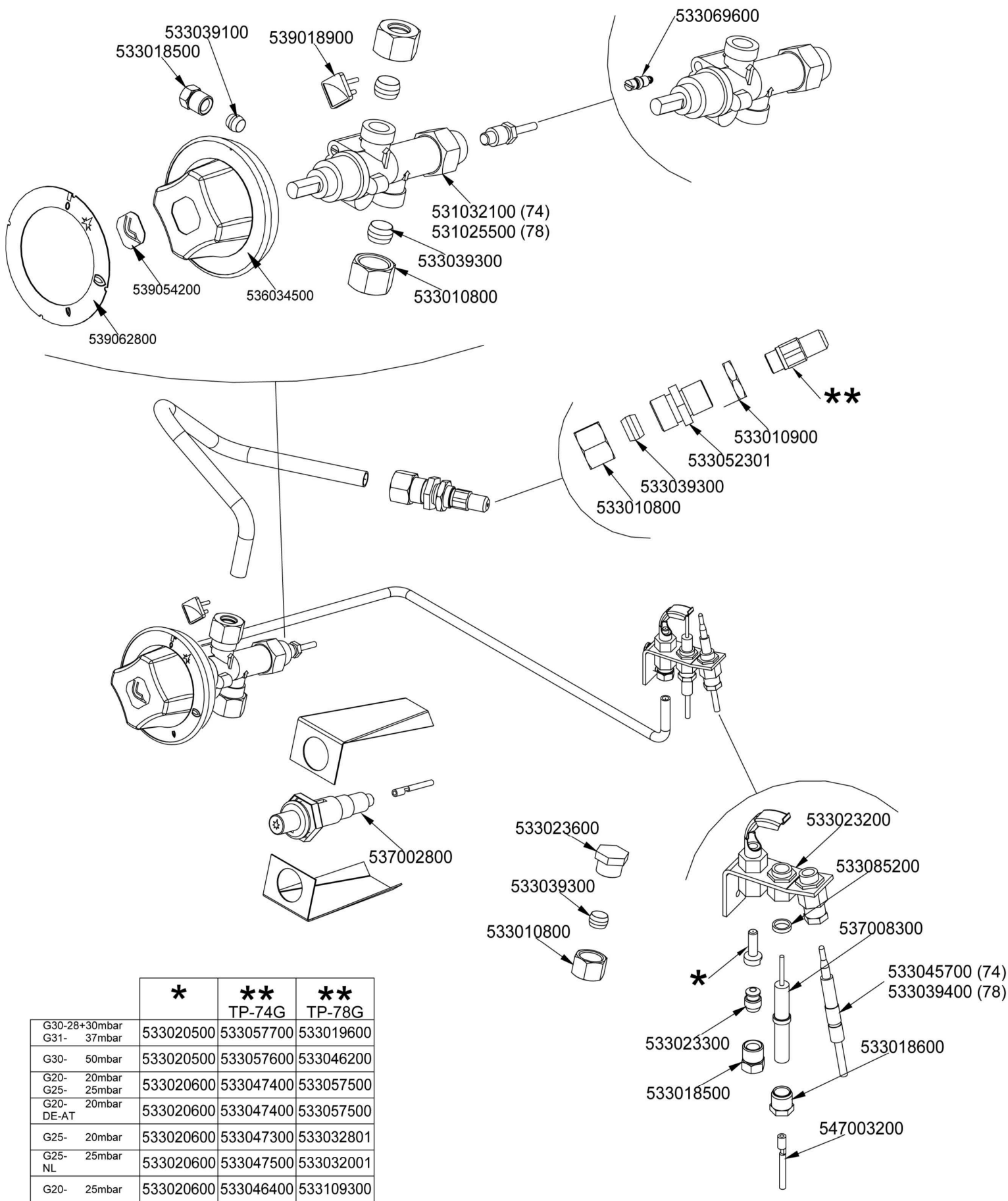
	*	**	***
G30-28+30mbar G31- 37mbar	533091400	533091000	533043900
G30- 50mbar	533091400	533091000	533019300
G20- 20mbar G25- 25mbar	533091500	533091200	533031000
G20- 20mbar DE-AT	533091500	533091200	533031000
G25- 20mbar	533091500	533091200	533043500
G25- 25mbar NL	533091500	533091200	533019400
GAS E-10IWC USA	533091400	533091000	533043200
GAS A-4IWC USA	533161200	533091300	533043100
G31- 2,49kPa AUS	533091400	533091000	533043900
G20- 1kPa AUS	533161200	533091300	533043500



	*	**	***
G30-28+30mbar G31- 37mbar	533091400	533091000	533014800
G30- 50mbar	533091400	533091000	533043400
G20- 20mbar G25- 25mbar	533091500	533091200	533055000
G20- 20mbar DE-AT	533091500	533091200	533055000
G25- 20mbar	533091500	533091200	533014500
G25- 25mbar NL	533091500	533091200	533055100
GAS E-10IWC USA	533091400	533091000	533014800
GAS A-4IWC USA	533161200	533091300	533120100
G31- 2,49kPa AUS	533091400	533091000	533015200
G20- 1kPa AUS	533161200	533091300	533056300

560038700M02P00





	*	**	**
		TP-74G	TP-78G
G30-28+30mbar G31- 37mbar	533020500	533057700	533019600
G30- 50mbar	533020500	533057600	533046200
G20- 20mbar G25- 25mbar	533020600	533047400	533057500
G20- 20mbar DE-AT	533020600	533047400	533057500
G25- 20mbar	533020600	533047300	533032801
G25- 25mbar NL	533020600	533047500	533032001
G20- 25mbar	533020600	533046400	533109300

Page	Pos	Code	Description
001		532004100	FLUE GRID L=370 90LINE (RAF
001		541134600	LOW SPACER 78 2 GRIDS
001		544383200	UPPER PLATE PC-78GP CF4-78GP/GPE
001		531047000	2 BURNER GRID FOR PC-700
001		544333900	BURNER CONTAINER 1/1GN R 304
001		544173300	LEFT SIDE PANEL RANGE S.70
001		541147100	CONTROL PANEL TPF2-98G
001		544173200	RIGHT SIDE PANEL RANGE S.70
001		536005200	INOX LEG 2" 120-180 M10
002		541102300	GAS OVEN INNER DOOR GN 3/1 S.70
002		531022800	LEFT OVEN DOOR HINGE S.70
002		531022900	HINGE DOOR WHEEL HOLDER S.70
002		531013100	OVEN DOOR HANDLE OF 70/90-LINE
002		531022700	RIGHT OVEN DOOR HINGE 70LINE
002		544187000	OVEN DOOR GN 3/1 S.70
003		539018800	BLANK INDEX FOR KNOB
003		539023900	SIGN PLATE FOR OVEN TEMPERATURE
003		539028200	SIGN PLATE FOR OVEN TEMPERATURE
003		533010800	TUBE NUT D.10 M16*1,5
003		533039300	BICONE §10
003		539023800	LABEL FOR OVEN TIMER
003		539028300	SIGN PLATE FOR OVEN TIMER
003		531024800	TIMER 120'- 360°
003		536034400	KNOB §77 4P. §06*4,6 C/M
003		533039100	BICONE §6
003		533018500	FITTING FOR BICONE D.6 M10*1
003		536034500	KNOB §77 4P. §08*6,5
003		539062100	ADESIVE DISK FOR GAS OVEN S70
003		539062200	ADESIVE DISK FOR GAS OVEN S70 USA
003		539054200	STAMP O20,5 CR."L" LOTUS R.
003		547002300	HIGH-VOLTAGE CABLE §2 L=1900
003		533018600	PLUG FITTING
003		537008300	ROUND PLUG §2,4- LONG ELECTRODE
003		533041800	THERMOCOUPLE 1500 M9*1
003		533085200	SPACER FOR PILOT PLUG
003		533023200	TARGET PILOT + NIPPLE TC BRAC.90°
003		539063300	ADESIVE DISK FOR TYMER GREY
003		539063400	ADESIVE DISK FOR TYMER GREY USA
003		533023300	BICONE §6 ("TARGET" PILOT
003		537002800	PIEZOELECTRIC IGNITION M18 WITH NUT
003		533053000	AIR ADJUSTMENT BUSHING §18
003		531025600	ELBOW 90° NOZZLE-HOLDER §10 PIPE
003		533010900	NUT M14*1 H.4
003		544362100	UPPER BURNER DEFLECTOR FOR OVEN 70
003		544362200	UPPER PILOT DEFLECTOR FOR OVEN 70
003		531004700	BURNER FOR OVEN GN 2/1 S.70
003		544362400	SIDE PILOT DEFLECTOR FOR OVEN 70
003		544362300	SIDE BURNER DEFLECTOR FOR OVEN 70
003		533020500	NOZZLE 0.140 §19
003		533020600	NOZZLE 0.140 §27
003		533020700	NOZZLE 0.140 §35

Page	Pos	Code	Description
003		533015200	NOZZLE §145 CH12*14 F-FP/CP6
003		533030600	NOZZLE §125 CH12*14
003		533055000	NOZZLE §205 CH12*14 G25 CW4
003		533014500	NOZZLE §225 CH12*14 OVEN GN 2/1
003		533055100	NOZZLE §215 CH12*14 L-CW4
003		533056300	NOZZLE §240 CH12*14
003		533069700	BY PASS COCK §075 25ST
003		533069400	BY PASS COCK §065 25ST
003		533097600	BY PASS COCK §090 25ST
003		531031600	HORIZON.THERMOSTATIC TAP BY-PASS 75
003		531033800	HORIZON.THERMOSTATIC TAP BYPASS §65
003		531052500	GAS COCK 25ST BY PASS D090 HORIZ.P
004		533033800	LOCK SPRING FOR BULB §6
004		536010801	OVEN GASKET GN 2/1 (1308
004		531030500	LHD SUPPORT GRID FOR OVEN OF 70LINE
004		531062300	LHD SUPPORT GRID FOR OVEN OF 70LINE
004		531030200	OVEN GRID GN 2/1 FOR 70 LINE
004		531062000	OVEN GRID GN 2/1 FOR 70 LINE
004		544171700	BOTTOM FOR GAS OVEN GN2/1 700LINE
004		531030400	RHD SUPPORT GRID FOR OVEN OF 70LINE
004		531062200	RHD SUPPORT GRID FOR OVEN OF 70LINE
005		532004600	BURNER COVER RING R D104
005		533039100	BICONE §6
005		533018500	FITTING FOR BICONE D.6 M10*1
005		532004300	MIDDLE BURNER BODY 70LINE P.
005		533010900	NUT M14*1 H.4
005		533052301	JOINT FOR NOZZLE HOLDER
005		533039300	BICONE §10
005		533010800	TUBE NUT D.10 M16*1,5
005		533045700	THERMOCOUPLE M9*1 500
005		533039400	THERMOCOUPLE M9*1*850
005		532004900	ELBOW FITTING OF BURNER VENTURI R
005		533069100	BY PASS COCK §60 20S
005		533101100	BURNER VENTURI R
005		533075500	BURNER VENTURI 5,5KW S70 USA
005		533103400	AIR ADJUSTMENT BUSHING D20 EST.H57
005		539018900	INDEX FOR KNOB W/RED SIGN
005		531042900	B.PASS §60 SAFETY COCK PC/CF 90
005		539054200	STAMP Ø20,5 CR."L" LOTUS R.
005		539062800	RED STICKING DISK 72
005		539062900	RED STICKING DISK 72 USA
005		533091400	P.NOZZLE S100 UG.§20 PC90 LPG-FLUS
005		533091500	PILOT NOZZLE S.100 §30 PC90 NAT.GAS
005		533091000	NOZZLE 0.100 §20
005		533091200	PILOT NOZZLE 0100 Ø35 PIL.PC
005		533091300	PILOT NOZZLE 0100 Ø40 PIL.PC
005		533043900	NOZZLE §115 CH12*14 F-CW4
005		533019300	NOZZLE §100 G-FQ5 F-CW
005		533031000	NOZZLE §175 CH12X14
005		533043500	NOZZLE §190 CH12*14 G25 PC4R
005		533019400	NOZZLE §180 CH12*14 L-FQ5

Page	Pos	Code	Description
005		533043200	NOZZLE §110 G30 (LPG) CH12X14
005		533043100	NOZZLE §185 G25 CH12X14
006		533010800	TUBE NUT D.10 M16*1,5
006		533039300	BICONE §10
006		533052301	JOINT FOR NOZZLE HOLDER
006		532004700	BURNER COVER RING UR D128
006		533010900	NUT M14*1 H.4
006		533018500	FITTING FOR BICONE D.6 M10*1
006		533039100	BICONE §6
006		532004400	BIG BURNER BODY 70LINE P.
006		533103500	AIR ADJUSTMENT BUSHING D22 EST.H57
006		533101200	BURNER VENTURI UR
006		533075600	BURNER VENTURI 7,5KW S70 USA
006		532005000	ELBOW FITTING OF BURNER VENTURI UR
006		533045700	THERMOCOUPLE M9*1 500
006		533038800	75 BY-PASS FOR 21S TAP
006		539018900	INDEX FOR KNOB W/RED SIGN
006		531032000	GAS COCK P.V.BY-PASS Ø075
006		536034500	KNOB §77 4P. §08*6,5
006		539054200	STAMP Ø20,5 CR."L" LOTUS R.
006		539062800	RED STICKING DISK 72
006		539062900	RED STICKING DISK 72 USA
006		533091400	P.NOZZLE S100 UG.§20 PC90 LPG-FLUS
006		533091500	PILOT NOZZLE S.100 §30 PC90 NAT.GAS
006		533091000	NOZZLE 0.100 §20
006		533091200	PILOT NOZZLE 0100 Ø35 PIL.PC
006		533091300	PILOT NOZZLE 0100 Ø40 PIL.PC
006		533014800	NOZZLE §135 CH12*14,0
006		533043400	NOZZLE §117 CH12*14 G-PC4 UR
006		533055000	NOZZLE §205 CH12*14 G25 CW4
006		533014500	NOZZLE §225 CH12*14 OVEN GN 2/1
006		533055100	NOZZLE §215 CH12*14 L-CW4
006		533120100	NOZZLE §210 CH12*14,0
006		533015200	NOZZLE §145 CH12*14 F-FP/CP6
006		533056300	NOZZLE §240 CH12*14
007		531003300	TP-PLATE LIFTING HOOK
007		544399100	PLATE RING FOR TP-74G TP-94G
007		544426600	PLATE RING FOR TP-98G
007		541146100	PLATE TP-74G
007		541109701	UPPER PLATE TP-78G
007		546015200	SQUARE BRAID 12*12*L=1495
007		546000901	SQUARE BRAID OF INSULATING MATERIAL
007		531044200	CIRCULAR BURNER TP D.066
007		531033100	BURNER TP..-78G
008		533018500	FITTING FOR BICONE D.6 M10*1
008		533039100	BICONE §6
008		539018900	INDEX FOR KNOB W/RED SIGN
008		533069600	BY PASS COCK §130 20S-21S
008		531032100	GAS COCK 21S P.V.BY-PASS O100
008		531025500	GAS COCK 21S P.V.BY-PASS O130
008		533039300	BICONE §10

Page	Pos	Code	Description
008		533010800	TUBE NUT D.10 M16*1,5
008		536034500	KNOB §77 4P. §08*6,5
008		539054200	STAMP O20,5 CR."L" LOTUS R.
008		539062800	RED STICKING DISK 72
008		533010900	NUT M14*1 H.4
008		533052301	JOINT FOR NOZZLE HOLDER
008		537002800	PIEZOELECTRIC IGNITION M18 WITH NUT
008		533023600	TAP PLUG §10 M16*1, 5CH19
008		533023200	TARGET PILOT + NIPPLE TC BRAC.90°
008		533085200	SPACER FOR PILOT PLUG
008		537008300	ROUND PLUG §2,4- LONG ELECTRODE
008		533045700	THERMOCOUPLE M9*1 500
008		533039400	THERMOCOUPLE M9*1*850
008		533023300	BICONE §6 ("TARGET" PILOT
008		533018600	PLUG FITTING
008		547003200	HIGH-VOLTAGE CABLE TUBE.§2 L=500
008		533020500	NOZZLE 0.140 §19
008		533020600	NOZZLE 0.140 §27
008		533057700	NOZZLE §130A CH12*30 F-BRF74
008		533057600	NOZZLE §115A CH12*30 G-BRF74
008		533047400	NOZZLE §195 CH12*30 M-BM8
008		533047300	NOZZLE §215 CH12*30 L-BM8
008		533046400	NOZZLE §185 CH12*30 G-CPM
008		533019600	NOZZLE §165 CH12*30 MH-FT5 H-FT6
008		533046200	NOZZLE §150 CH12X30 L-BR TP
008		533057500	NOZZLE §260 CH12X30
008		533032801	NOZZLE §280 CH12*30 M-CPM
008		533032001	NOZZLE §270 CH12*30 MH-CPM
008		533109300	NOZZLE CH12X30,0 O245