

533033300

541028400

537015100 (400V3N 400V3)
537016200 (440V3)

546015700

541209400

544508100
544696000 (X)

537035400 (X)

1

537027400

537036500

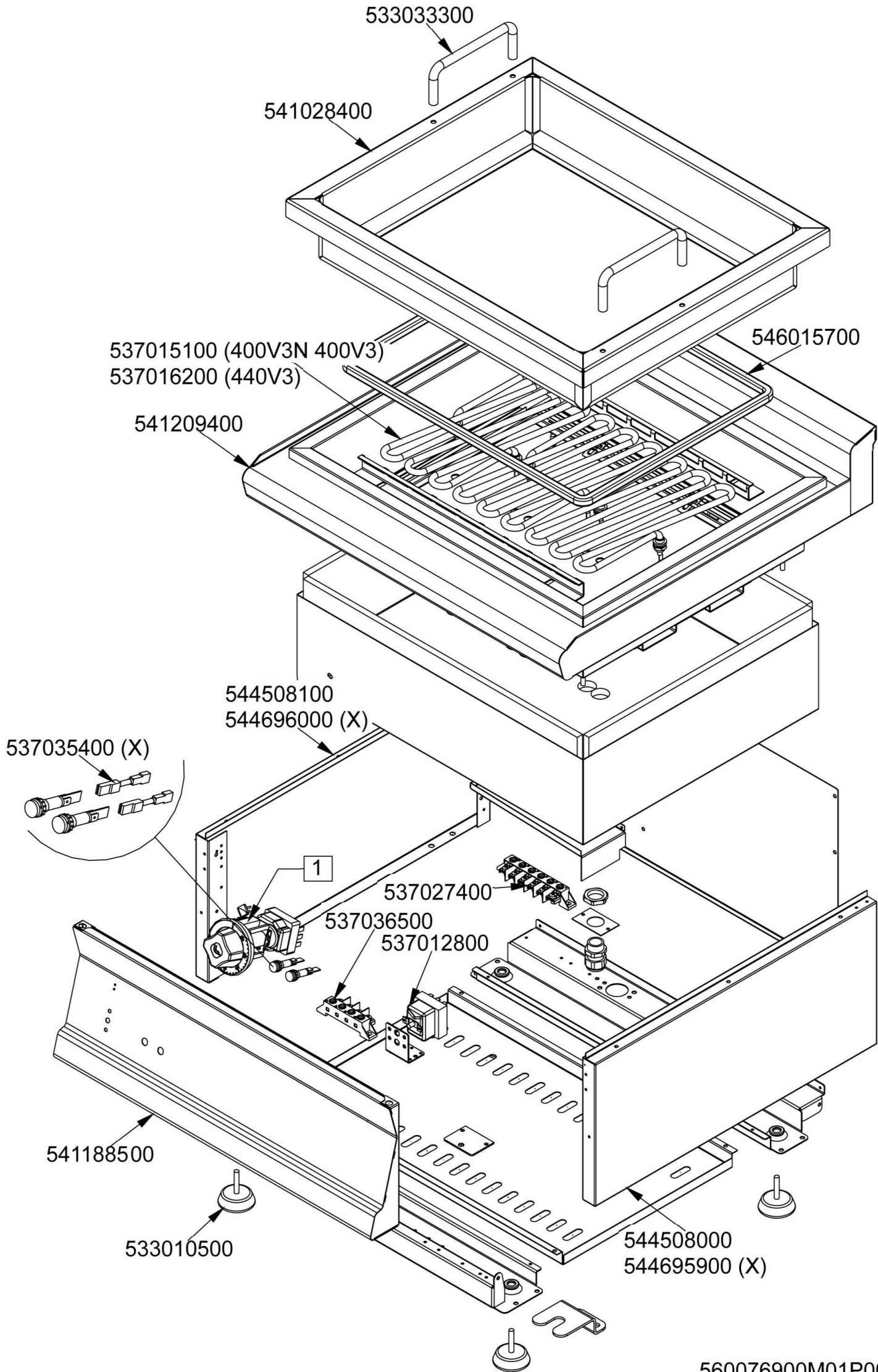
537012800

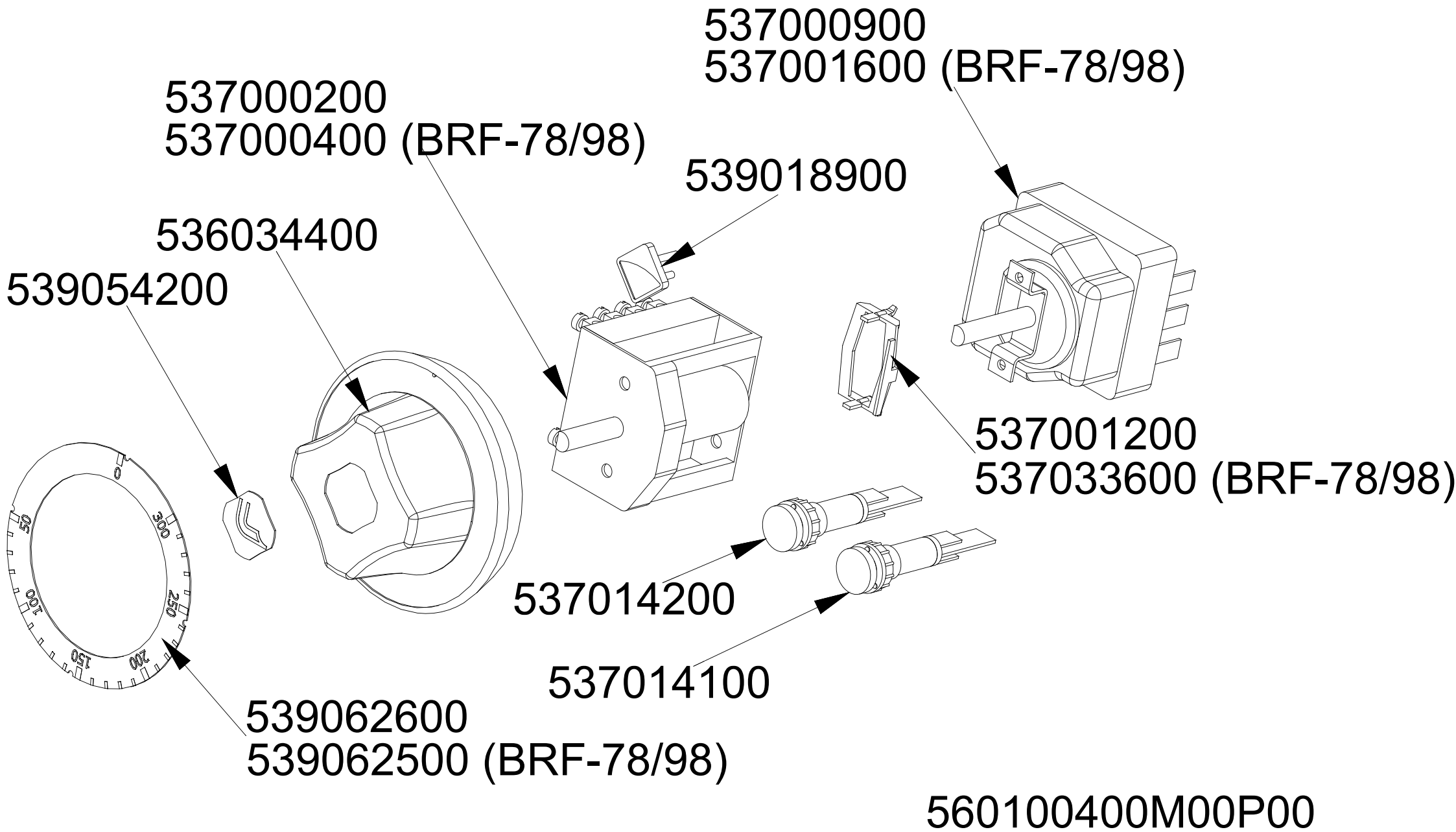
541188500

533010500

544508000
544695900 (X)

560076900M01P00





Page	Pos	Code	Description
001		533033300	TANK HANDLE BR-62
001		541028400	TANK BR-62
001		546015700	SQUARE BRAID 12*12*L1600 FC.
001		537015100	HEATING ELEMENT 2000W 230V BR
001		537016200	HEATING ELEMENT 2000W 440V BR 65
001		541209400	UPPER PLATE S60T BRT-66E
001		544508100	LHD SIDE OF 60T APPLIANCES
001		544696000	
001		537035400	HEATING ELEMENT 00003W 330KOHM W/F
001		537027400	TERMINAL BLOCK THREEPHASE 40A
001		537036500	TERMINAL BLOCK 4POLES 40A SCREW-SCR
001		537012800	SAFETY THERMOSTAT 420°C THREEPHASE
001		541188500	CONTROL PANEL 607090 BRT-66E
001		533010500	LEG M10*25 D.40
001		544508000	RHD SIDE OF 60T APPLIANCES
001		544695900	
002		537000900	THERMOSTAT 063-320°C THREEPHASE
002		537001600	THERMOSTAT 50-320°C SINGLEPHASE
002		537000200	COMMUTATOR 1 POS. 3PHASE S.49 16A
002		537000400	COMMUTATOR 1POS.SINGLEPHASE S49 16A
002		539018900	INDEX FOR KNOB W/RED SIGN
002		536034400	KNOB §77 4P. §06*4,6 C/M
002		539054200	STAMP Ø20,5 CR."L" LOTUS R.
002		537001200	FIXING BRACKET FOR THERMOSTAT/COMM.
002		537033600	FIXING BRACKET FOR THERMOSTAT/COMM.
002		537014200	GREEN WARNING LIGHT 250V
002		537014100	WHITE WARNING LIGHT 250V
002		539062600	RED STICKING DISK 72 (050,300°
002		539062500	RED STICKING DISK 72 (050,300°