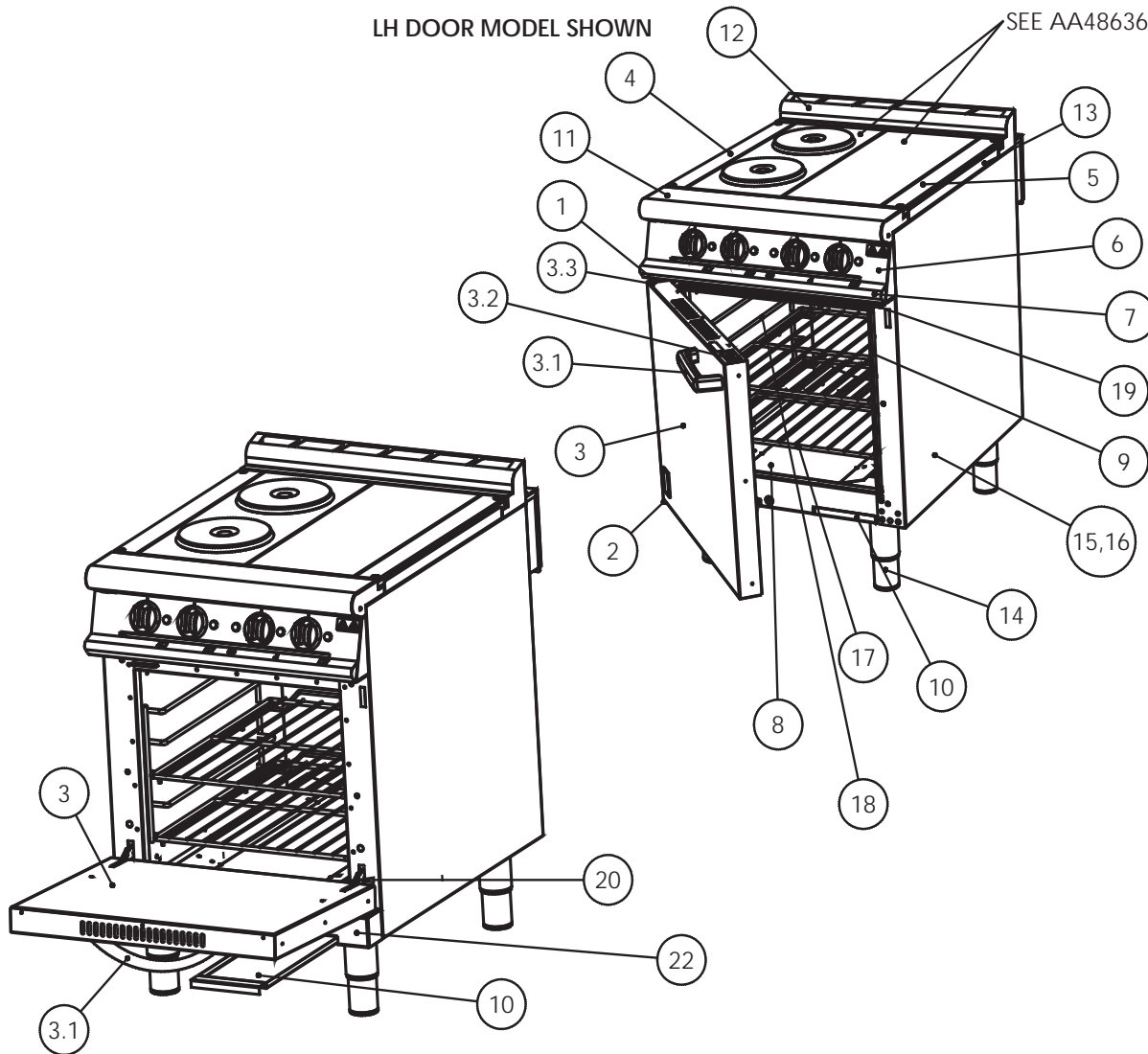


# DOMINATOR PLUS

LH DOOR MODEL SHOWN

SEE AA48636



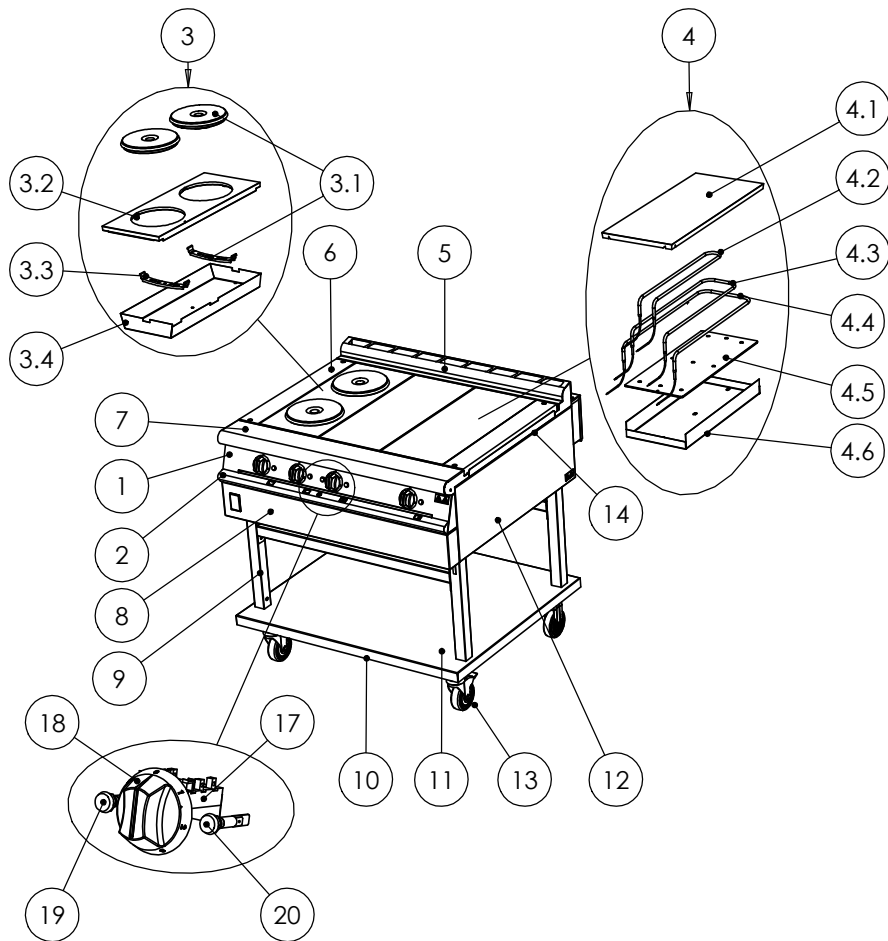
ITEM No	DESCRIPTION	E3161 3HP LH DOOR	E3161 3HP RH DOOR	E3161D
1	TOP DOOR HINGE	535200006	535200008	N/A
2	BOTTOM OVEN DOOR HINGE	535200007	535200009	N/A
3	OVEN DOOR ASSY	535330009	535330008	535290045
3.1	OVEN DOOR HANDLE	535290022		535290046
3.2	DOOR CATCH	535480054		N/A
3.3	DOOR HINGE BUSH	535480077		N/A
4	HOB FILLING LH SIDE		730963121	
5	HOB FILLING RH SIDE		730963121	
6	CONTROL PANEL		734000012	
7	DRIP TRAY		734000013	
8	OVEN BASE PANEL ASSY		731402250	
9	OVEN DOOR SEAL		535241010	
10	OVEN DRIP TRAY LH OR RH	734000001		734000041
11	FRONT HOB RAIL		535330006	
12	HOB REAR FLUE RAIL		535330005	
13	DRIP SHEDS LH OR RH		734000000	
	S/S ADJUSTABLE LEG		535290028	
14	CASTOR SWIVEL		530964350	
	CASTOR FIXED		534103055	
15	RH OUTER SIDE PANEL		535200001	
16	LH OUTER SIDE PANEL		535200000	
17	OVEN GRID SHELF		535330010	
18	OVEN SHELF HANGER		535200012	
19	OVEN DOOR LATCH & SHIM	535200013		N/A
20	DOOR HINGE SET	N/A		535290038
21	DOOR HINGE PLATE SET (NOT SHOWN)	N/A		535290039
22	BOTTOM SKIRT PANEL	N/A		535290047

FOR HOTPLATE SPARES SEE: AA48636  
FOR OVEN SPARES SEE: AA48719



Issue	Alteration	Date	Product	Document Reference
B	Initial Issue	01/03/13	E3161/61D	AA48635

# DOMINATOR PLUS



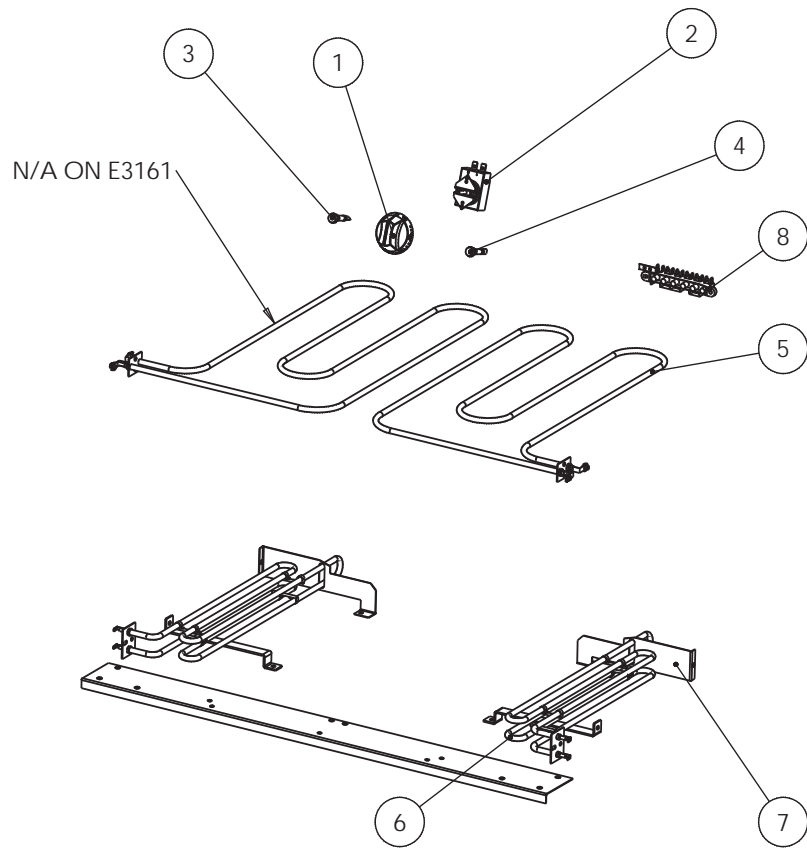
ITEM No	DESCRIPTION	E3117 (ON STAND)	E3121 3HP	E3121 4HP	E3101 & OTC 3HP	E3101 & OTC 4HP	E3161 3HP
1	CONTROL PANEL	SEE AA48634	734000015	734000017	SEE AA48634		SEE AA48635
2	DRIP TRAY	AA48634	734000016	734000018			
3	CIRCULAR HOTPLATE ASSEMBLY		N/A	730960114	N/A	730960114	
3.1	HOTPLATE C/W FIXING BRACKET		N/A	731400050	N/A	731400050	
3.2	ROUND HOTPLATE CASTING		N/A	730960101	N/A	730960101	
3.3	ROUND HOTPLATE FIXING BRACKET		N/A	730960115	N/A	730960115	
3.4	ROUND HOTPLATE COVER PLATE		N/A	730964160	N/A	730964160	
4	RECTANGULAR HOTPLATE ASSEMBLY	N/A	730960010				
4.1	RECTANGULAR HOTPLATE CASTING		731400110				
4.2	INNER ELEMENT		731400020				
4.3	INTERMEDIATE ELEMENT		731400030				
4.4	OUTER ELEMENT		731400040				
4.5	ELEMENT CLAMP PLATE		730960150				
4.6	HOTPLATE LAGGING BOX		730964060				
5	HOB REAR FLUE RAIL		532900017				SEE AA48635
6	HOB FILLING		730960090				
7	FRONT HOB RAIL		532900018				
8	LOWER CONTROL PANEL	N/A	535340001				N/A
9	LEG ASSEMBLY		535400202				
10	BOTTOM FRAME (NOT SHOWN)		535400204				
11	BOTTOM SHELF		535400203				
12	LH OR RH SIDE PANEL	N/A	535400190				N/A
13	S/S FOOT		535290028				
	CASTOR SWIVEL		534103055				
	CASTOR FIXED		530964350				
14	DRIP SHEDS LH OR RH		734000000				
17	6 POSITION HOTPLATE SWITCH	N/A	731400070				
18	6 POSITION HOTPLATE CONTROL KNOB		734000014				
19	RED MAINS INDICATOR NEON		731000008				
20	AMBER HEAT INDICATOR NEON		731000007				

Issue	Alteration	Date	Product	Document Reference
-------	------------	------	---------	--------------------

A	Initial Issue	09/08/11	E3117 E3121 3HP/4HP E3101 3HP/4HP E3101 OTC 3HP/4HP E3161	AA48636
---	---------------	----------	---	---------



# DOMINATOR PLUS



ITEM No	DESCRIPTION	E3161 3HP	E3101 3HP	E3101 4HP	E3117
1	OVEN CONTROL KNOB		734000002		
2	OVEN CONTROL THERMOSTAT	734000034	734000032	734000032	734000032
3	RED MAINS INDICATOR		731000008		
4	AMBER HEAT INDICATOR		731000007		
5	OVEN TOP ELEMENT LH(N/A E3161) OR RH		730962050		
6	OVEN BOTTOM ELEMENT LH OR RH		730962060		
7	REAR BOTTOM ELEMENT SUPPORT BKT		734200003		
8	MAINS TERMINAL		731000006		

FOR 900 WIDE OUTER PANELS, SEE AA48634  
 FOR 600 WIDE OUTER PANELS, SEE AA48635  
 FOR HOB ELECTRICS, SEE AA48636  
 FOR OTC OVEN ELECTRICS, SEE AA48637  
 FOR O/S SPARES, SEE AA49139

Issue	Alteration	Date	Product	Document Reference
C	Initial Issue	26/09/12	E3161/E3117 E3101 3HP/4HP	AA48719

