

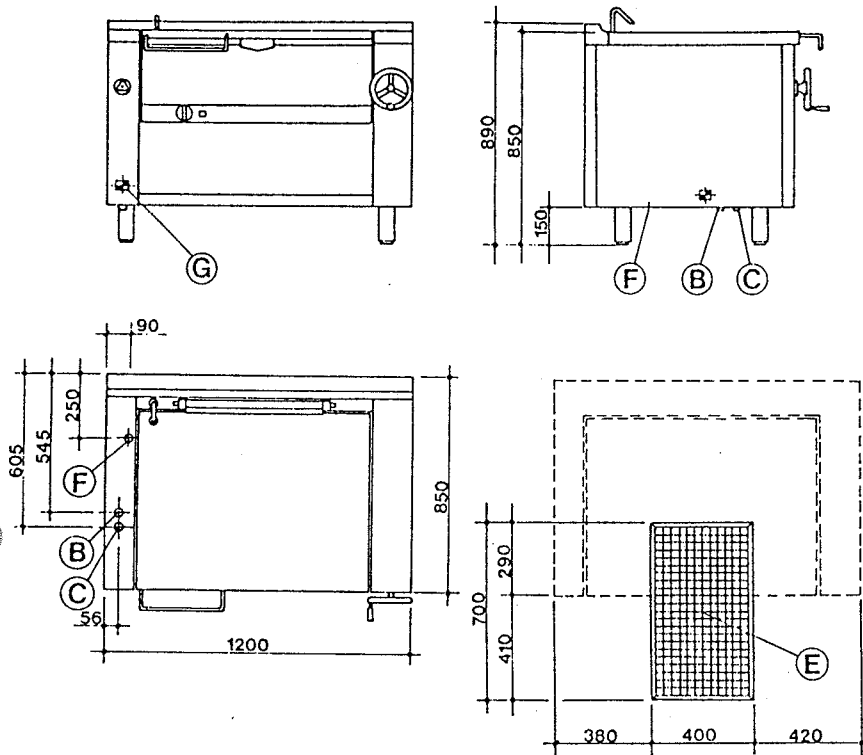
temperaturbegrenzer 5061616223

ambach

ERSATZTEILLISTE		LISTA PARTICOLARI		LIST OF PARTS		LIST DES COMPOSANTS		26.07.91	
0106905915	ELT-KIPPBRATPFANNE	BRASIERA ROV. ELT.	ELEC. TILTING BRAISING PAN	SAUTEUSE BASC.ELEC.	KHE/90	PAG.1			
COD.	BESCHREIBUNG	DESCRIZIONE	DESCRIPTION	DESCRIPTION			QUANT.		
1013506229	KABELSATZ	IMPIANTO CAVI ELT.	ELEC. WIRING ASSY.	INSTALL.CABLES ELE.	KHE/90		1		
2003103676	GEGENDECKEL	CONTROCOPERCHIO	COUNTER-COVER	COUVERCLE INTERNE	KB/90		1		
2020100286	HANDRAD	VOLANTINO	HANDWHEEL	VOLANT	KB/90		1		
3000501657	ROHR FÜHLER	TUBO PORTABULBO	PROBE-HOLDER TUBE	TUYAU PORTE SONDE	KHE/90		1		
3000506293	ROHR WASSEREINLAUF	TUBO ENTRATA ACQUA	WATER INPUT PIPE	TUYAU ENTREE EAU	KB/90		1		
3000506296	ROHR WASSERANSCHL.	TUBO ATTACCO ACQUA	WATER CONNECT.PIPE	TUYAU ARRIVEE EAU	KB/90		1		
3000507079	ROHR DISTANZ DECKEL	TUBO DISTANZ.COPER.	COVER SPACER TUBE	TUYAU ENTRETOI.COU.	KB/50/90		1		
3000804292	ABDECKUNG SEITE L.	CRUSCOTTO LATER.S.	PANEL LH SIDE	TABLEAU COTE GAUCH.	G/85		1		
3000806179	ABDECKUNG AUSLAUF	PROTEZIONE SCARICO	DRAIN COVER	PROTECTION DECHARG.	KB/90		1		
3000806271	ABDECKUNG HEIZUNG	PROTEZIONE CALORE	HEAT GUARD	PROTECTION CHAIEUR	KBE/90		1		
3000806332	ABDECKUNG E.ANLAGE	PROTEZIONE ELETTR.	ELEC. PROTECTION	PROTECTION ELECTR.	KBE/90		1		
3000808271	ABDECKUNG SEITE R.	CRUSCOTTO LATER.D.	PANEL RH SIDE	TABLEAU COTE DROIT	G/85		1		
3001000637	ANSCHLAG WELLE	BATTUTA ASSE	SHAFT SHOULDER	BUTEE AXE	KB/90		1		
3001100634	WELLE GETRIEBE	ASSE RIDUTTORE	REDUCER SHAFT	AXE REDUCTEUR	KB/90		1		
3001106196	WELLE FEDER L.	ASSE MOLLA SINISTR.	SHAFT LH SPRING	AXE RESSORT GAUCHE	KB/50/90		1		
3001106197	WELLE FEDER R.	ASSE MOLLA DESTRA	SHAFT RH SPRING	AXE RESSORT DROIT	KB/50/90		1		
3001107074	WELLE DECKELHUB	ASSE ALZACOPERCHIO	SHAFT COVER LIFT	AXE LEVE COUVERCLE	KB/50/90		1		
3001606230	BODEN	FONDO	BOTTOM	FOND	KB/90		1		
3001800574	BLENDE ANSCHLUSS	PANNELLO ALLACCIAMENTO	CONNECTION PANEL	PANNEAU BRANCHEMENT	KB/KSK/KBH		1		
3003103672	DECKEL DOPPELWAND.	COPERCHIO DOPPIO	COVER DOUBLE	COUVERCLE DOUBLE	KB/90		1		
3004605432	FUSS VIERKANTROHR	PIEDINO ESTERNO	FOOT EXTERNAL	PIED EXTERNE	G/85		4		
3005600648	GRIFF DECKEL	MANIGLIA COPERCHIO	COVER HANDLE	POIGNEE COUVERCLE	KB/90		1		
3006301250	HALTER KLEMMEN	SUPPORTO MORSETT.	TERMINAL SUPPORT	SUPPORT BORNE	HE/EH/WS		1		
3006301658	HALTER ROHR FÜHLER	SUPPORTO TUBO BULBO	PROBE TUBE SUPPORT	SUPPORT TUYAU SONDE	KHE/90		1		
3006301795	HALTER ENDSCHALTER	SUPPORTO FINECORSIA	LIMIT SWITCH SUPT.	SUPPORT FIN COURSE	KBHE/70		1		
3006301797	HALTER SICH.THERM.	SUPPORTO TERM.SIC.	SFTY THERMO.SUPT.	SUPPORT THERM.SEC.	KME/KBH		1		
3006302566	HALTER FÜHLER	SUPPORTO BULBO	PROBE SUPPORT	SUPPORT SONDE	EBP/35/70		1		
3006306256	HALTER KAMIN	SUPPORTO CAMINO	FLUE SUPPORT	SUPPORT CHEMINEE	KB/90		1		
3006306274	HALTER TISCHPL.L.	SUPPORTO PIANO S.N.	SUPPORT HOB LH BLK	SUPPORT PLAN GCH.N.	KB/90		1		
3006306275	HALTER TISCHPL.R.	SUPPOTO PIANO D.	SUPPORT HOB RH	SUPPORT PLAN DROIT	KB/90		1		
3006306276	HALTER KAMIN L.N.	SUPPORTO CAMINO D.N.	FLUE SUPPORT RH BLK.	SUPPORT CHEMIN.DR.N	KB/90		1		
3006306277	HALTER KAMIN R.N.	SUPPORTO CAMINO D.N.	FLUE SUPPORT RH BLK	SUPPORT CHEMIN.DR.N.	KB/90		1		
3006307088	HALTER SCHÜTZ	SUPPORTO TELERUTT.	REMOTE SWITCH SUPT.	SUPPORT TELERUPTE.	KHE/90-KSK		1		
3006706259	ISOLIERBLECH VORNE	LAMIERA ISOL.ANT.	INSUL. PLATE FRONT	TOLE ISOL. AVANT	KBE/90		1		
3006706260	ISOLIERBLECH HINT.	LAMIERA ISOL.POST.	REAR INSULAT.PLATE	TOLE ISOL.ARRIERE	KBE/90		1		
3006706285	ISOLIERBLECH AUSS.	LAMIERA ISOL.EST.	INSUL. PLATE EXT.	TOLE ISOL.EXTERNE	KBE/90		1		
3006707032	ISOLIERBL.WASSER	LAMIERA ISOL.ACQUA	WATER INSUL. PLATE	TOLE ISOL.EAU	KHE/90		1		
3006801981	ISOLIERPLATTE KLEMME 4-5POLIG	ISOLAZIONE BACHELITE 4-5 POLI	INSULATION 4-5 POLE BAKELITE	ISOLATION BAKELITE 4-5 POLES			1		
3008306261	TRÄGER UNTEN LINKS	PORTANTE INF.SIN.	MEMBER BOTTOM LH	PORTANT INF.GAUCHE	KB/90		1		
3008306262	TRÄGER UNTEN RECHTS	PORTANTE INF.DES.	MEMBER BOTTOM RH	PORTANT INF.DROIT	KB/90		1		
3008306263	TRÄGER OBEN LINKS	PORTANTE SUP.SIN.	MEMBER TOP LH	PORTANT SUP.GAUCHE	KB/90		1		
3008706237	MANTEL WANNE H.	MANTELLO RIVEST.P.	COVER JACKET REAR	MANTEAU REVETEM.ARR.	KBE/90		1		
3008706240	MANTEL WANNE V.	MANTELLO RIVEST.A.	COVER JACKET FRONT	MANTEAU REVETEM.AVT	KBE/90		1		

0106905915	ELT-KIPPBRATPFANNE	BRASIERA ROV. ELT.	ELEC. TILTING BRAISING PAN	SAUTEUSE BASC.ELEC.	KHE/90	PAG.2
COD.	BESCHREIBUNG	DESCRIZIONE	DESCRIPTION	DESCRIPTION		QUANT.
3008900636	LAGER KURBELWELLE	SUPPORTO ASSE	SHAFT SUPPORT	SUPPORT AXE	KB/90	1
3008907147	LAGER DECKELHUB L.	SUPPORTO CERN.SIN.	HINGE SUPPORT LH	SUPPORT CHARN.GCHE	KB/50/90	1
3008907148	LAGER DECKELHUB R.	SUPPORTO CERN.DES.	HINGE SUPPORT RH	SUPPORT CHARN.DRT	KB/50/90	1
3009606853	STIFT ANSCHLAG DECK.	PERNO BATTUTA COP.	COVER THRUST PIN	PIVOT BUTEE COUVER.	KB/50/90	2
3009706234	RÜCKWAND AUSSEN	SCHIENA ESTERNA	BACK OUTER	DOS EXTERNE	KB/90	1
3009706236	RÜCKWAND INNEN	SCHIENA INTERNA	BACK INNER	DOS INTERNE	KBE/90	1
3011506231	SEITENWAND INNEN L.	FIANCO INTERNO S.	SIDE INNER LH	COTE INTERNE GCHE	KB/90	1
3011506232	SEITENWAND INNEN R.	FIANCO INTERNO D.	SIDE INNER RH	COTE INTERNE DRT	KB/90	1
3011506233	SEITENWAND AUSSEN	FIANCO ESTERNO	SIDE OUTER	COTE EXTERNE	KB/90	2
3013206266	TISCHPLATTE L.N.	PIANO SIN.	HOB LH	PLAN GAUCHE	KB/90	1
3013206267	TISCHPLATTE R.N.	PIANO DES.N.	HOB RH BLACK	PLAN DROIT N.	KB/90	1
3014206302	VERSTÄRKUNG HINTEN	RINFORZO	STIFFENER	RENFORT	KBE/90	1
3014206440	VERSTÄRKUNG TRÄGER	RINFORZO PORTANTE	STIFFENER MEMBER	RENFORT PORTANT	KBH/90	1
3040206249	BEILAGSCHEIBE INN.	RONDELLA INTERNA	WASHER INT.	RONDELLE INTERNE	KB/90	1
3040206255	BEILAGSCHEIBE AUSS.	RONDELLA ESTERNA	WASHER EXT.	RONDELLE EXTERNE	KB/90	1
3040400644	MUTTER DECKELHUB	DADO COPERCHIO	NUT COVER	ECROU COUVERCLE	KB/50/90	1
3042400630	PASSFEDER 50x8x9	LINGUETTA 50x8x9	TONGUE	LANGUETTE 50x8x9	KB/KSK	1
3042405377	PASSFEDER 50x9x8,07	LINGUETTA ARROTONDATA	TONGUE ROUNDED 50x9x8.	LANGUETTE ARRONDIE 50x9x8,	KB/KSK	1
3500805333	ABDECKUNG KAMIN N	CRUSCOTTO CAMINO N	FLUE BLANK PANEL	TABEAU CHEMINEE N.	G/120	1
3501006294	ANSCHLAG	BATTUTA	SHOULDER	BUTEE	KB/90	1
3506306226	HALTER KABEL	SUPPORTO CAVO	WIRING SUPPORT	SUPPORT CABLE	KBE/90	1
3506706284	ISOLIERBLECH INNEN	LAMIERA ISOL.INT.	INSUL. PLATE.INT.	TOLE ISOL.INTERNE	KBE/90	1
3508305473	TRÄGER FUSS	SUPPORTO PIEDE	FOOT SUPPORT	SUPPORT PIED	G/85	4
3508306264	TRÄGER OBEN RECHTS	PORTANTE SUP.DES.	MEMBER RH TOP	PORTANT SUP.DROIT	KBH/90	1
3508706242	MANTEL WANNE RECHT.	MANTELLA RIVEST.D.	COVER JACKET RH	MANTEAU REVETEM.D.	KB/90	1
3508707250	MANTEL WANNE LINKS	MANTELLA RIVEST.S.	COVER JACKET LH	MANTEAU REVETEM.G.	KB/90	1
3508900635	LAGER WELLE LINKS	SUPPORTO ASSE S.	SHAFT SUPPORT LH	SUPPORT AXE GAUCHE	KB/90	1
3511806227	SCHALTBLLENDE	PANNELLO COMANDO	CONTROL PANEL	PANNEAU COMMANDE	KBE/90	1
3512007072	SCHARNIER DECKEL	CERNIERA COPERCHIO	COVER HINGE	CHARNIERE COUVERCL.	KB/50/90	1
3513206265	TISCHPLATTE HINTEN	PIANO POSTERIORE	REAR HOB	PLAN ARRIERE	KB/90	1
3514203674	VERSTÄRKUNG DECKEL	RINFORZO COPERCHIO	COVER STIFFENER	RENFORT COUVERCLE	KB/50/90	2
5004605409	FUSS VERSTELLBAR	PIEDINO REGOLABILE	ADJUSTABLE FOOT	PIED REGLABLE	G/85	4
5004705392	TELLERFEDER	MOLLA A TAZZA 60x30,5x3	CUP SPRING60x30,5x3	RESSORT DISQUE	60x30,5x3	1
5004707073	FEDER DECKELHUB	MOLLA ALZACOPERCHIO	SPRING COVER LIFT	RESSORT LEVE COUVER.	KB/50/90	1
5006805314	ISOLIERUNG GLASWOLLE	PANNELLO ISOLANTE	INSULATING PANEL 750x490x25	PANNEAU ISOLANT	750x490-	1
5006806248	ISOLIERUNG GLASWOLLE	PANNELLO ISOLANTE 900x260x25	INSULATING PANEL 900x260x25	PANNEAU ISOLANT	900x260	2
5008505390	KUGELLAGER	CUSCINETTO A SFERE 35x62x20	BALL BEARING 35x62x20	ROULEMENT A BILLES	35x62x20	1
5015407336	WANNE BODEN FE	VASCA FONDO	BOTTOM TRAY FE	CUVE FOND FE	KB/90lt.	1
5018003414	WASSERHAHN BLAU	RUBINETTO BLU 1/2"	COCK BLUE	ROBINET BLEU 1/2"	KB/90	1
5022904315	SCHALTKNOPF	MANOPOLA 50o-300o	KNOB	POIGNEE	50o-300o	1
5026904330	GETRIEBE	RIDUTTORE	REDUCER	REDUCTEUR	KBH/90	1
5029406192	WASSEREINLAUF 1/2"	GETTO D'ACQUA 1/2"	WATER JET	JET D'EAU 1/2"	KB/50/90	1
5040003697	NUTMUTTER	GHIERA DI BLOCCAGGIO M35x1,5	LOCK RING M35x1.5	FRETTE DE BLOCAGE	M35x1,5	1

KHE/90



(B) KABELINFÜHRUNG
 PASSACAVO
 CABLE ENTRY
 ENTREE DE CABLE

(G) ELT. ANSCHLUSSKLEMME
 MORSETTIERA ARRIVO LINEA
 CONNECTION SUPPLY TERMINAL
 RACCORD BORNE D'ALIMENTATION

(F) SCHRAUBE FÜR POTENTIALAUSGLEICH
 VITE DI COMPENSAZIONE POTENZIALE
 SCREW FOR POTENTIAL COMPENSATION
 VIS DE COMPENSATION DE POTENTIEL

(C) WASSERANSCHLUSS 1/2"
 COLLEGAMENTO ACQUA 1/2"
 WATER CONNECTION 1/2"
 PRISE D'EAU 1/2"

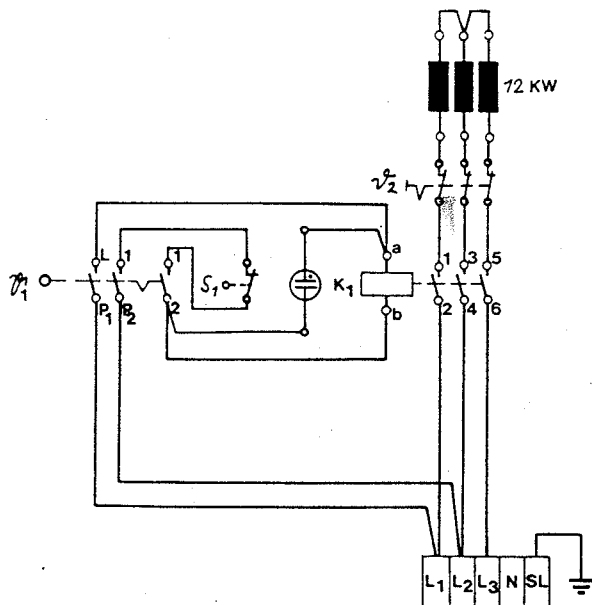
(E) • BODENWANNE MIT ROST UND WASSERABLAUF
 • VASCA A PAVIMENTO CON GRIGLIA E SCARICO ACQUA
 • BOTTOM TRAY WITH GRATE AND WATER DRAIN
 • CUVE DE FOND AVEC GRILLE ET ECOULEMENT D'EAU

HEIZKÖRPER BRATPFANNE RESISTENZA BRASIERA HEATING ELEMENT BRATT-PAN ELEMENT DE CHAUFFAGE SAUTEUSE	12 KW
--	-------

NENNAUFNAHME POTENZA NOMINALE NOMINAL CONSUMPTION PRISE DE COURANTE	12 KW
--	-------

ELEKTRO SCHALTPLAN SCHEMA ELETTRICO
 WIRING DIAGRAM SCHEMA ELECTRIQUE

HEIZKÖRPER KIPPBRATPFANNE
 RESISTENZA BRASIERA ROVESCIBILE
 HEATING ELEMENT TILTING BRATT-PAN
 ELEMENT DE CHAUFFAGE SAUTEUSE BASCULANTE



(T₁) TEMPERATURREGLER MIT EIN-AUS SCHALTER
 TERMOSTATO CON INTERRUETTORE
 THERMOSTAT WITH ON-OFF SWITCH
 THERMOSTAT AVEC INTERRUPTEUR

(H₁) KONTROLLEUCHE
 LAMPADA CONTROLLO
 CONTROL LIGHT
 TEMOIN LUMINEUX

(K₁) SCHALTSCHÜTZ
 CONTATTORE
 CONTACTOR
 CONTACTEUR