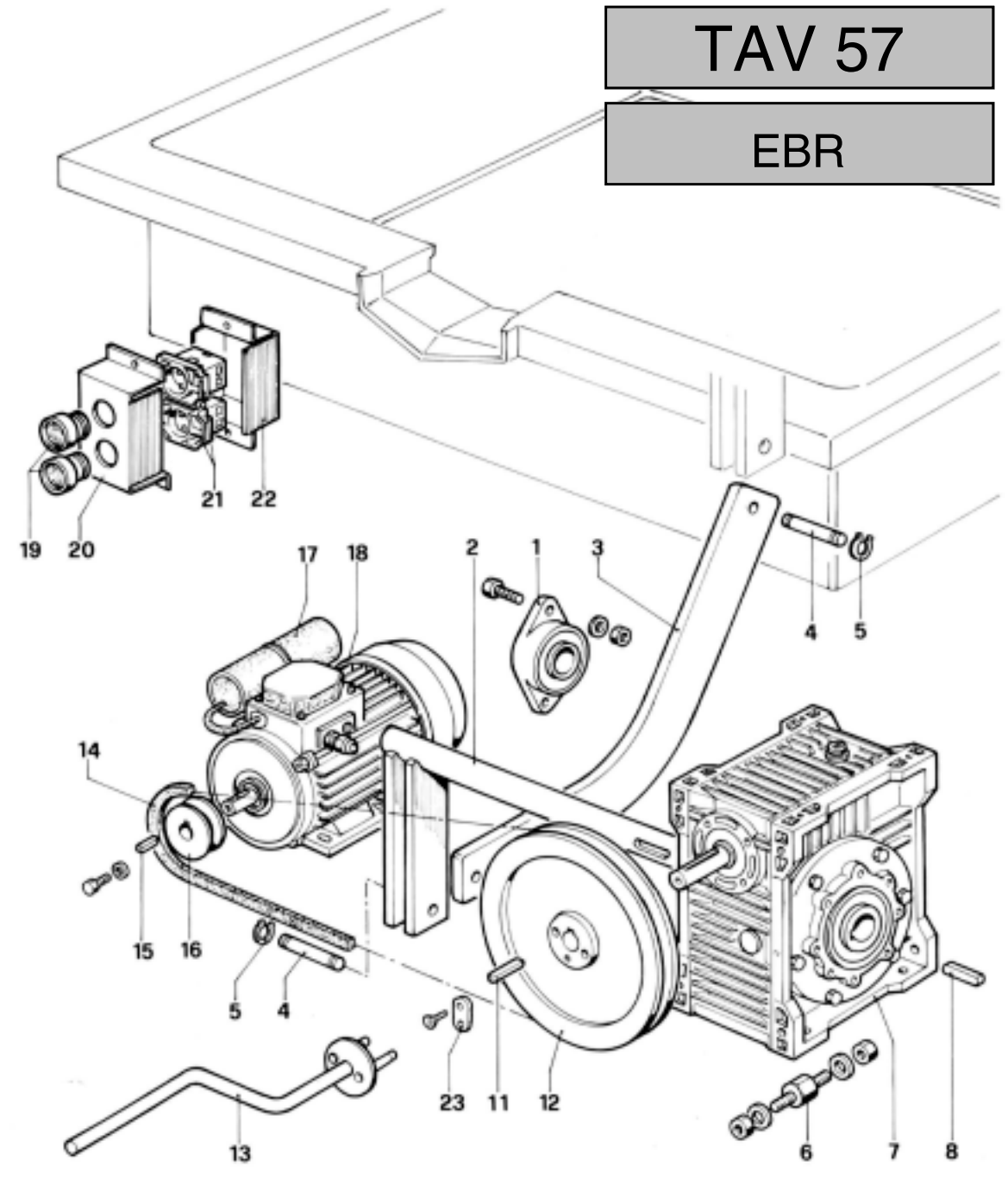
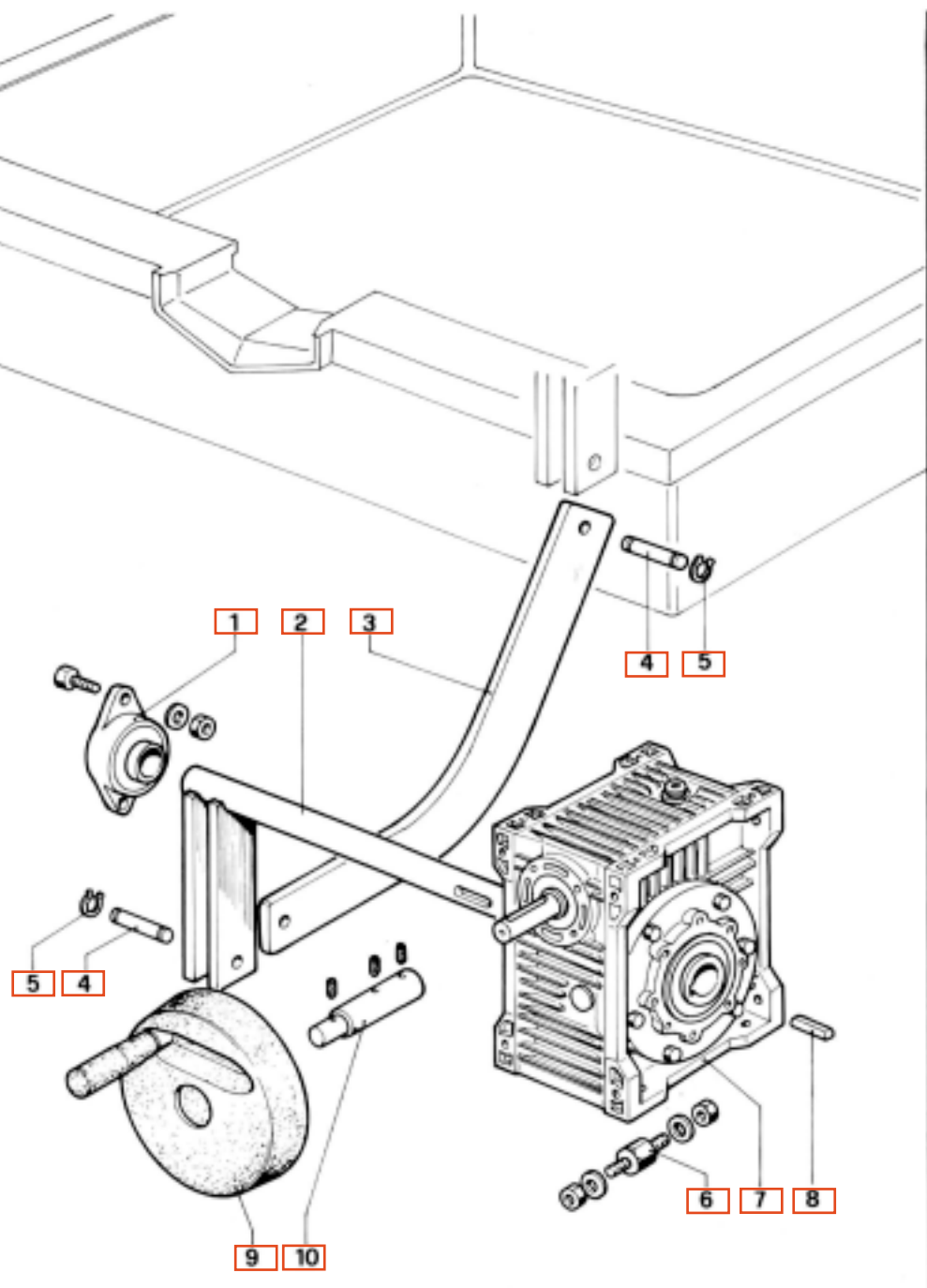
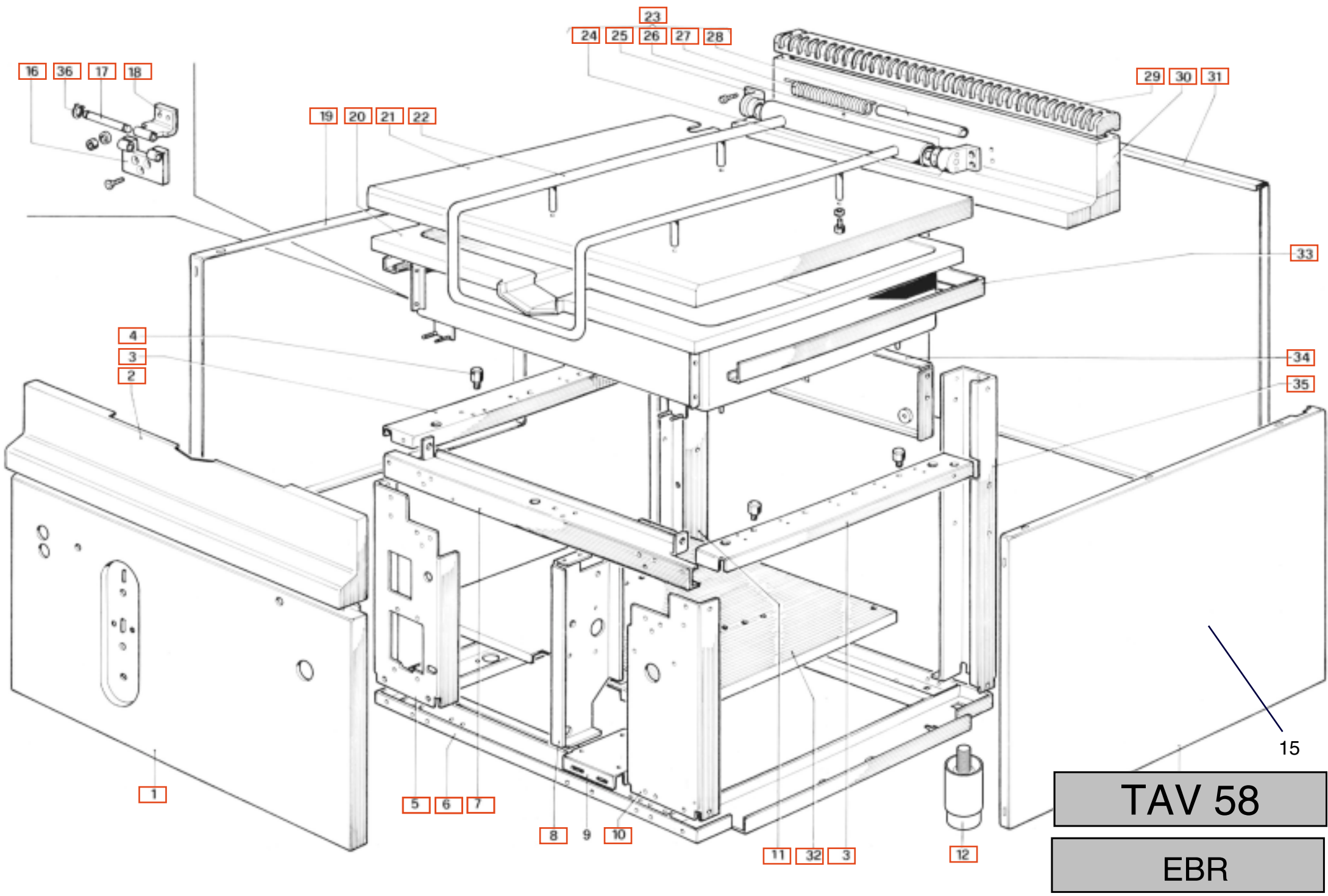


TAV 57

EBR



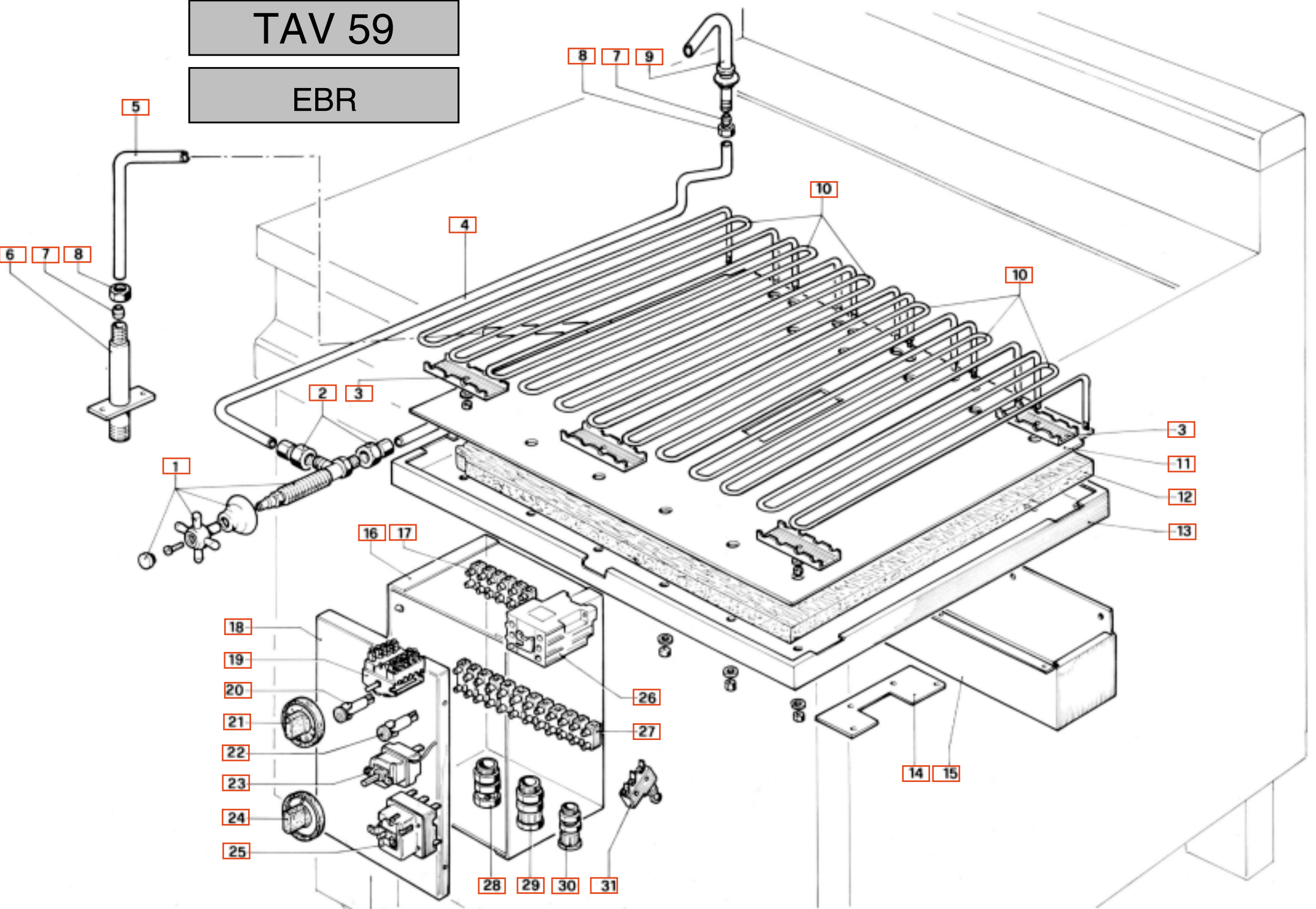
MAGISTRA TAV. 57	1	RTBF900104	SUPPORTO OSCILLANTE	SUPPORT OSCILLANT	OSCILLATING SUPPORT	GELENKLAGER
MAGISTRA TAV. 57	2	RTBF900106	RIBALTATORE	BASCULEUR BAC	TANK TILTING DEVICE	WANNENDIPPVORRICHTUNG
MAGISTRA TAV. 57	3	RTBF900110	LEVA RIBALTATORE	RALLONGE BASCULEUR	FILTING DEVICE EXTENSION	KIPPVORRICHTUNGSVERLÄNGERUNG
MAGISTRA TAV. 57	4	RTBF900096	PERNO FISSAGGIO RIBALTATORE	PRISE BASCULEUR	FILTING DEVICE PLUG	KIPPVORRICHTUNGSSTIFT
MAGISTRA TAV. 57	5	RTMIN00123	SEEGER ESTERNO Ø 10	SEEGER Ø 10	SEEGER Ø 10	SEEGER Ø 10
MAGISTRA TAV. 57	6	RTBF900102	PERNO FISSAGGIO RIDUTTORE	TOURILLON FIXATION RÉDUCTEUR	REDUCTION ATTACHMENT PIN	KIPPVORRICHTUNG
MAGISTRA TAV. 57	7	RTBF900109	RIDUTTORE	RÉDUCTEUR	REDUCTION UNIT	UNTERSETZUNGSGETRIEBE
MAGISTRA TAV. 57	8	RTMIN00226	CHIAVETTA 8X7X40	CLAVETTE 8X7X40	KEY 8X7X40	FEDER 8X7X40
MAGISTRA TAV. 57	9	RTBF800093	VOLANTINO COMANDO RIBALTAMENTO	VOLANT	HANDWAL	HANDWEL
MAGISTRA TAV. 57	10	RTBF900105	BUSSOLA PROLUNGA VOLANTINO	FOURREAU ROLLONGE VOLANT	FLYWHEEL EXTENSION BUSHING	HANDRADVERLÄNGERUNGSBUCHSE
MAGISTRA TAV. 57	11	RTMIN00250	CHIAVETTE 6X6X39	CLAVETTE 6X6X39	KEY 6X6X39	FEDER 6X6X39
MAGISTRA TAV. 57	12	RTBF900124	PULEGGIA RIDUTTORE	POULIE RÉDUTEUR	REDUCTION UNIT PULLEY	RIEMENSCHLEIBE
MAGISTRA TAV. 57	13	GABF900121	MANIGLIA DI SOCCORSO	POIGNÉE DE SECOURS	EMERGENCY HANDLE	NOT-GRIFF
MAGISTRA TAV. 57	14	RTBF900125	CINGHIA TRAPEZOIDALE	COURROI TRAPÉZOIDALE	VBELT	KEILRIEMEN
MAGISTRA TAV. 57	15	RTMIN00251	CHIAVETTA 5X5X25	CLAVETT 5X5X25	KEY 5X5X25	FEDER 5X5X25
MAGISTRA TAV. 57	16	RTBF900123	PULEGGIA MOTORE	POULIE MOTEUR	MOTOR PULLEY	MOTOR-RIEMENSCHLEIBE
MAGISTRA TAV. 57	17	RTCU800156	CONDENSATORE	PROTECTION MOTEUR	MOTOR GUARD	MOTORSCHUTZ
MAGISTRA TAV. 57	18	RTBF900122	MOTORE ELETTRICO	MOTEUR RELEVAGE BAC	TANK TILTING MOTOR	WANNENHEBEMOTOR
MAGISTRA TAV. 57	19	RTBF800123	PULSANTE	BOUTON	PUS BOTTOM	DRUCKKNOPF
MAGISTRA TAV. 57	20	PABF900346	SQUADRETTA FISSAGGIO PULSANTI	EGUERRE FIXATION BOUTONS	BRACKET FOR PUSH BOTTON	WINKELEISEN
MAGISTRA TAV. 57	21	RTBF800125	CONTATTI PULSANTI	CONTACTS BOUTONS	PUSHBOTTON CONTACT	DRUCKKNOPFKONTAKTE
MAGISTRA TAV. 57	22	PABF900347	PROTEZIONE PULSANTI	PROTECTION BOUTONS POUSSOIRS	PUSHBOTTON GUARD	SCHUTZVORRICHTUNG
MAGISTRA TAV. 57	23	PABF900353	FLANGIA FISSAGGIO PULEGGIA	BRIDE FIXATION POULIE	PULLEY ATTACHMENT FLANGE	BEFESTIGUNGSFLANSCH FÜR RIEMENSCHLEIBE



MAGISTRA TAV. 58	1	PABF800293	FACCIATA ESTERNA EBR	DEVANTURE EXTERNE EBR	EXTERNAL FACE EBR	AUSSENVORDERWAND EBR
MAGISTRA TAV. 58	1	PABF800294	FACCIATA ESTERNA EBRA	DEVANTURE EXTERNE EBRA	EXTERNAL FACE EBRA	STIRNBRETT EBRA
MAGISTRA TAV. 58	2	GABF800110	CRUSCOTTO	PANNEAU DE COMMANDE	CONTROL PANEL	STIRNBRETT
MAGISTRA TAV. 58	3	PABF900228	TRAVERSA LATERALE	CROISILLON LATÉRAL	SIDE CROSSBAR	QUERTRÄGER
MAGISTRA TAV. 58	4	RTBF900119	VITE APPOGGIO VASCA	SUPPORT CUVE	TANKE SUPPORT	REGLERHALTERUNG
MAGISTRA TAV. 58	5	PABF900226	PIANTANA ANTERIORE SINISTRA	COLONNE AVANT GAUCHE	FRONT LEFT SUPPORT	SÄULE VORNE LINKS
MAGISTRA TAV. 58	6	GABF800108	BASAMENTO	SOUBASSEMENT	BASE	UNTERGESTELL
MAGISTRA TAV. 58	7	PABF900247	TRAVERSA ANTERIORE	CROISILLON ANTÉRIEUR	BACK CROSSBAR	VORDERER QUERTRÄGER
MAGISTRA TAV. 58	8	PABF900220	SUPPORTO CENTRALE PERNO	SUPPORT CENTRAL	CENTRAL SUPPORT	MITTLERE HALTERUNG
MAGISTRA TAV. 58	9	PABF800290	SUPPORTO MOTORE	SUPPORT MOTEUR	MOTOR SUPPORT	HALTERUNG
MAGISTRA TAV. 58	10	PABF900225	PIANTANA ANTERIORE DESTRA	COLONNE AVANT DROITE	FRONT RIGHT SUPPORT	SÄULE VORNE RECHTS
MAGISTRA TAV. 58	11	PABF900331	PIANTANA POSTERIORE SINISTRA	COLONNE ARRIÈRE GAUCHE	REAR LEFT SUPPORT	SÄULE HINTEN LINKS
MAGISTRA TAV. 58	12	RTCU800297	PIEDINO INOX	PIED INOX	STAINLESS STEEL FOOT	INOX-FUß
MAGISTRA TAV. 58	15	PABF800285	FIANCO DESTRO	CÔTÉ DROIT	RIGHT SIDE	RECHTE SEITE
MAGISTRA TAV. 58	16	RTBF900101	CERNIERA FISSA VASCA	CHARNIÈRE FIXE CUVE	FIXED BASIN HINGE	FESTES WANNENSCHARNIER
MAGISTRA TAV. 58	17	RTBF900099	PERNO CERNIERA ANTERIORE	TOURILLON CHARNIÈRE AVANT	FRONT HINGE PIN	SCHARNIERZAPFEN
MAGISTRA TAV. 58	18	RTBF900100	CERNIERA MOBILE VASCA	CHARNIÈRE MOBILE CUVE	MOBIL BASIN HINGE	BEWEGLICHES WANNENSCHARNIER
MAGISTRA TAV. 58	19	PABF800286	FIANCO SINISTRO	CÔTÉ GAUCHE	LEFT SIDE	LINKE SEITE
MAGISTRA TAV. 58	20	RTBF800300	VASCA	CUVE	TANK	WANNE
MAGISTRA TAV. 58	21	GABF800106	COPERCHIO	COUVERCLE	COVER	TOPFDECKEL
MAGISTRA TAV. 58	22	RTCP800031	MANIGLIA COPERCHIO	POIGNÉE DU COUVERCLE	HANDLE FOR COVER	DECKELGRIFF
MAGISTRA TAV. 58	23	RTBF800080	GRUPPO CERNIERA COPERCHIO	CHARNIÈRE COUVERCLE	COVER HINGE	ABDECKUNGSSCHARNIER
MAGISTRA TAV. 58	24	RTCP800030	TERMINALE DESTRO MANIGLIA	TERMINAL DROITE CHARNIÈRE	RIGHT TERMINAL HINGE	RECHTER ENDVERSCHLUß
MAGISTRA TAV. 58	25	RTCP800029	TERMINALE SINISTRO MANIGLIA	TERMINAL GAUCHE CHARNIÈRE	LEFT TERMINAL HINGE	LINKER ENDVERSCHLUß
MAGISTRA TAV. 58	26	RTCP800028	REGOLATORE MOLLA COPERCHIO	RÉGULATEUR RESSORT COUVERCLE	COVE SPRING ADJ. DEVICE	FEDERREGLER ABDECKUNG
MAGISTRA TAV. 58	27	RTBF800103	MOLLA CERNIERA COPERCHIO	RÉSSORT POUR CHARNIÈRE	SPRIENG FOR COVER HINGE	SCHARNIERFEDER
MAGISTRA TAV. 58	28	RTCP800027	GUIDA MOLLA CERNIERA	GUIDE POUR RÉSSORT CHARNIÈRE	SPRING FOR HINGE SPRING	TÜRFEDERFÜHRUNG
MAGISTRA TAV. 58	29	GACU800014	GRIGLIA CAMINETTO	GRILLE DE LA CHEMINÉE	CHIMNEY GRATE	SCHORNSTEINROST
MAGISTRA TAV. 58	30	GABF800111	CAMINETTO SUPERIORE	CHEMINÉE SUPERIEURE	SUPERIOR CHIMNEY	OBERER SCHORNSTEIN
MAGISTRA TAV. 58	31	PABF800280	POSTERIORE INOX	PANNEAU DERRIÈRE INOX	STAINLESS STEEL BACK PANEL	INOX-RÜCKWAND
MAGISTRA TAV. 58	32	PABF900243	PIANO INFERIORE INOX	PLAN INFERIEUR	LOWER PLAN	UNTERE EBENE
MAGISTRA TAV. 58	33	GABF800107	CONTORNO RACCOGLIOLIO	CONTOUR	OIL COLLECTION EDGE	ÖLSAMMELRAND
MAGISTRA TAV. 58	34	GABF800112	TRAVERSA POSTERIORE	CROISILLON POSTERIEURE	REAR CROSSBAR	HINTERE QUERTRÄGER
MAGISTRA TAV. 58	35	PABF900227	PIANTANA POSTREIORE DESTRA	COLONNA ARRIÈRE DROITE	REAR RIGHT SUPPORT	SÄULE HINTEN RECHTS
MAGISTRA TAV. 58	36	RTMIN00123	SEEGER Ø 10	SEEGER Ø 10	SEEGER Ø 10	SEEGER Ø 10

TAV 59

EBR



MAGISTRA TAV. 59	1	RTCP800018	RUBINETTO ACQUA	ROBINET DE L'EAU	WATER TAP	WASSERHAHN
MAGISTRA TAV. 59	2	RTBF800126	NIPLES COMPLETO Ø 10	NIPLES POUR TUYAU Ø 10	NIPLES FOR PIPE Ø 10	NIPPEL FÜR SCHLAUCH Ø 10
MAGISTRA TAV. 59	3	PABF900131	SQUADRETTA FISSAGGIO RESISTENZA	EGUERRE FIXATION RÉSISTANCE EL.	BRACKET FOR EL. RESISTOR ATTACHMENT	WINKELEISEN
MAGISTRA TAV. 59	4	PABF900202	TUBO ALIMENTAZIONE EROGATORE	TUYAU REMPLISSAGE BAC	TANK FILLING PIPE	WANNENFÜLLROHR
MAGISTRA TAV. 59	5	PABF800292	TUBO ALIMENTAZIONE RUBINETTO	TUYAU DISTRIBUTION EAU	WATER FEEDING PIPE	HAHNVERSORGUNGSROHR
MAGISTRA TAV. 59	6	GABF800035	ATTACCO ACQUA	ATTAQUE DE L'EAU	WATER CONNECTION	WASSERANSCHLUß
MAGISTRA TAV. 59	7	RTC900012	BICONO Ø 10	BICONE POUR TUYAU Ø 10	BICONE FOR PIPE Ø 10	ZWEIKEGEL Ø 10
MAGISTRA TAV. 59	8	RTC900013	CALOTTA Ø 10	ECROU POUR TUYAU Ø 10	NUT FOR PIPE Ø 10	MUTTER FÜR SCHLAUCH Ø 10
MAGISTRA TAV. 59	9	RTBF800041	EROGATORE ACQUA	DISTRIBUTEUR EAU	WATER DISTRIBUTOR	WASSERVERSORGER
MAGISTRA TAV. 59	10	RTBF800026	RESISTENZA ELETTRICA 1500W 240V.	RÉSISTNCE ELECTRIQUE 1500W 240V.	OVER HEATING ELECT. 1500W 240V.	ELEKT. WIDERSTÄNDE 1500W 240V.
MAGISTRA TAV. 59	11	PABF900246	CONTENIORE INTERNO ISOLANTE	BOITIER ISOLANT RÉSISTANCES EL.	EL. RESISTOR INSULATING CONTAINER	ISOLIERMITTELBEHÄLTER EL. WIDERSTÄNDE
MAGISTRA TAV. 59	12	MPIS000003	PANNELLO ISOLANTE	PANNEAU ISOLANT	INSULATING PANEL	ISOLIERTAFEL
MAGISTRA TAV. 59	13	PABF900244	CONTENITORE ESTERNO ISOLANT	BOITIER EXTERNE POUR ISOLANT	EXTERIOR CONTAINER FOR INSULATION	EXTERNER ISOLIERMITTELBEHÄLTER
MAGISTRA TAV. 59	14	PABF900248	PIASTRINA COPRIFORO CONTENITORE	PLAQUETTE BOUCHE-TROU	HOLE COVER PLATE	LOCHABDECKUNG
MAGISTRA TAV. 59	15	PABF900245	PROTEZIONE MORSETT. RESISTENZE	PROTECTION BORNIER RÉSISTANCES	EL. RESISTOR TERMINAL STRIP GNARD	SCHUTZVORRICHTUNG KLEMMBRETTER
MAGISTRA TAV. 59	16	PABF900230	SCATOLA PORTACOMANDI	BOITIER PORTE-COMMANDES	CONTROL BOX	STEUERUNGSKASTEN
MAGISTRA TAV. 59	17	PABF900045	MORSETTIERA 6 POLI	GROUPE DE CONNECTION DE CABLES	TERMINAL BLOC 6 POLES	KLEMMENBREIT 6 POLIG
MAGISTRA TAV. 59	18	GABF900117	COPERCHIO SCATOLA	COUVERCLE BOITIER	BOX COVER	KASTENDECKEL
MAGISTRA TAV. 59	19	RTC9000212	COMMUTATORE	COMMUTEUR	COMMUTATOR	KOMMUTATOR
MAGISTRA TAV. 59	20	RTC9000290	LAMPADA SPIA VERDE	LAMPE TÉMOIN VERT	GREEN WARNING LIGHT	GRÜNE KONTROLLEUCHTENBIRNE
MAGISTRA TAV. 59	21	RTC9000062	MANOPOLA COMMUTATORE	BOUTON DU COMMUTEUR	COMMUTATOR KNOB	KOMMUTATORKUGELGRIFF
MAGISTRA TAV. 59	22	RTC9000072	LAMPADA SPIA GIALLA	LAMPE TÉMOIN JAUNE	YELLOW WARNING LIGHT	GELBE KONTROLLEUCHTENBIRNE
MAGISTRA TAV. 59	23	RTC9000085	TERMOSTATO	THERMOSTAT	THERMOSTAT	THERMOSTAT
MAGISTRA TAV. 59	24	RTBF800085	MANOPOLA TERMOSTATO	BOUTON DU THERMOSTAT	THERMOSTAT KNOB	THERMOSTATKUGELGRIFF
MAGISTRA TAV. 59	25	RTBF800192	TERMOSTATO LIMIT	THERMOSTAT LIMIT	LIMIT THERMOSTAT	LIMIT THERMOSTAT
MAGISTRA TAV. 59	26	RTBF800153	RELAIS EBR	RELAIS EBR	RELAIS	RELAIS
MAGISTRA TAV. 59	27	RTBF800149	MORSETTIERA 12 POLI	GROUPE DE CONNECTION DE CABLES	TERMINAL BLOC 12 POLE	KLEMMENBREIT 12 POLIG
MAGISTRA TAV. 59	28	RTBF800138	FISSACAVO Ø 9	FIXE-CABLE Ø 9	CABLE CLAMB Ø 9	KABELHALTER Ø 9
MAGISTRA TAV. 59	29	RTC9000102	PASSACAVO Ø 9	PASSE-CABLE Ø 9	CABLE GUIDE Ø 9	KABELRINNE Ø 9
MAGISTRA TAV. 59	30	RTC9000103	PASSACAVO	PASSE-CABLE	CABLE GUIDE	KABELRINNE
MAGISTRA TAV. 59	31	RTBF800113	MICROINTERRUPTORE SOLLEVAM. VASCA	MICRO-INTERRUPTEUR	MICROSWITCH	MIKROSCHALTER