

NM650 SERVICE PARTS

This parts list contains the service parts and wiring diagrams for this model. Check the model number in question to be sure that it is applicable to this parts list.

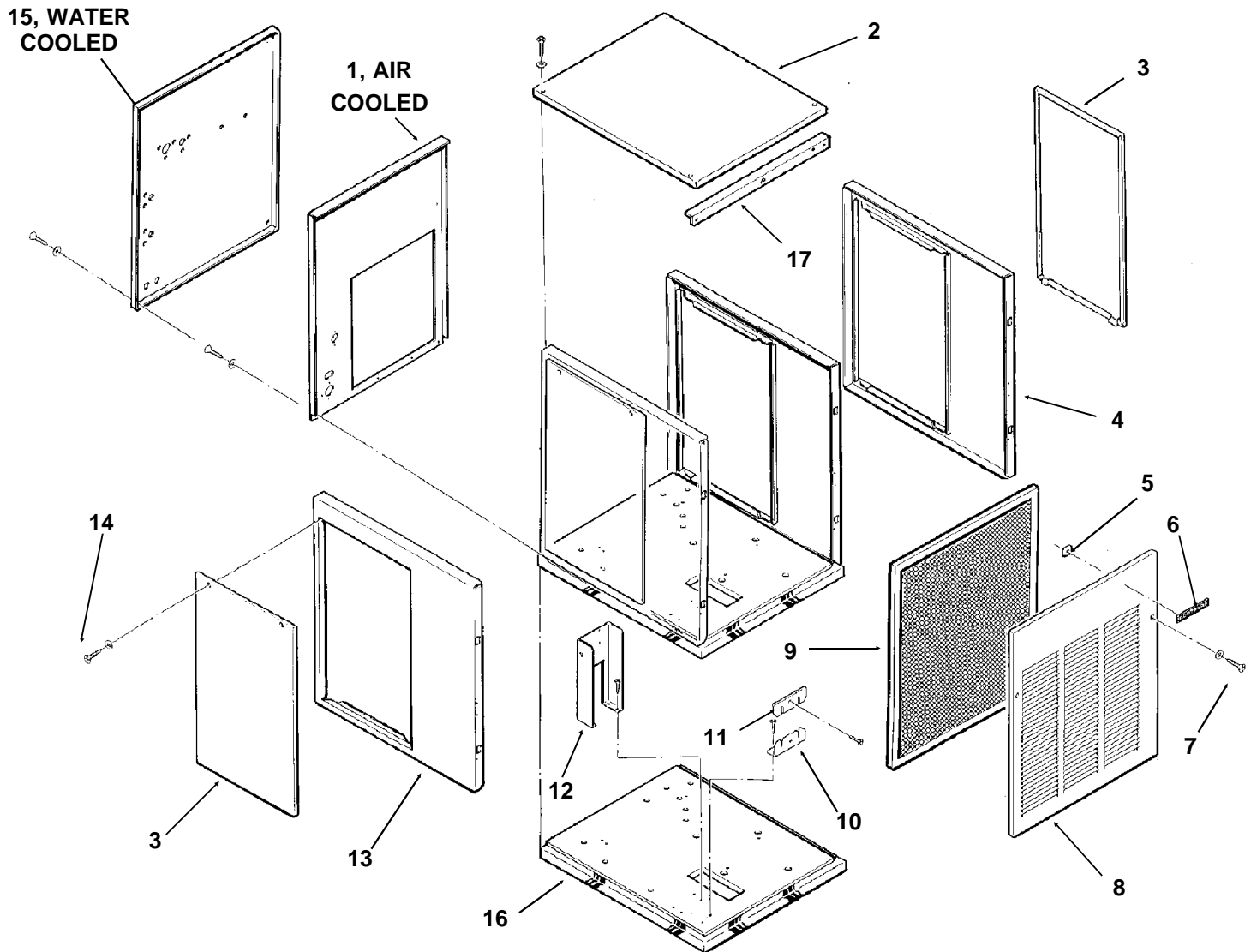
Caution: This model ice maker has been manufactured in two voltages, for electrical components, check to be certain that the part is the correct voltage for the machine.

TABLE OF CONTENTS

Cabinet.....	2
Air Cooled Refrigeration	3
Water Cooled Refrigeration	4
Water System	5
Gearmotor	6
Evaporator.....	7
Control Box	8
Wiring Diagrams	9
Product Update	12

NM650 SERVICE PARTS

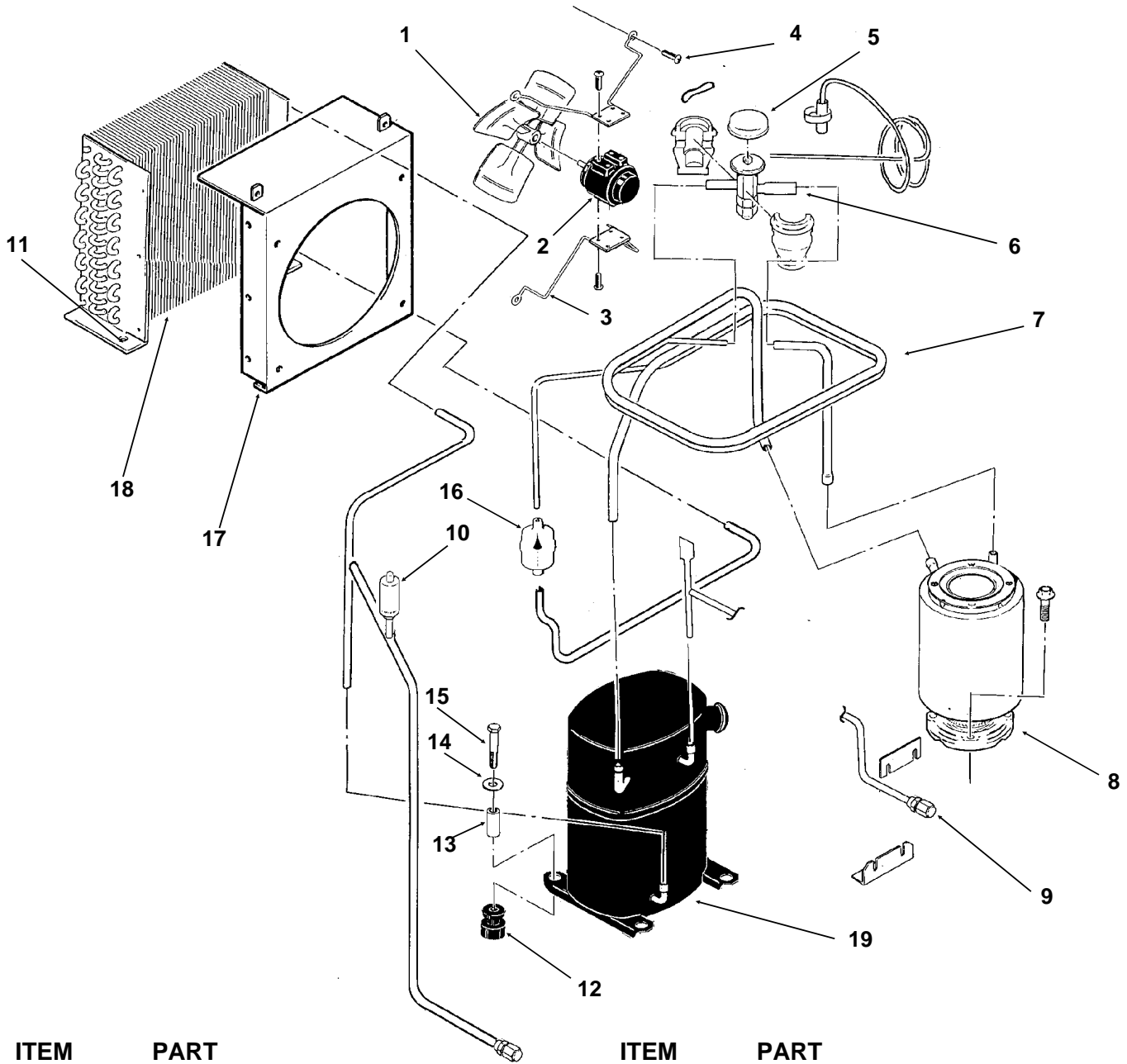
Cabinet Assembly



ITEM NUMBER	PART NUMBER	DESCRIPTION	ITEM NUMBER	PART NUMBER	DESCRIPTION
1	A34544-001	Back Panel, Air Cooled	9	02-2976-01	Air Filter
2	A33256-001	Top Panel, Painted	10	A31462-001	Tube Bracket
	A33256-002	Top Panel, S.S.	11	A31461-001	Tube Bracket
3	A34038-001	Service Panel, Painted	12	A34039-001	Control Box Support
	A34038-002	Service Panel, S.S.	13	A32435-001	Left Side Panel, Painted
4	A33292-001	Right Side Panel, Painted		A32435-002	Left Side Panel, S.S.
	A33292-002	Right Side Panel, S.S.	14	03-1404-12	Screw
5	03-0271-00	Speed Clip	15	A33252-001	Rear Panel, Water Cooled Painted Only
6	15-0711-01	Emblem			
7	03-1419-08	Screw			
8	A33255-001	Front Panel, Painted	16.	A34042-001	Base
	A33255-002	Front Panel, S.S.	17	A34348-001	Front Brace, Air Cooled

NM650 SERVICE PARTS

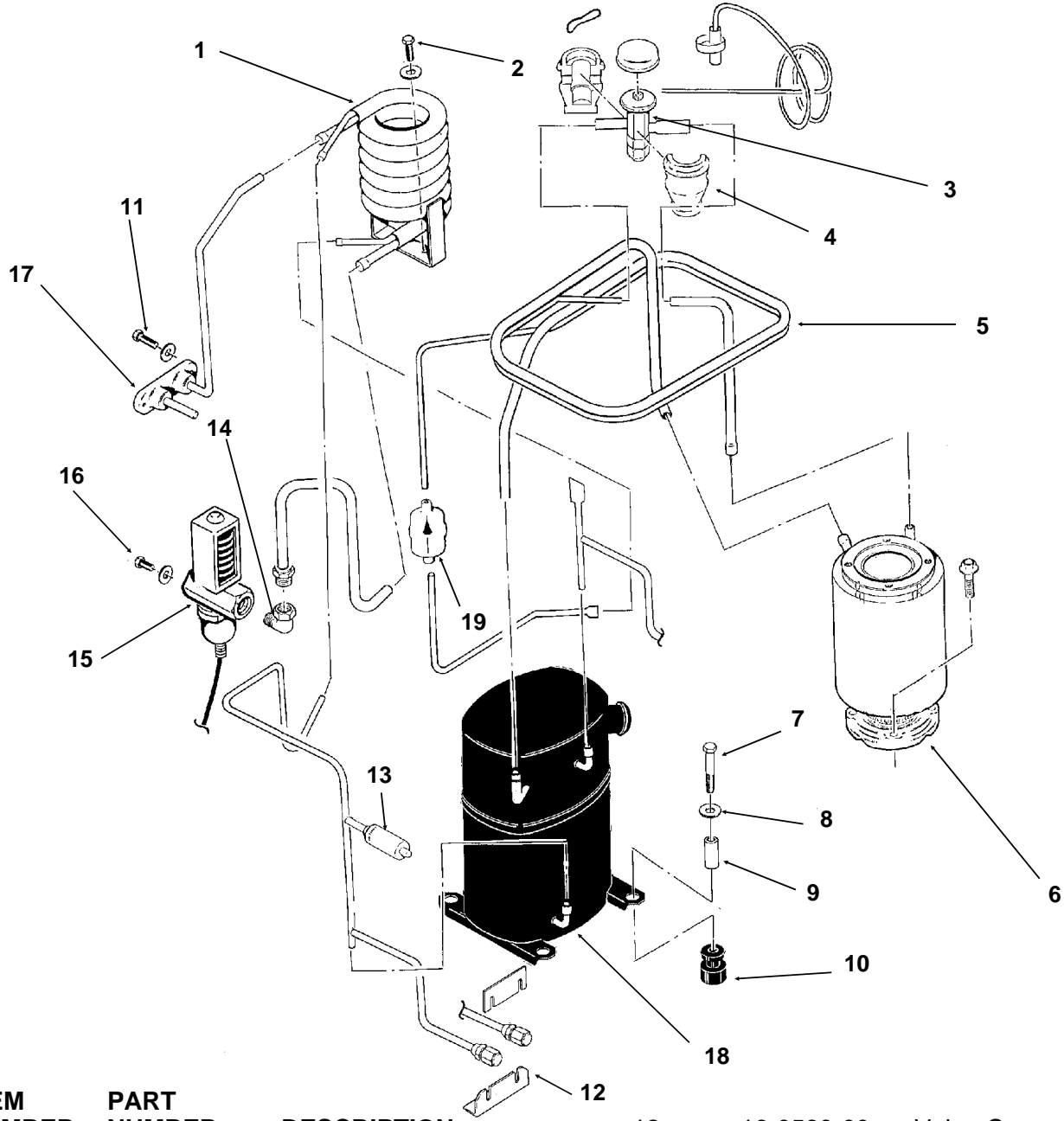
Air Cooled Refrigeration



ITEM NUMBER	PART NUMBER	DESCRIPTION	ITEM NUMBER	PART NUMBER	DESCRIPTION
1	18-3815-01	Fan Blade	12	18-2200-28	Grommet
2	12-1576-02	Fan Motor 208-230 v	13	18-2200-27	Sleeve
	12-1576-01	Fan Motor 115 v	14	03-1407-07	Washer
3	02-2378-01	Fan Bracket	15	03-1405-20	Cap Screw
4	03-1531-01	Screw	16	02-3319-02	Dryer
5	A32961-020	Insulation Kit (3 piece)	17	A34618-001	Fan Shroud
6	16-0780-21	Thermo Expansion Valve		A34617-001	Fan shroud cover
7	A34536-001	Suction Line	18	18-7800-01	Condenser
8	A33194-020	Evaporator	19	18-6100-02	Compressor 208-230 v
9	16-0560-00	Valve Core		18-6100-51	Overload for 208-230 v
	16-0563-00	Valve Cap		18-6100-01	Compressor 115 v
10	11-0446-22	Hi Pressure Cut Out		18-6100-50	Overload for 115 v
11	03-1645-01	Screw			

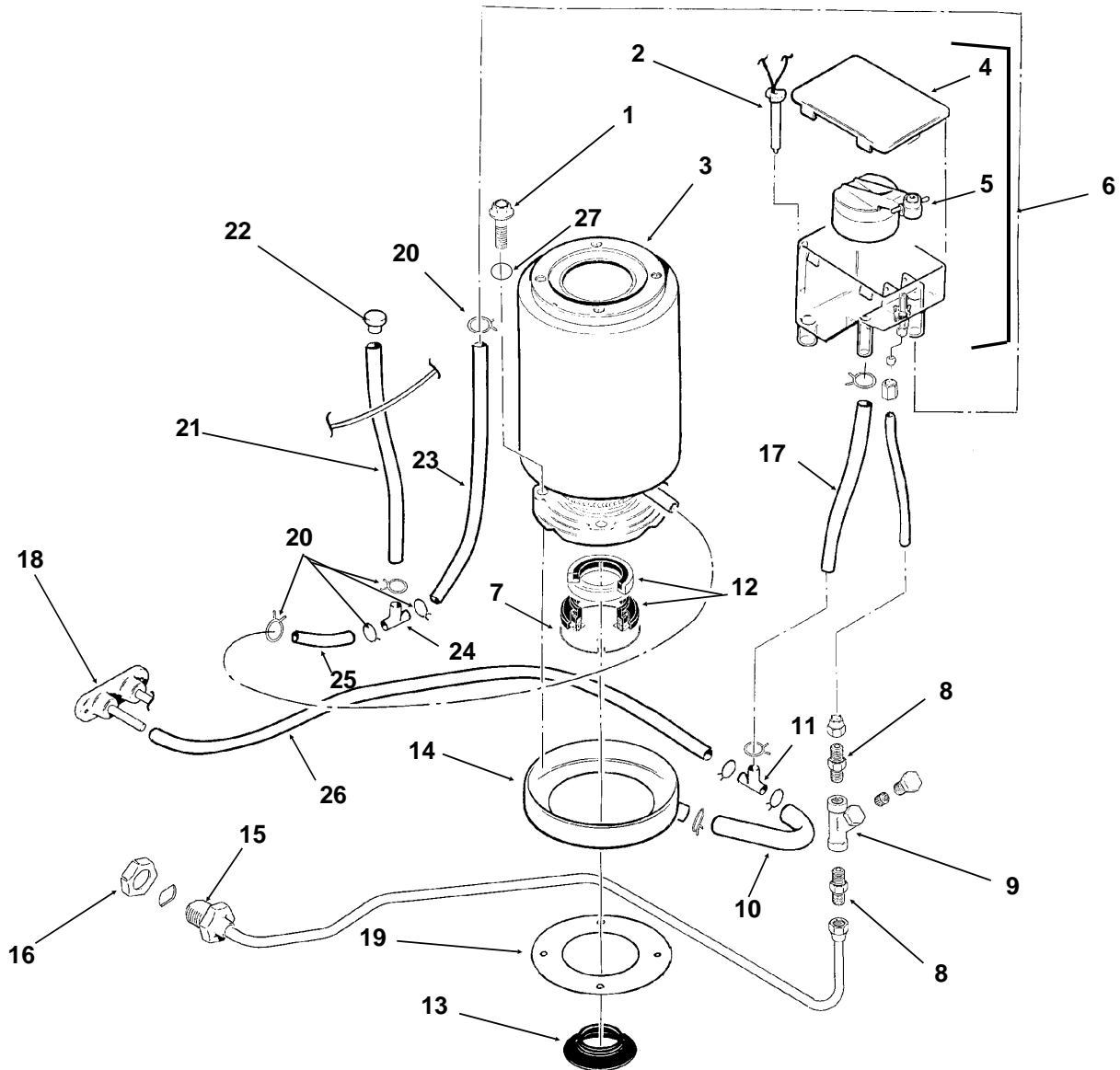
NM650 SERVICE PARTS

Water Cooled Refrigeration



ITEM NUMBER	PART NUMBER	DESCRIPTION
1	18-3306-25	Condenser
2	03-1645-01	Screw
3	16-0780-21	Thermo Expansion Valve
4	A32961-020	Insulation Kit (3 piece)
5	A34536-001	Suction Line
6	A33194-020	Evaporator
7	03-1405-20	Cap Screw
8	03-1407-07	Washer
9	18-2200-27	Sleeve
10	18-2200-28	Grommet
11	03-1645-01	Screw
12	16-0560-00	Valve Core
13	11-0446-22	Hi Pressure Cut Out
14	16-0401-02	Elbow
15	11-0424-01	Water Reg. Valve
16	03-1403-14	Screw
17	A34543-001	Drain Assembly
18	18-6100-01	Compressor 115/60/1
	18-6100-50	Overload 115v
	18-6200-02	Compressor
	208-230/60/1	
	18-6100-51	Overload 208-220v
19	02-3319-02	Dryer

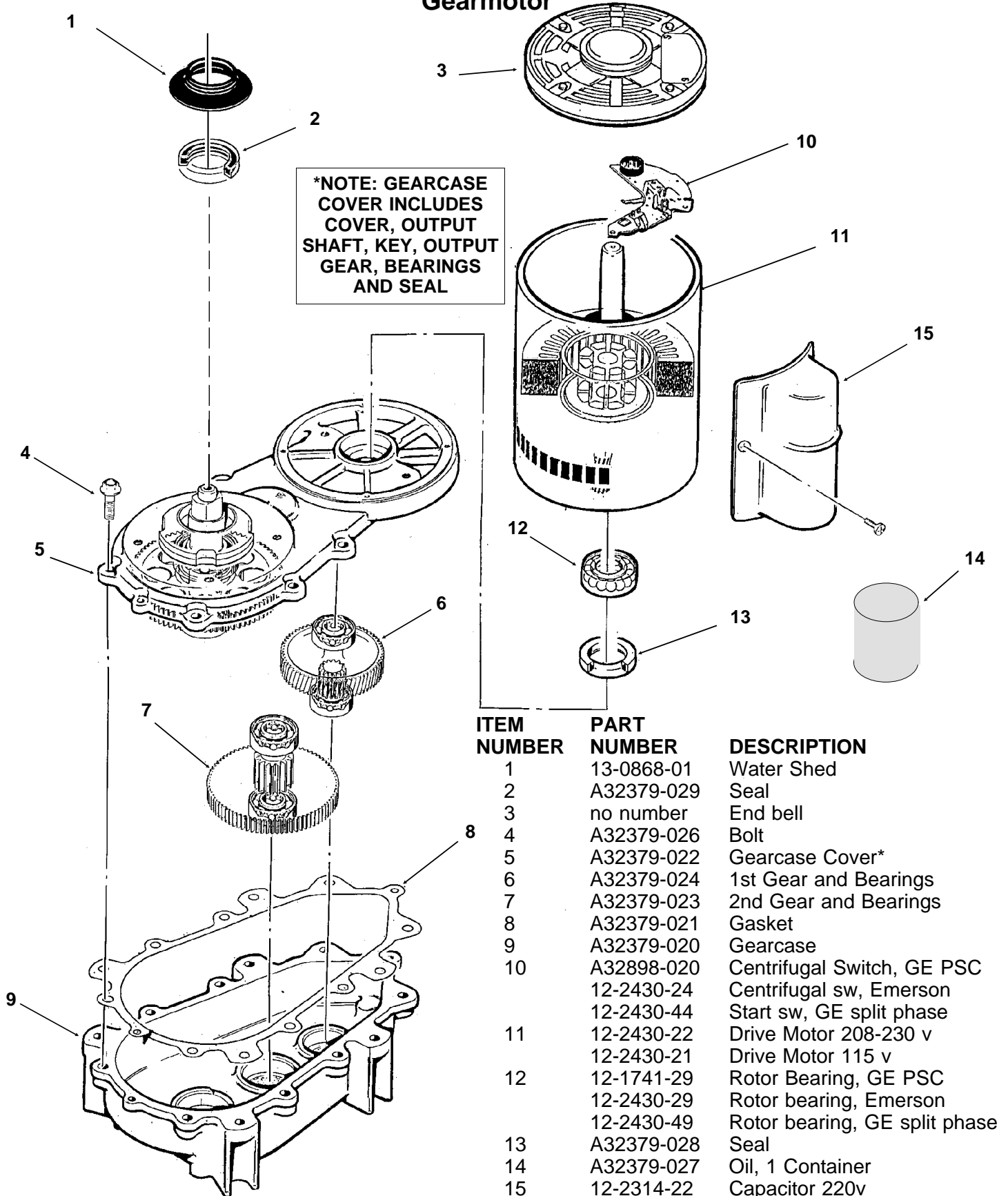
NM650 SERVICE PARTS Water System



ITEM NUMBER	PART NUMBER	DESCRIPTION	ITEM NUMBER	PART NUMBER	DESCRIPTION
1	03-1420-03	Cap Screw	14	A32050-001	Drip Pan
2	A33101-021	Water Level Sensor	15	A27318-001	Water Inlet Fitting
3	A33194-020	Evaporator	16	03-1394-01	Pal Nut
4	02-2936-01	Res. Cover	17	13-0079-03	Res. Overflow, 8" req.
5	A32907-001	Float Assembly with pin housing seal, rubber seal, insert & float	18	A32282-004	Drain Casting, air cooled
6	A32929-020	Reservoir Assy Complete	19	13-0704-00	Gasket
7	A32777-001	Retaining Ring for seal	20	02-2814-08	Clamps
8	16-0791-01	Half Union	21	13-0674-06	Evap. Drain, 14" req.
9	16-0162-00	Strainer	22	A33205-001	Plug
10	13-0079-03	Tube, 3.2" req.	23	13-0674-06	Evap. Inlet Tube, 5" req.
11	16-0670-02	Tee	24	16-0670-01	Tee
12	02-0929-23	Water Seal	25	A33203-001	Tube, Preformed
13	13-0868-01	Water Shed	26	13-0079-03	Drain Tube, 24" req.
			27.	03-1417-13	Lockwasher

NM650 SERVICE PARTS

Gearmotor

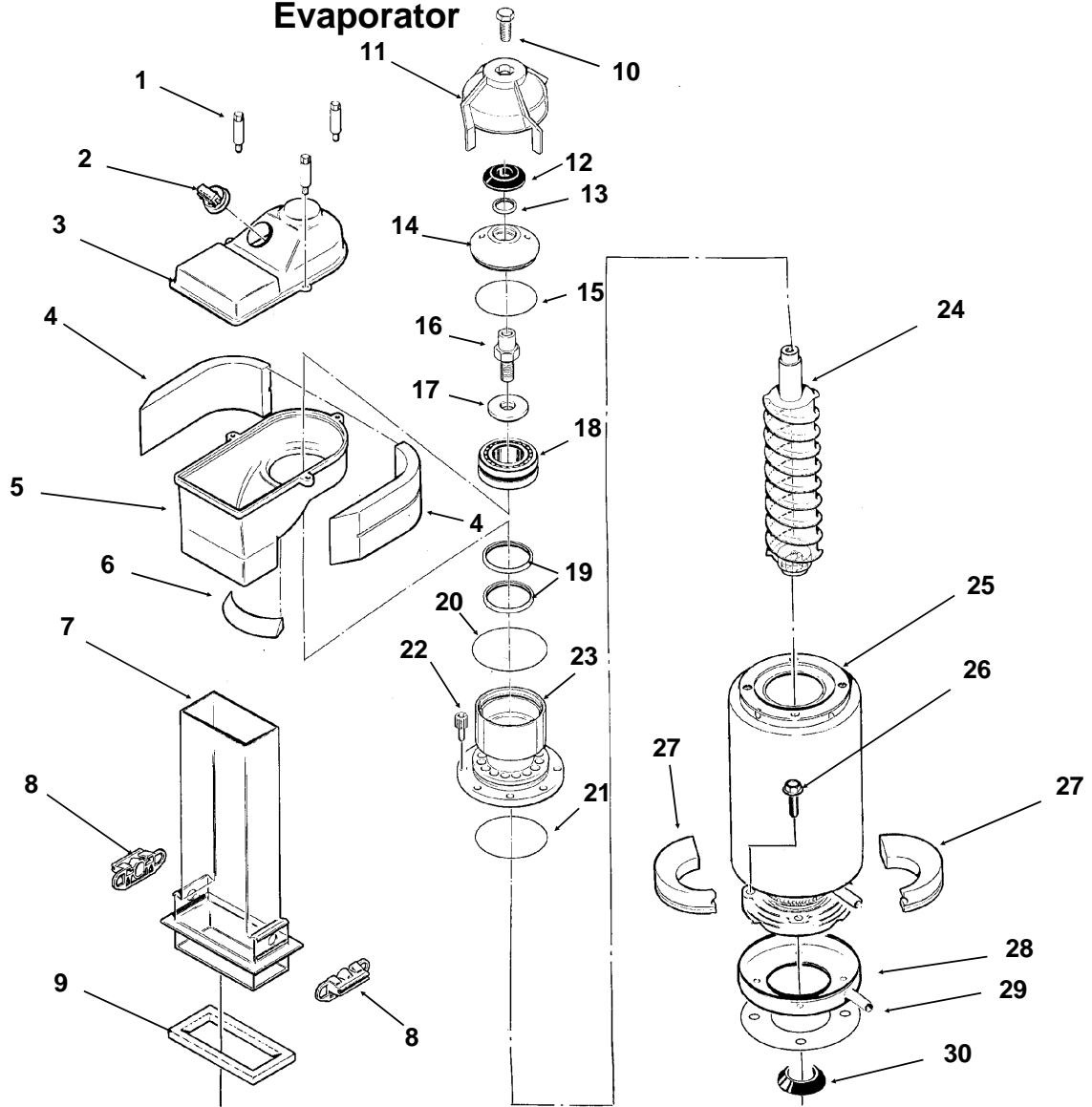


***NOTE: GEARCASE COVER INCLUDES COVER, OUTPUT SHAFT, KEY, OUTPUT GEAR, BEARINGS AND SEAL**

ITEM NUMBER	PART NUMBER	DESCRIPTION
1	13-0868-01	Water Shed
2	A32379-029	Seal
3	no number	End bell
4	A32379-026	Bolt
5	A32379-022	Gearcase Cover*
6	A32379-024	1st Gear and Bearings
7	A32379-023	2nd Gear and Bearings
8	A32379-021	Gasket
9	A32379-020	Gearcase
10	A32898-020	Centrifugal Switch, GE PSC
	12-2430-24	Centrifugal sw, Emerson
	12-2430-44	Start sw, GE split phase
11	12-2430-22	Drive Motor 208-230 v
	12-2430-21	Drive Motor 115 v
12	12-1741-29	Rotor Bearing, GE PSC
	12-2430-29	Rotor bearing, Emerson
	12-2430-49	Rotor bearing, GE split phase
13	A32379-028	Seal
14	A32379-027	Oil, 1 Container
15	12-2314-22	Capacitor 220v
16	A33220-022	Complete Assy 208-230 v
	A33220-021	Complete Assy 115 v
	A33220-030	Gears, oil & cases. No motor.

NM650 SERVICE PARTS

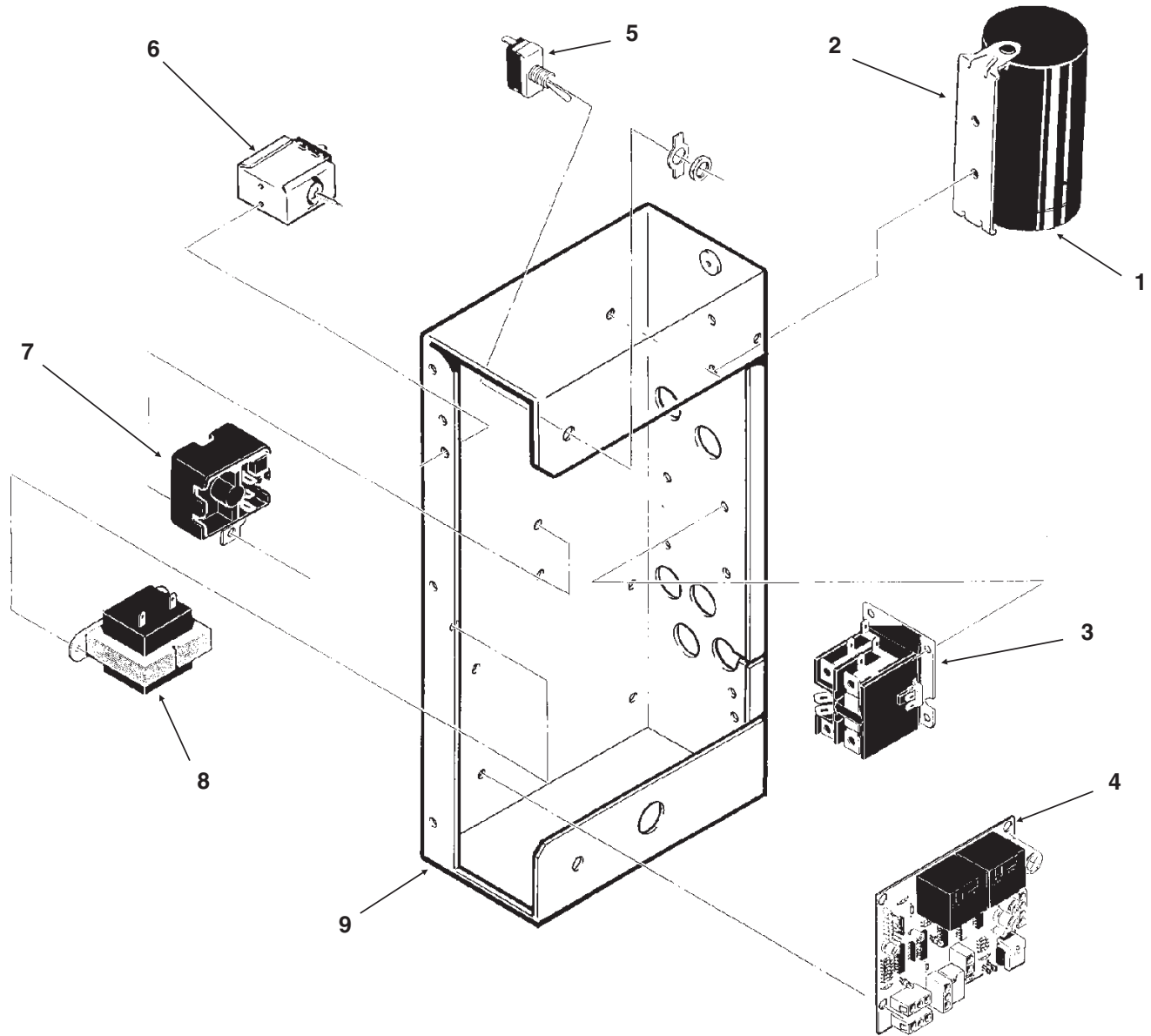
Evaporator



ITEM NUMBER	PART NUMBER	DESCRIPTION
1.	02-2933-01	Hex Stud
2.	A32891-020	Switch & housing assy
3.	02-2930-01	Ice Chute Cover
4.	A32963-001	Insulation Top (half)
5.	02-2926-01	Ice Chute Body
6.	A33102-001	Insulation Collar Inside
	A33210-001	Rubber Band
7.	02-2929-03	Ice Chute Lower
8.	A37708-021	Bin Controls Assy. (set of 2)
9.	A32930-001	Chute Gasket
10.	03-1405-52	Hex Cap Screw
11.	02-3001-01	Ice Sweep
12.	13-0871-01	Water Shed
13.	02-2978-01	Lip Seal
14.	02-3128-20	Breaker Cover
15.	13-0617-54	O-Ring
16.	08-0660-01	Auger Stud
17.	part of item 16	Thrust Washer
18.	A34559-020	Bearing
19.	02-2977-01	Lip Seal
20.	13-0617-52	O-Ring
21.	13-0617-45	O-Ring
22.	03-1544-08	Soc. Head Screw
23.	A32900-020	Breaker (includes 18 & 19)
24.	A38071-021	Auger
25.	A33194-020	Evaporator
26.	03-1405-41	Cap Screw
27.	A32962-001	Insulation Bot. (half)
	A32962-002	Insulation half
28.	A32050-001	Drip Pan
29.	13-0704-00	Drip Pan Gasket
30.	13-0868-01	Water Shed

NM650 SERVICE PARTS

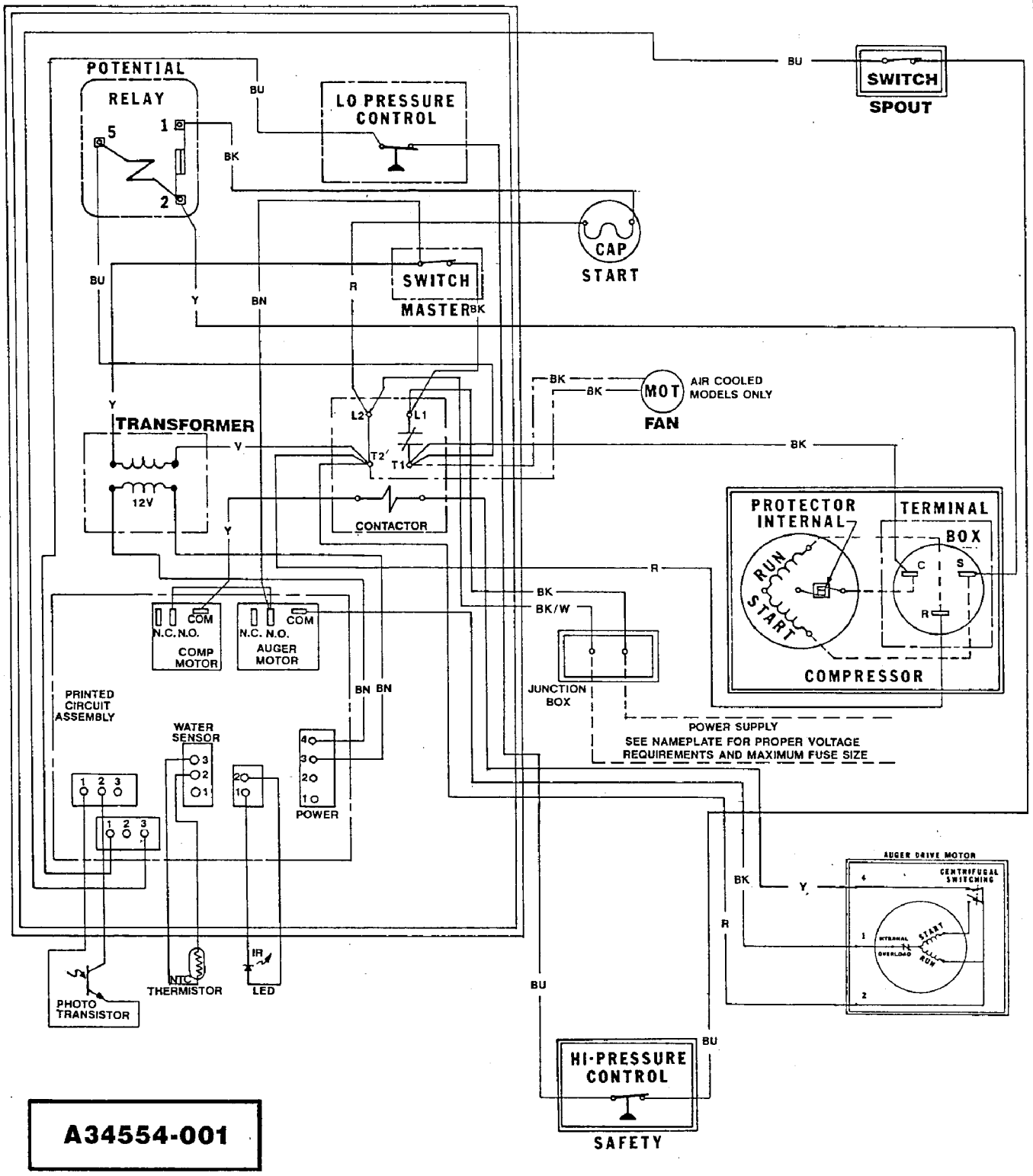
Control Box



ITEM NUMBER	PART NUMBER	DESCRIPTION	ITEM NUMBER	PART NUMBER	DESCRIPTION
1	18-1901-40	Start Cap 208-230 v	7	18-1903-33	Potential Relay 208-230 volt
	18-1901-42	Start Capacitor 115 v		18-1903-44	Potential Relay 115 volt
	18-2200-38	Start Capacitor Cap.			
2.	18-2200-39	Start Capacitor Bracket	8.	12-2285-21	Transformer 115v
	03-1638-04	Screw		12-2285-22	Transformer 220v
	03-1417-15	Lockwasher	9	no number	Control Box
3.	12-2469-02	Contactora 208-230 v	NOT ILLUSTRATED		
	12-2469-03	Contactora 115 v	10.	12-2337-02	3 Pin Plug Assy (Safety Circuit to Circuit Board)
4	A37750-021	Circuit Board	11.	12-2340-01	4 Pin Plug Assy (Transformer to Circuit Board)
5.	12-0426-01	Master Switch	12.	A34055-001	Control Box Cover
6.	11-0447-20	Low Pressure Control			

NM650 SERVICE PARTS

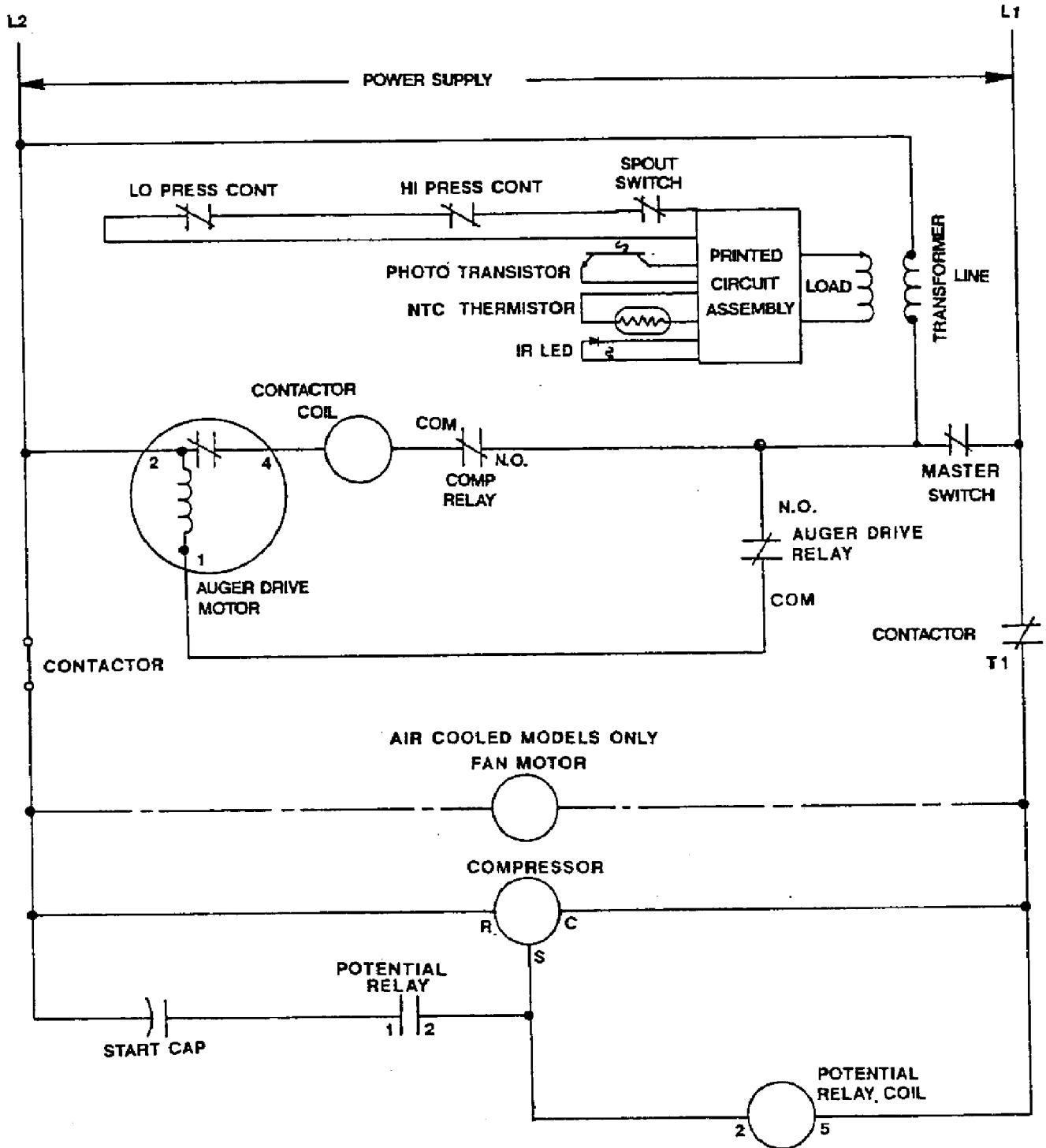
Component Layout Diagram



A34554-001

NM650 SERVICE PARTS

Schematic Diagram



USE COPPER CONDUCTORS ONLY THIS UNIT MUST BE GROUNDED

All Controls Shown in Normal Ice Making Mode.

Note: Dashed lines indicate field wiring which must be installed in accordance with the National Electric Code Using a Minimum of 14 ga. awg. wire.

NM650 SERVICE PARTS ICE CHUTE UPDATE

