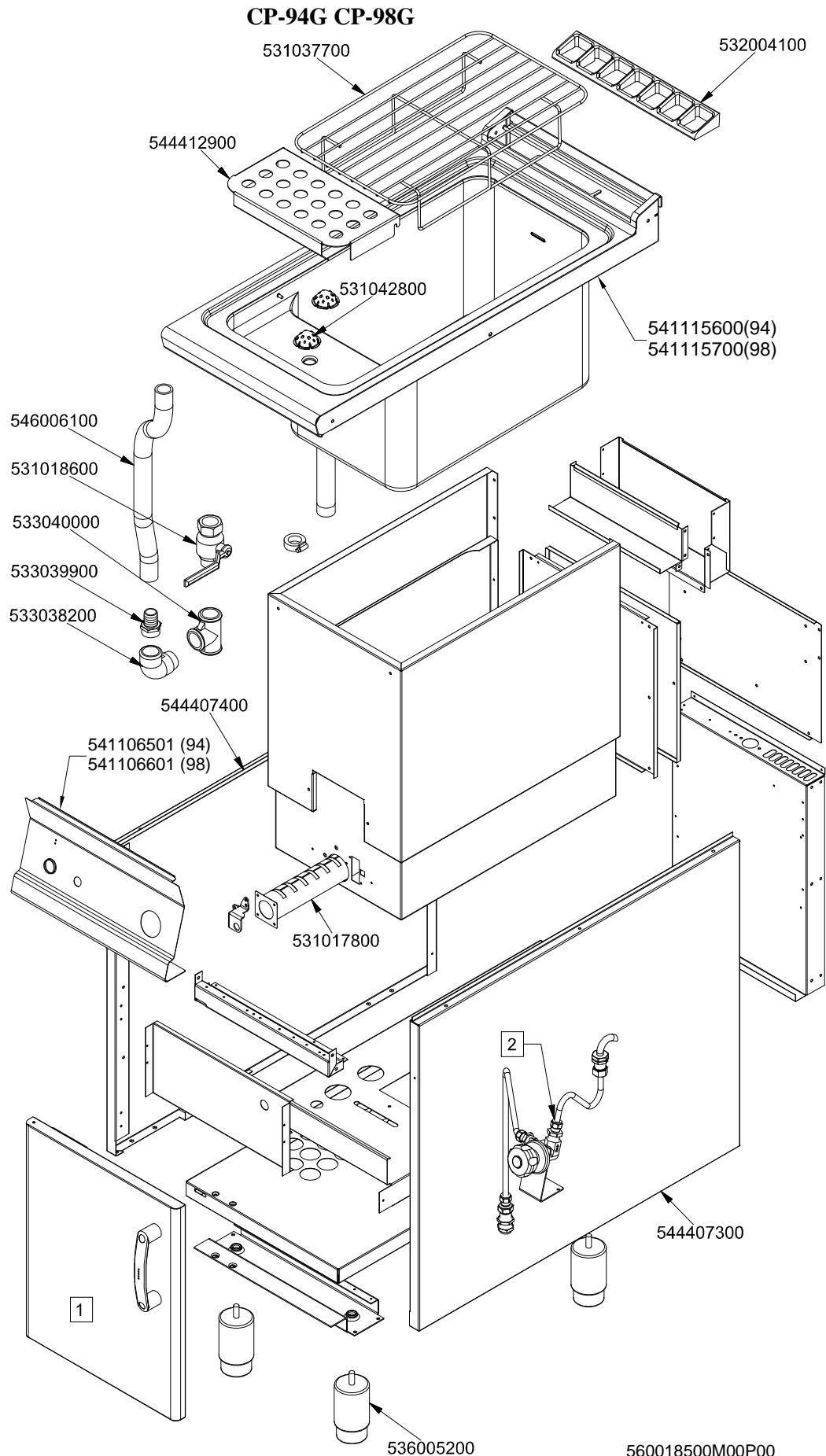


IPERLOTUS 90

GAS / GAS / GAS / GAZ

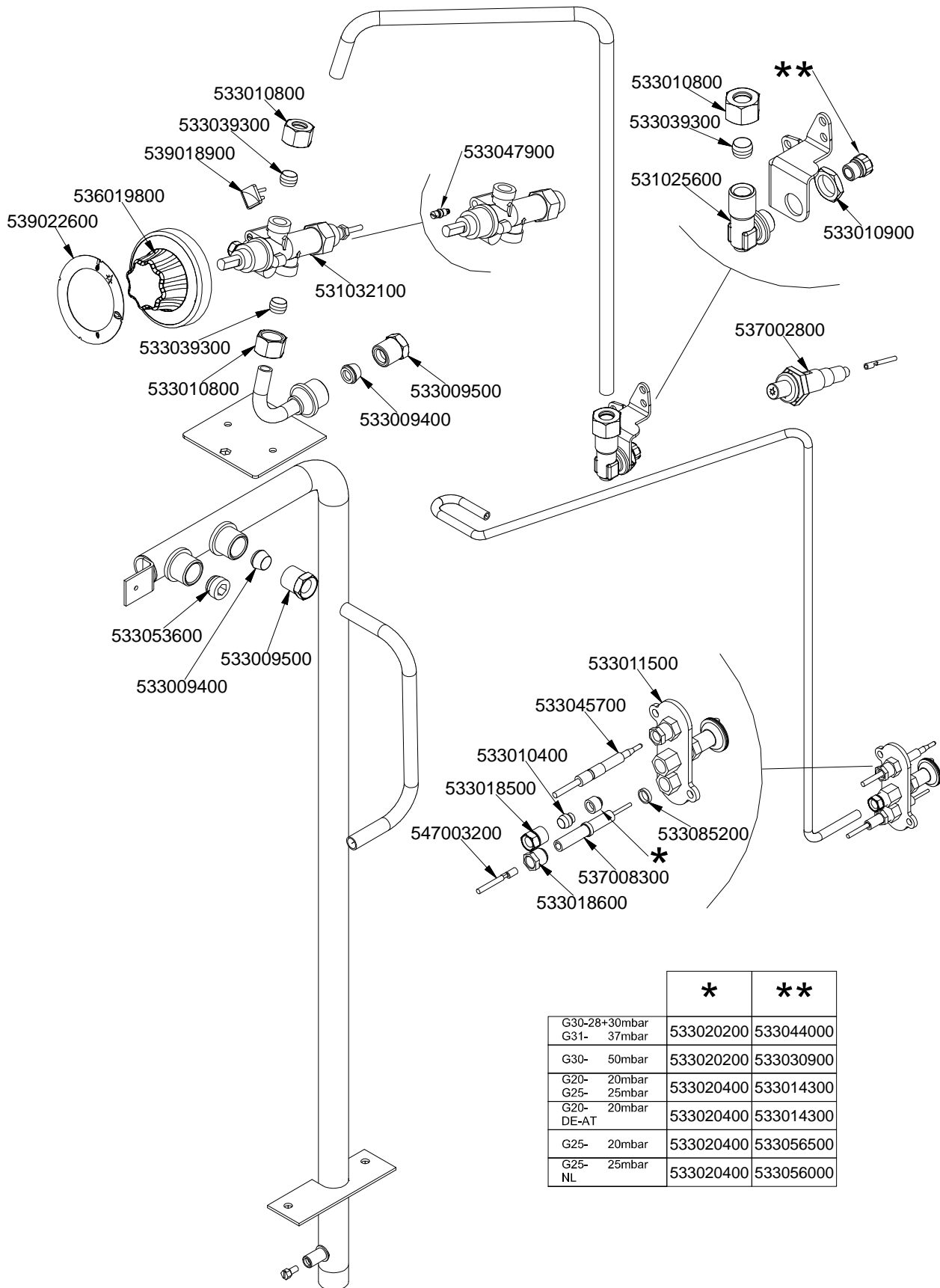
	1	2
Vedi Pagina See Page Siehe Seite Voir Page Ver Página	130	118



IPERLOTUS 90

GAS / GAS / GAS / GAZ

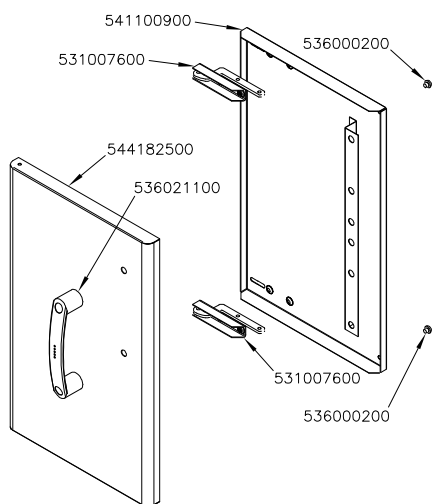
CP-94G CP-98G



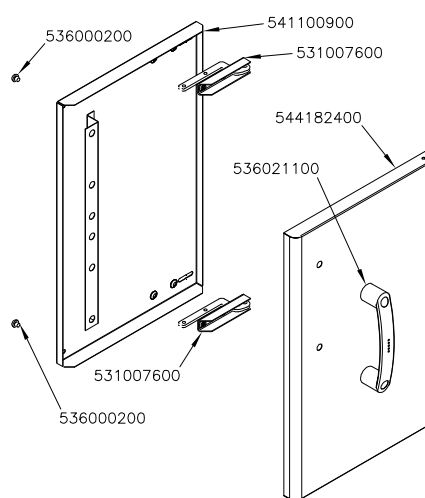
	*	**
G30-28+30mbar G31- 37mbar	533020200	533044000
G30- 50mbar	533020200	533030900
G20- 20mbar G25- 25mbar	533020400	533014300
G20- 20mbar DE-AT	533020400	533014300
G25- 20mbar	533020400	533056500
G25- 25mbar NL	533020400	533056000

560018601M00P00

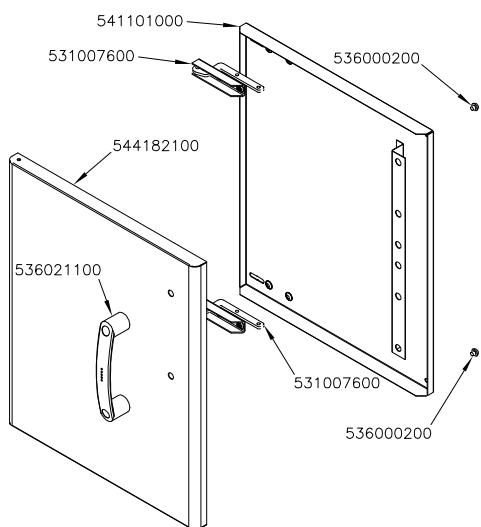
PORTE / DOORS / FLÜGELÜREN / PORTES N°≤0601



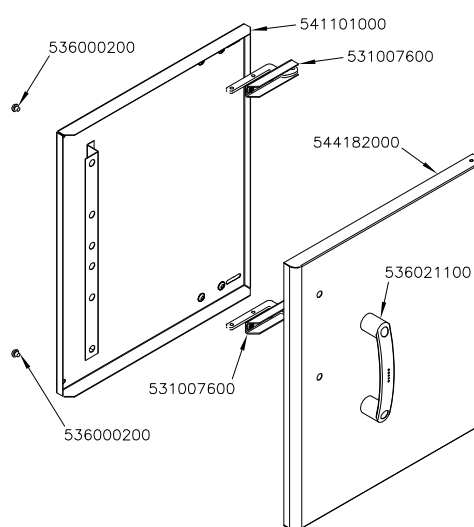
P-73/93 SX



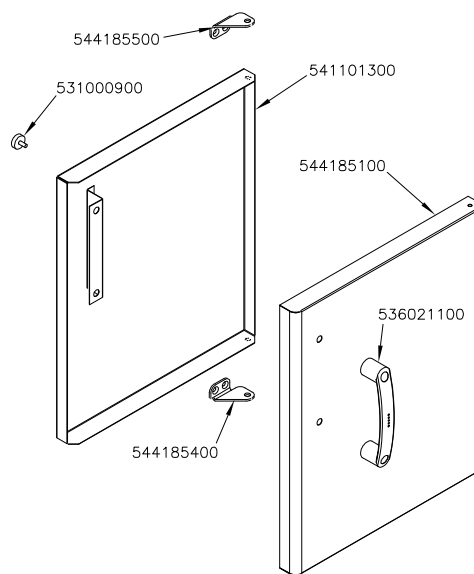
P-73/93 DX



P-74/94 SX



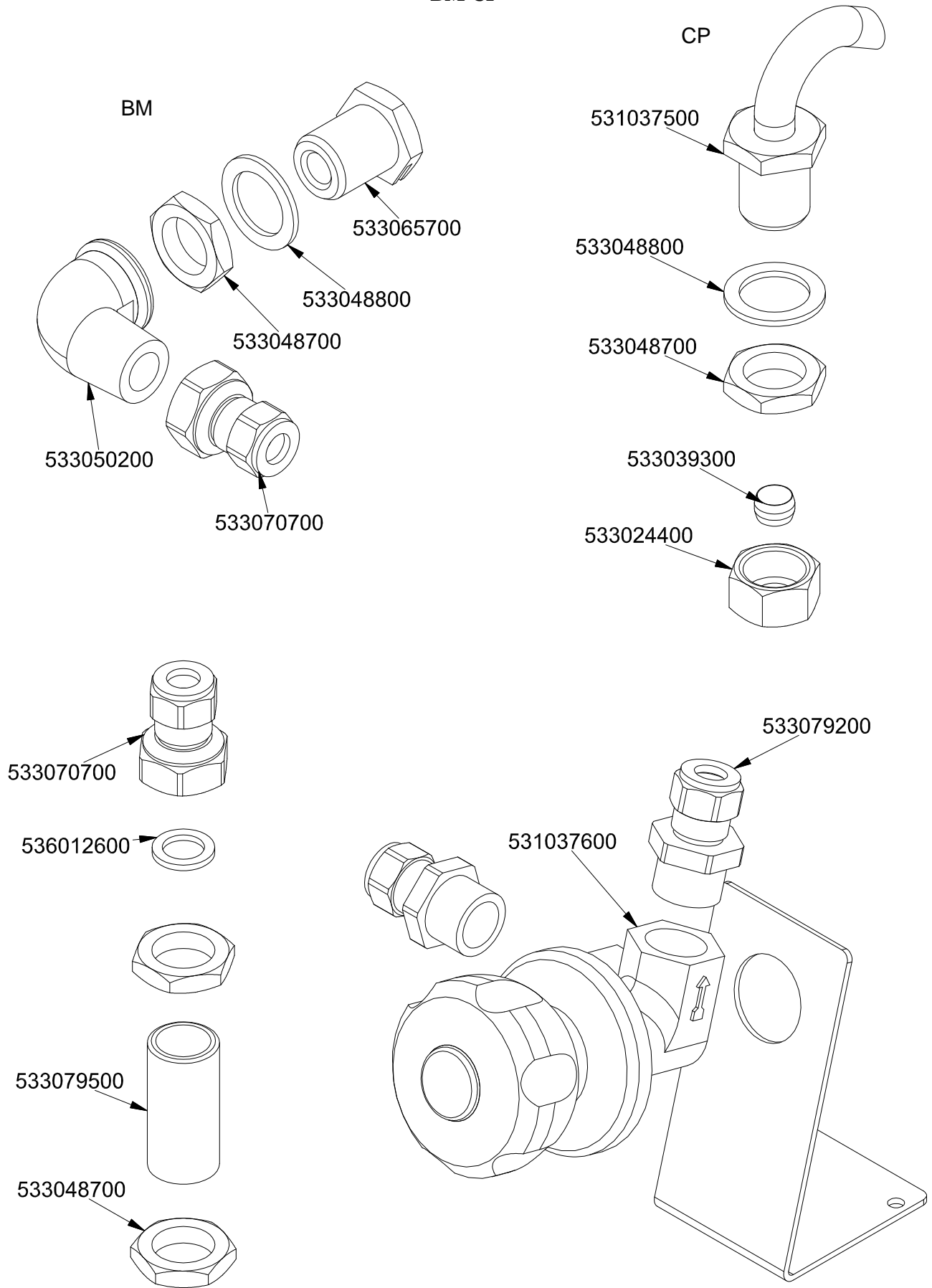
P-74/94 DX



P-74/94 DX CF

560012800M00P00

BM CP



Page	Pos	Code	Description
001		531037700	BASKET SUPPORT GRID CP 90
001		544412900	
001		531042800	SEMISPHERE FILTER
001		546006100	RUBBER TUBE §25INT.*§33EXT.*L=560
001		531018600	BALL VALVE 1"G M-F CPM-62G
001		533040000	1"G F-F-F "T" FITTING
001		533039900	PIPE HOLDER 1" G M D.24
001		533038200	1" G M-F ELBOW FITTING
001		544407400	LEFT SIDE PANEL 70 LINE
001		541106501	CONTROL PANEL CP-74/94G
001		531017800	BURNER CPM-62G POLID.103.1515.0
001		536005200	INOX LEG 2" 120-180 M10
001		544407300	RIGHT SIDE PANEL 90 LINE
001		541115600	UPPER PLATE CP-94G
001		532004100	FLUE GRID L=370 70LINE (RAF)
002		537008300	ROUND PLUG §2,4- LONG ELECTRODE
002		531025600	ELBOW 90° NOZZLE-HOLDER §10 PIPE
002		531032100	GAS COCK 21S P.V.BY-PASS Ø100
002		533009400	BICONE 10S
002		533009500	NIPPLE FOR BICONE 10S
002		533010400	BICONE D.6
002		533010800	TUBE NUT D.10 M16*1,5
002		533010900	NUT M14*1 H.4
002		533011500	PILOT BURNER 2 FLAMES 220
002		533014300	NOZZLE §285 CH12*14
002		533018500	FITTING FOR BICONE D.6 M10*1
002		533018600	PLUG FITTING
002		533020200	PILOT JETS 0160 FOR LPG §30
002		533020400	NOZZLE 0160 (NATURAL GAS) 51
002		533030900	NOZZLE §165 CH12X14 H-CW
002		533039300	BICONE §10
002		533044000	NOZZLE §195 CH12*14 M-CW4
002		533045700	THERMOCOUPLE M9*1 500
002		533047900	BY PASS COCK §100 21S
002		533053600	EUROSIT VALVE PLUG
002		533056000	NOZZLE §310 CH12*14
002		533056500	NOZZLE §325 CH12*14
002		533085200	
002		536019800	BLACK KNOB §70 PIN §8*6,5
002		537002800	PIEZOELECTRIC IGNITION M18
002		539018900	INDEX FOR KNOB
002		539022600	GRADUATED STICKER FOR KNOB
002		547003200	HIGH-VOLTAGE CABLE TUBE.§2 L=500
003		541100900	INNER DOOR 73
003		531007600	DOOR HINGE
003		536000200	D.12 H.4 BUMPER
003		544182500	RIGHT DOOR 73
003		536021100	BLACK HANDLE 70LINE + 2RED POINTS
003		531007800	
003		544182400	RIGHT DOOR 73
003		541101000	INNER DOOR 74

Page	Pos	Code	Description
003		544182100	LEFT DOOR 74
003		544182000	RIGHT DOOR 74
003		544185500	UPPER DOOR HINGE FOR COMPARTME CF70
003		531000900	MAGNET §22 KG.3 WITH DISK
003		541101300	RIGHT INNER DOOR 74 CF
003		544185100	RIGHT DOOR 74
003		544185400	LOWER DOOR HINGE FOR COMPARTME CF70
004		531037500	
004		533065700	FITTING FOR WATER INPUT 1/2G
004		533048800	GASKET §30*§21*2 FIBRE
004		533048700	NUT 1/2G ZN
004		533039300	BICONE §10
004		533024400	HEXAGONAL NUT 1/2G TUBE D.10
004		533050200	90° 1/2 M/F ELBOW FITTING
004		533070700	FITTING 1/2G TUBE D10 + O-RING
004		536012600	GASKET §12,5*§18,5*2 1/2G
004		531037600	TAP FOR WATER LOADING 1/2"GF CP 90
004		533079200	FITTING 1/2G F.TUBE D10 + O-RING
004		533079500	