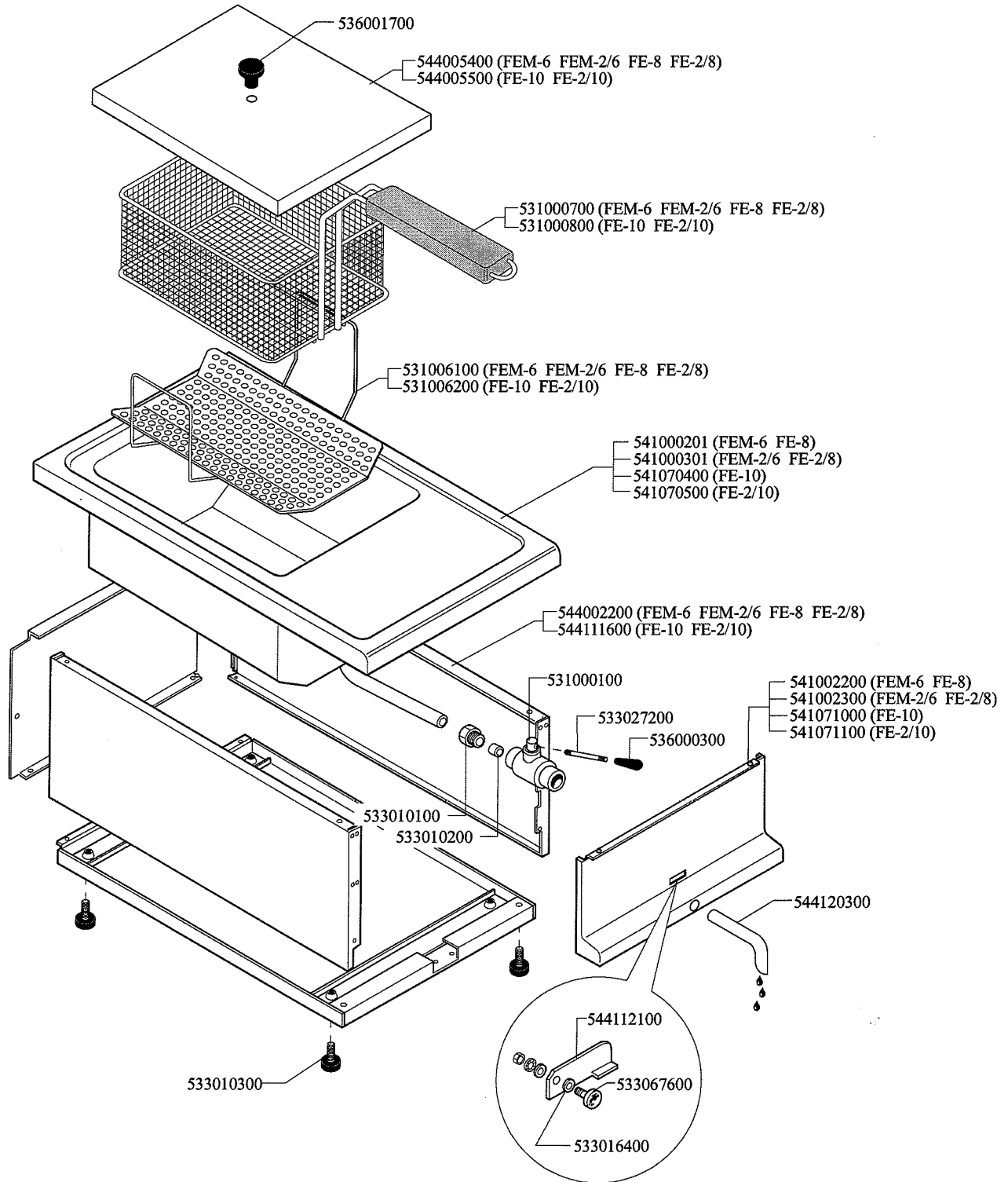
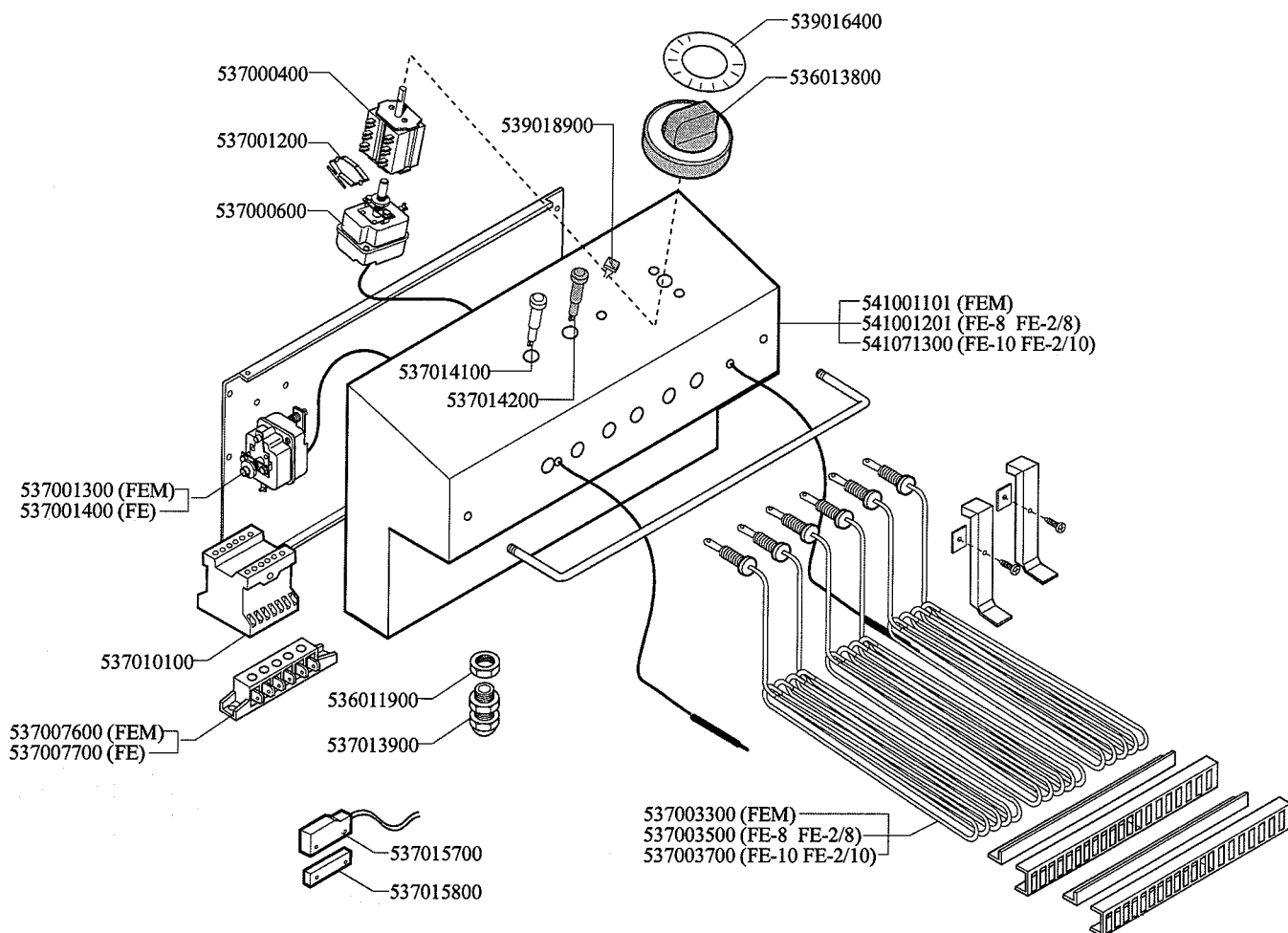


FEM-6 FEM-2/6 FE-8 FE-2/8 FE-10 FE2/10



**FRIGGITRICI ELETTRICHE / ELECTRIC FRYERS / ELEKTRO FRITEUSEN /
FRITEUSES ELECTRIQUES**

FEM-6 FEM-2/6 FE-8 FE-2/8 FE-10 FE2/10



Page	Pos	Code	Description
001		536001700	GRIP D.25*19*M6
001		544005400	TANK LID FQ-1/61E,CP-1/61E
001		531000700	FRYER BASKET FE-6/8
001		531006100	TANK FILTER FE-6/8
001		541000301	UPPER PLATE FE-2/6 - 2/8
001		544002200	SIDE FE-6/8
001		541002300	CONTROL PANEL FE-2/6 - 2/8
001		544120300	DRAIN PIPE 22 FOR COCK 3/4"G
001		533010300	ADJUSTABLE FOOT M10*20 D.23
001		531000100	DRAIN COCK 3/4"
001		533027200	HANDLE FOR DRAIN COCK 3/4"G FG
001		536000300	FIXED GRIP D.15*25*M6
001		533010100	3/4 D. 18 PIPE UNION
001		533010200	BICONE 18S
001		544112100	COCK FIXING BRACKET FG-10
001		533067600	PIN FOR GRADUATED COCK BUSHING
001		533016400	COCK BUSHING
002		537000400	COMMUTATOR 1POS.SINGLEPHASE S49 16A
002		537001200	FIXING BRACKET FOR THERMOSTAT/COMM.
002		537000600	THERMOSTAT 90-180°C SINGLEPHASE
002		539018900	INDEX FOR KNOB
002		539016400	ADHESIVE GRADUATED DISC FOR KNOB
002		536013800	KNOB D.70 BLACK 6*5 WITH SPRING
002		541001201	CONTROL BOX FE-8
002		537014100	WHITE WARNING LIGHT 250V
002		537014200	GREEN WARNING LIGHT 250V
002		537001400	SAFETY THERMOSTAT 235°C THREEPHASE
002		537010100	REMOTE CONTROL SWITCH 20A 230V
002		536011900	HEXAGONAL LOCK NUT PG-16
002		537013900	CABLE SECURING CLAMP PG-16
002		537007700	TERMINAL BLOCK THREEPHASE 40A
002		537015700	MAGNETIC SENSOR (SWITCH)
002		537015800	MAGNETIC UNIT FOR SENSOR
002		537003500	HEATING EL.W1800 V230 FOR FRYER