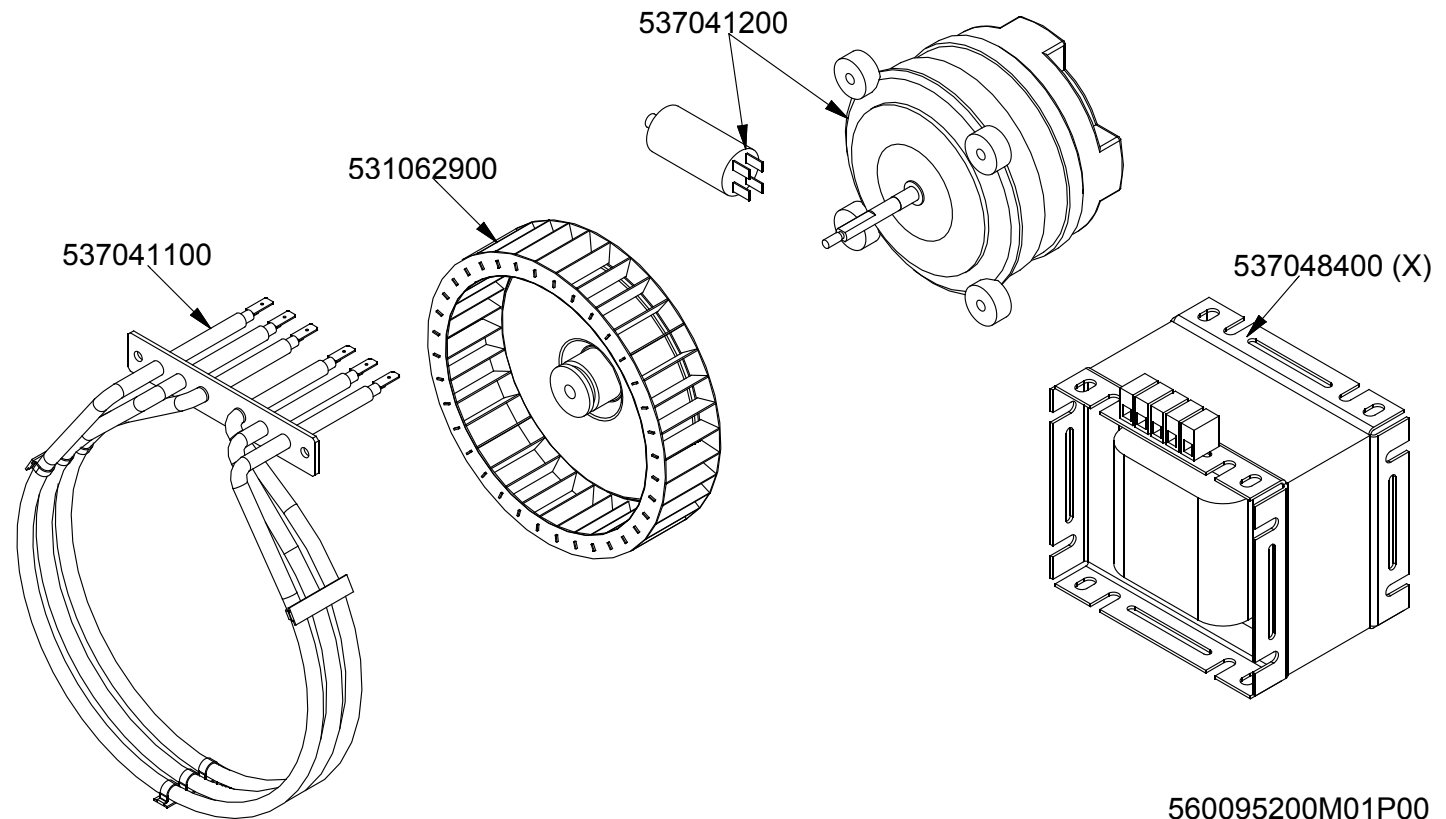
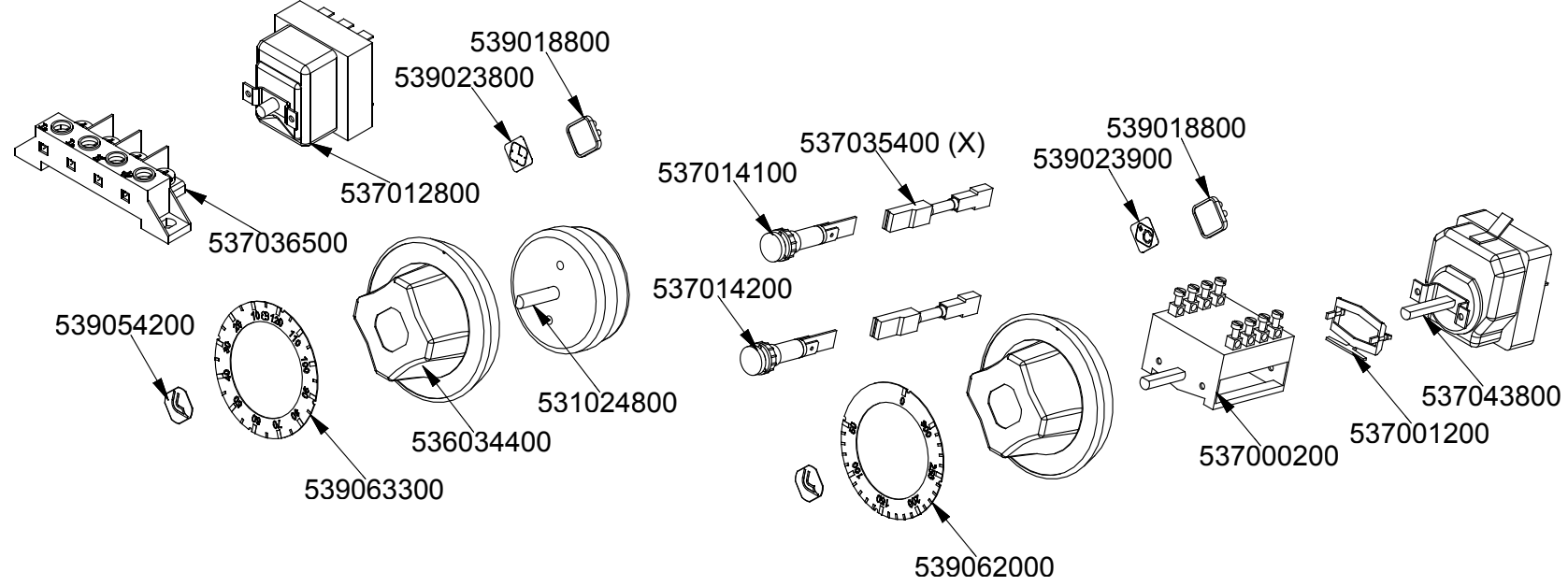


560107100M00P00



Page	Pos	Code	Description
001		544694500	
001		533037600	LOCK SPRING FOR BULB
001		544443700	
001		536036600	OVEN GASKET GN 1/1
001		544443800	55 ELECRC OVEN BOTTOM GN1/1
001		531067400	PROTECTION GRID FOR FAN OVEN*S70
001		536005200	INOX LEG 2" 120-180 M10
001		544694400	
001		544689600	CONTROL PANEL MFV-7 8ET
001		531015900	ADJUSTABLE LEG 2"
001		531067900	LHD GRIDS HOLDER FOR MFV-OVEN S70
001		531006701	MAXI OVEN GRID FOR S60/65
001		544689500	ELECRC OVEN BOTTOM MFV-7 8ET
001		531067800	RHD GRIDS HOLDER FOR MFV-OVEN S70
001		541291300	
001		531022700	RIGHT OVEN DOOR HINGE 70LINE
001		533094400	S/S OVEN DOOR HANDLE FOR 60T-LINE
001		544689800	OVEN DOOR GN1/1 S.70 MFV-78ET
001		531022800	LEFT OVEN DOOR HINGE S.70
001		531022900	HINGE DOOR WHEEL HOLDER S.70
002		539018800	BLANK INDEX FOR KNOB
002		539023800	LABEL FOR OVEN TIMER
002		537012800	SAFETY THERMOSTAT 420°C THREEPHASE
002		537036500	TERMINAL BLOCK 4POLES 40A SCREW-SCR
002		539054200	STAMP Ø20,5 CR."L" LOTUS R.
002		539063300	ADESIVE DISK FOR TYMER GREY
002		536034400	KNOB §77 4P. §06*4,6 C/M
002		531024800	TIMER 120'- 360°
002		537014200	GREEN WARNING LIGHT 250V
002		537014100	WHITE WARNING LIGHT 250V
002		537035400	HEATING ELEMENT 00003W 330KOHM W/F
002		539023900	SIGN PLATE FOR OVEN TEMPERATURE
002		537043800	THERMOSTAT 48/300°C THREEPHASE
002		537001200	FIXING BRACKET FOR THERMOSTAT/COMM.
002		537000200	COMMUTATOR 1 POS. 3PHASE S.49 16A
002		539062000	ADESIVE DISK THERMOSTAT OVEN S70
002		537041200	S70 MOTORFAN
002		531062900	OVEN FAN Ø180 S.70
002		537041100	HEATING ELEMENT 5200W 230V3 OVEN
002		537048400	TRANSFORMER 400V/440V-230V 200VA