



## Kochgeräte Grillplatten Serie 700

Artikel-Nr. 133004, 133005, 133006, 133016, 133017, 133018, 133019,  
133020, 133021  
(418031-131250, -136250, -131451, -531250, -536250, -532250, -531451, -  
532451, -534451)

---

**Explosionszeichnung**

---

## SPARE PARTS CATALOGUE

### Introduction:

This catalog enables to recognize our appliances' main spare parts reading the single exploded views.

### How to look up in our catalogue :

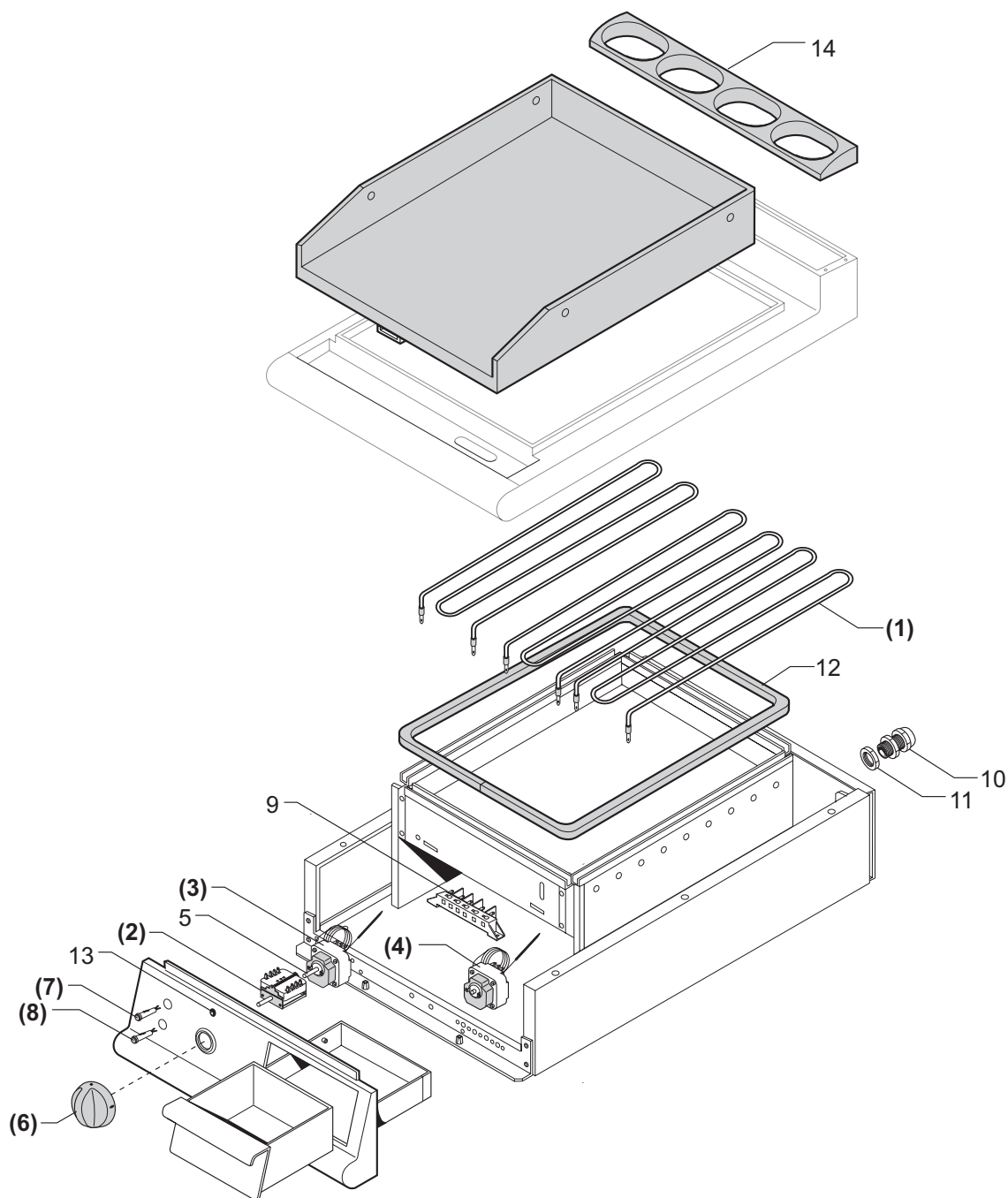
Hereunder we describe the correct method to look up in our catalogue, in order to locate the desired spare part in a quicker and more precise way.

**For Example:** You need the component's code-number of a gasrange with burners 1/1M.

- 1) Find the appliance's model and serial number on the rating plate.  
(The rating plates are positioned in the internal side of the control panel).
- 2) Search for the belonging family in the index (BCPxxx-(0B)) . (f.ex. Gasrange with burners - top 1/1M).
- 3) After you have found the corresponding table you verify if the appliance's serial number is subsequent to that one indicated in the table.
- 4) You locate the desired spare part in the drawing on the left, and find the corresponding position in the table on the right.
- 5) Hence you obtain the codenumber and the description of the spare part you need.

### LEGEND:

Position on the EXPLODED VIEW			X => Recommended spare part			
Article's codenr.		Technical description	Quantity x each model		Series	
					1/2M => L=40 cm.	
					1/1M => L=80 cm.	
					1+1/2M => L=120 cm.	
Pos	Codice	Descrizione	700	1/1M		
1	822410081	Medium burner head (Dm.102)		1		
2	822410051	Medium venturi duct (Dm.102)		1		
14	826920140	Pilot burner	x	2		



(.....) RICAMBIO CONSIGLIATO  
 (.....) SUGGESTED SPARE-PARTS

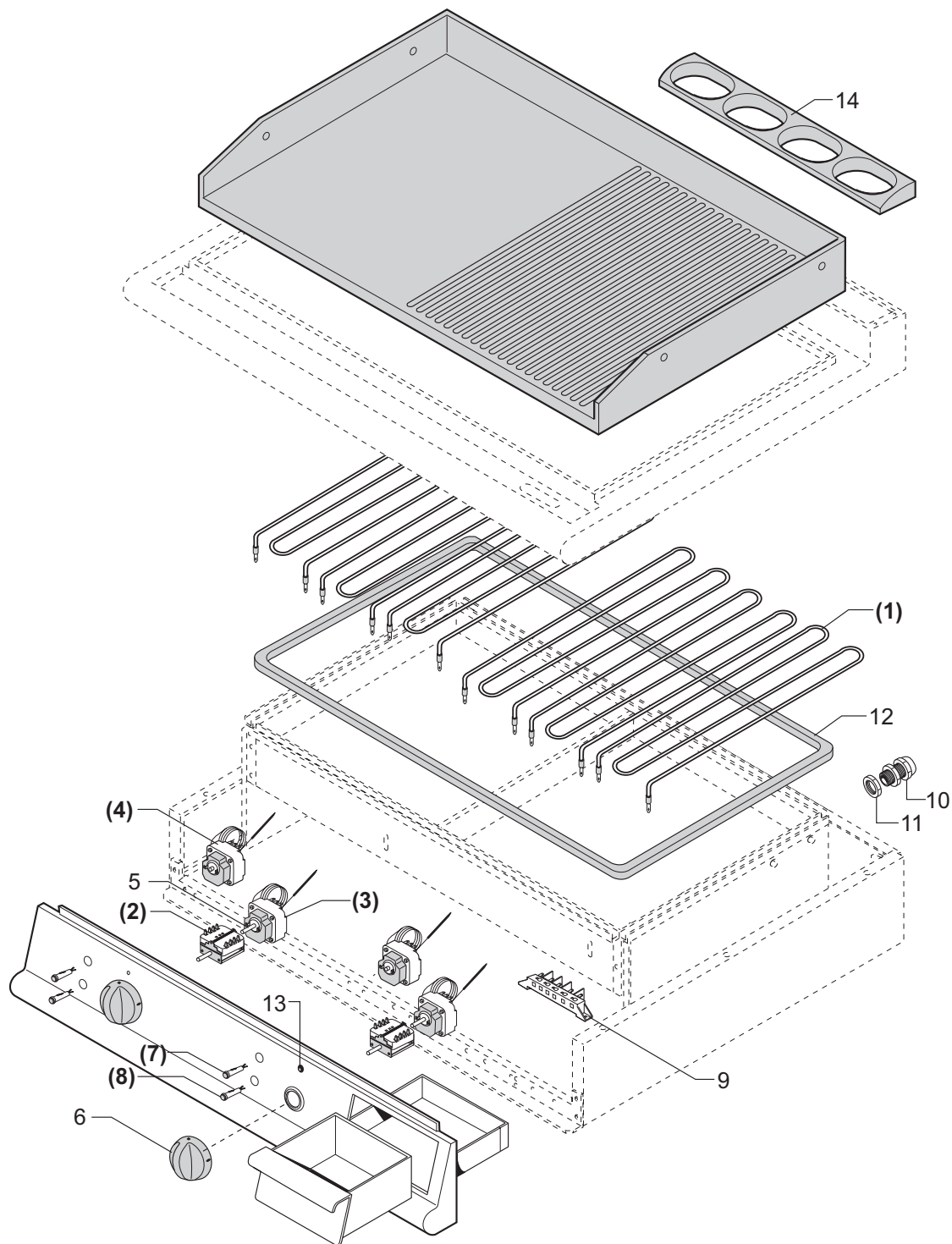
FRY-TOP EL. TOP (Serie 700 - 1/2M)  
 ELECTRIC FRY-TOP (Serie 700 - 1/2M)

**Tav. Rif. BCP0070-(64)**

RIF. REF. Da matricola n°  
 From serial n°

Rev.00 del 16/06/1997





(.....) RICAMBIO CONSIGLIATO  
 (.....) SUGGESTED SPARE-PARTS

FRY-TOP EL. TOP (Serie 700 - 1/1M)  
 ELECTRIC FRY-TOP (Serie 700 - 1/1M)

**Tav. Rif. BCP0070-(66)**

RIF. REF. Da matricola n°  
 From serial n°

Rev.00 del 16/06/1997

# ELECTRIC FRY-TOP

## (1/1M)

cine p

Pos	Code	Denomination	700							
			1/1M							
1	826620070	Fry-Top heating element 700	x	6						
2	826630150	Switch	x	2						
3	826630123	Three-phase thermostat 50-300°C	x	2						
4	826630130	Safety thermostat 360°C	x	2						
5	822110060	Connection pivot for electric components		4						
6	824710250	Thermostat knob 50-300°C	x	2						
7	826650020	Signal lamp 230V (green)	x	2						
8	826650030	Signal lamp 230V (orange)	x	2						
9	826630100	Terminal board FV 122/B		1						
10	824710200	Cable retainer PG21		1						
11	824710210	Lock nut PG21		1						
12	825110080	Gasket (per meter)		3,0						
13	824710080	Red index		2						
14	822410120	Exhaust grid		2						

*X: Suggested PARTS*

FRY-TOP EL. TOP (Serie 700 - 1/1M)  
ELECTRIC FRY-TOP

RIF. Da matricola n°  
REF. From serial n°