

**E350/38 Fryer - Body and Pan Fitments**

1	539211030	Rear Flue Trim
2	539211040	Flue Grid
3	539211082	Flue Front
4	539210600	Flue Trim L.H.
5	539210620	Hob Trim L.H.
6	539211700	Pan & Hob Assembly (See Note 1 below)
7	539210610	Flue Trim R. H.
8	539210630	Hob Trim R.H.
9	539211720	Fish Plate
10	539211730	Dust Cover Assembly
11	539211740	Chip Basket
12	539213000	Pan Strainer
13	539211810	Control Panel Assembly (see Note 2 below)
14	539211280	Foot
15	539220710	Outer Side Panel L.H. (see Note 2 below)
15a	539220720	Outer Side Panel R.H. (see Note 2 below)
16		
17	539216120	Drain valve pan coupling
18	734350440	Drain valve
19	531740490	Drain lever spring
20	539215910	Drain Valve Key
21	539215920	Drain Lever
22	539213390	Drain Valve Knob
23	539216110	Drain Pipe Adapter Pre 24/07/94
24	539215580	Adapter 'O' Ring Pree 24/07/94
25	539211830	Drain Pipe Bayonet Type Pre 24/07/94
26	735011350	Drain Pipe Coupling (CP) Post 24/07/94
27	735010570	Drain Pipe (Post 24/07/94)

X

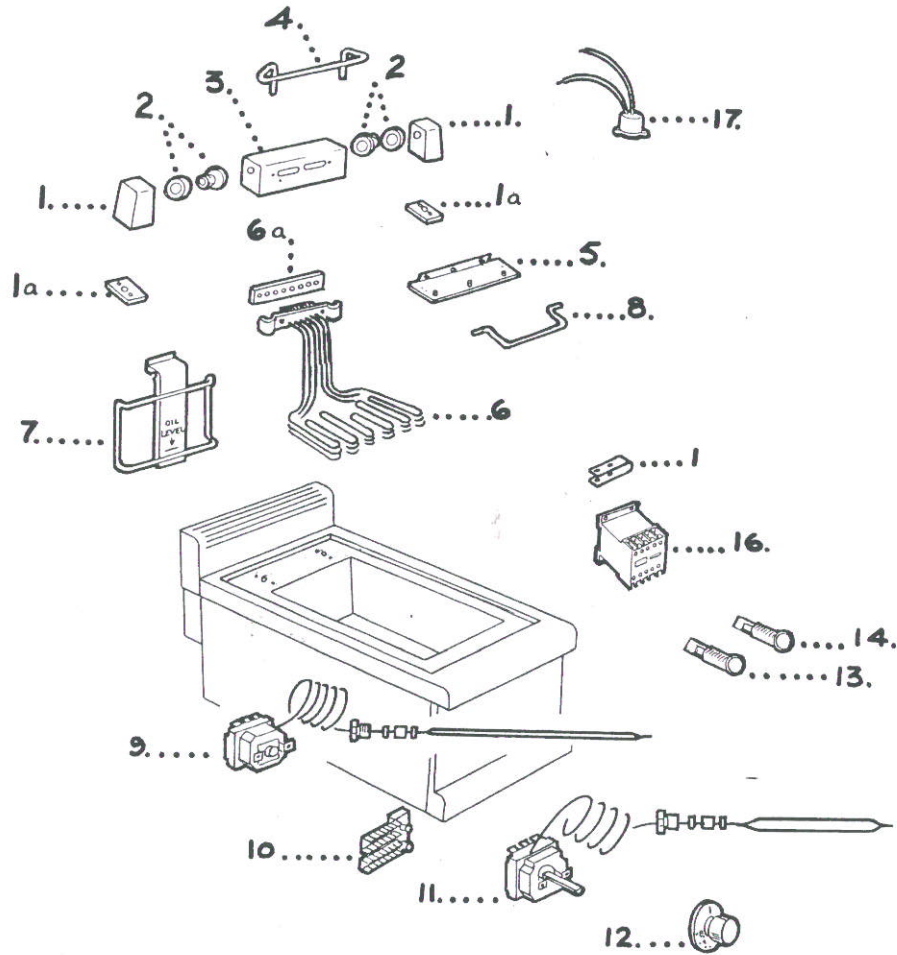
P 311 & T6 38101

**Note 1**

Replacement Hob and Pan Assembly will be of the latest manufacture which may have differences from that being replaced. I.e. Appliances prior to 6/04/92 had thermostat phials through a gland in the front of the pan.

**Note 2**

Brown Vitreous Enamel parts and Brown Painted parts are no longer available and the later stainless steel equivalent part will be supplied in lieu.



**E350/38 Fryer - Element & Control Fitments**

1	539211780	Element Support Pillar
1a	539113611	Element Support Pillar Gasket
2	539113262	Hinge Bush and Lock Ring
3	539211790	Element Housing
4	539211750	Basket Hanger
5	539211800	Element Housing Base
6	539113180	Element 240v
6a	539113265	Element Gasket
7	539112840	Element Shield
7a	539213430	Element Shield clamp
8	539215430	Tilt Bar
9	539013200	Safety Thermostat
10	539110470	Terminal Block L1 & N
10a	539110471	Terminal Block L2 & L3
11	539113215	Operating Thermostat (pre 6/4/92)
11a	539215840	Operating Thermostat (post 6/4/92)
12	539113220	Control Knob
13	539110440	Indicator Lamp (Red)
14	539110430	Indicator Lamp (Amber)
15	539113208	Phial Clamp
16	539221295	Contactor (from 13/1/97)
17	539221290	Tilt Switch (from 13/1/97)