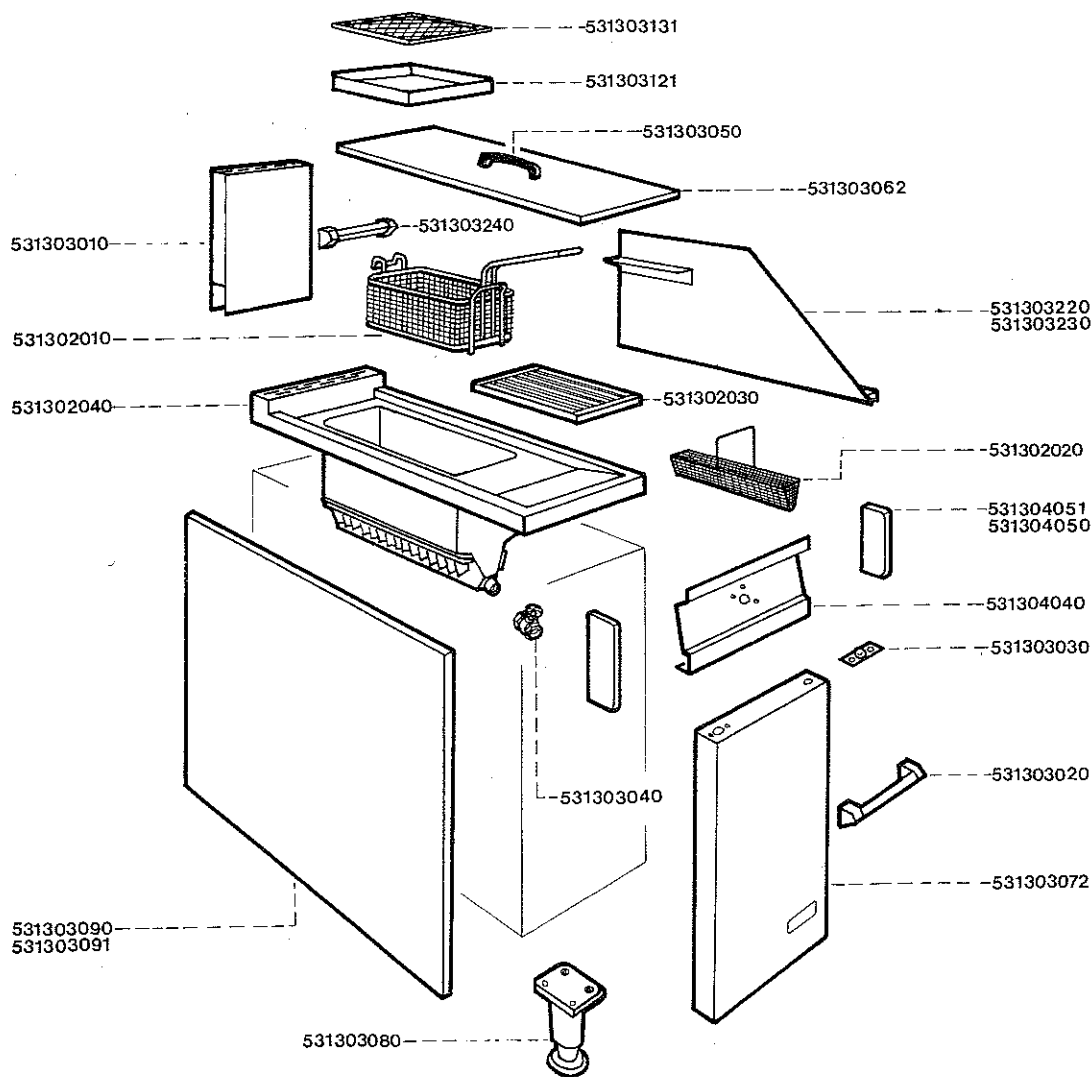


G1830 DEEP FAT FRYER

FRYER FITMENTS



Code No.	Description
10E 531302010	Basket
4E 531302020	Strainer
1E 531302030	False Bottom
8N 531302040	Pan c/w Insulation
6E 531303010	Flue Uptake
2H 531303012	Door Complete (not illustrated)
3C 531303020	Door Handle
8B 531303030	Door Catch
4E 531303040	Drain Valve
5B 531303050	Cover Handle
3G 531303060	Fish Tray Complete (not illustrated)
10D 531303062	Cover c/w Handle

Code No.	Description
6F 531303072	Door Panel
9B 531303080	Adjustable Leg
5G 531303090	Outer Side Panel — L.H.
5G 531303091	Outer Side Panel — R.H.
12D 531303121	Fish Tray
1F 531303131	Fish Tray Mesh Insert
4G 531303220	Side Screen — R.H.
4G 531303230	Side Screen — L.H.
4C 531303240	Basket Hanging Rail
11C 531304040	Control Panel
12C 531304050	End Cheek — L.H.
12C 531304051	End Cheek — R.H.

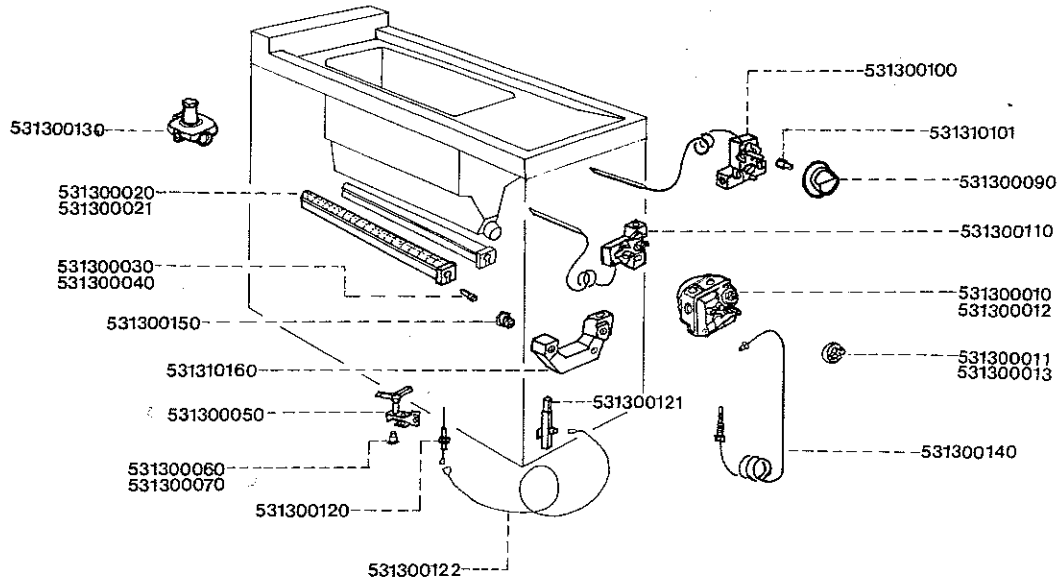
Sheet Reference Number

G1830/1184/001

**Falcon Catering
Equipment**
Commercial and institutional
catering equipment



Falcon Catering Equipment is a
business name of
Glynwed Consumer & Building Products Ltd
a member of the
Glynwed International plc
group of companies



Code	No.	Description
1J	531300010	Gas Control Box — Nat. Gas
6B	531300011	Control Box Knob — Nat. Gas
1J	531300012	Gas Control Box — L.P. Gas
6B	531300013	Control Box Knob — L.P. Gas
10F	531300020	Burner — R.H.
10F	531300021	Burner — L.H.
1B	531300030	Burner Injector — Nat. Gas
1B	531300040	Burner Injector — L.P. Gas
7C	531300050	Pilot Burner
1B	531300060	Pilot Burner Jet — Nat. Gas
1B	531300070	Pilot Burner Jet — L.P. Gas
8H	531300080	Operating Thermostat c/w Knob (not illustrated)
6B	531300090	Operating Thermostat Knob
6H	531300100	Operating Thermostat
6H	531300110	Safety Thermostat
8B	531300120	Electrode
9D	531300121	Spark Igniter
3B	531300122	Igniter Lead
3D	531300130	Governor
12C	531300140	Thermocouple
1B	531300150	Injector Adaptor
1B	531310101	Thermostat Spindle Adaptor
12D	531310160	Manifold

537300010 - safety t'stat kit - pre 25/11/96

531313460 - safety t'stat kit - pre 25/11/96 (TESCO)

531313470 - Interrupter

Reference Number

0/1184/002

