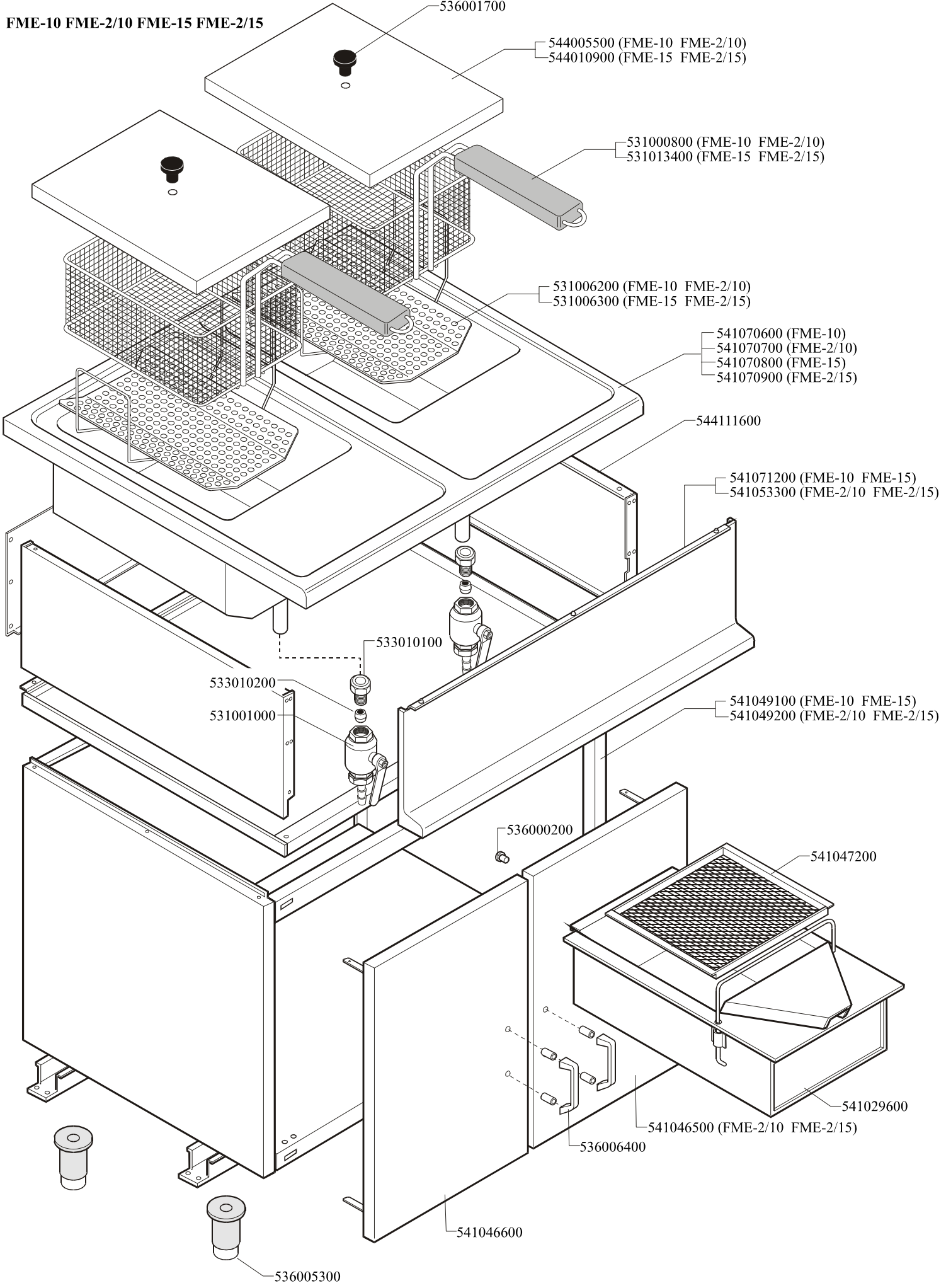
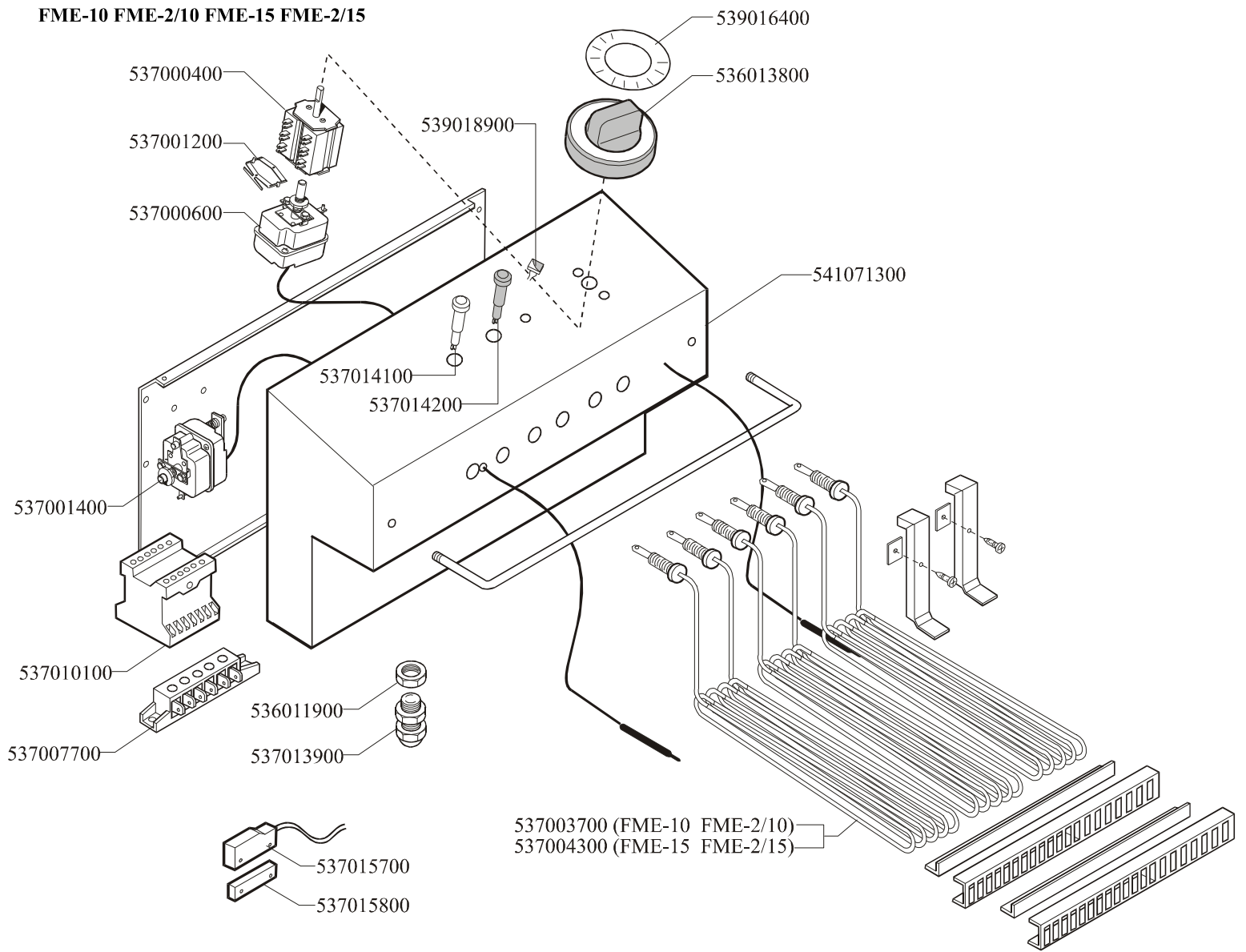


FME-10 FME-2/10 FME-15 FME-2/15



FME-10 FME-2/10 FME-15 FME-2/15



Page	Pos	Code	Description
001		536001700	GRIP D.25*19*M6
001		544005500	TANK LID FE/FME-10
001		531000800	FRYER BASKET FE/FME-10
001		531006200	FILTER FE/FME-10
001		541070600	UPPER PLATE FME-10
001		544111600	SIDE PANEL 700
001		541071200	CONTROL PANEL FME-10/15
001		533010100	3/4 D. 18 PIPE UNION
001		533010200	BICONE 18S
001		531001000	DRAIN COCK 3/4" + HANDLE
001		541049100	400 CABINET
001		536000200	D.12 H.4 BUMPER
001		541047200	FILTER FOR DRIP TRAY
001		541029600	DRIP TRAY 40L
001		536006400	BLACK HANDLE 65/FE/FG
001		541046600	LEFT DOOR 40
001		536005300	PLASTIC LED 2"
002		539016400	ADHESIVE GRADUATED DISC FOR KNOB
002		536013800	KNOB D.70 BLACK 6*5 WITH SPRING
002		539018900	INDEX FOR KNOB
002		537000400	COMMUTATOR 1POS.SINGLEPHASE S49 16A
002		537001200	FIXING BRACKET FOR THERMOSTAT/COMM.
002		537000600	THERMOSTAT 90-180°C SINGLEPHASE
002		541071300	CONTROL BOX FE-10 FME-15
002		537014100	WHITE WARNING LIGHT 250V
002		537014200	GREEN WARNING LIGHT 250V
002		537001400	SAFETY THERMOSTAT 235°C THREEPHASE
002		537003700	HEATING ELEMENT W2000 V230 FE-10
002		537015700	MAGNETIC SENSOR (SWITCH)
002		537015800	MAGNETIC UNIT FOR SENSOR
002		536011900	HEXAGONAL LOCK NUT PG-16
002		537013900	CABLE SECURING CLAMP PG-16
002		537007700	TERMINAL BLOCK THREEPHASE 40A
002		537010100	REMOTE CONTROL SWITCH 20A 230V