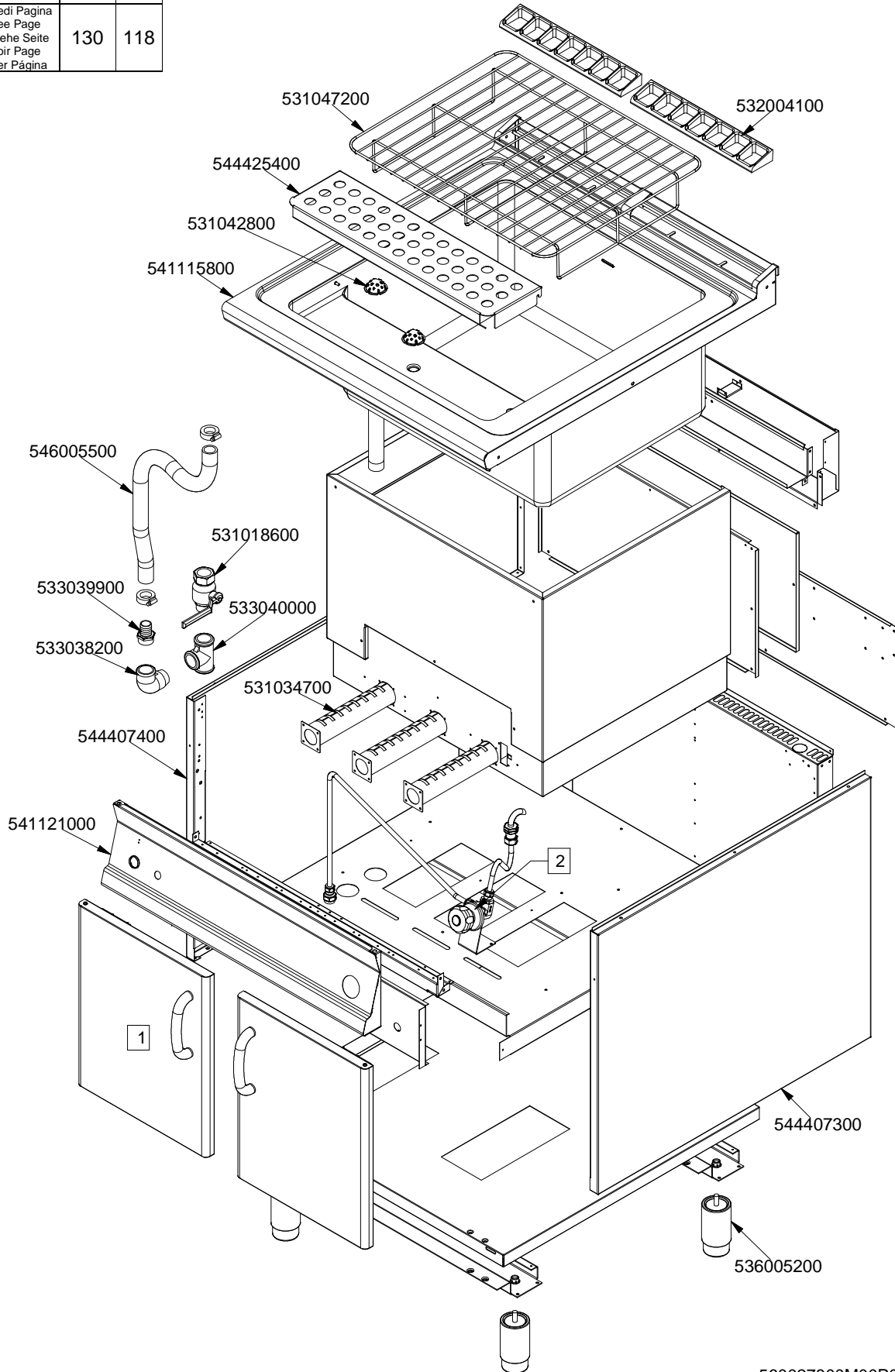


# IPERLOTUS 90

GAS / GAS / GAS / GAZ

## CPB-98G

	1	2
Vedi Pagina See Page Siehe Seite Voir Page Ver Página	130	118

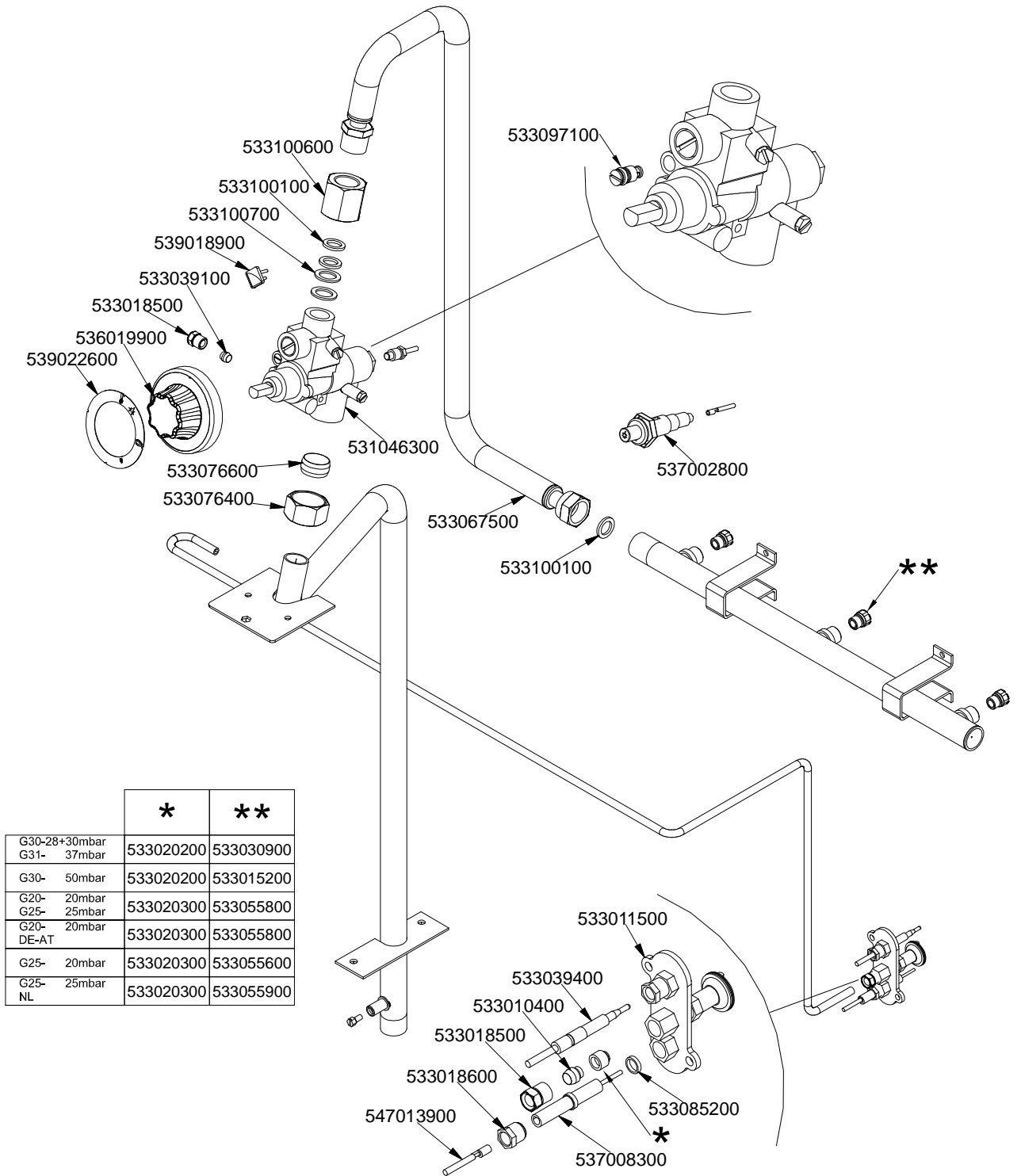


560027800M00P00

# IPERLOTUS 90

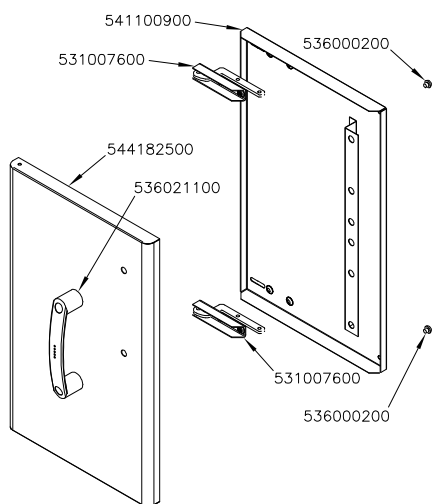
GAS / GAS / GAS / GAZ

## CPB-98G

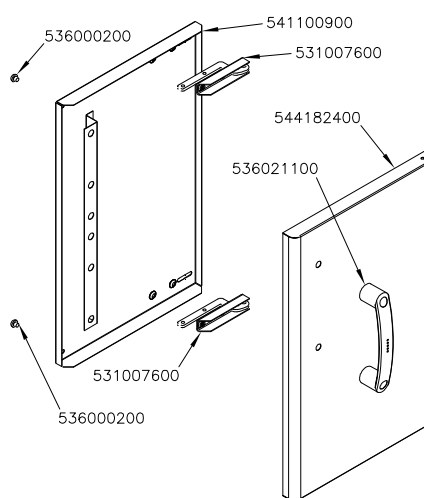


560027900M00P00

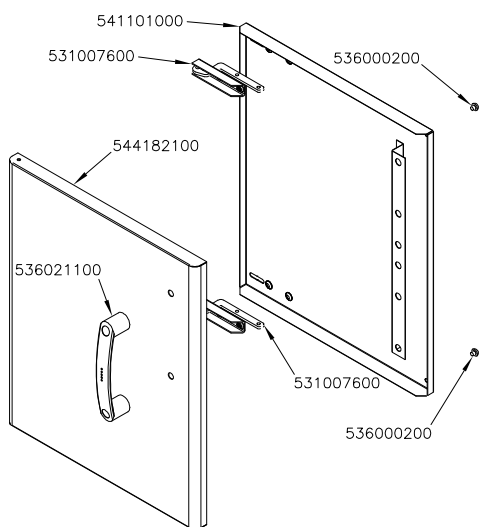
**PORTE / DOORS / FLÜGELÜREN / PORTES N°≤0601**



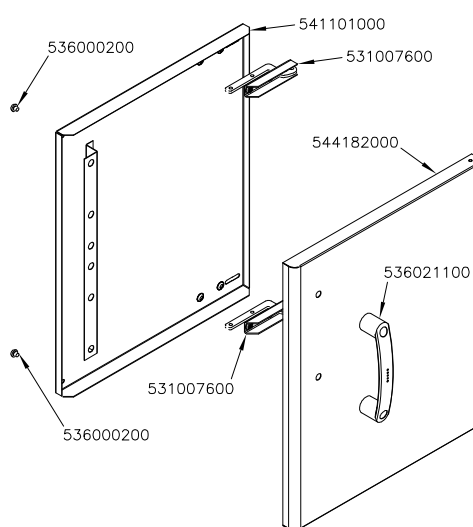
P-73/93 SX



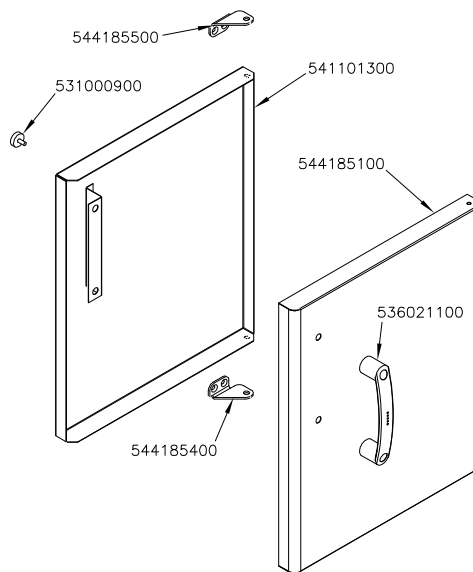
P-73/93 DX



P-74/94 SX



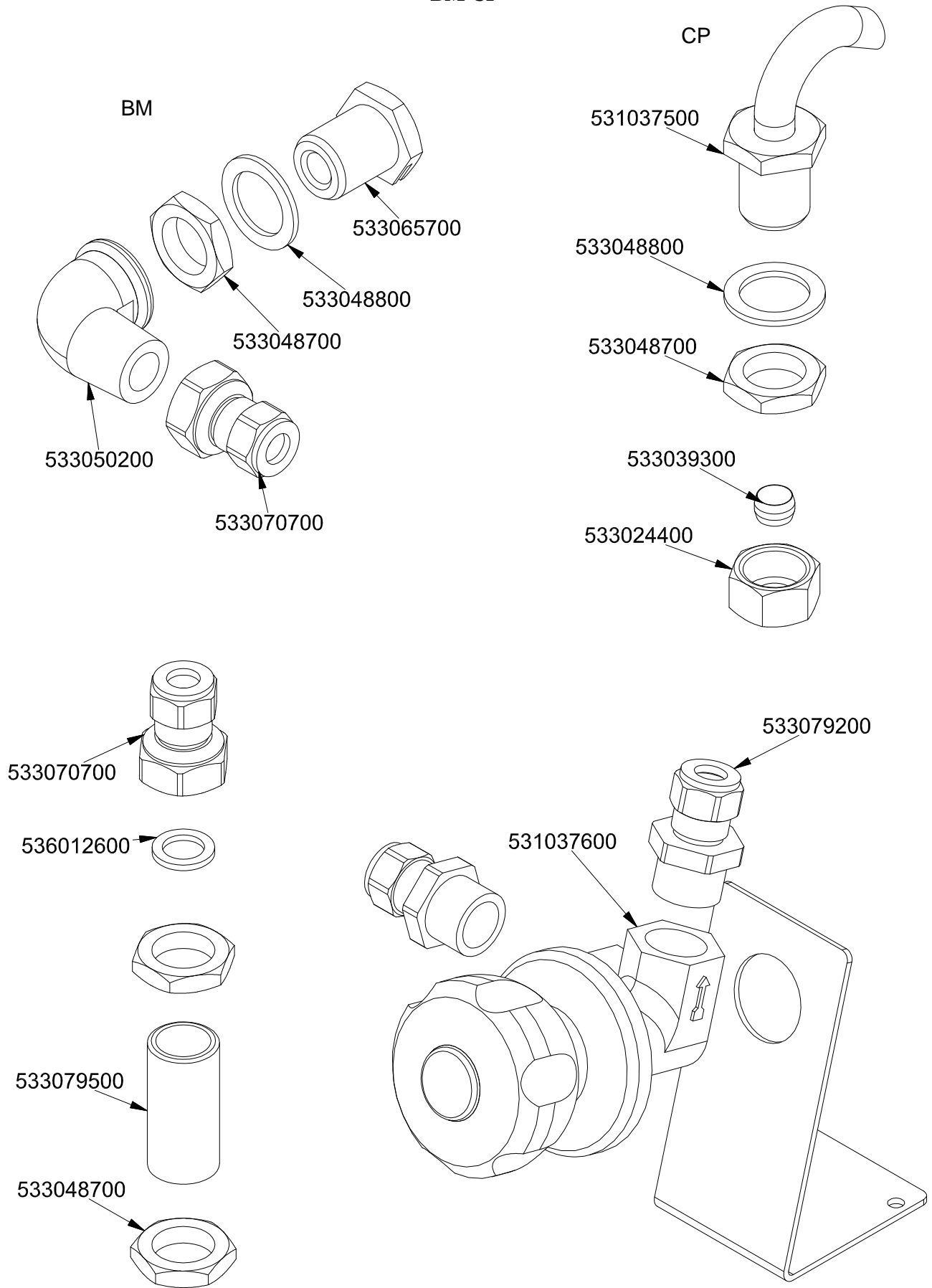
P-74/94 DX



P-74/94 DX CF

560012800M00P00

BM CP



Page	Pos	Code	Description
001		541121000	CONTROL PANEL BM-78/98E CPB-98G
001		544407400	LEFT SIDE PANEL 70 LINE
001		546005500	RUBBER TUBE §25INT.*§33EXT.XL=680
001		533039900	PIPE HOLDER 1" G M D.24
001		533038200	1" G M-F ELBOW FITTING
001		531018600	BALL VALVE 1"G M-F CPM-62G
001		533040000	1"G F-F-F "T" FITTING
001		531034700	
001		541115800	UPPER PLATE CPB-98G
001		531042800	SEMISPHERE FILTER
001		544425400	
001		531047200	BASKET SUPPORT GRID CPB 70LINE
001		532004100	FLUE GRID L=370 70LINE (RAF)
001		544407300	RIGHT SIDE PANEL 90 LINE
001		536005200	INOX LEG 2" 120-180 M10
002		533039400	THERMOCOUPLE M9*1*850
002		533011500	PILOT BURNER 2 FLAMES 220
002		533018500	FITTING FOR BICONE D.6 M10*1
002		533018600	PLUG FITTING
002		547013900	HIGH-VOLTAGE CABLE TUB.§2 L=1400
002		533085200	
002		537008300	ROUND PLUG §2,4- LONG ELECTRODE
002		533010400	BICONE D.6
002		537002800	PIEZOELECTRIC IGNITION M18
002		533100100	GASKET §18
002		539022600	GRADUATED STICKER FOR KNOB
002		536019900	BLACK KNOB §70 PIN §10*8
002		533039100	BICONE §6
002		533100600	FITTING M24X1,5 * 1/2G
002		533100700	GASKET §21
002		539018900	INDEX FOR KNOB
002		533076400	HEXAGONAL NUT FOR BICONE DIAM.20
002		533076600	BICONE §20
002		531046300	SAFETY TAP 23SV
002		533097100	BY-PASS FOR 24ST TAP 23SV D190
002		533067500	EXTENSIBLE STEEL TUBE 50-100
002		533020200	PILOT JETS 0160 FOR LPG §30
002		533020300	NOZZLE 0160 (NATURAL GAS) 1-2 (41)
002		533030900	NOZZLE §165 CH12X14 H-CW
002		533015200	NOZZLE §145 CH12*14 F-FP/CP6
002		533055800	
002		533055600	NOZZLE §280 CH12*14
002		533055900	
003		541100900	INNER DOOR 73
003		531007600	DOOR HINGE
003		536000200	D.12 H.4 BUMPER
003		544182500	RIGHT DOOR 73
003		536021100	BLACK HANDLE 70LINE + 2RED POINTS
003		531007800	
003		544182400	RIGHT DOOR 73
003		541101000	INNER DOOR 74

Page	Pos	Code	Description
003		544182100	LEFT DOOR 74
003		544182000	RIGHT DOOR 74
003		544185500	UPPER DOOR HINGE FOR COMPARTME CF70
003		531000900	MAGNET §22 KG.3 WITH DISK
003		541101300	RIGHT INNER DOOR 74 CF
003		544185100	RIGHT DOOR 74
003		544185400	LOWER DOOR HINGE FOR COMPARTME CF70
004		531037500	
004		533065700	FITTING FOR WATER INPUT 1/2G
004		533048800	GASKET §30*§21*2 FIBRE
004		533048700	NUT 1/2G ZN
004		533039300	BICONE §10
004		533024400	HEXAGONAL NUT 1/2G TUBE D.10
004		533050200	90° 1/2 M/F ELBOW FITTING
004		533070700	FITTING 1/2G TUBE D10 + O-RING
004		536012600	GASKET §12,5*§18,5*2 1/2G
004		531037600	TAP FOR WATER LOADING 1/2"GF CP 90
004		533079200	FITTING 1/2G F.TUBE D10 + O-RING
004		533079500	