

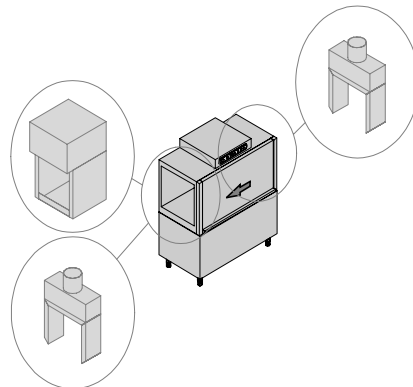
RACK CONVEYOR MACHINE

TYPE: 34HS

Accessories

STEAM CONDENSER - LC 81
CONVEYOR SPEED ADJUSTING- LC 101
90° MOTORIZED CHAIN CONVEYOR - LC 97/2
180° MOTORIZED CHAIN CONVEYOR - LC 97/3
DRYER WITH 90° MOTORIZED CHAIN CONVEYOR - LC 97/4
DRYER WITH 180° MOTORIZED CHAIN CONVEYOR - LC 97/5
DRYER - LC 80
ADDITIONAL BOILER FOR COLD WATER SUPPLY
DVGW VALVE SYSTEM
WATER FLOW ADJUSTING
SPLASH ZONE WITH CILINDER - LC 84
SPLASH ZONE - LC 83
TANKS INSULATION
DOUBLE SKIN
BOOSTER PUMP
DISPENSERS SYSTEM SDN-3
ANGLE LOADING TABLE - LC 98
RINSE ECONOMIZER SYSTEM

Spare parts manual



1. Spare parts

Control Panel.....	9
Electric parts	11
General part.....	13
Economizer components.....	15
Curtains group components	17
Inverter	19
Time relay	21
Dryer LC 80 (6kW) - part 1	23
Dryer LC 80 (6kW) - part 2	25
Dryer LC90/2 (12kW) - electric components	27
Dryer LC 80 (6kW) - electric components	29
Motorized curve 90° - LC 97/2	31
Dryer motorized curve 90° - LC 97/4	33
Motorized curve 90° - LC 97/2: electric parts	35
Motorized curve 90° - LC 97/2: electric parts single speed - remote control	37
Motorized curve 180° - LC 97/3	39

Dryer motorized curve 180° - LC 97/5	41
Motorized curve 180° - LC 97/3: electric parts	43
Motorized curve 180° - LC 97/3: electric parts single speed - remote control	45
Steam condenser - part 1	47
Steam condenser - part 2	49
Steam condenser - part 3	51
Additional boiler components	53
Additional boiler: electrical components	55
DVGW valve	57
Motorgear components	59
Washing components 4+4	61
Internal components	63
Rinsing components	65
Boiler components	67
Solenoid valves components	69
Solenoid valves components	69
Solenoid valves components with adjusting flow	71
Solenoid valves components	71
Conveyor parts	73

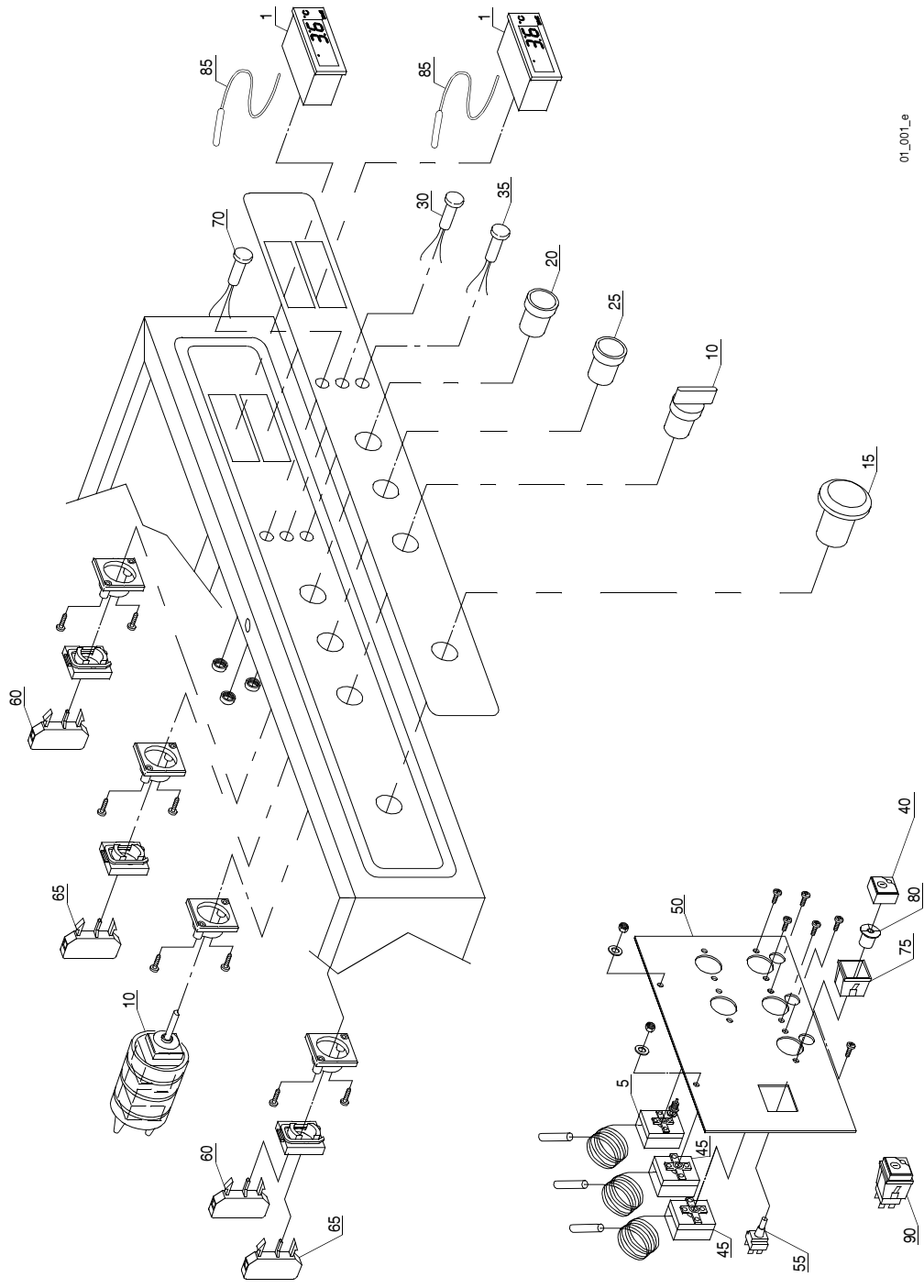
Splash zone with cilinder - LC84	75
Splash zone - LC83.....	77
Tank insulation.....	79
Double skin	81
Booster pump	83
Dispensers SDN-3	85
Angle loading table 90° - LC 98	87
Rinse economizer system	89
Baskets	91
Accessory	93

1.1 Voltage codes

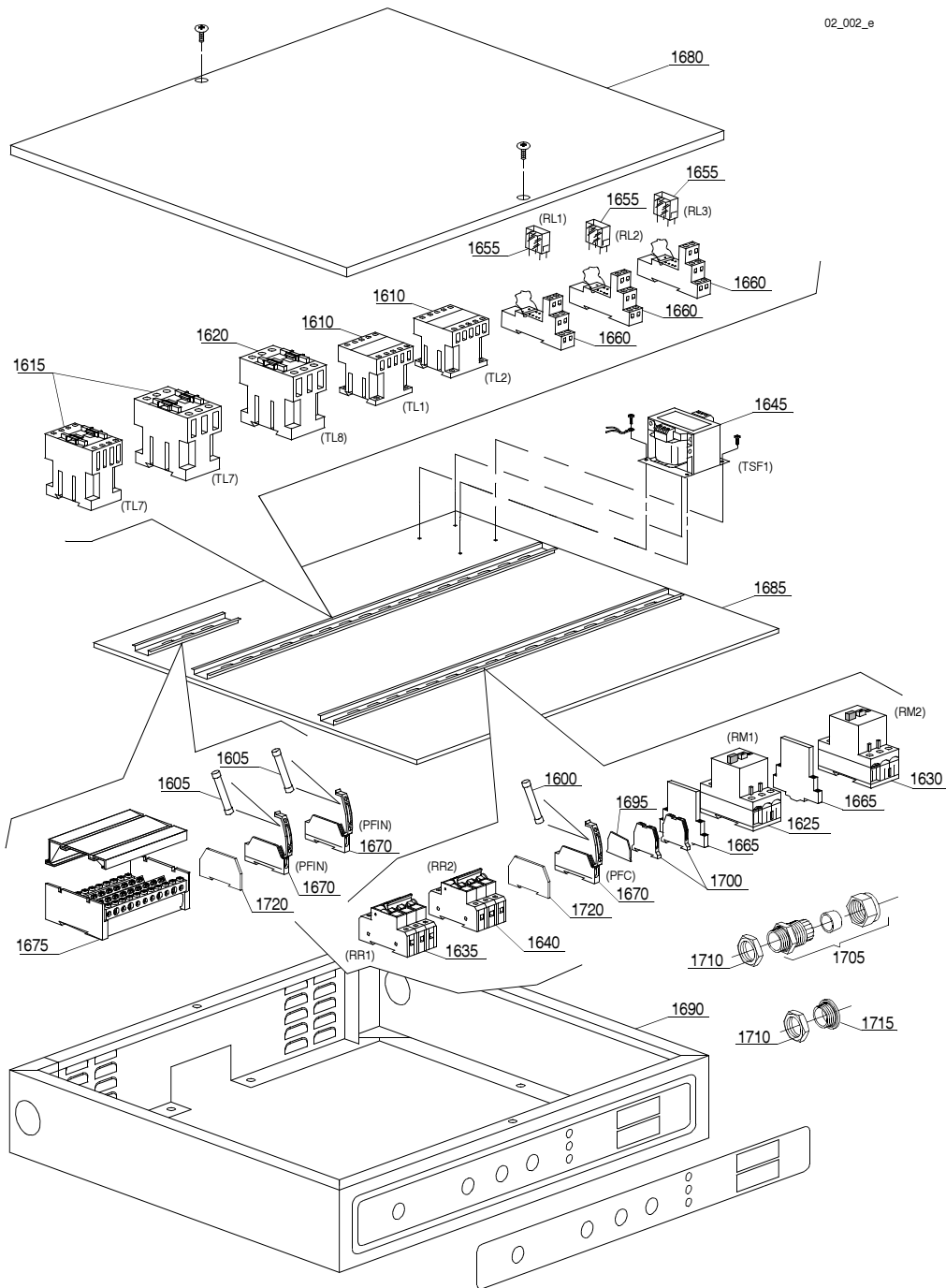
Voltage code	Voltage
A	3/N/PE~400/230V 50Hz
B	~250V 16A 50Hz
C	3/N/PE~380/220V 50Hz
D	3/PE~200V 50-60Hz
F	2/PE 220-240V 50Hz
G	3/N/PE~415/240V 50Hz
H	3/PE~230V 50Hz
I	3/PE~220V 60Hz
J	3/PE~380 50Hz
K	3/PE~400V 50Hz
L	3/PE~415V 50Hz
M	3/PE~440V 60Hz
N	3/PE~460V 60Hz
O	3/PE~480V 60Hz
P	1/N/PE~220-240V 50Hz
R	2/PE~220-230V 60Hz
S	3/N/PE~400/230V 50Hz
T	3/PE~230V 60Hz

1.2 Product codes

Product code	Full name
Model codes	
Type codes	
34HS	34HS
Accessory codes	
sc8	STEAM CONDENSER - LC 81
csa	CONVEYOR SPEED ADJUSTING- LC 101
972	90° MOTORIZED CHAIN CONVEYOR - LC 97/2
973	180° MOTORIZED CHAIN CONVEYOR - LC 97/3
974	DRYER WITH 90° MOTORIZED CHAIN CONVEYOR - LC 97/4
975	DRYER WITH 180° MOTORIZED CHAIN CONVEYOR - LC 97/5
d8	DRYER - LC 80
cw	ADDITIONAL BOILER FOR COLD WATER SUPPLY
dvgw	DVGW VALVE SYSTEM
wfa	WATER FLOW ADJUSTING
szc8	SPLASH ZONE WITH CILINDER - LC 84
sz8	SPLASH ZONE - LC 83
ti	TANKS INSULATION
ds	DOUBLE SKIN
bp	BOOSTER PUMP
sdn3	DISPENSERS SYSTEM SDN-3
98	ANGLE LOADING TABLE - LC 98
res	RINSE ECONOMIZER SYSTEM

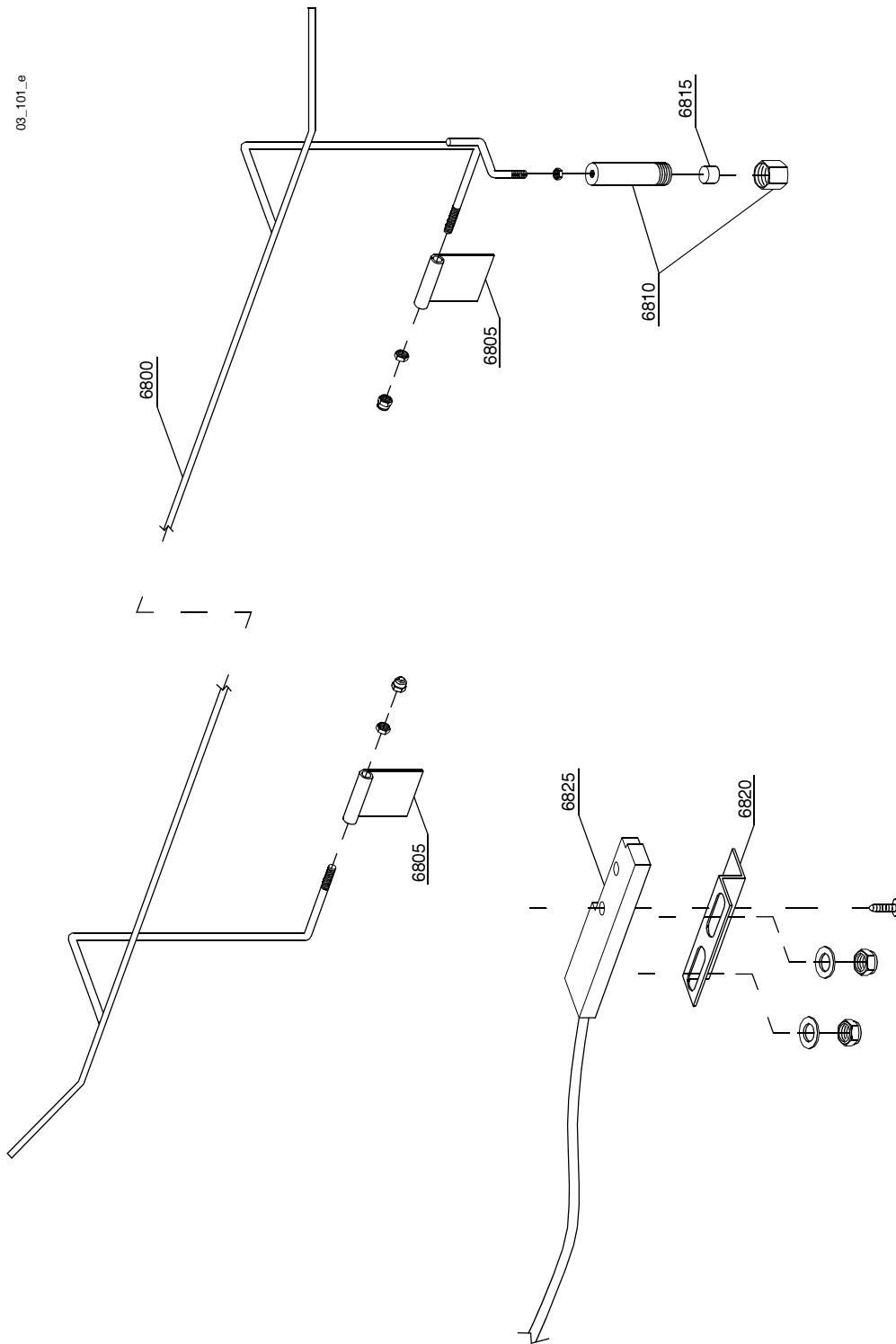


01_001_e



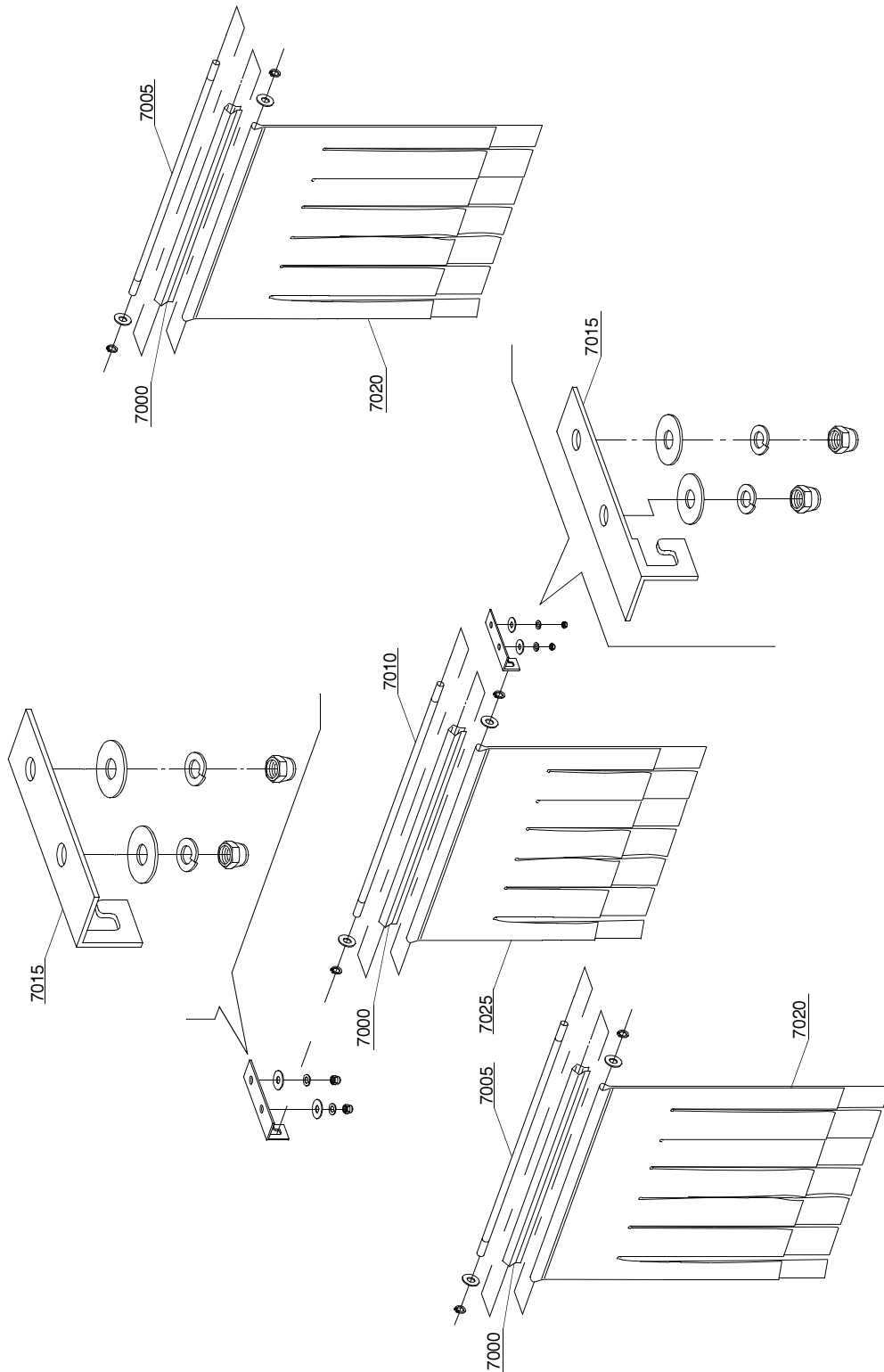
Spare parts

ID	P-code	Model	Type	Accessory	Voltage	Description
MODULE:General parts						
4200	3009322		34HS			Rear cover
4205	3009909		34HS			Spring support
4210	3004012		34HS			Spring holder
4225	3009555		34HS			Spring clamping plate
4230	3004010		34HS			Door spring BBSR 21
4235	3009269		34HS			Door stop
4240	3009576		34HS			Door assembly
4245	3004026		34HS			Door guide
4250	3003958		34HS			Pin
4255	3009523		34HS			Pluggin panel left
4260	3009534		34HS			Pluggin panel right
4265	3009173		34HS			Rear panel
4270	3009191		34HS			Cover left
4275	3009190		34HS			Cover right
4280	3009465		34HS			Front cover
4285	3009112		34HS			Microswitch support
4290	3003112		34HS			Door microswitch
4295	80116		34HS			Foot
4300	3009549		34HS			Side panel
4305	13329		34HS			Fairlead
4310	3009033		34HS			Slideways
4315	3009907		34HS			Spring assembly BBSR 21



Spare parts

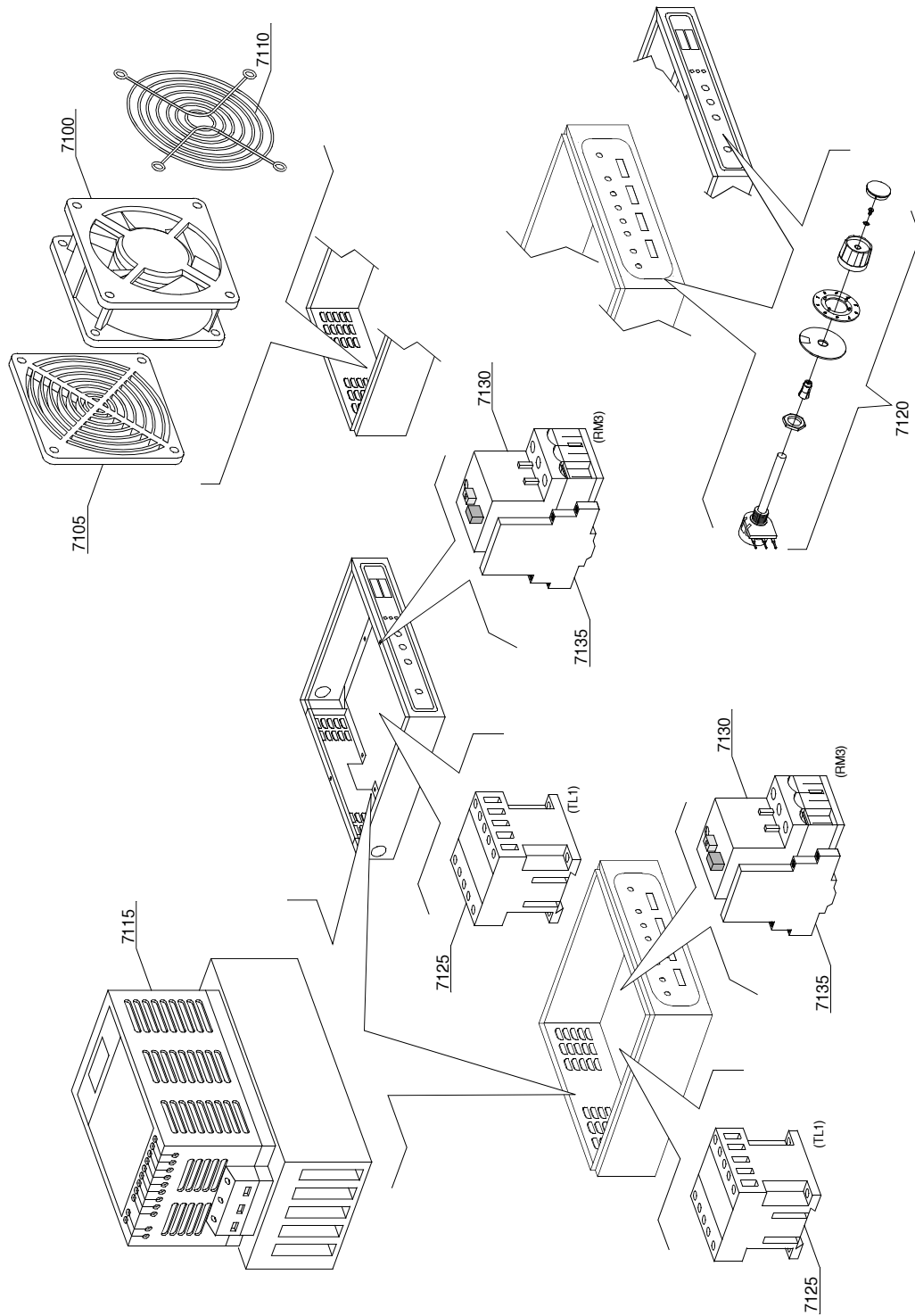
ID	P-code	Model	Type	Accessory	Voltage	Description
MODULE:Economizer components						
6800	3004077		34HS			Rack switch arm
6805	3003061		34HS			Economizer support
6810	3003058		34HS			Magnet holder
6815	3003113		34HS			Magnet
6820	3009112		34HS			Economizer microswitch support
6825	3003112		34HS			Economizer microswitch



03_201_e

Spare parts

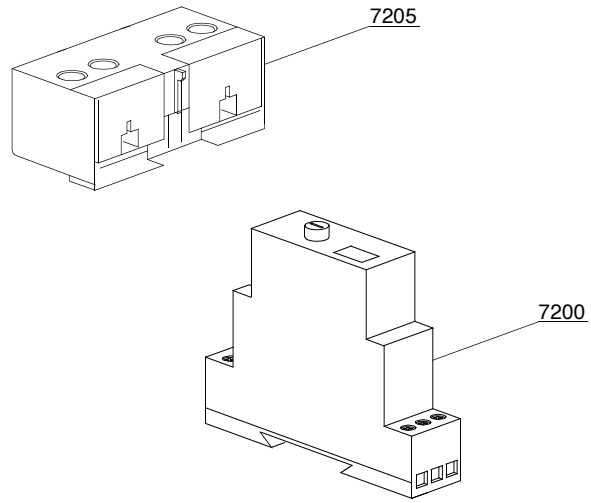
ID	P-code	Model	Type	Accessory	Voltage	Description
MODULE: Curtains group components						
7000	3009109		34HS			Curtain moulding
7005	3004053		34HS			Curtain rod short
7010	3004052		34HS			Curtain rod long
7015	3009110		34HS			Curtain support
7020	3004050		34HS			Curtain long
7025	3004051		34HS			Curtain short



06_001_e

Spare parts

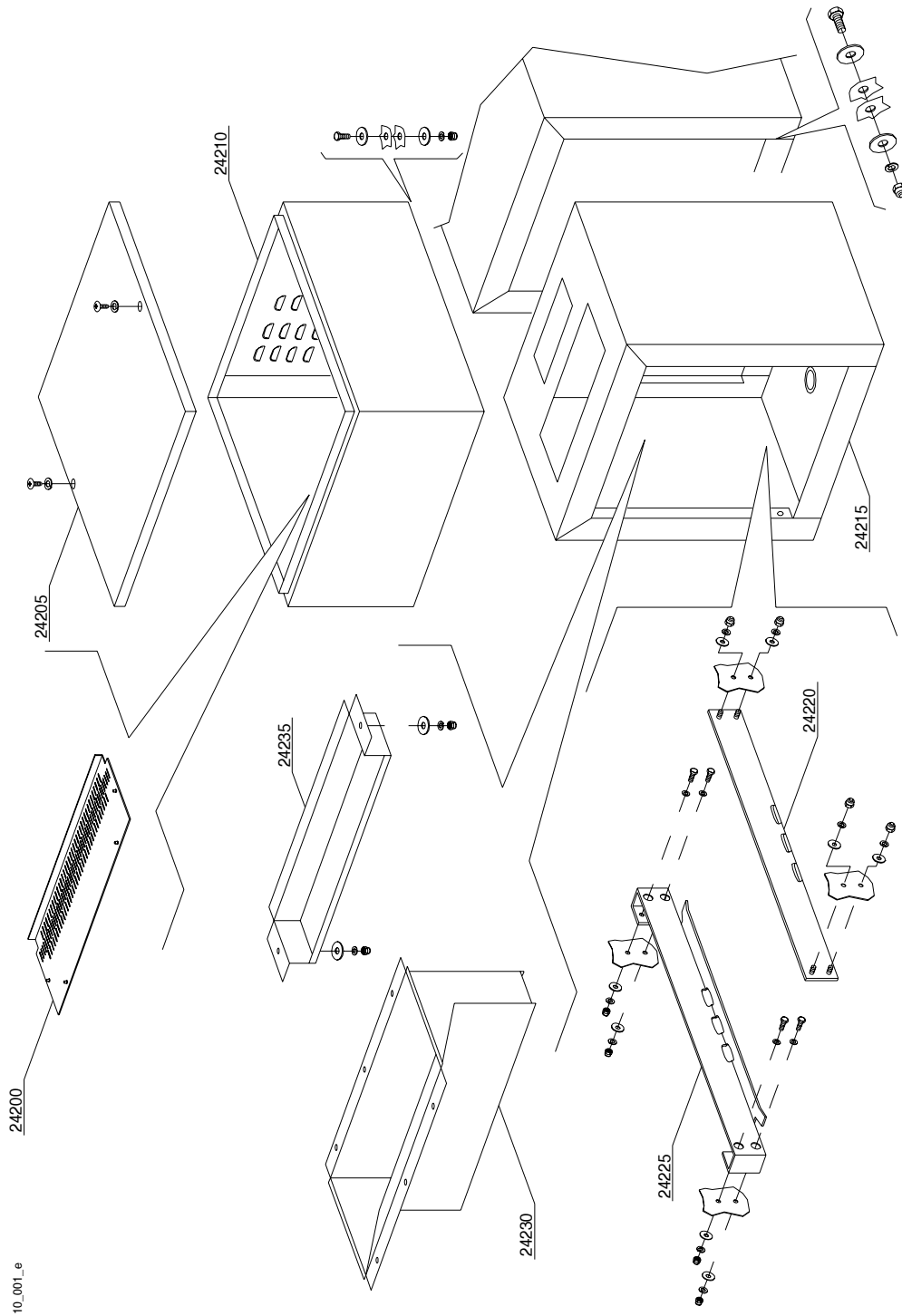
ID	P-code	Model	Type	Accessory	Voltage	Description
MODULE:Inverter						
7100	3000118		34HS	csa	A	Impeller fan
7105	3000118/A		34HS	csa	A	Filter
7110	3000118/B		34HS	csa	A	Grid
7115	3000117		34HS	csa	A	Inverter 0,37kW
7120	3000119		34HS	csa	A	Potentiometer with knob
7125	2000370		34HS	csa	A	Contactore MC9
7130	2000400		34HS	csa	A	Motorprotector 4-6,3A
7135	3006080		34HS	csa	A	Auxiliary contact LMS25



07_001_e

Spare parts

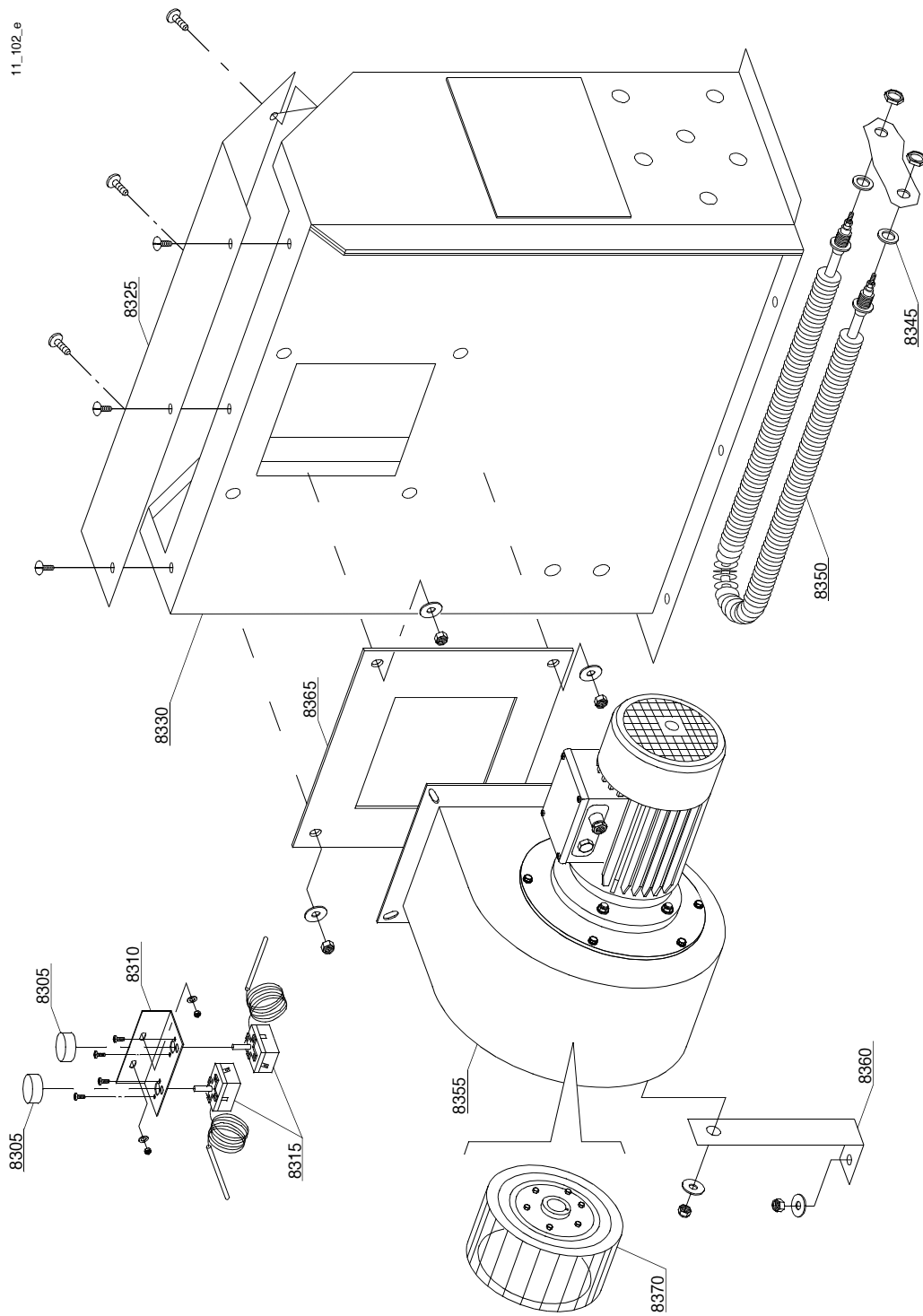
ID	P-code	Model	Type	Accessory	Voltage	Description
MODULE:Time relay						
7200	3006225		34HS	sc8,d8,974,975	A	Time relay 24V
7205	3006068		34HS	sc8,d8,974,975	A	MC9 auxiliary contact 1NO-1NC
7205	3002057		34HS	sc8,d8,974,975	A	MC9 auxiliary contact 2NO
7205	3002052		34HS	sc8,d8,974,975	A	MC9 auxiliary contact 2NC



10_001_e

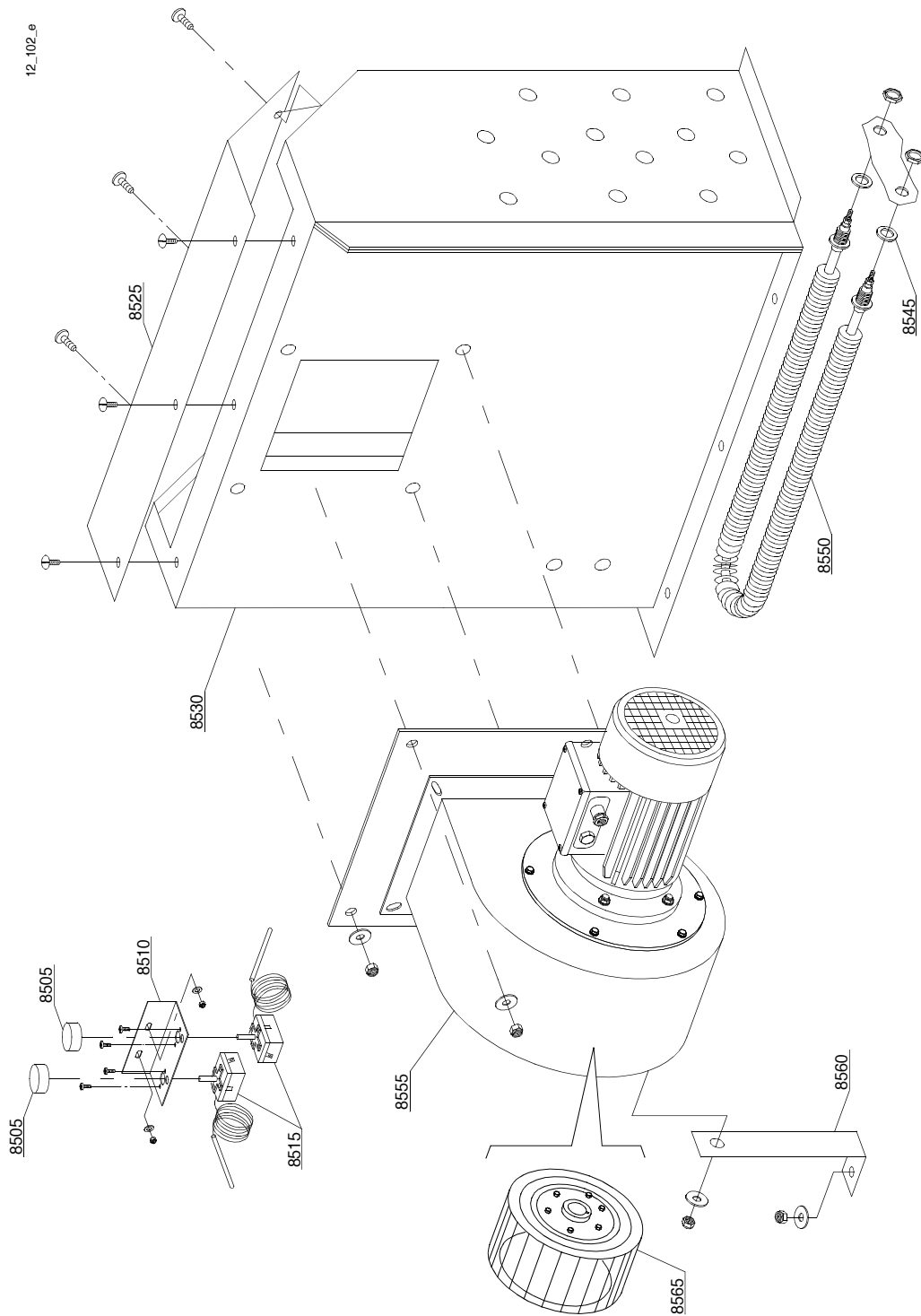
Spare parts

ID	P-code	Model	Type	Accessory	Voltage	Description
MODULE:Dryer LC 80 (612kW) - part 1						
24200	3009564		34HS	d8		Protection/Splash guard
24205	3009267		34HS	d8		Cover panel
24210	3009569		34HS	d8		Complete body
24215	3009574		34HS	d8		Dryer module
24220	3009381		34HS	d8		Front slideways
24225	3009525		34HS	d8		Back slideways
24230	3009492		34HS	d8		Flow conveyor
24235	3009540		34HS	d8		Protection/Splash guard



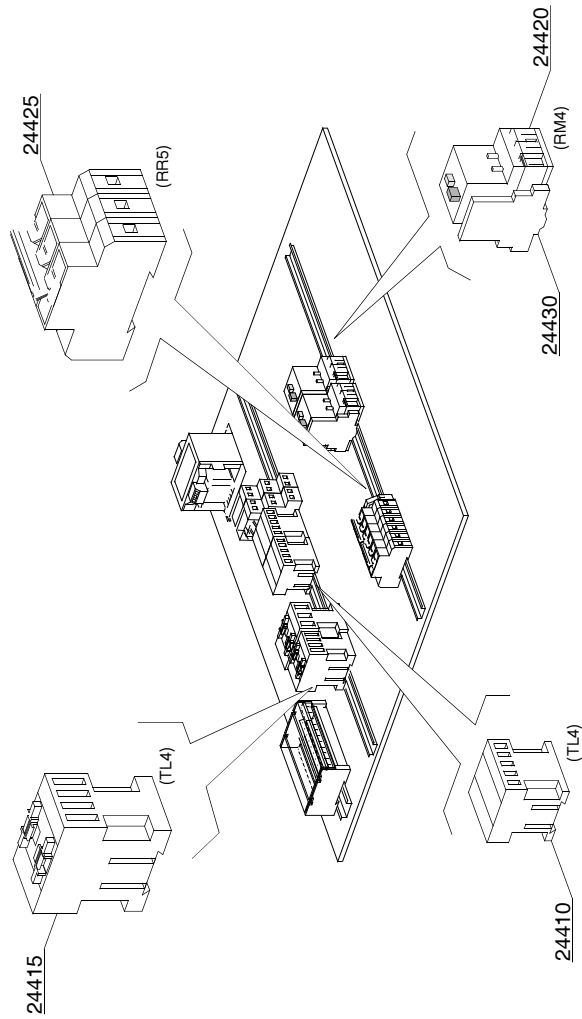
Spare parts

ID	P-code	Model	Type	Accessory	Voltage	Description
MODULE:Dryer LC 80 - LC 90 (6kW) - part 2						
8305	15105/A		34HS	d8		Thermostat knob
8310	3009104		34HS	d8		Themostat support
8315	10707/2		34HS	d8		Thermostat with shaft 0 - 90°
8325	3009085		34HS	d8		Cover drying conveyer
8330	3009486		34HS	d8		Right drying conveyer
8330	3009487		34HS	d8		Left drying conveyer
8345	10200171		34HS	d8		Gasket FASIT 25x17x2
8350	2000359		34HS	d8		Drying heating element with nut
8355	3000300		34HS	d8	A	Motorfan 0,55 kW
8360	3009214		34HS	d8		Motorfan support
8365	3009275		34HS	d8		Flange
8370	3000308		34HS	d8		Pump rotor



Spare parts

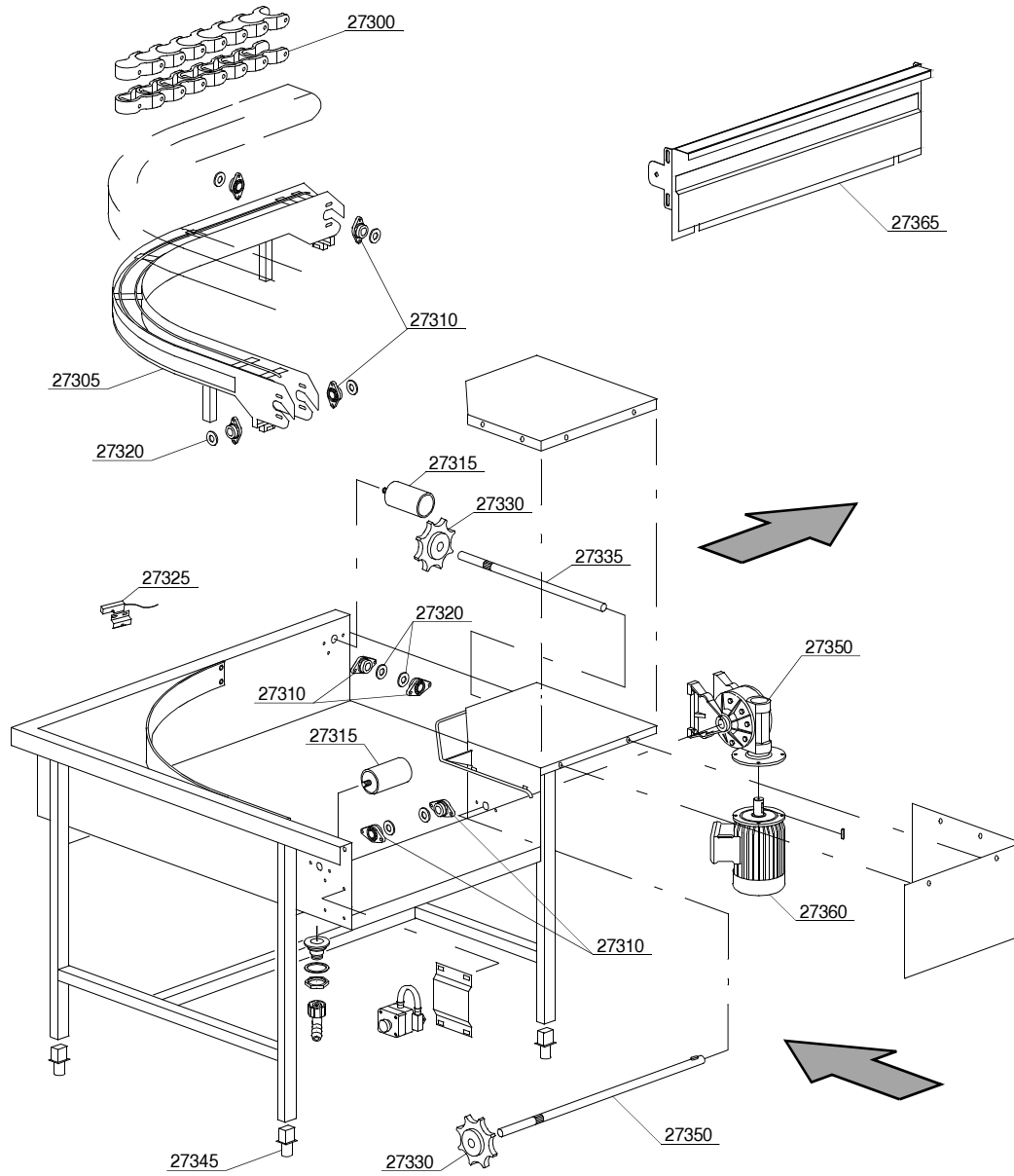
ID	P-code	Model	Type	Accessory	Voltage	Description
MODULE:Dryer LC 90/2 (12kW) - part 2						
8505	15105/A		34HS	974,975		Thermostat knob
8510	3009104		34HS	974,975		Themostat support
8515	10707/2		34HS	974,975		Thermostat with shaft 0 - 90°
8525	3009085		34HS	974,975		Cover drying conveyor
8530	3009488		34HS	974,975		Right drying conveyor
8530	3009489		34HS	974,975		Left drying conveyor
8545	10200171		34HS	974,975		Gasket FASIT 25x17x2
8550	2000359		34HS	974,975		Drying heating element with nut
8555	3003118		34HS	974,975		Motorfan 0.75 kW
8555	3000301		34HS	974,975		Motorfan 1,5 kW
8560	3009214		34HS	974,975		Motorfan support
8565	3003119		34HS	974,975		Pump rotor



10_201_e

Spare parts

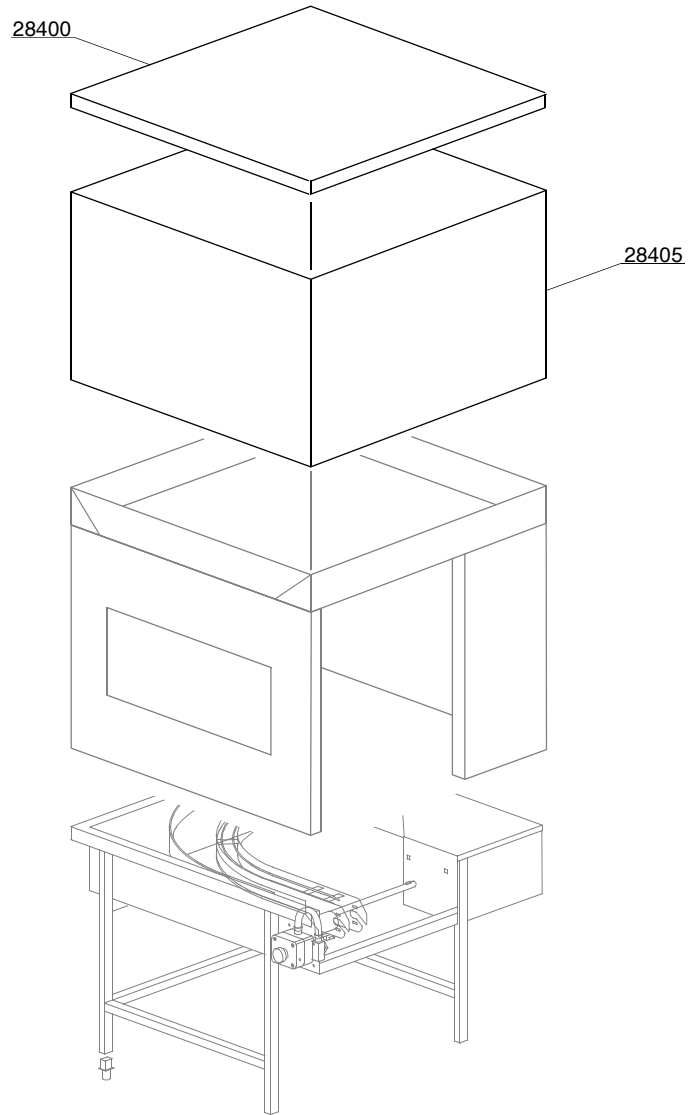
ID	P-code	Model	Type	Accessory	Voltage	Description
MODULE:Dryer LC 80 (6kW) - electric components						
24410	2000370		34HS	d8	A	Contactora MC9
24415	2000380		34HS	d8	A	Contactora BF12 (LC90 - 6kW)
24420	2000394		34HS	d8	A	Motorprotector 2,5-4A (Motorfan 0,75 kW)
24425	2000403		34HS	d8	A	Automatic fuse C16 (LC90 - 6kW)
24430	3006080		34HS	d8	A	Auxiliary contact LMS25



15_001_e

Spare parts

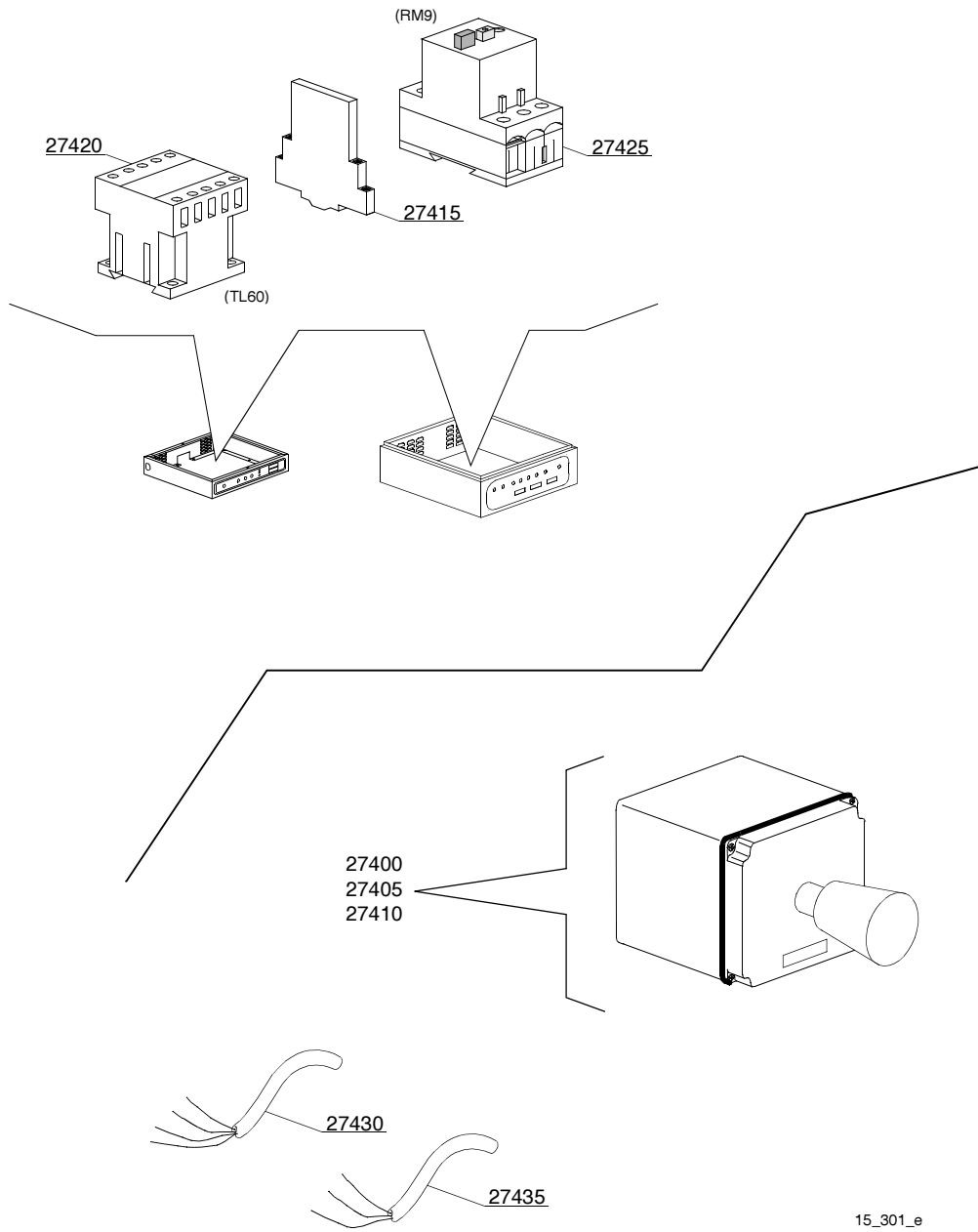
ID	P-code	Model	Type	Accessory	Voltage	Description
MODULE:Motorized curve 90° - LC 97/2						
27300	3000259		34HS	972,974		Chain for roller
27305	3003057		34HS	972,974		Kit guide for chain
27310	3000260		34HS	972,974		Flange for chain
27315	3000262		34HS	972,974		Ø50x80 embossment roller
27320	3003048		34HS	972,974		Spacer for bearings
27325	3003112		34HS	972,974		Door microswitch
27330	3000261		34HS	972,974		8 teeth pinion
27335	3003050		34HS	972,974		Neutral shaft for chain
27345	3000252		34HS	972,974		Adjustable food
27350	3003047		34HS	972,974		Shaft for chain rotation
27350	3000254		34HS	972,974		Gear right 1:100
27360	3000102		34HS	972,974	A	Conveyor motor
27360	3000251		34HS	972,974	A	Conveyor motor
27365	3009657		34HS	972,974		Adapter



15_101_e

Spare parts

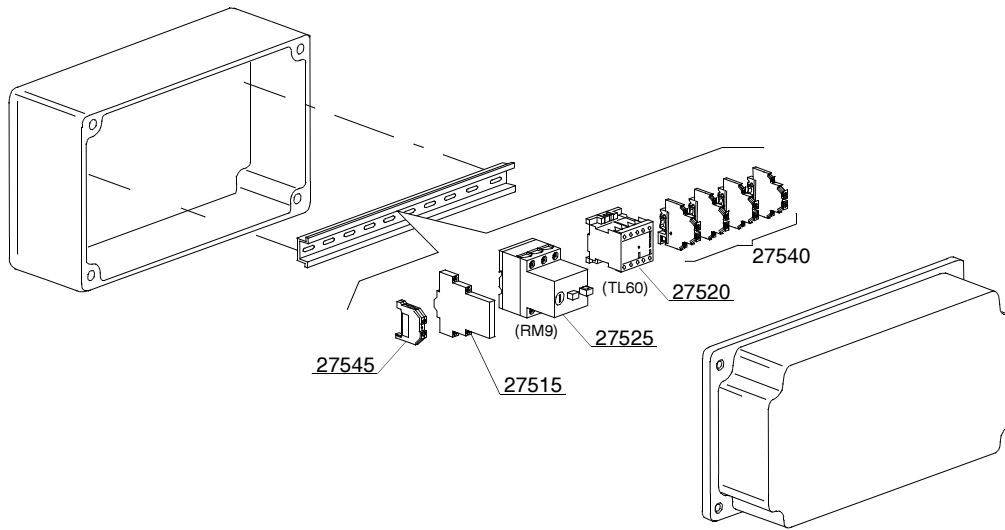
ID	P-code	Model	Type	Accessory	Voltage	Description
MODULE:Dryer motorized curve 90° - LC 97/4						
28400	3009326		34HS	974		Cover panel
28405	3009511		34HS	974		Carter



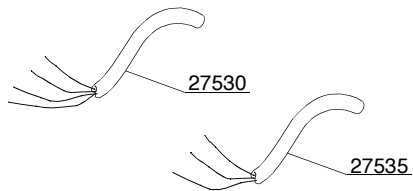
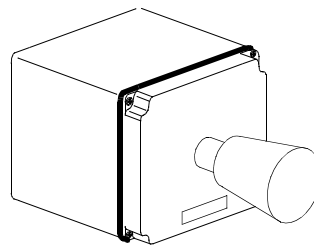
15_301_e

Spare parts

ID	P-code	Model	Type	Accessory	Voltage	Description
MODULE:Motorized curve 90° - LC 97/2: electric parts						
27400	3000264		34HS	972,974		Emergency box
27405	3000263		34HS	972,974		Emergency switch
27410	3002059		34HS	972,974		1R contact
27415	3006080		34HS	972,974		Auxiliary contact LMS25
27420	2000370		34HS	972,974		Contactore MC9
27425	2000390		34HS	972,974		Motorprotector 1 - 1.6A
27430	3006134		34HS	972,974		Flame-retardant cable 4x1,5mm
27435	3006136		34HS	972,974		Flame-retardant cable 3x1mm



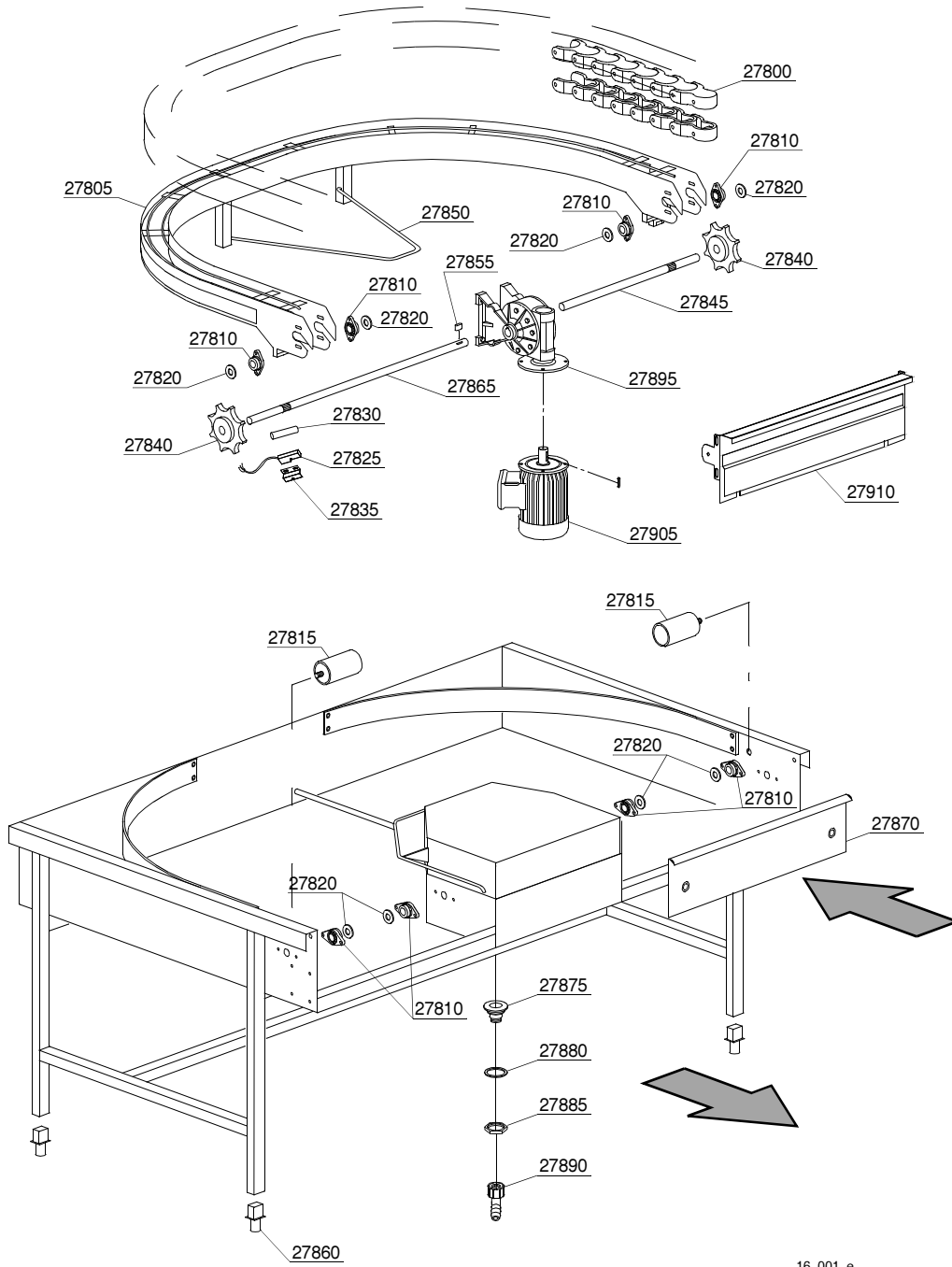
27500
27505
27510



15_302_e

Spare parts

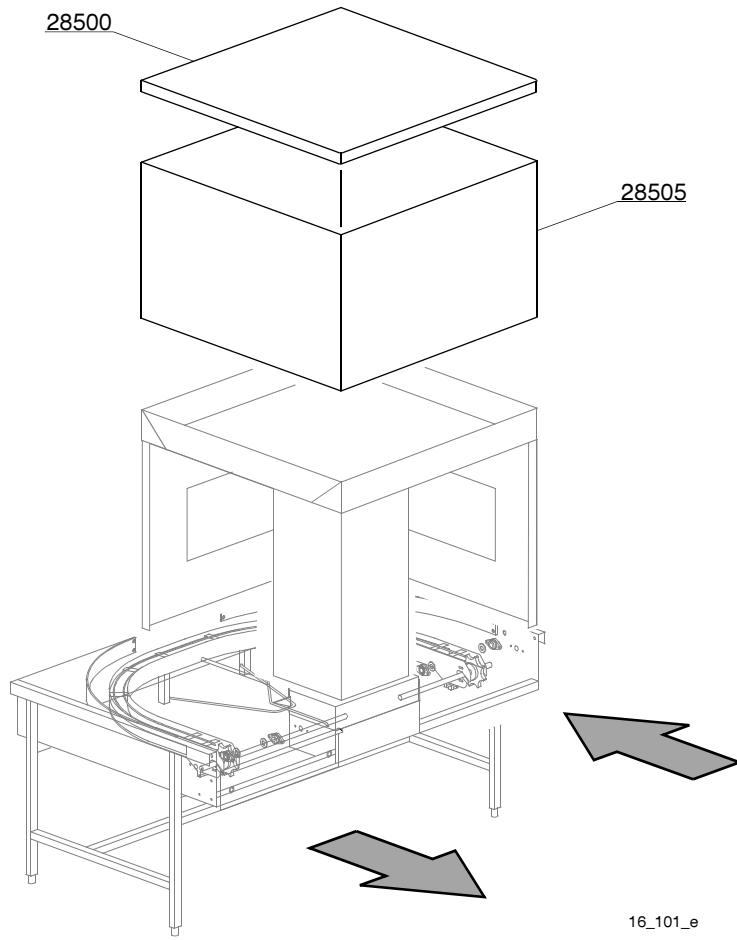
ID	P-code	Model	Type	Accessory	Voltage	Description
MODULE:Motorized curve 90° - LC 97/2: electric parts single speed - remote control						
27500	3000264		34HS	972,974		Emergency box
27505	3000263		34HS	972,974		Emergency switch
27510	3002059		34HS	972,974		1R contact
27515	3006080		34HS	972,974		Auxiliary contact LMS25
27520	2000370		34HS	972,974		Contactore MC9
27525	2000390		34HS	972,974		Motorprotector 1 - 1.6A
27530	3006134		34HS	972,974		Flame-retardant cable 4x1,5mm
27535	3006136		34HS	972,974		Flame-retardant cable 3x1mm
27540	3006092		34HS	972,974		Clamp 4mm
27545	10300401		34HS	972,974		Earth clamp 4mm



16_001_e

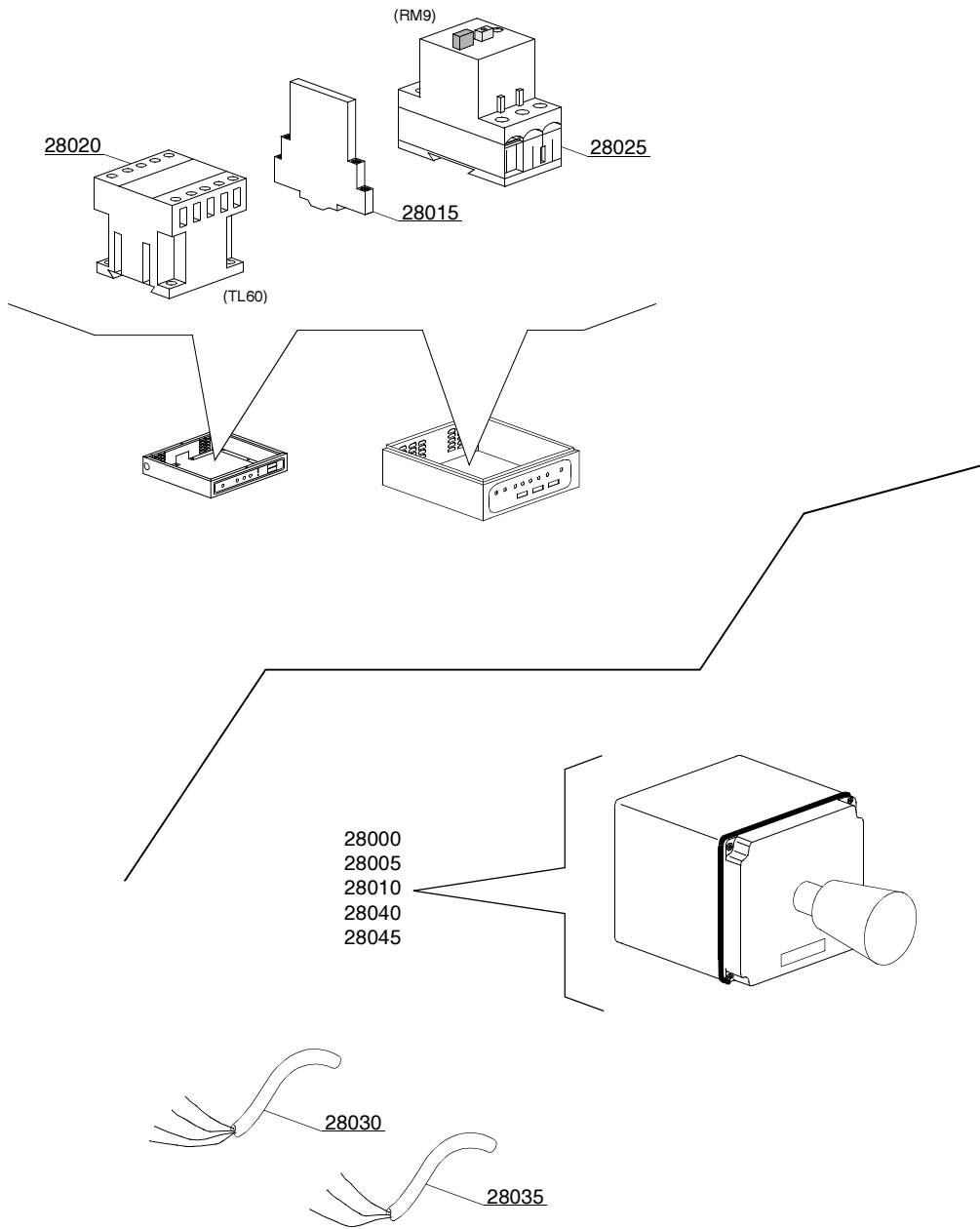
Spare parts

ID	P-code	Model	Type	Accessory	Voltage	Description
MODULE:Motorized curve 180° - LC 97/3						
27800	3000259		34HS	973,975		Chain for roller
27805	3003056		34HS	973,975		Kit guide for chain
27810	3000260		34HS	973,975		Flange for chain
27815	3000262		34HS	973,975		Ø50x80 embossment roller
27820	3003048		34HS	973,975		Spacer for bearings
27825	3003112		34HS	973,975		Door microswitch
27830	80232		34HS	973,975		Magnet for reed
27835	3009112		34HS	973,975		Holder for reed micro door
27840	3000261		34HS	973,975		8 teeth pinion
27845	3003051		34HS	973,975		Neutral shaft for chain
27850	3003053		34HS	973,975		Lifting arm for chain guide
27855	2001045		34HS	973,975		6x6x25 machine key
27860	3000252		34HS	973,975		Adjustable food
27865	3003047		34HS	973,975		Shaft for chain rotation
27870	3009609		34HS	973,975		Protection panel
27875	10200113		34HS	973,975		Floor drain
27880	10200173		34HS	973,975		75x58x2 gasket
27885	10200114		34HS	973,975		Drain floor nut
27890	15613		34HS	973,975		"1"" 1/4x30 nylon elbow"
27895	3000254		34HS	973,975		Gear right 1:100
27905	3000102		34HS	973,975	A	Conveyor motor
27905	3000251		34HS	973,975	A	Conveyor motor
27910	3009657		34HS	973,975		Adapter



Spare parts

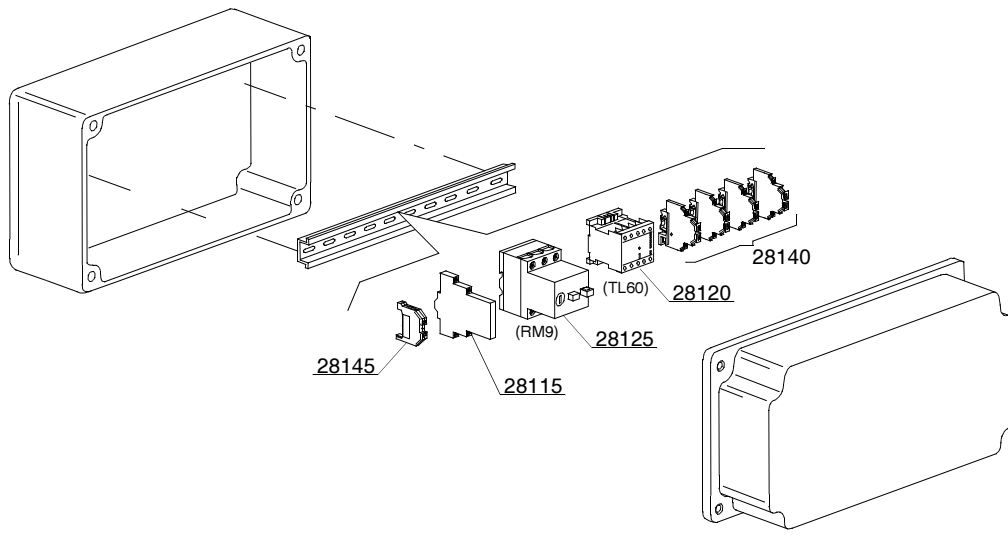
ID	P-code	Model	Type	Accessory	Voltage	Description
MODULE:Dryer motorized curve 180° - LC 97/5						
28500	3009326		34HS	975		Cover panel
28505	3009511		34HS	975		Carter



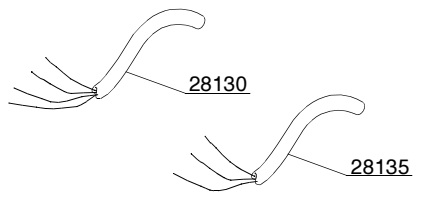
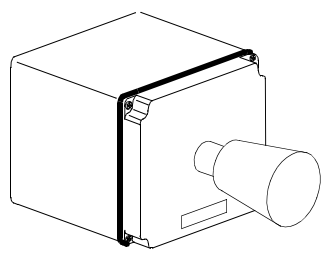
16_301_e

Spare parts

ID	P-code	Model	Type	Accessory	Voltage	Description
MODULE:Motorized curve 180° - LC 97/3: electric parts						
28000	3000264		34HS	973,975		Emergency box
28005	3000263		34HS	973,975		Emergency switch
28010	3002059		34HS	973,975		1R contact
28015	3006080		34HS	973,975		Auxiliary contact LMS25
28020	2000370		34HS	973,975		Contacto MC9
28025	2000390		34HS	973,975		Motorprotector 1 - 1.6A
28030	3006134		34HS	973,975		Flame-retardant cable 4x1,5mm
28035	3006136		34HS	973,975		Flame-retardant cable 3x1mm
28040	3000266		34HS	973,975		Male connector with support
28045	3000267		34HS	973,975		Female connector with support



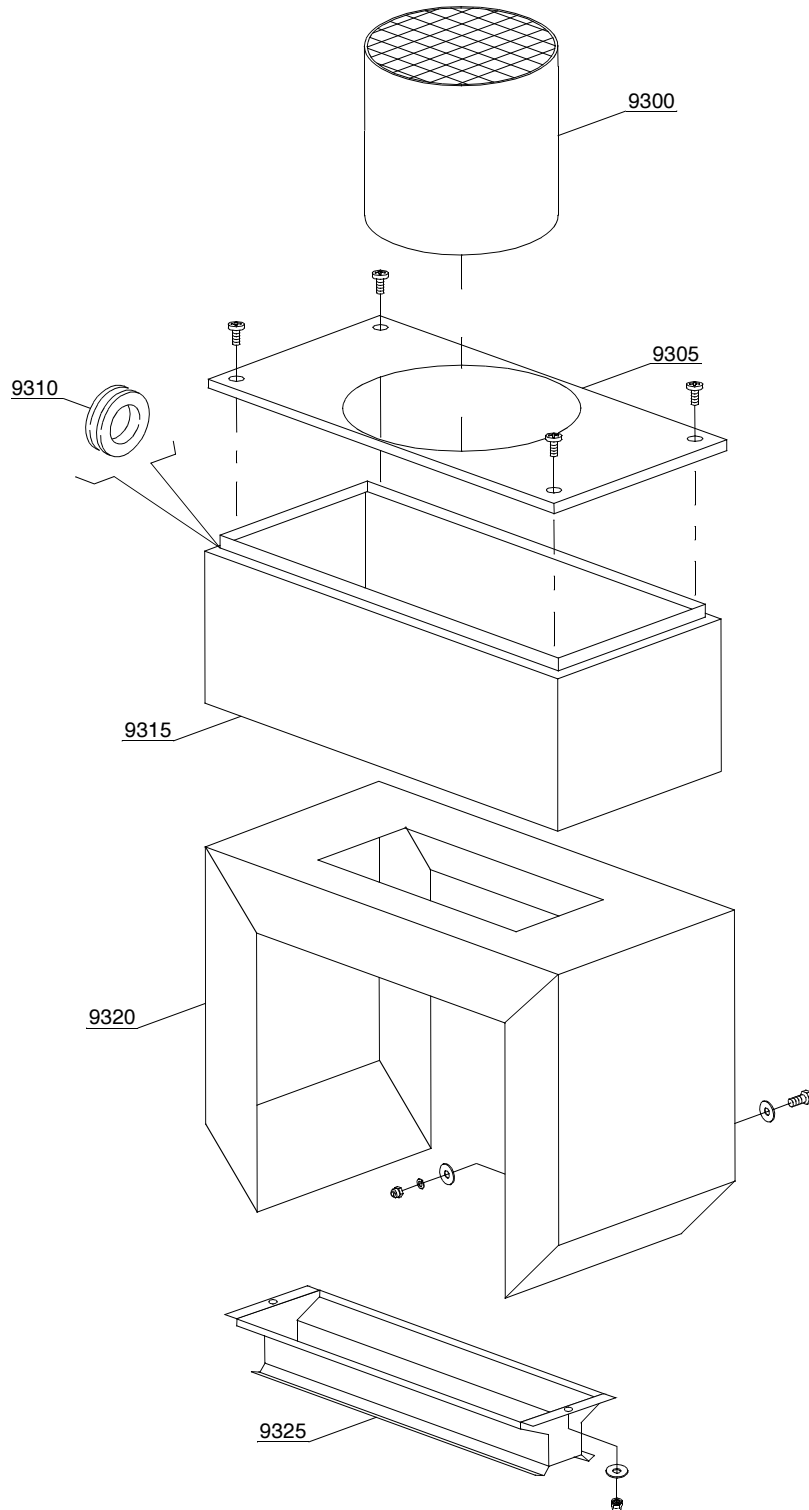
- 28100
- 28105
- 28110
- 28150
- 28155



16_302_e

Spare parts

ID	P-code	Model	Type	Accessory	Voltage	Description
MODULE:Motorized curve 180° - LC 97/3: electric parts single speed - remote control						
28100	3000264		34HS	973,975		Emergency box
28105	3000263		34HS	973,975		Emergency switch
28110	3002059		34HS	973,975		1R contact
28115	3006080		34HS	973,975		Auxiliary contact LMS25
28120	2000370		34HS	973,975		Contacteur MC9
28125	2000390		34HS	973,975		Motorprotector 1 - 1.6A
28130	3006134		34HS	973,975		Flame-retardant cable 4x1,5mm
28135	3006136		34HS	973,975		Flame-retardant cable 3x1mm
28140	3006092		34HS	973,975		Clamp 4mm
28145	10300401		34HS	973,975		Earth clamp 4mm
28150	3000266		34HS	973,975		Male connector with support
28155	3000267		34HS	973,975		Female connector with support

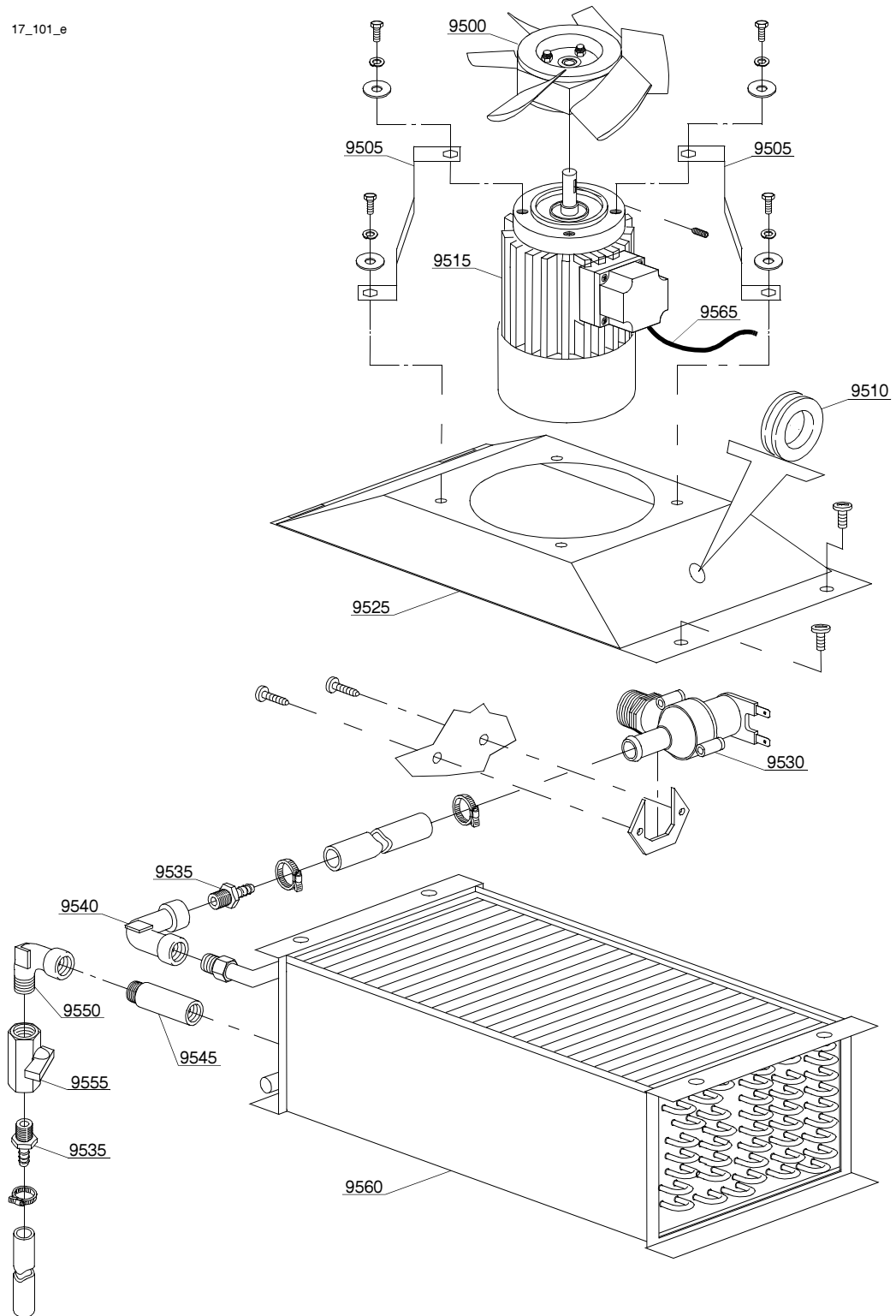


17_001_e

Spare parts

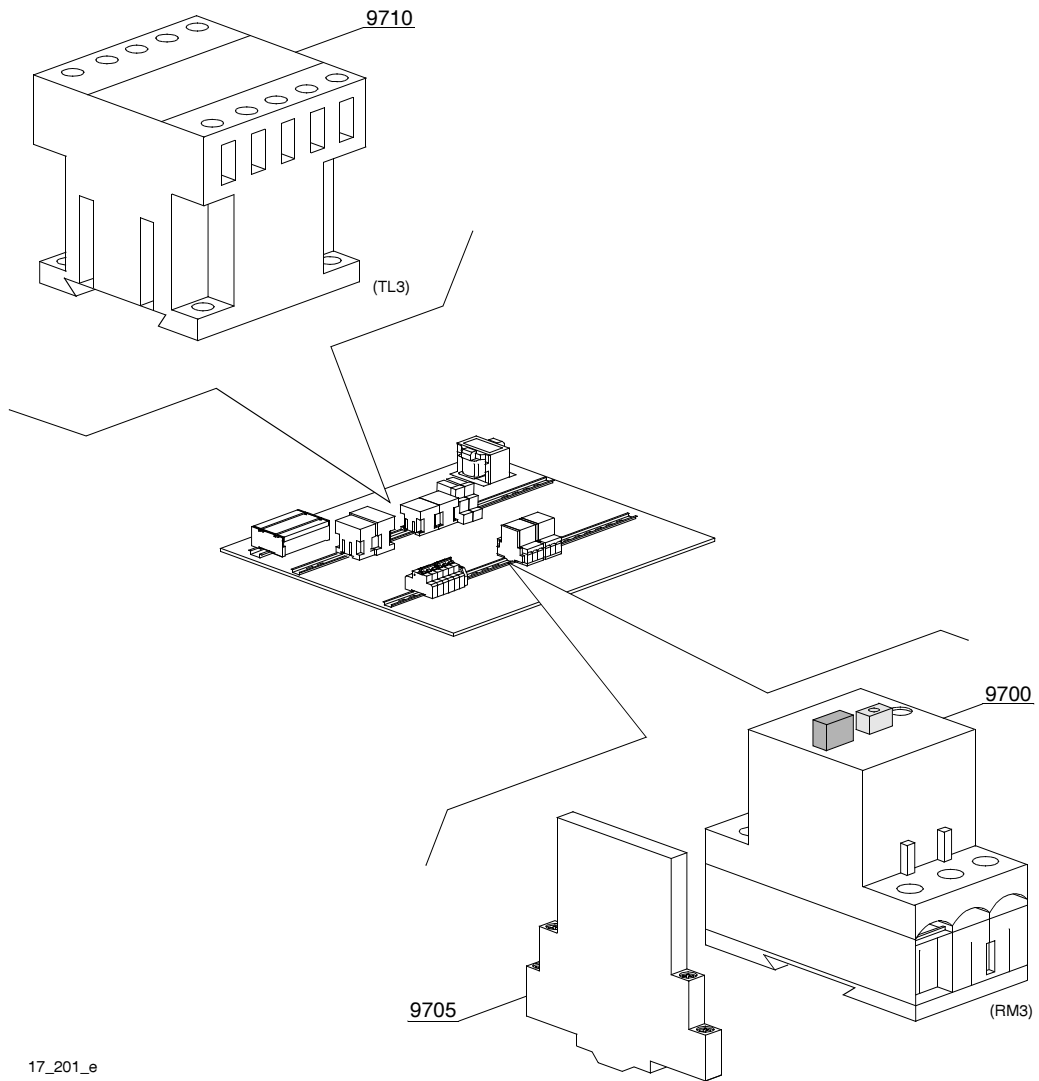
ID	P-code	Model	Type	Accessory	Voltage	Description
MODULE:Steam condenser - part 1						
9300	3009573		34HS	sc8		Chimney
9305	3009472		34HS	sc8		Cover with hole
9310	13329		34HS	sc8		Fairlead
9315	3009577		34HS	sc8		Complete body
9320	3009579		34HS	sc8		Jet top
9325	3009543		34HS	sc8		Suction group

17_101_e



Spare parts

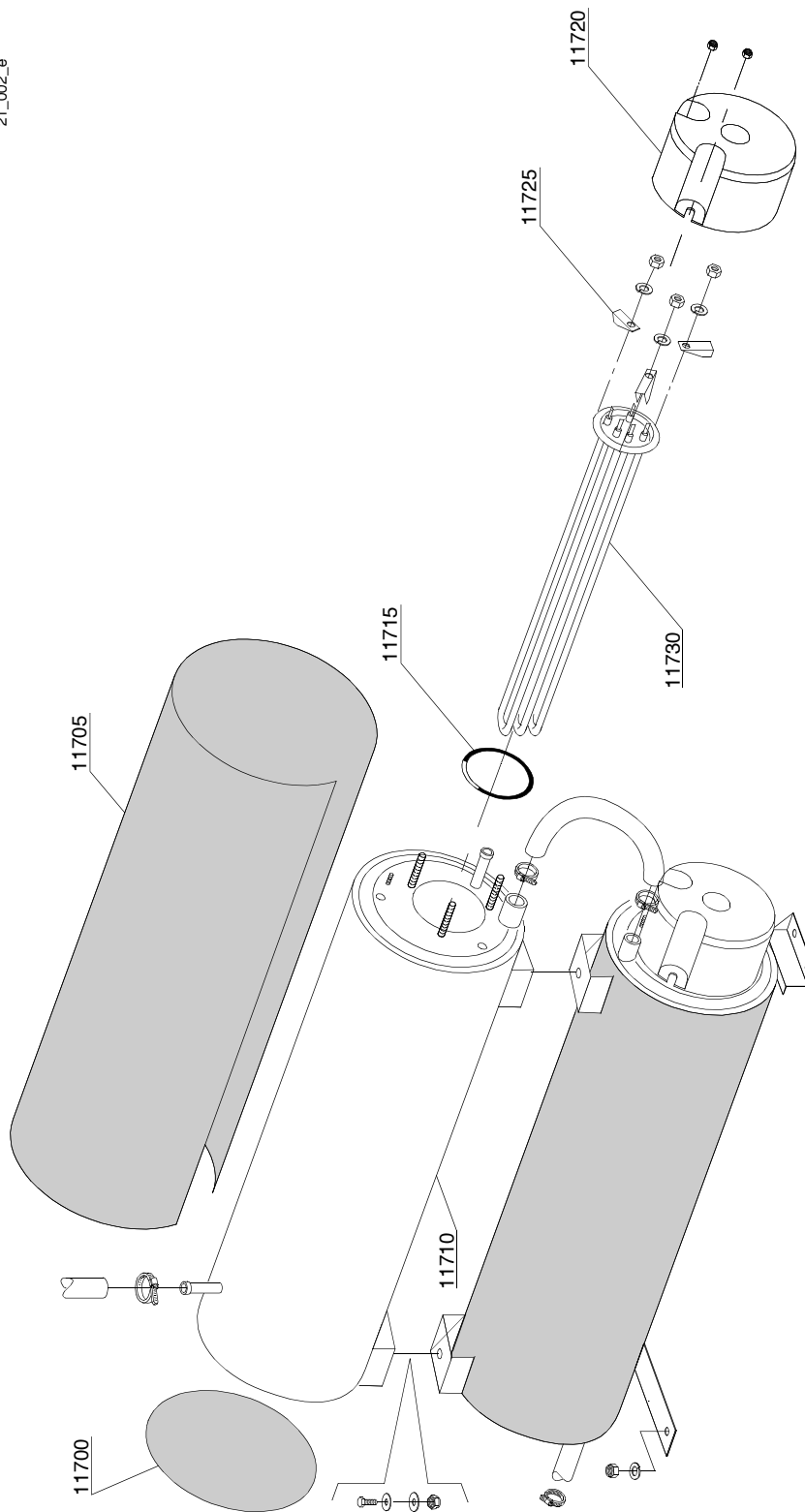
ID	P-code	Model	Type	Accessory	Voltage	Description
MODULE:Steam condenser - part 2						
9500	3000124		34HS	sc8		Impeller fan
9505	3009551		34HS	sc8		Motor holder
9510	13329		34HS	sc8		Fairlead
9515	3000123		34HS	sc8	A	Motor 0.12KW
9525	3009583		34HS	sc8		Steam condenser base
9530	2000093		34HS	sc8		Sigle solenoid valve
9535	12023		34HS	sc8		Hose holder
9540	3002139		34HS	sc8		Elbow
9545	3002176		34HS	sc8		Extension
9550	12035		34HS	sc8		Elbow
9555	3002140		34HS	sc8		Tap
9560	3000155		34HS	sc8		Heating recovery battery
9565	15184		34HS	sc8		Cable



17_201_e

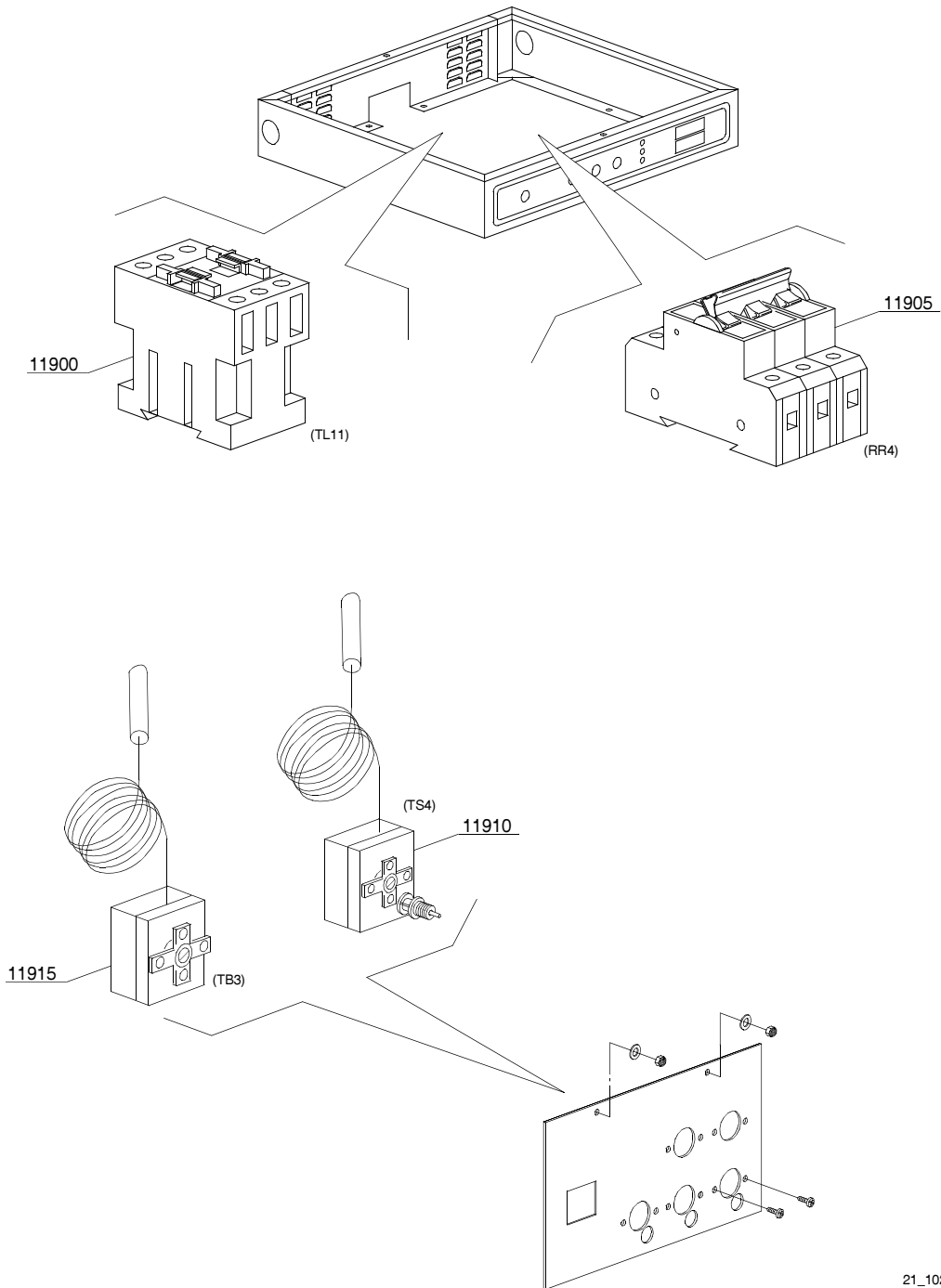
ID	P-code	Model	Type	Accessory	Voltage	Description
MODULE:Steam condenser - part 3						
9700	2000390		34HS	sc8	A	Motorprotector 1 - 1.6A
9705	3006080		34HS	sc8	A	Auxiliary contact LMS25
9710	2000370		34HS	sc8	A	Contactor MC9

21_002_e



Spare parts

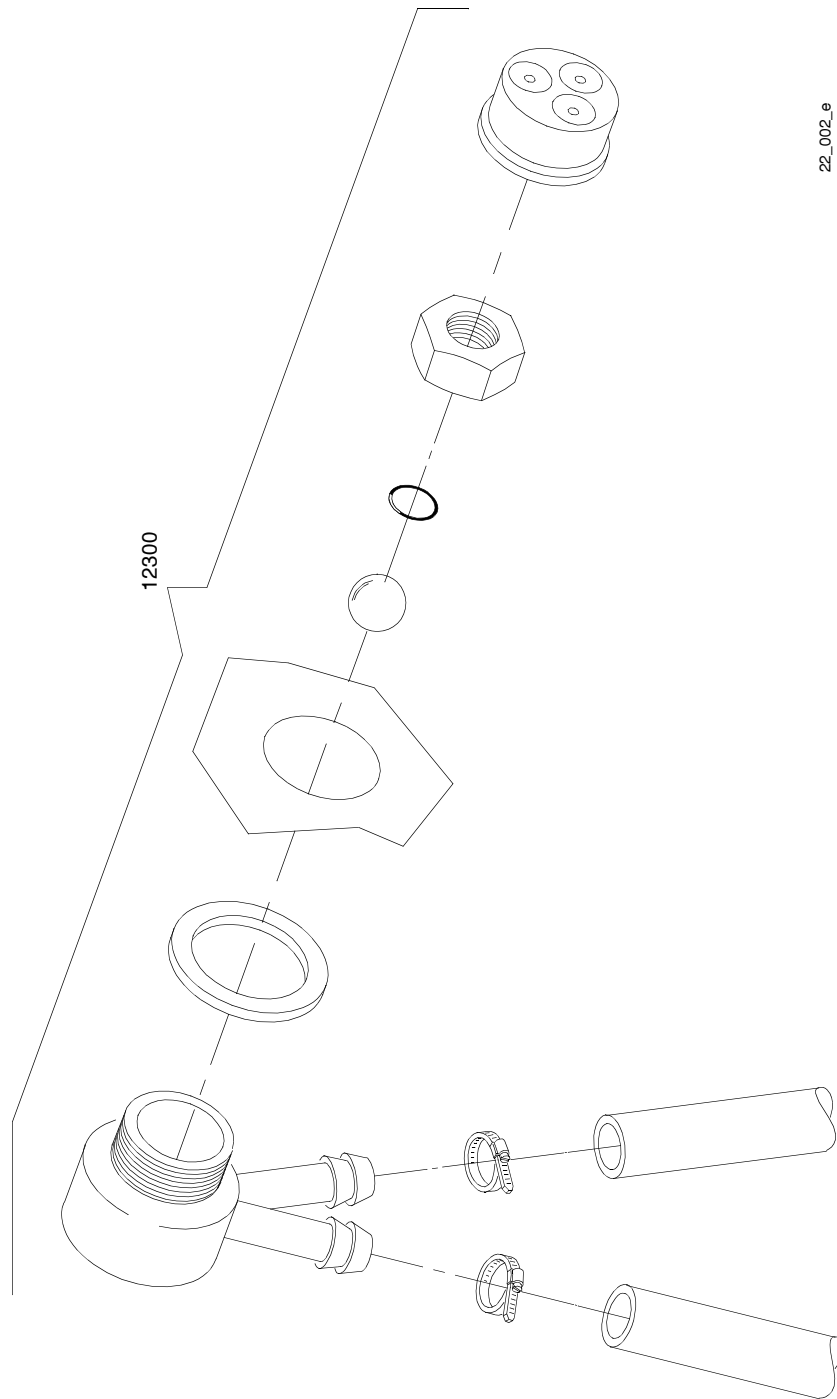
ID	P-code	Model	Type	Accessory	Voltage	Description
MODULE:Additional boiler components						
11700	75205		34HS	cw		Bottom boiler insulating
11705	30002030		34HS	cw		Boiler insulating
11710	3007013		34HS	cw		Boiler
11715	13015		34HS	cw		O-ring 160 (6225)
11720	75311		34HS	cw		Heating element cover
11725	16045		34HS	cw		Heating element support Ø6,3
11730	30001011		34HS	cw	A	Heating element 9kW
11730	30001011/A		34HS	cw	A	Heating element 12kW
11730	30001011/B		34HS	cw	A	Heating element 14kW



21_102_e

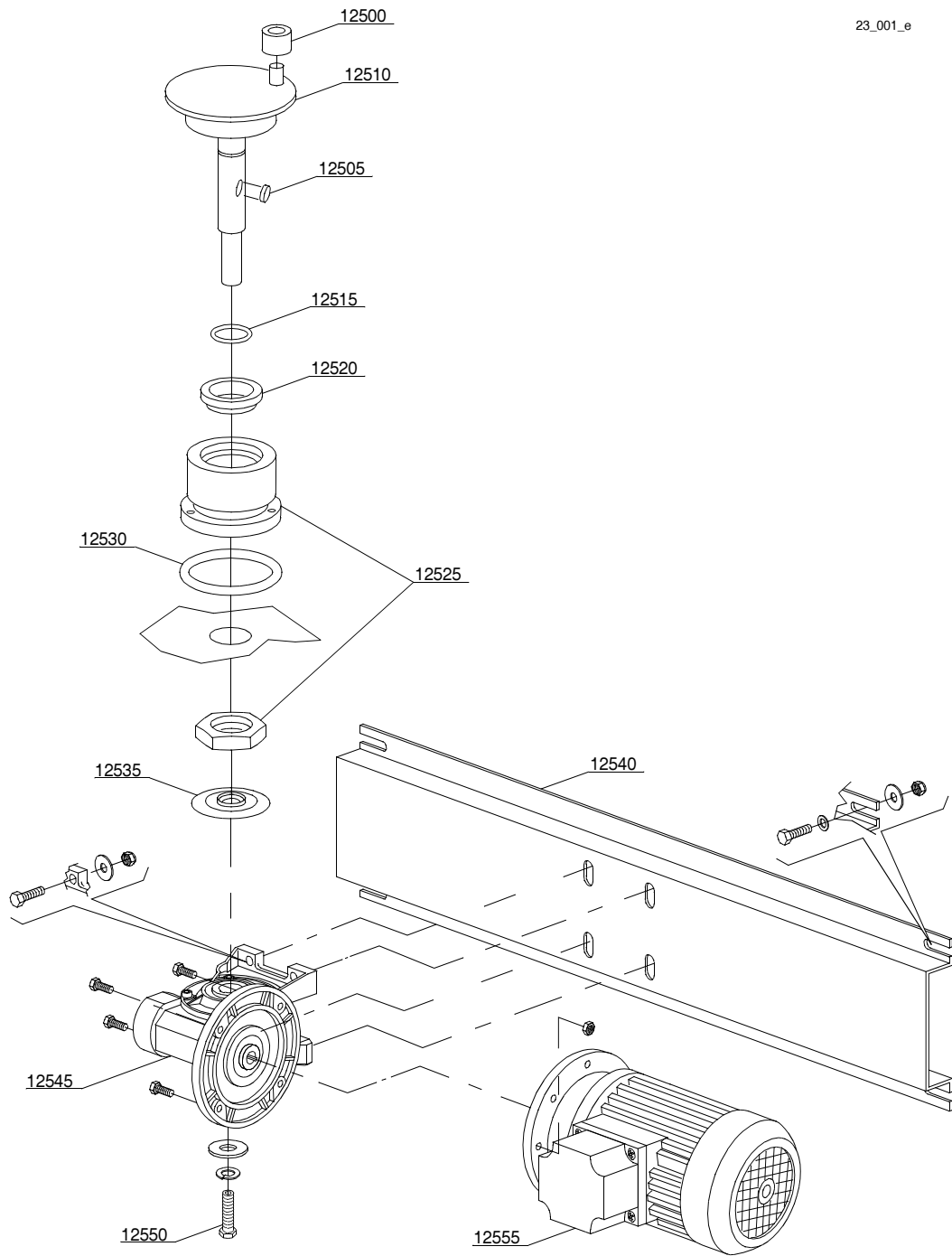
Spare parts

ID	P-code	Model	Type	Accessory	Voltage	Description
MODULE:Additional boiler: electrical components						
11900	2000380		34HS	cw	A	Contactora BF12 (heating element < 9 kW)
11900	2000385		34HS	cw	A	Contactora BF20 (heating element > 9 kW)
11905	2000403		34HS	cw	A	Automatic fuse C20 (heating element < 9 kW)
11905	2000404		34HS	cw	A	Automatic fuse C25 (heating element > 9 kW)
11910	2000430		34HS	cw		Safety thermostat
11915	10707/1		34HS	cw		Thermostat 0 - 90° (TB2)



Spare parts

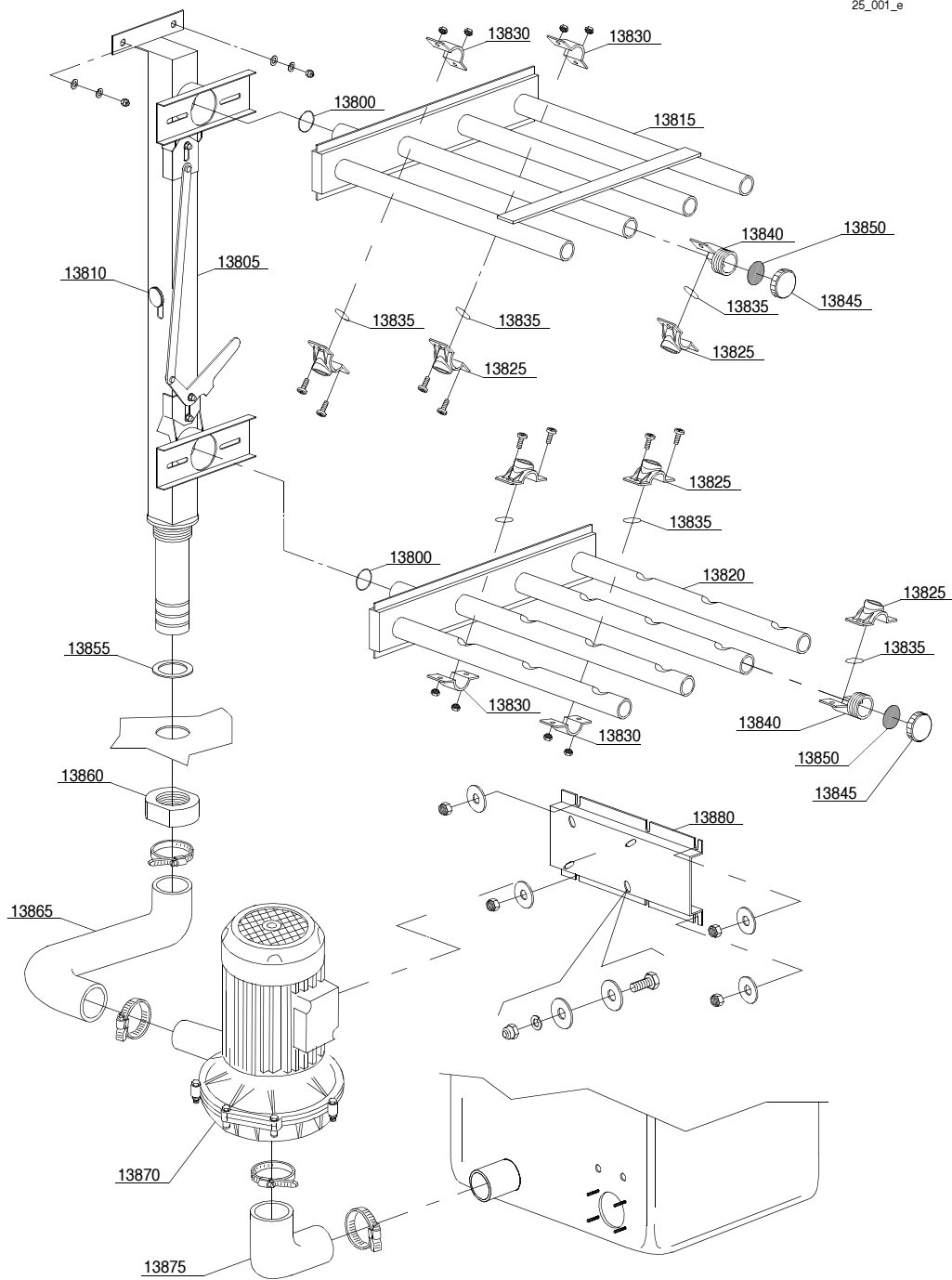
ID	P-code	Model	Type	Accessory	Voltage	Description
MODULE:DVGW valve						
12300	999900006		34HS	dvgw		DVGW valvola assembly



Spare parts

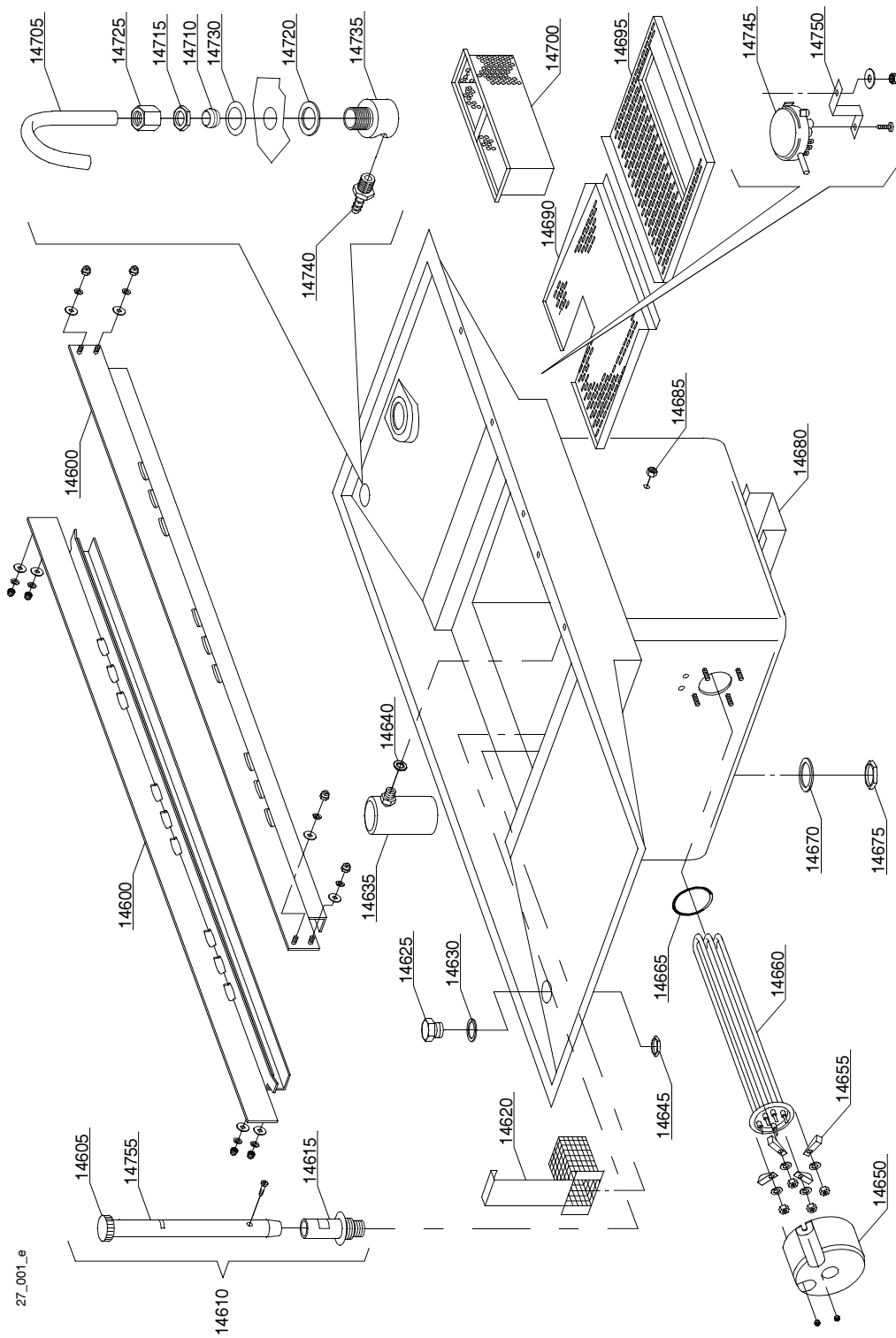
ID	P-code	Model	Type	Accessory	Voltage	Description
MODULE:Motorgear components						
12500	3003012		34HS			Conveyor roller
12505	2001046		34HS			Key
12510	3003116		34HS			Crank shaft
12515	13023		34HS			O-ring 131 (4093)
12520	13024		34HS			Oil splash guard DEM 40 TC 30x42x7 with spring
12525	3004132		34HS			Coupling part serie
12530	13015		34HS			O-ring 160 (6225)
12535	3004161		34HS			Protection disk
12540	3009060		34HS			Motorgear support
12545	3000214		34HS			Gear right 1:45
12545	3000215		34HS			Gear left 1:45
12550	11165		34HS			Screw
12555	3000110		34HS		A	Conveyor motor

25_001_e

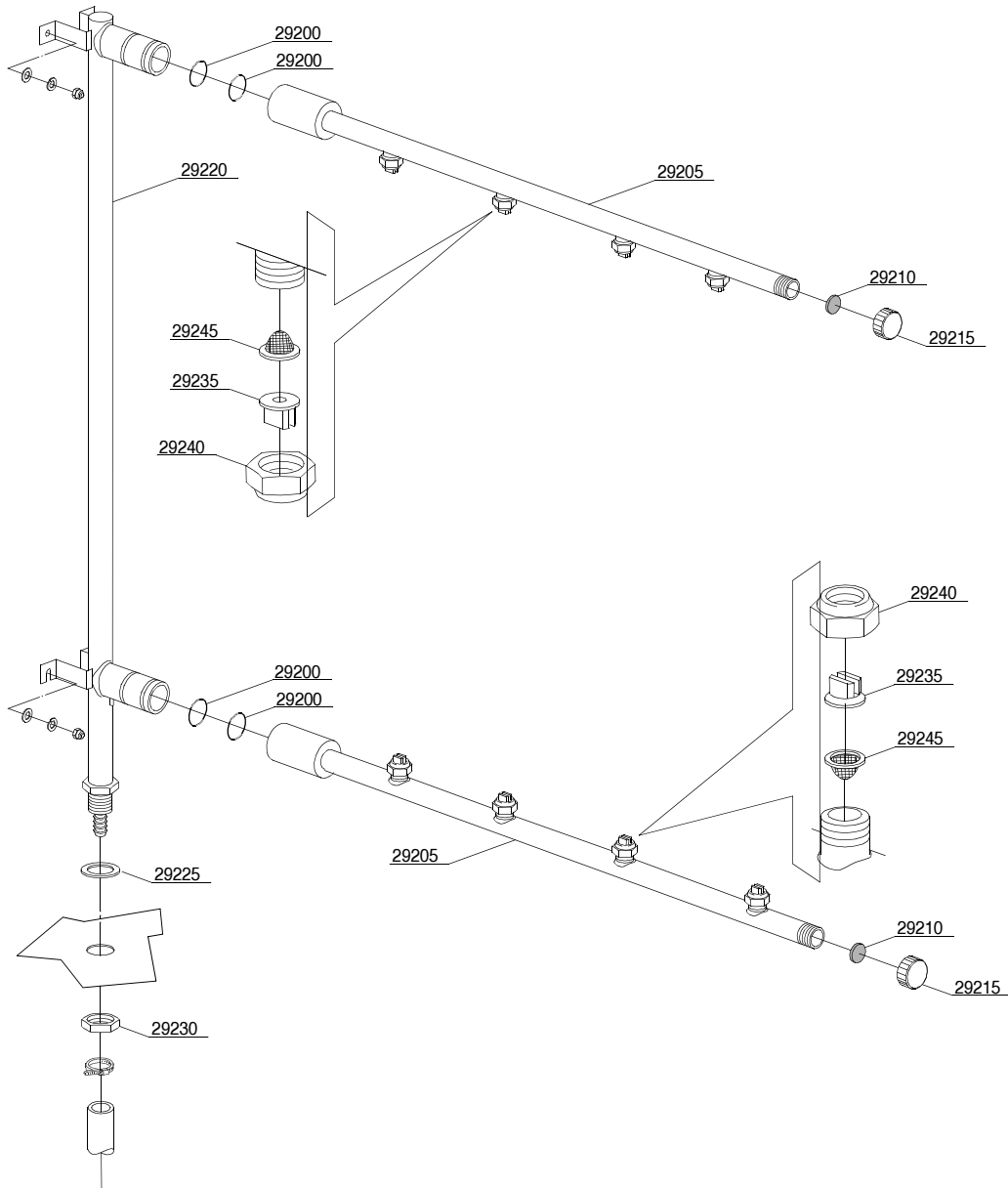


Spare parts

ID	P-code	Model	Type	Accessory	Voltage	Description
MODULE:Washing components 4+4						
13800	13019		34HS			O-Ring 140 (4137)
13805	3004112		34HS			Wash ramp
13810	15207		34HS			Water flow adjuster
13815	3004113		34HS			Top wash group
13820	3004114		34HS			Lower wash group
13825	80300		34HS			Wash nozzle
13830	80301		34HS			Nozzle counterpart
13835	80302		34HS			O-ring
13840	80303		34HS			Collar
13845	80304		34HS			Arm plug
13850	80305		34HS			Gasket
13855	10200173/A		34HS			Gasket 75x58x3
13860	10600012		34HS			Flat nut
13865	3004083		34HS			Elbow coupling, press.
13870	22037		34HS		A	Pump 1.5 kW
13870	22037/3		34HS		H	Pump 1.5 kW - 60 Hz
13875	3002020		34HS			Suction elbow coupling
13880	3009148		34HS			Pump support

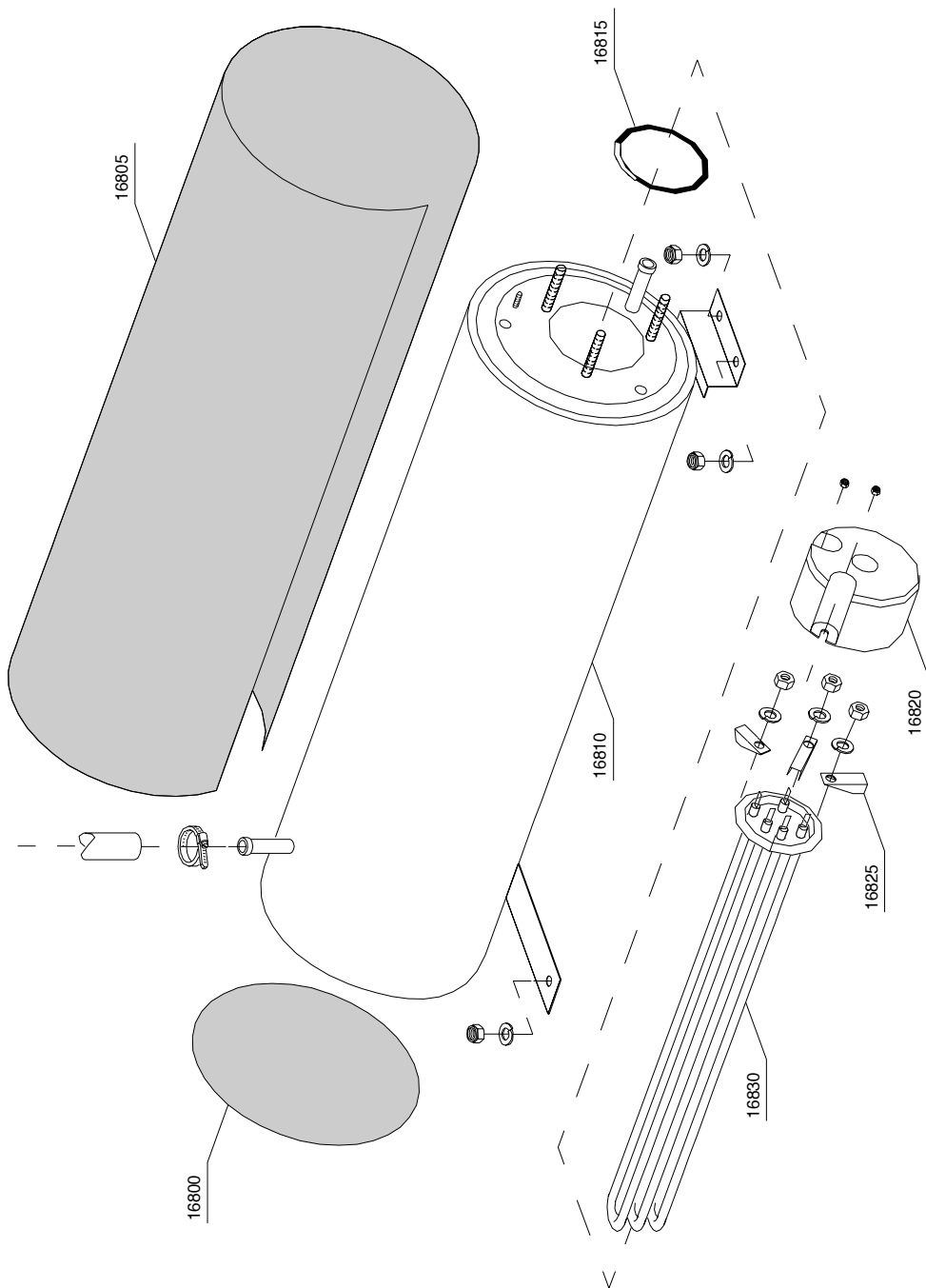


28_004_e



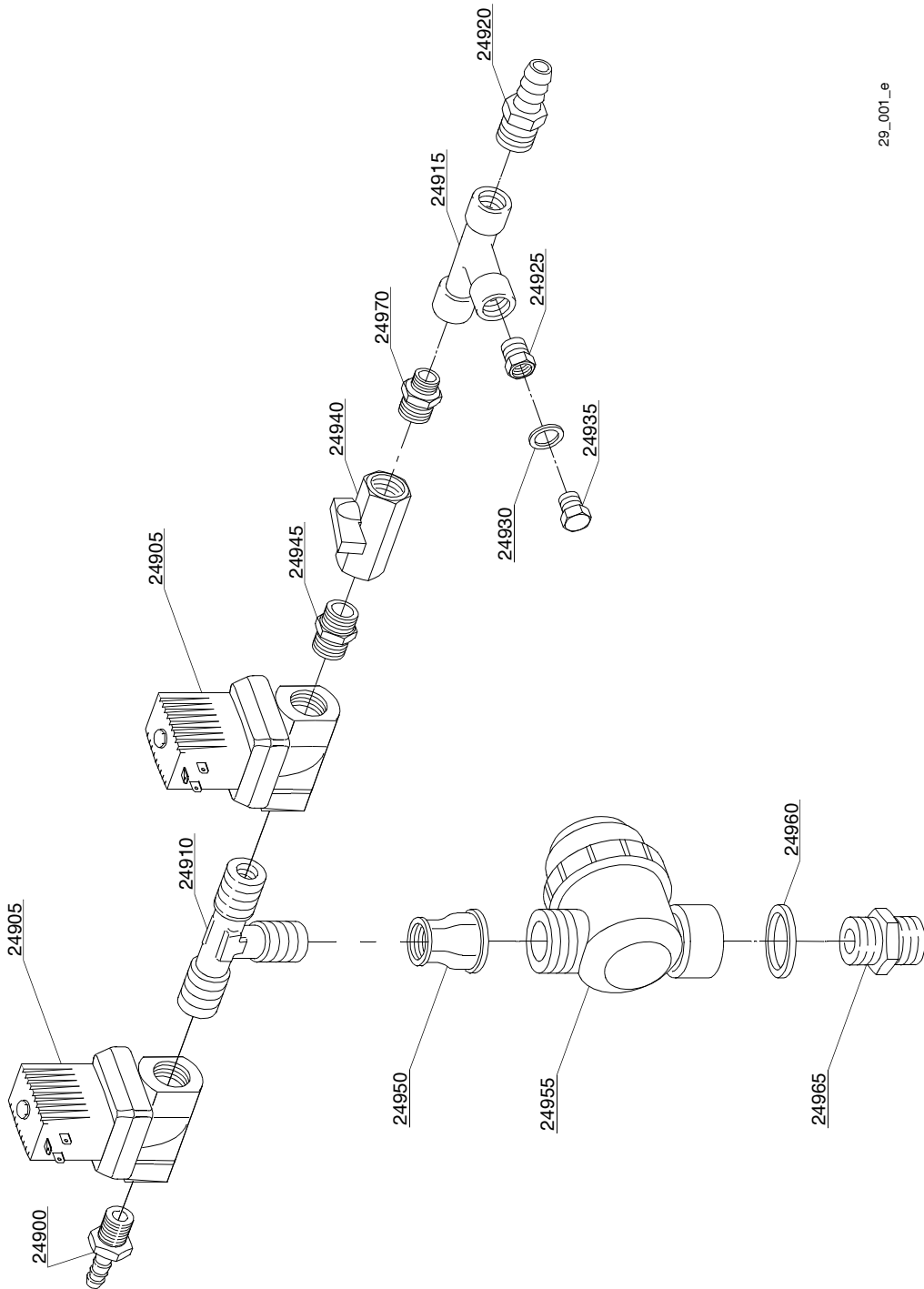
Spare parts

ID	P-code	Model	Type	Accessory	Voltage	Description
MODULE:Rinsing components						
29200	13025		34HS			O-ring 2081
29205	3003080		34HS			Rinsing arm 4n
29210	2002051		34HS			Gasket EPDM 17.5x1.5
29215	2002054		34HS			Plug for arm
29220	3003950		34HS			Rinsing ramp
29220	3003954		34HS			Rinsing ramp
29225	13326		34HS			Gasket 38x27x2
29230	2200103		34HS			Nut
29235	2200114		34HS			Nozzle
29240	2200116		34HS			Nut
29245	2200117		34HS			Filter



28_201_e

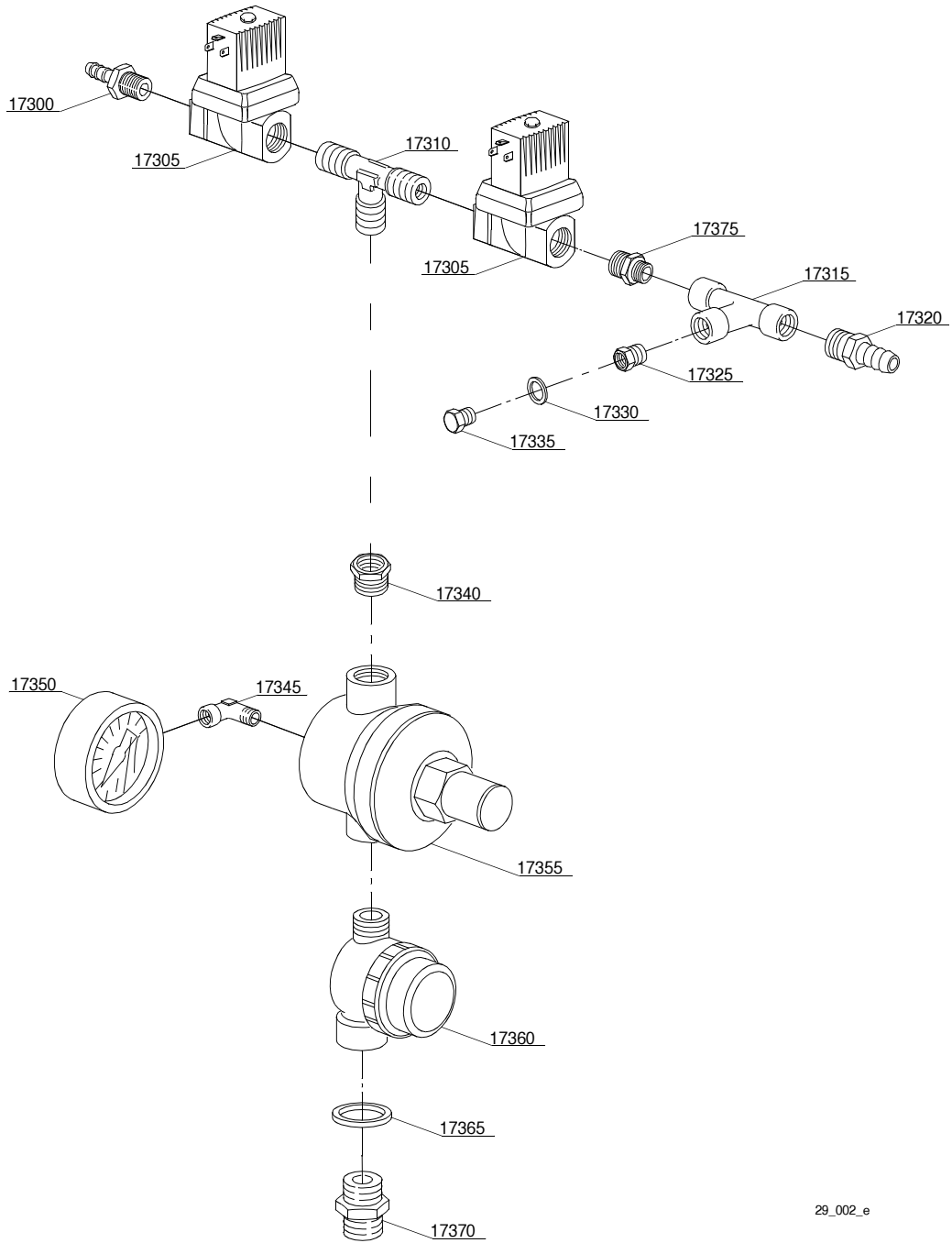
ID	P-code	Model	Type	Accessory	Voltage	Description
MODULE:Boiler components						
16800	75205		34HS			Bottom boiler insulating
16805	30002030		34HS			Boiler insulating
16810	3007014		34HS			Boiler
16810	3007012		34HS	cw		Boiler
16815	13015		34HS			O-ring 160 (6225)
16820	75311		34HS			Heating element cover
16825	16045		34HS			Heating element support Ø6.3
16830	30001011		34HS		A	Heating element 9kW
16830	30001011/A		34HS		A	Heating element 12kW
16830	30001011/B		34HS		A	Heating element 14kW



29_001_e

Spare parts

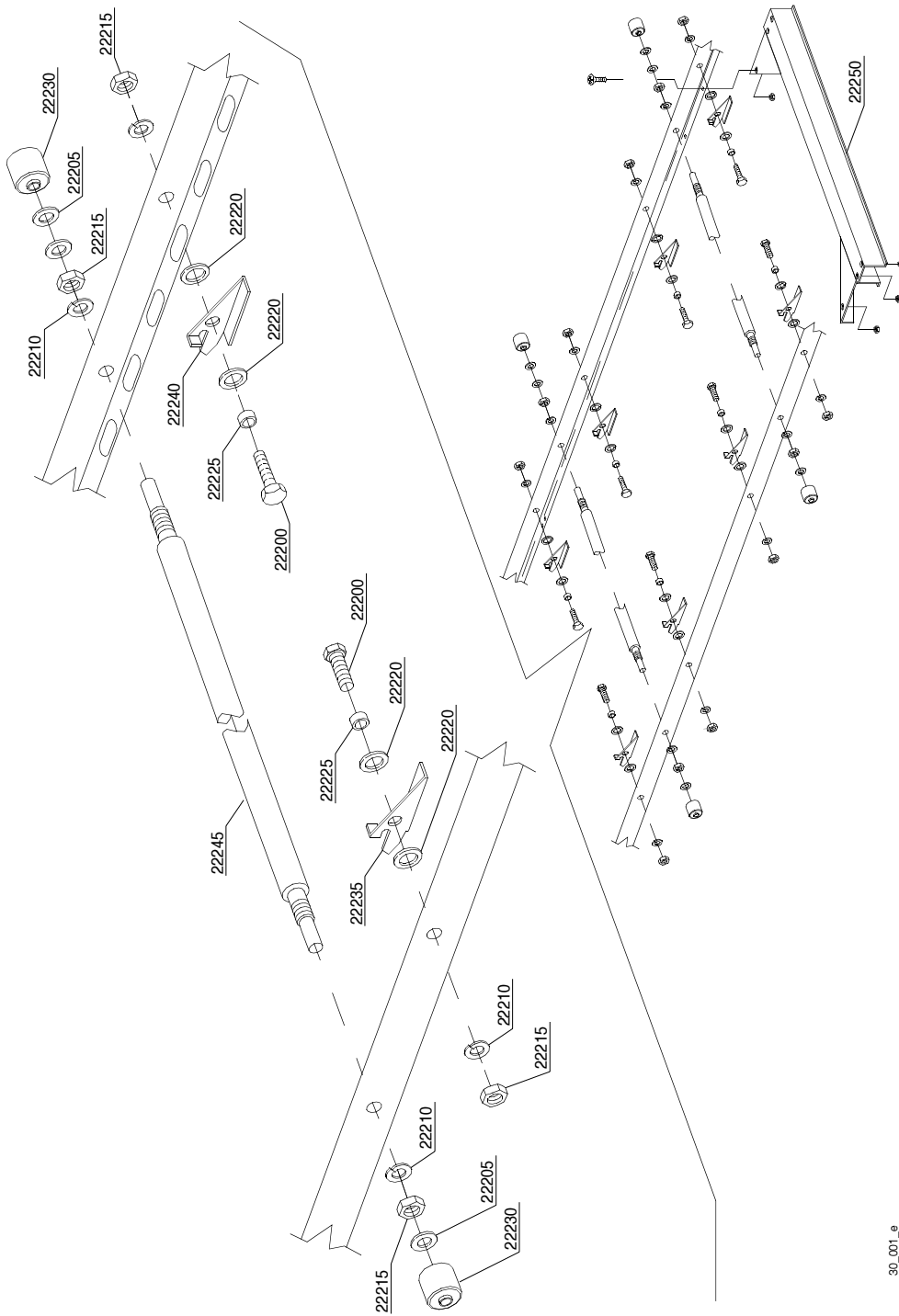
ID	P-code	Model	Type	Accessory	Voltage	Description
MODULE:Solenoid valves components						
24900	12023		34HS			Hose holder
24905	3002030		34HS			Solenoid valve
24910	12022		34HS			Union tee
24915	12008		34HS			Connection T
24920	12005		34HS			Hose holder
24925	12032		34HS			Reduction nipples
24930	13309		34HS			Gasket 14x10x1.5
24935	12002		34HS			Plug
24940	3002140		34HS			Tap
24945	12027		34HS			Nipples
24950	12026		34HS			Reduction nipples
24955	2000121		34HS			Filter
24960	13326		34HS			Gasket 38x27x2
24965	12025		34HS			Nipples
24970	12033		34HS			Nipples
MODULE:Solenoid valves components						
24900	12023		34HS	sc8,d8		Hose holder
24905	3002030		34HS	sc8,d8		Solenoid valve
24910	12022		34HS	sc8,d8		Union tee
24915	12008		34HS	sc8,d8		Connection T
24920	12005		34HS	sc8,d8		Hose holder
24925	12032		34HS	sc8,d8		Reduction nipples
24930	13309		34HS	sc8,d8		Gasket 14x10x1.5
24935	12002		34HS	sc8,d8		Plug
24940	3002140		34HS	sc8,d8		Tap
24945	12027		34HS	sc8,d8		Nipples
24950	12026		34HS	sc8,d8		Reduction nipples
24955	2000121		34HS	sc8,d8		Filter
24960	13326		34HS	sc8,d8		Gasket 38x27x2
24965	12025		34HS	sc8,d8		Nipples
24970	12033		34HS	sc8,d8		Nipples



29_002_e

Spare parts

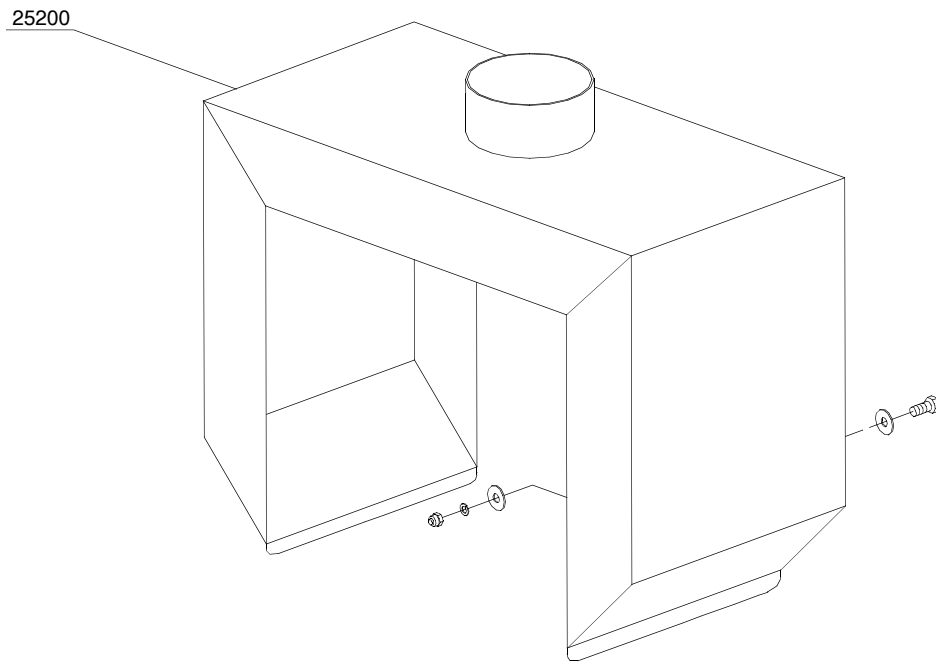
ID	P-code	Model	Type	Accessory	Voltage	Description
MODULE:Solenoid valves components with adjusting flow						
17300	12023		34HS	wfa		Hose holder
17305	3002030		34HS	wfa		Solenoid valve
17310	12022		34HS	wfa		Union tee
17315	12008		34HS	wfa		Connection T
17320	12005		34HS	wfa		Hose holder
17325	12032		34HS	wfa		Reduction nipples
17330	13309		34HS	wfa		Gasket 14x10x1.5
17335	12002		34HS	wfa		Plug
17340	12024		34HS	wfa		Reduction nipples
17345	12012		34HS	wfa		Elbow
17350	2000244		34HS	wfa		Pressure reduction gauge
17355	2000364		34HS	wfa		Pressure reduction valve
17360	2000121		34HS	wfa		Filter
17365	13326		34HS	wfa		Gasket 38x27x2
17370	12025		34HS	wfa		Nipples
17375	12033		34HS	wfa		Nipples
MODULE:Solenoid valves components						
17300	12023		34HS	sc8,d8,wfa		Hose holder
17305	3002030		34HS	sc8,d8,wfa		Solenoid valve
17310	12022		34HS	sc8,d8,wfa		Union tee
17315	12008		34HS	sc8,d8,wfa		Connection T
17320	12005		34HS	sc8,d8,wfa		Hose holder
17325	12032		34HS	sc8,d8,wfa		Reduction nipples
17330	13309		34HS	sc8,d8,wfa		Gasket 14x10x1.5
17335	12002		34HS	sc8,d8,wfa		Plug
17340	12024		34HS	sc8,d8,wfa		Reduction nipples
17345	12012		34HS	sc8,d8,wfa		Elbow
17350	2000244		34HS	sc8,d8,wfa		Pressure reduction gauge
17355	2000364		34HS	sc8,d8,wfa		Pressure reduction valve
17360	2000121		34HS	sc8,d8,wfa		Filter
17365	13326		34HS	sc8,d8,wfa		Gasket 38x27x2
17370	12025		34HS	sc8,d8,wfa		Nipples
17375	12033		34HS	sc8,d8,wfa		Nipples



30_001_e

Spare parts

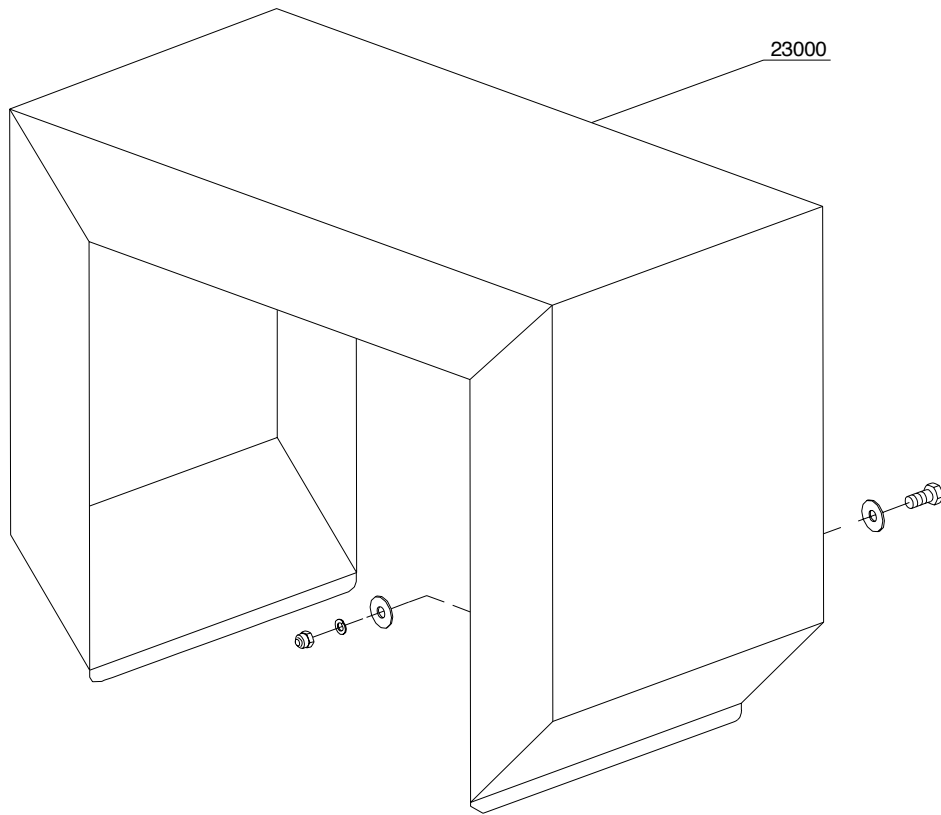
ID	P-code	Model	Type	Accessory	Voltage	Description
MODULE:Conveyor parts						
22200	11109		34HS			Screw
22205	11185		34HS			Washer
22210	11609		34HS			Split washer
22215	11719		34HS			Nut
22220	3003024		34HS			Washer
22225	3003025		34HS			Bush
22230	3003026		34HS			Bush
22235	3003100		34HS			Clip right
22240	3003101		34HS			Clip left
22245	3003010		34HS			Axis
22250	3009107		34HS			Guide



31_001_e

Spare parts

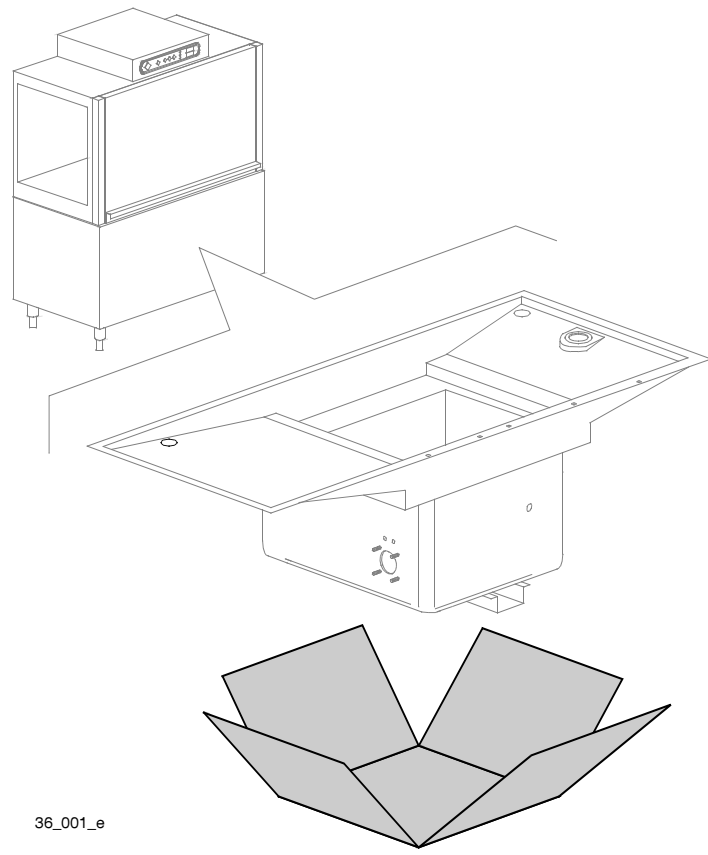
ID	P-code	Model	Type	Accessory	Voltage	Description
MODULE: Splash zone with cilinder - LC84						
25200	999910084		34HS	szc8		Splash zone with cilinder LC84



34_001_e

Spare parts

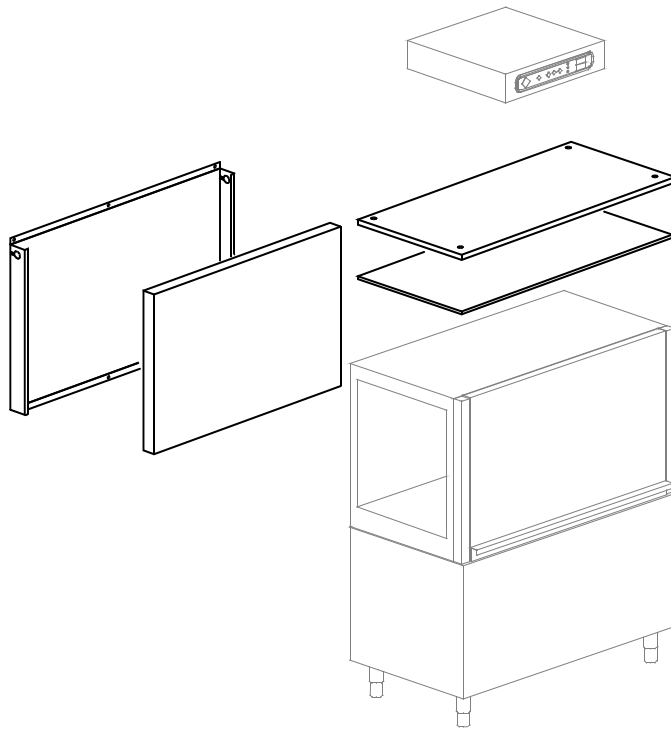
ID	P-code	Model	Type	Accessory	Voltage	Description
MODULE: Splash zone - LC83						
23000	999910083		34HS	sz8		Splash zone



36_001_e

Spare parts

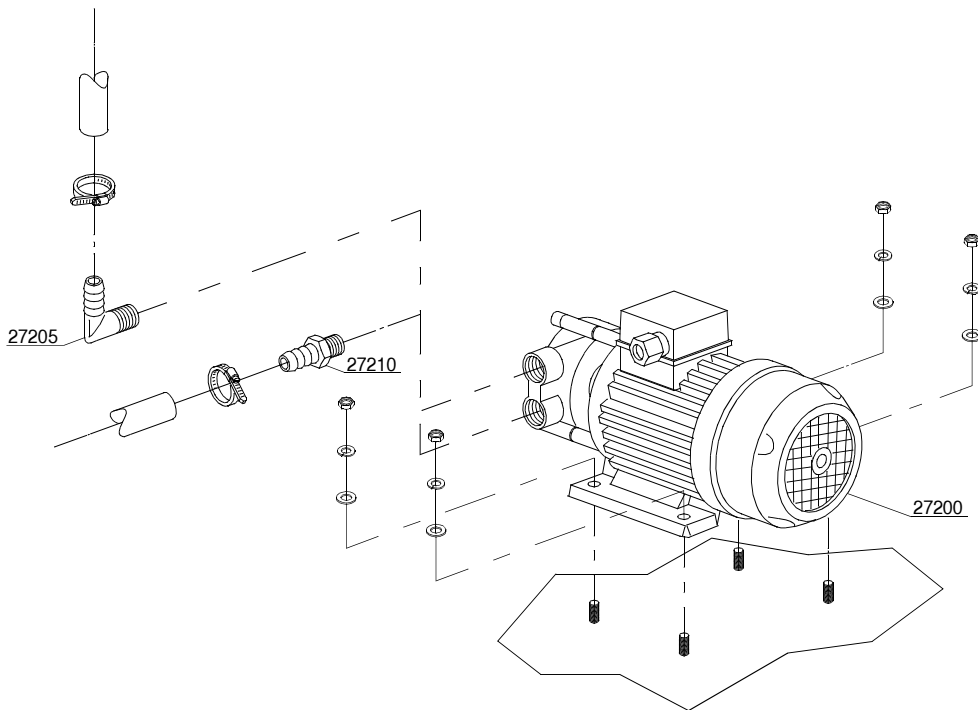
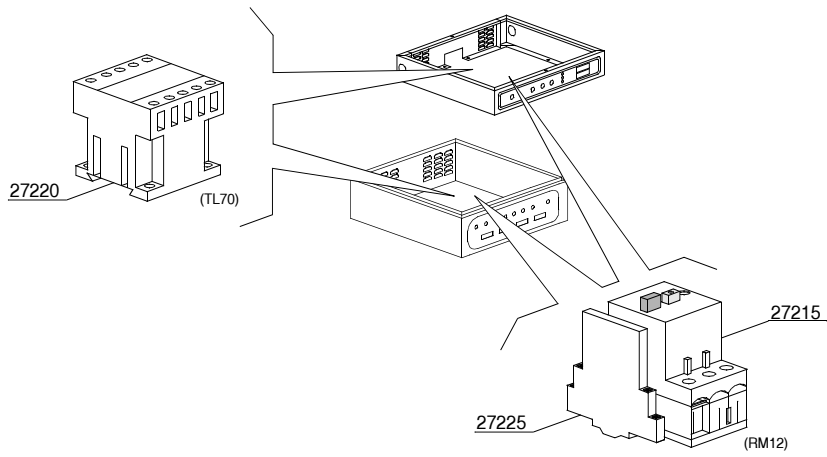
ID	P-code	Model	Type	Accessory	Voltage	Description
MODULE:Tank insulation						
	999910207		34HS	ti		Tank insulation
N.B.: kit suppliable only togeter with the machine, not after						



37_001_e

Spare parts

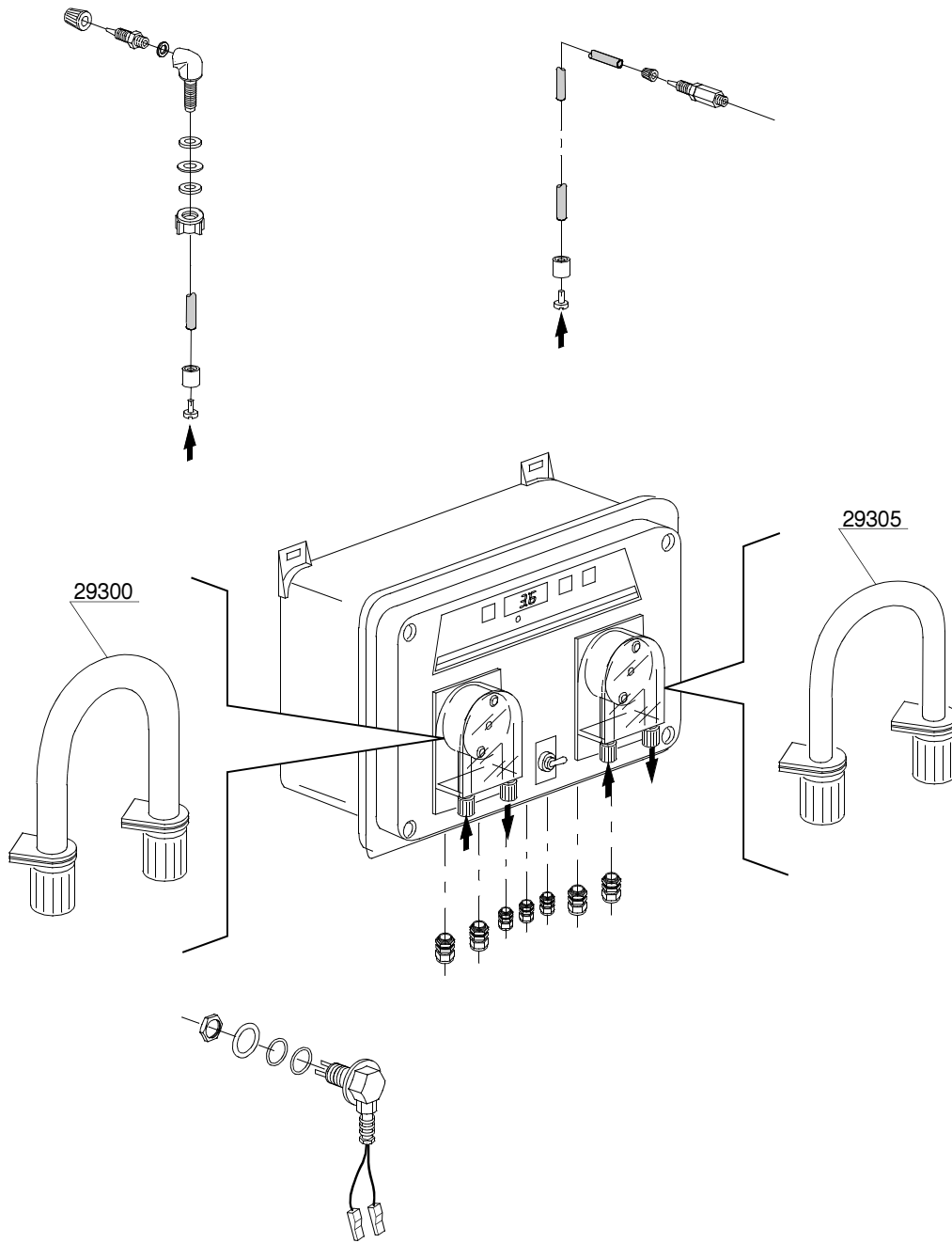
ID	P-code	Model	Type	Accessory	Voltage	Description
MODULE:Double skin						
	999910206		34HS	ds		Double skin assembly
N.B.: kit suppliable only together with the machine, not after						



38_001_e

Spare parts

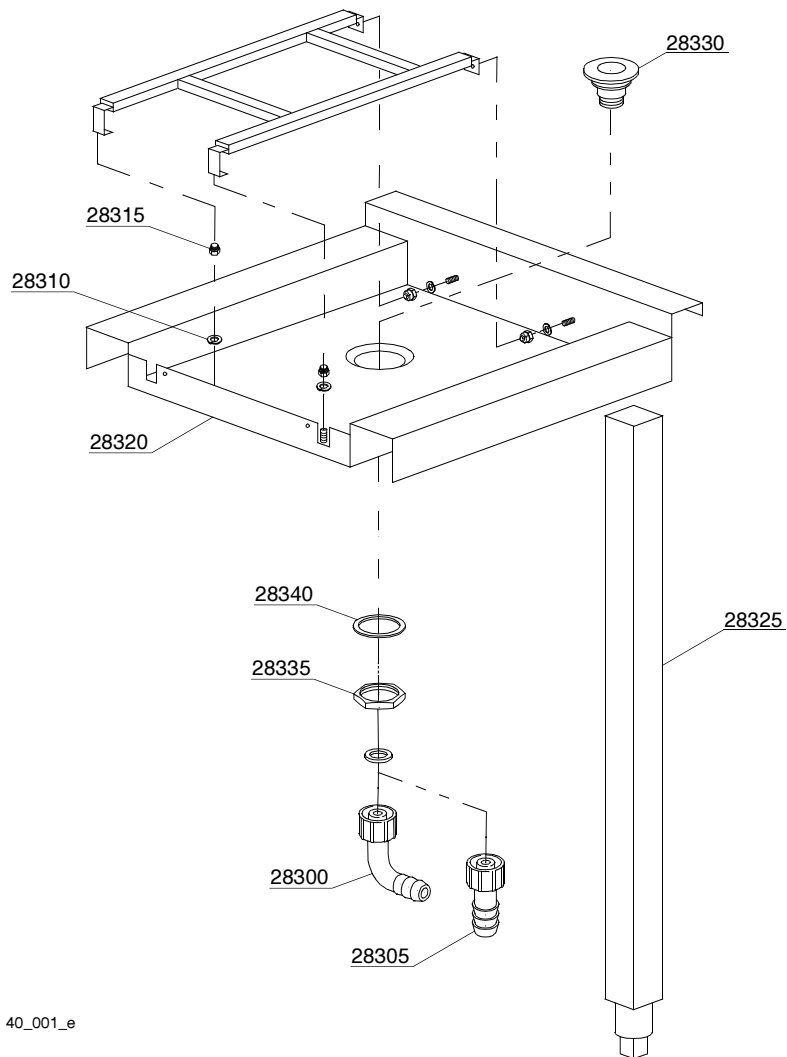
ID	P-code	Model	Type	Accessory	Voltage	Description
MODULE:Booster pump						
27200	15100		34HS	bp		Booster pump
27205	12030		34HS	bp		Elbow pipe fitting
27210	10221311		34HS	bp		Pipe fitting
27215	2000394		34HS	bp		Motorprotector 2,5-4A
27220	2000370		34HS	bp		Contactora MC9
27225	3006080		34HS	bp		Auxiliary contact LMS25



39_001_e

Spare parts

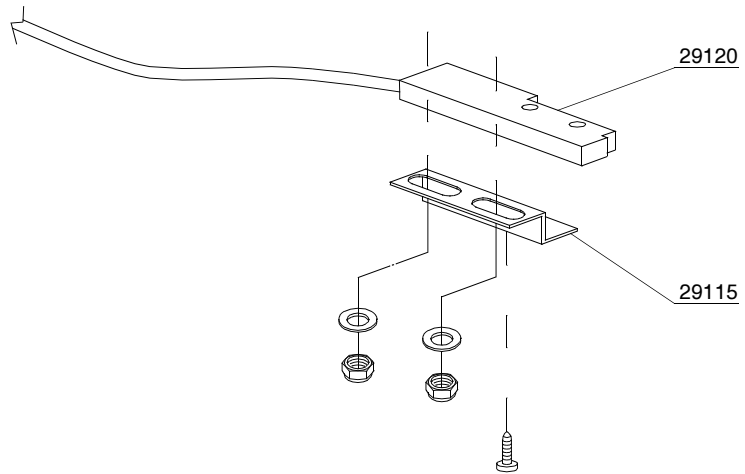
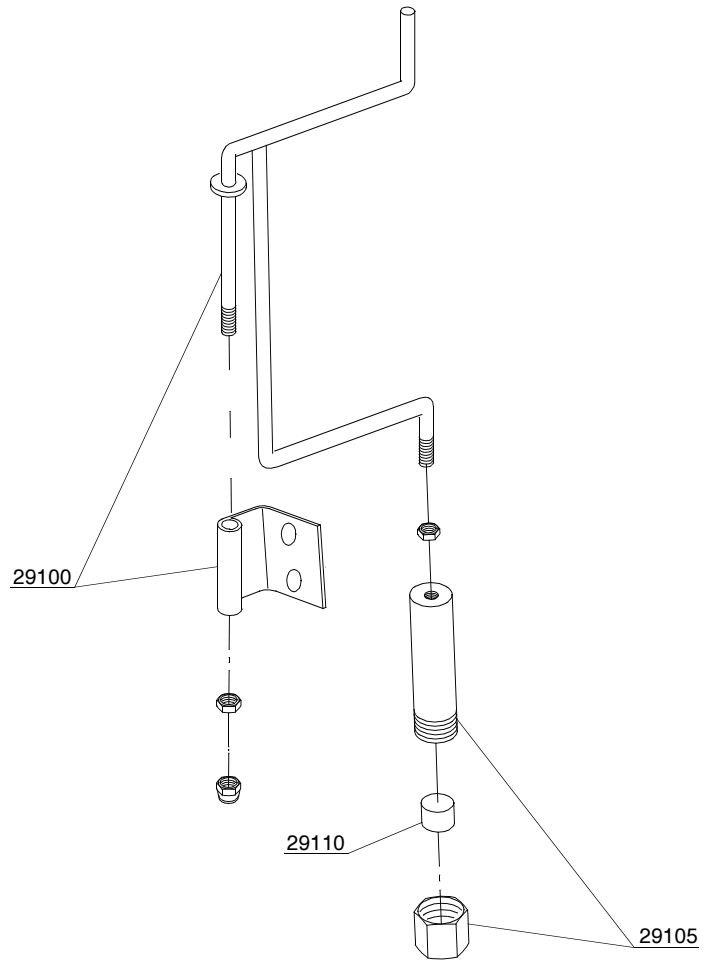
ID	P-code	Model	Type	Accessory	Voltage	Description
MODULE:Dispensers SDN-3						
	15181		34HS	sdn3		Dispensers assembly SDN-3
29300	15185		34HS	sdn3		Pipe fitting for detergent dispenser
29305	15186		34HS	sdn3		Pipe fitting for rinse dispenser



40_001_e

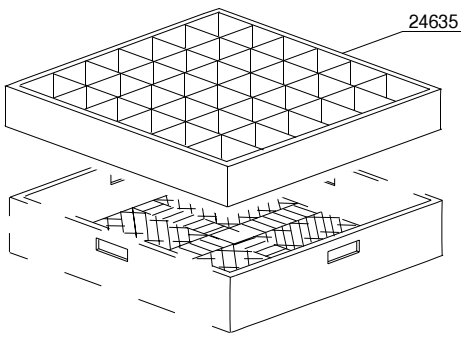
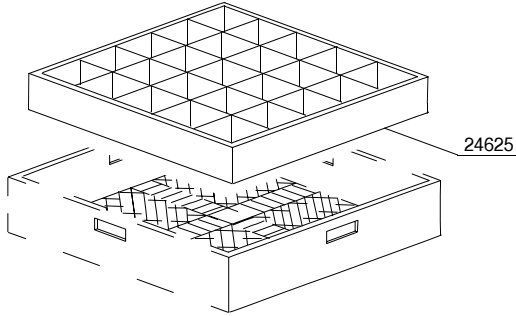
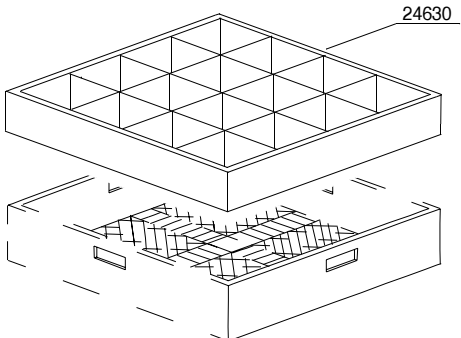
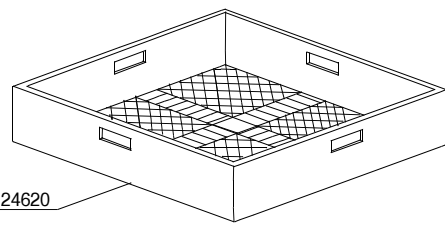
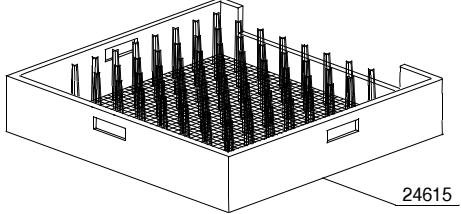
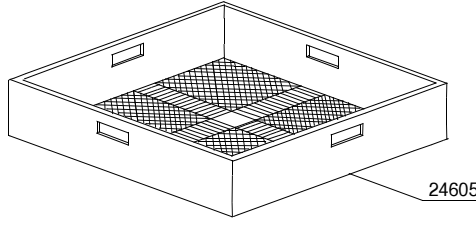
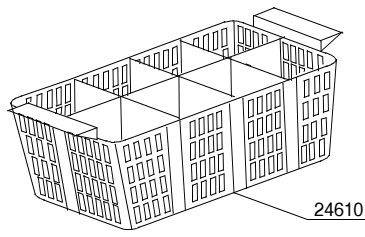
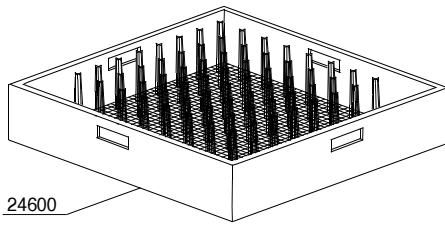
ID	P-code	Model	Type	Accessory	Voltage	Description
MODULE:Angle loading table 90° - LC 98						
28300	15613		34HS	98		"1"" 1/4x30 nylon elbow"
28305	15613/A		34HS	98		Fitting exauster
28310	3003024		34HS	98		Washer
28315	3003025		34HS	98		Bush
28320	3009250		34HS	98		Platform
28325	3009608		34HS	98		Leg assembly
28330	10200113		34HS	98		Floor drain
28335	10200114		34HS	98		Floor drain nut
28340	10200173		34HS	98		Gasket 75x58x2

41_001_e



Spare parts

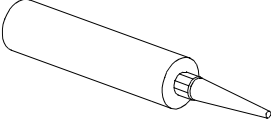
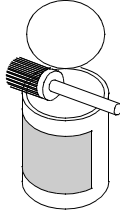
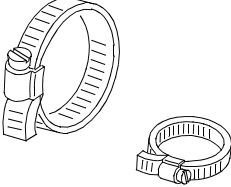
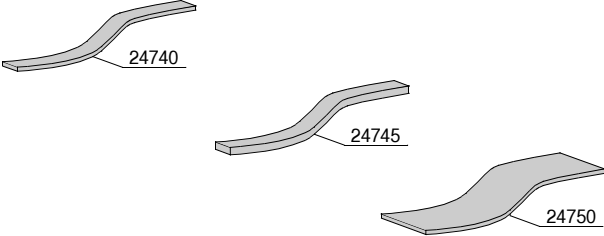
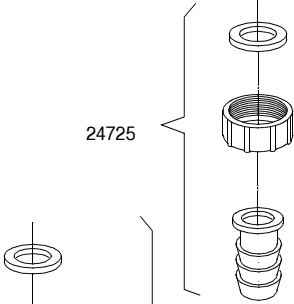
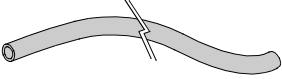
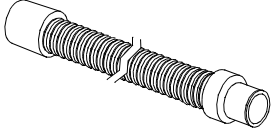
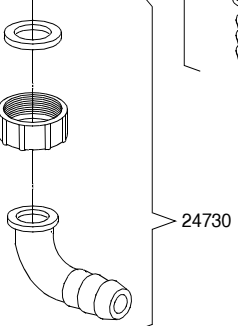
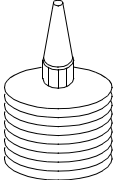
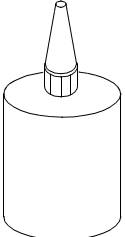
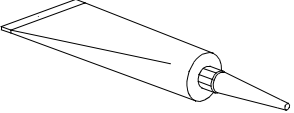
ID	P-code	Model	Type	Accessory	Voltage	Description
MODULE: Rinse economizer system						
29100	3004163		34HS	res		Rinse economizer system
29105	3003058		34HS	res		Magnet holder
29110	3003113		34HS	res		Magnet
29115	3009112		34HS	res		Economizer microswitch support
29120	3003112		34HS	res		Economizer microswitch



00_001_e

Spare parts

ID	P-code	Model	Type	Accessory	Voltage	Description
MODULE:Baskets						
24600	C40		34HS			Place conveyor basket
24605	C41		34HS			Tight mesh conveyor basket for cutlery
24610	C47		34HS			Small 8 place cutlery basket
24615	C43		34HS			535mm tray conveyor basket
24620	C44		34HS			Mod.07 universal conveyor basket
24625	C112		34HS			5x5 vertical glass conveyor basket
24630	C113		34HS			4x4 vertical glass conveyor basket
24635	C114		34HS			6x6 vertical glass conveyor basket

 <p>24700</p>	 <p>24705</p>	 <p>24760</p>
 <p>24740</p> <p>24745</p> <p>24750</p>		 <p>24725</p> <p>24730</p>
 <p>24755</p>	 <p>24735</p>	 <p>24730</p>
 <p>24765</p>	 <p>24770</p>	 <p>24775</p>

Spare parts

ID	P-code	Model	Type	Accessory	Voltage	Description
MODULE:Accessory						
24700	---		34HS			Silicone UNI 9610 - UNI 9611
24705	---		34HS			Grease for higt temperatures CCIAA 629224
24705	---		34HS			Grease for food - Loctite 8104 Cat. N° 26560
24725	15613/A		34HS			Fitting exauster
24730	15613		34HS			"1"" 1/4x30 nylon elbow"
24735	10727		34HS			Exauster pipe Ø 24mm
24735	10200112		34HS			Exauster pipe Ø 32mm
24740	15750		34HS			20x2 self-stick mousse
24745	15751		34HS			20x4 self-stick mousse
24750	15752		34HS			60x2 self-stick mousse
24755	2907350		34HS			Flexible pipe EPDM Ø12
24755	2907352		34HS			Flexible pipe EPDM Ø12 - WRAS
24755	2907353		34HS			Flexible pipe EPDM Ø12
24760	2902050		34HS			Steel hose clamp 15/24
24760	11806		34HS			Steel hose clamp 25/40
24760	11810		34HS			Steel hose clamp 40/60
24760	11824		34HS			Steel hose clamp 50/70
24760	2902491		34HS			Steel hose clamp 60/80
24765	---		34HS			-50°C +150°C threads dope
24770	---		34HS			Loctite 542 Cat.N° 54246 - DIN-DVGW 86.02 e 125
24770	---		34HS			Loctite 243 Cat.N° 18937 - 19386
24775	---		34HS			Loctite 511 Cat.N° 24003 - DIN-DVGW 86.01 e 125
24775	---		34HS			Loctite 577 Cat.N° 25392