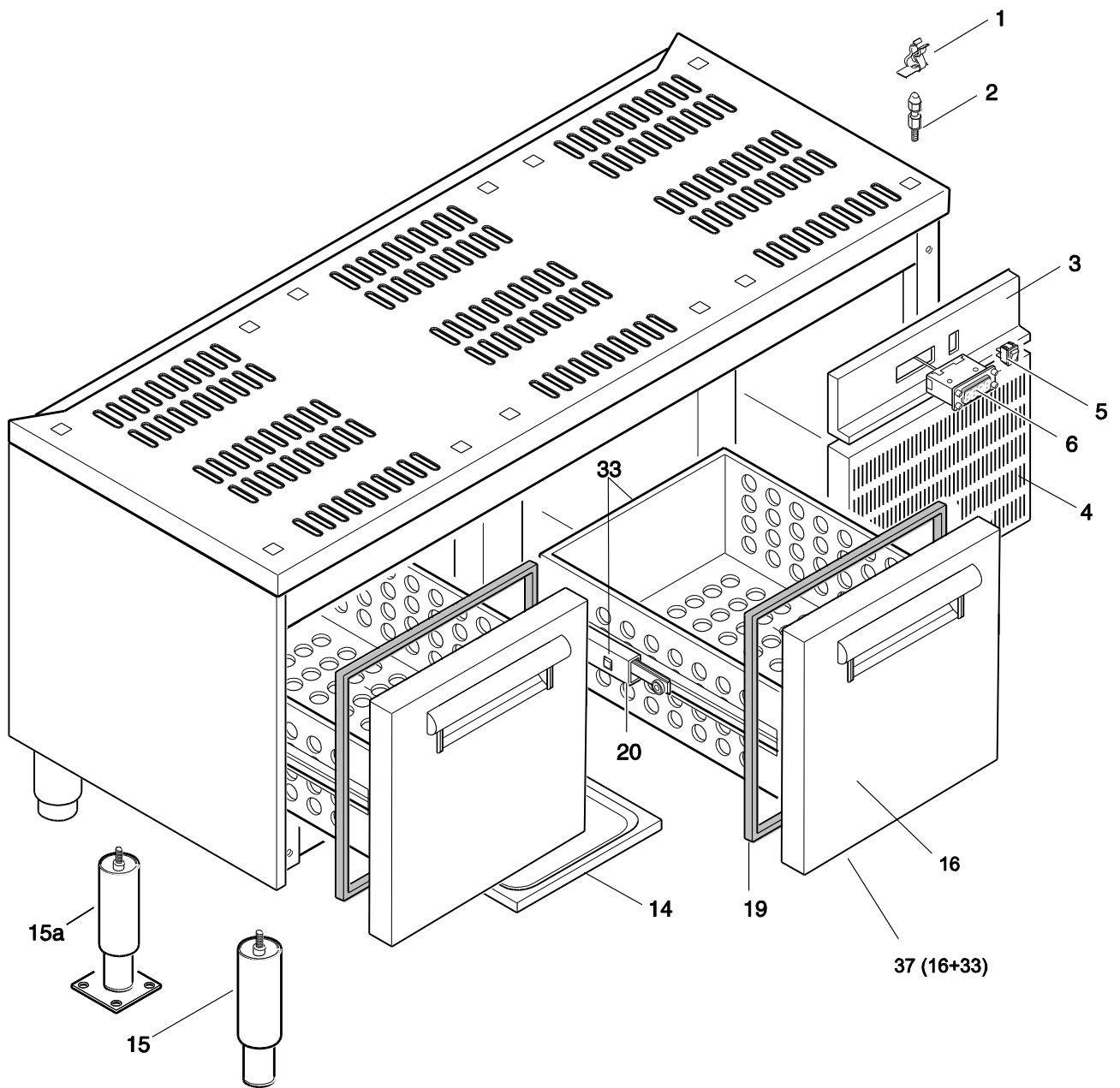


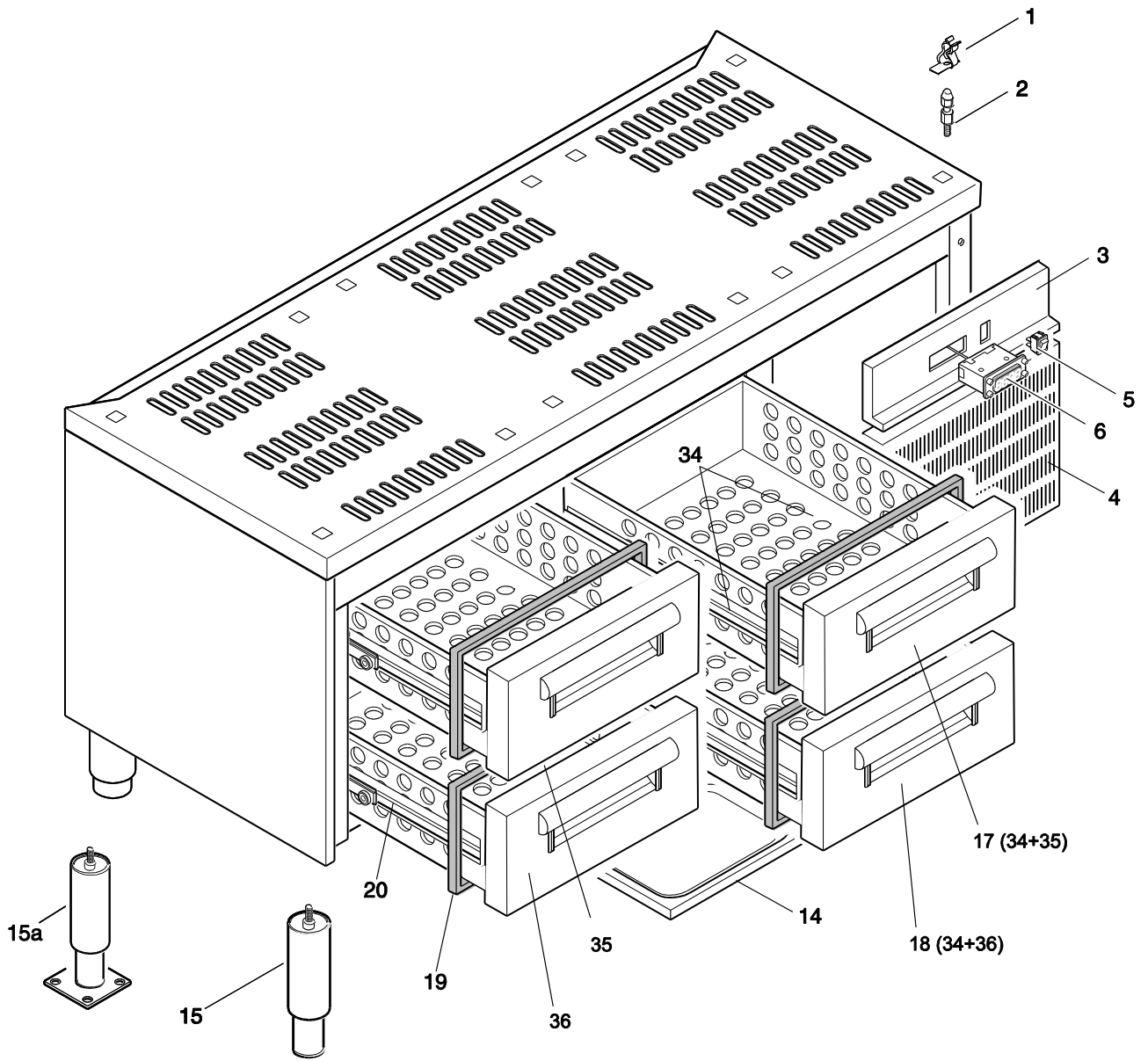
---

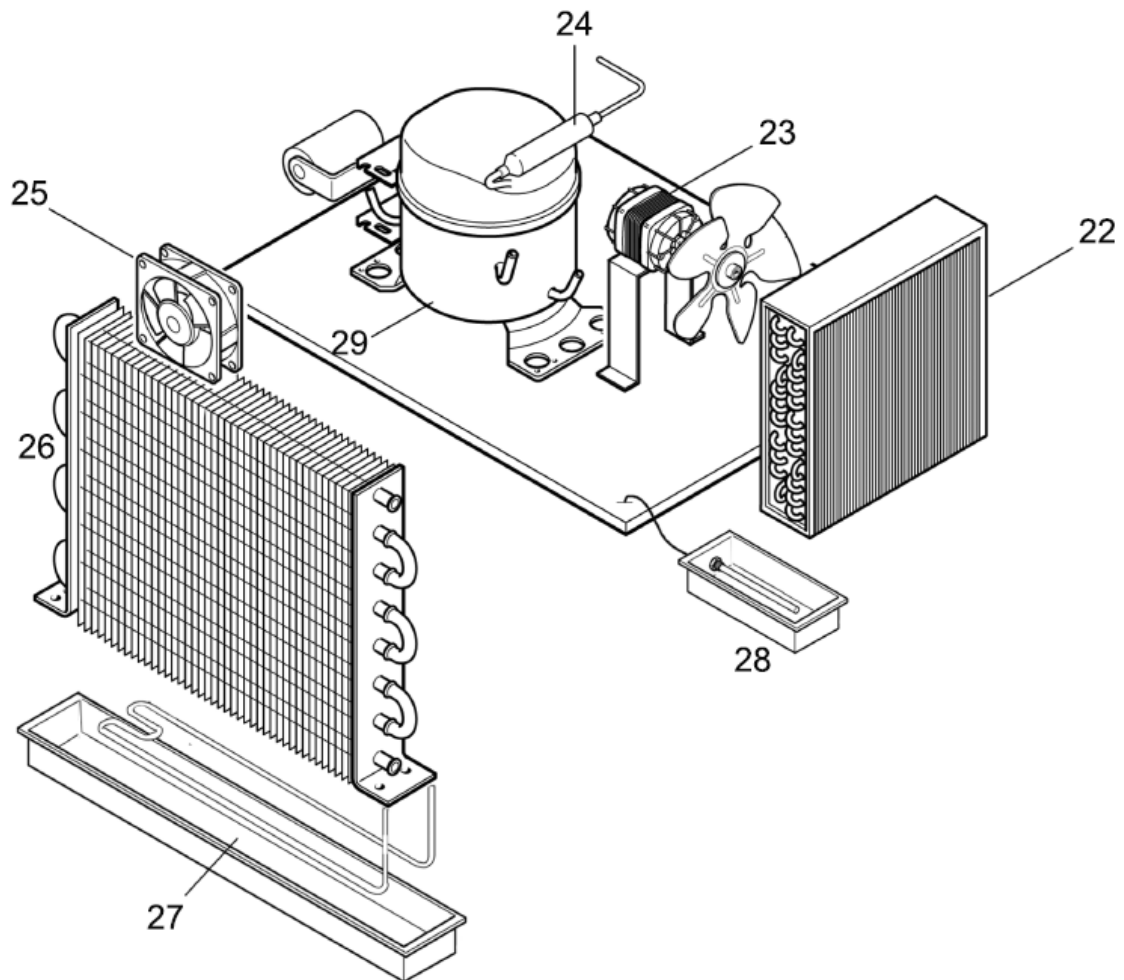
PNC	Model	Ref	Pag.	Brand	Version	Notes
391163	E9BAPL00R0	e	2-4	ELUX	EL	REFRIGERATED BASE WITH 3 DRAWERS 1600 MM
392163	Z9BAPL00R0	l	2-4	ZAN	EL	REFRIGERATED BASE WITH 2 DRAWERS 1200 MM
393163	A9BAPL00R0	o	2-4	OEM	EL	REFRIGERATED BASE WITH 2 DRAWERS 1200 MM

Pag.	Index	Indice	Note
2,3	General Components	Componenti Generali	
4	Cooling unit	Gruppo refrigerante	
5	Spare parts list	Lista ricambi	

Brand/Marchio: All  
Factory code: 9PDX







**BASE REFRIGERATA E900XP**  
**REFRIGERATED BASE E900XP**

<i>Pos.</i>	<i>Factory Code</i>	<i>Spare Code</i>	<i>Descrizione</i>	<i>Description</i>	<i>Ref./Note</i>
1	3960061	091243	Molletta	Spring	
2	3960077	091244	Perno filettato	Pin	
3	2505738	*	Cruscotto	Control panel	2 Drawers/Door
3	2505751	*	Cruscotto	Control panel	3 Drawers/Door
4	2505752	*	Griglia cruscotto	Grid for control panel	2 Drawers/Door
4	2505739	*	Griglia cruscotto	Grid for control panel	3 Drawers/Door
5	3700100	089013	Interruttore generale	Main switch	
6	3700126	*	Termoregolatore digitale	Digital Thermoregulator	Refrigerated base
14	3960134	091258	Bacinella raccolta condensa	Basin collecting condensate	Refrigerated base
15	3960084	091259	Piede 1"3/4	Foot 1"3/4	
<b>15a</b>	*	*	<b>Piede flangiato marine</b>	<b>Marine foot</b>	
<b>16</b>	<b>7505021</b>	<b>094125</b>	<b>Ass. Front. Cassettone</b>	<b>Drawer front panel assembly</b>	<b>ELUX</b>
<b>16</b>	<b>7505029</b>	<b>094126</b>	<b>Ass. Front. Cassettone</b>	<b>Drawer front panel assembly</b>	<b>ZAN</b>
<b>16</b>	<b>7505031</b>	*	<b>Ass. Front. Cassettone</b>	<b>Drawer front panel assembly</b>	<b>OEM</b>
<b>17</b>	*	*	<b>Assieme Cassetto Superiore</b>	<b>Complete Upper drawer</b>	<b>ELUX (34+35)</b>
<b>17</b>	*	*	<b>Assieme Cassetto Superiore</b>	<b>Complete Upper drawer</b>	<b>ZAN (34+35)</b>
<b>17</b>	*	*	<b>Assieme Cassetto Superiore</b>	<b>Complete Upper drawer</b>	<b>OEM (34+35)</b>
<b>18</b>	*	*	<b>Assieme Cassetto Inferiore</b>	<b>Complete Bottom drawer</b>	<b>ELUX (34+36)</b>
<b>18</b>	*	*	<b>Assieme Cassetto Inferiore</b>	<b>Complete Bottom drawer</b>	<b>ZAN (34+36)</b>
<b>18</b>	*	*	<b>Assieme Cassetto Inferiore</b>	<b>Complete Bottom drawer</b>	<b>OEM (34+36)</b>
19	2505601	091267	Guarnizione magnetica gn 1/1	Magnetic gasket gn 1/1	
19	2505700	*	Guarnizione magnetica gn 1/1	Magnetic gasket gn 1/1	6 Drawers
20	3305011	*	Coppia guide telescopiche	Couple of drivers	
21	3650253	*	Gruppo completo	Refrigerated Group	
22	3650300	*	Condensatore	Condenser	
23	3650301	*	Motore-Ventilatore	Motor for condenser fan	
24	3650305	*	Filtro	Filter	
25	3650306	*	Ventola	Evaporator's fan	
26	3650310	*	Evaporatore	Evaporator	
27	3650320	*	Resistenza di sbirramento	Draining heating element	
29	3650314	*	Compressore	Compressor	
32	3700089	*	Sonda NTC	NTC Probe	1,5m 5x20
<b>33</b>	*	*	<b>Cassettone+guide</b>	<b>Drawer+guide</b>	
<b>34</b>	*	*	<b>Cassetto+guide</b>	<b>Drawer+guide</b>	
<b>35</b>	<b>7505026</b>	<b>094751</b>	<b>Assieme Frontalino Superiore</b>	<b>Upper front panel assembly</b>	<b>ELUX</b>
<b>35</b>	*	*	<b>Assieme Frontalino Superiore</b>	<b>Upper front panel assembly</b>	<b>ZAN</b>
<b>35</b>	*	*	<b>Assieme Frontalino Superiore</b>	<b>Upper front panel assembly</b>	<b>OEM</b>
<b>36</b>	<b>7505027</b>	<b>094767</b>	<b>Assieme Frontalino Inferiore</b>	<b>Lower front panel assembly</b>	<b>ELUX</b>
<b>36</b>	*	*	<b>Assieme Frontalino Inferiore</b>	<b>Lower front panel assembly</b>	<b>ZAN</b>
<b>36</b>	*	*	<b>Assieme Frontalino Inferiore</b>	<b>Lower front panel assembly</b>	<b>OEM</b>
<b>37</b>	*	*	<b>Ass. Cassettone congelatore</b>	<b>Complete drawer freezer assembly</b>	<b>ELUX (16+33)</b>
<b>37</b>	*	*	<b>Ass. Cassettone congelatore</b>	<b>Complete drawer freezer assembly</b>	<b>ZAN (16+33)</b>
<b>37</b>	*	*	<b>Ass. Cassettone congelatore</b>	<b>Complete drawer freezer assembly</b>	<b>OEM (16+33)</b>