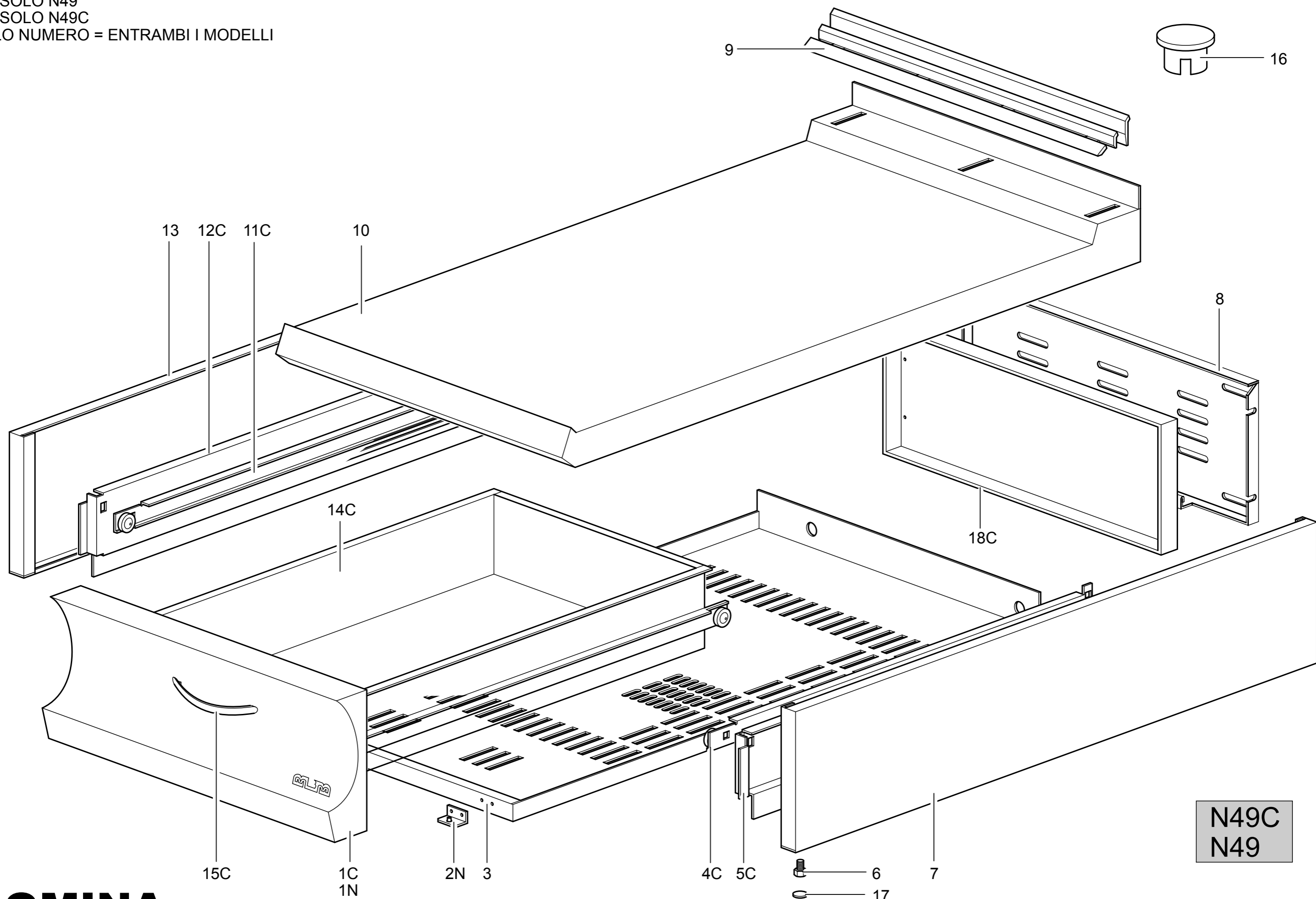


N = SOLO N49  
C = SOLO N49C  
SOLO NUMERO = ENTRAMBI I MODELLI



| TAVOLA         | POS. | CODICE     | ITALIANO                       | FRANCESE                                  | INGLESE                      | TEDESCO                       |
|----------------|------|------------|--------------------------------|---|------------------------------|-------------------------------|
| DOMINA TAV.901 | 1    | 160247     | PANNELLO ESTERNO CASSETTO N49C | PANNEAU DE CONTRÔLE N95C                  | CONTROL PANEL N95C           | STIRNBRETT N95C               |
| DOMINA TAV.901 | 1N   | 160254     | CRUSCOTTO N49                  | PANNEAU DE CONTRÔLE N95                   | CONTROL PANEL N95            | STIRNBRETT N95                |
| DOMINA TAV.901 | 2N   | 160028     | SQUADRETTA FISSAGGIO CRUSCOTTO | EGUERRE POUR FIXER LE PANNEAU DE CONTRÔLE | BRACKET TO FIX CONTROL PANEL | STEUERTAFELBEFESTIGUNGSWINKEL |
| DOMINA TAV.901 | 3    | 160025     | FONDO TOP                      | FOND TOP                                  | BOTTOM TOP                   | UNTERE EBENE TOP              |
| DOMINA TAV.901 | 4C   | RTCU700603 | GUIDA DX                       | GUIDE DX                                  | GUIDE DX                     | FÜHRER DX                     |
| DOMINA TAV.901 | 5C   | 160258     | TRAVERSA DX CASSETTO           | TIROIR DX DE CROSSPIECE                   | CROSSPIECE DRAWER DX         | SCHUBLADE VON CROSSPIECE DX   |
| DOMINA TAV.901 | 6    | RTCU700324 | PIEDINO                        | PIED                                      | FOOT                         | FUSS                          |
| DOMINA TAV.901 | 7    | 160021     | FIANCO DX                      | CÔTÉ DROITE                               | RIGHT SIDE                   | RECHTE SEITE                  |
| DOMINA TAV.901 | 8    | 160022     | POSTERIORE INOX                | PANNEAU POSTÉRIEURE INOX                  | INOX BACK PANEL              | INOX RÜCKWAND                 |
| DOMINA TAV.901 | 9    | 168441     | GRIGLIA CAMINO                 | GRILLE POUR CHEMINÉE                      | CHIMNEY GRILL                | SCHORNSTEINROST               |
| DOMINA TAV.901 | 10   | 163266     | PIANO INOX                     | PLAN INOX                                 | INOX PLANE                   | INOX EBENE                    |
| DOMINA TAV.901 | 11C  | RTCU700604 | GUIDA SX                       | GUIDE SX                                  | GUIDE SX                     | FÜHRER SX                     |
| DOMINA TAV.901 | 12C  | 160257     | TRAVERSA SX CASSETTO           | TIROIR SX DE CROSSPIECE                   | CROSSPIECE DRAWER SX         | SCHUBLADE VON CROSSPIECE SX   |
| DOMINA TAV.901 | 13   | 160319     | FIANCO SX                      | CÔTÉ GAUCHE                               | LEFT SIDE                    | LINKE SEITE                   |
| DOMINA TAV.901 | 14C  | 160246     | CASSETTO                       | TIROIR                                    | DRAWER                       | SCHUBLADE                     |
| DOMINA TAV.901 | 15C  | 160270     | MANIGLIA GFT49                 | POINGÉE GFT49                             | HANDLE GFT49                 | HANDGRIFF GFT49               |
| DOMINA TAV.901 | 16   | 163603     | TAPPO FISSAGGIO PIANO DOMINA   | BOUCHON                                   | PLUG                         | GEWINDEPROPFEN                |
| DOMINA TAV.901 | 17   | RTBF800021 | GOMMINO PORTA                  | BOUCHON PORTE                             | DOOR RUBBER CAP              | TÜRGUMMI                      |
| DOMINA TAV.901 | 18C  | 165344     | TRA. POST. FISS. GUIDE CASS.   | CROISSILLON POSTÉRIEURE                   | FRONT CROSSBAR               | HINTERER QUERTRÄGER           |