

CM650RE Parts List

Table of Contents

Cabinet Exterior

Cabinet Interior

Refrigeration

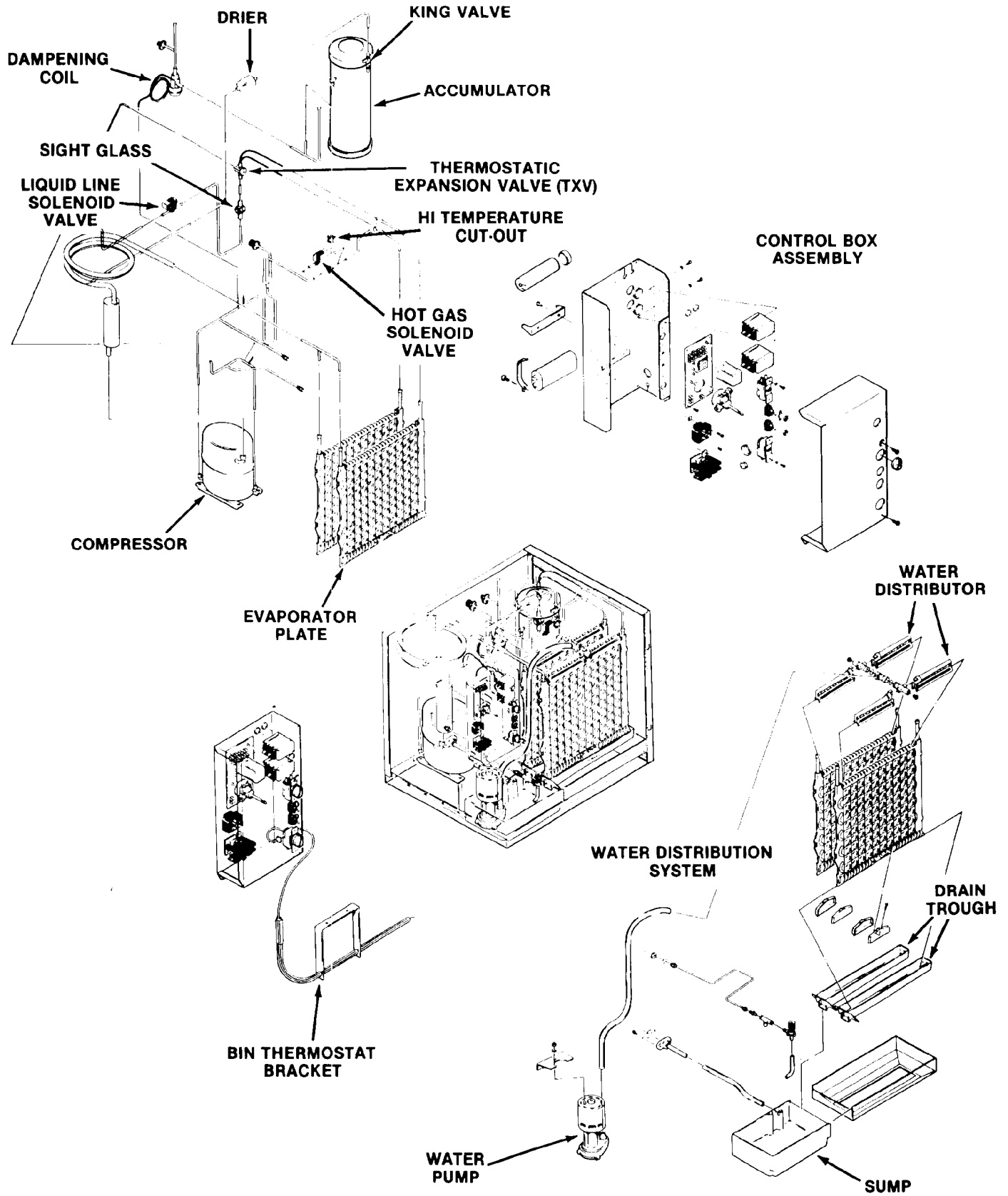
Water System

Control Box

Remote Condenser

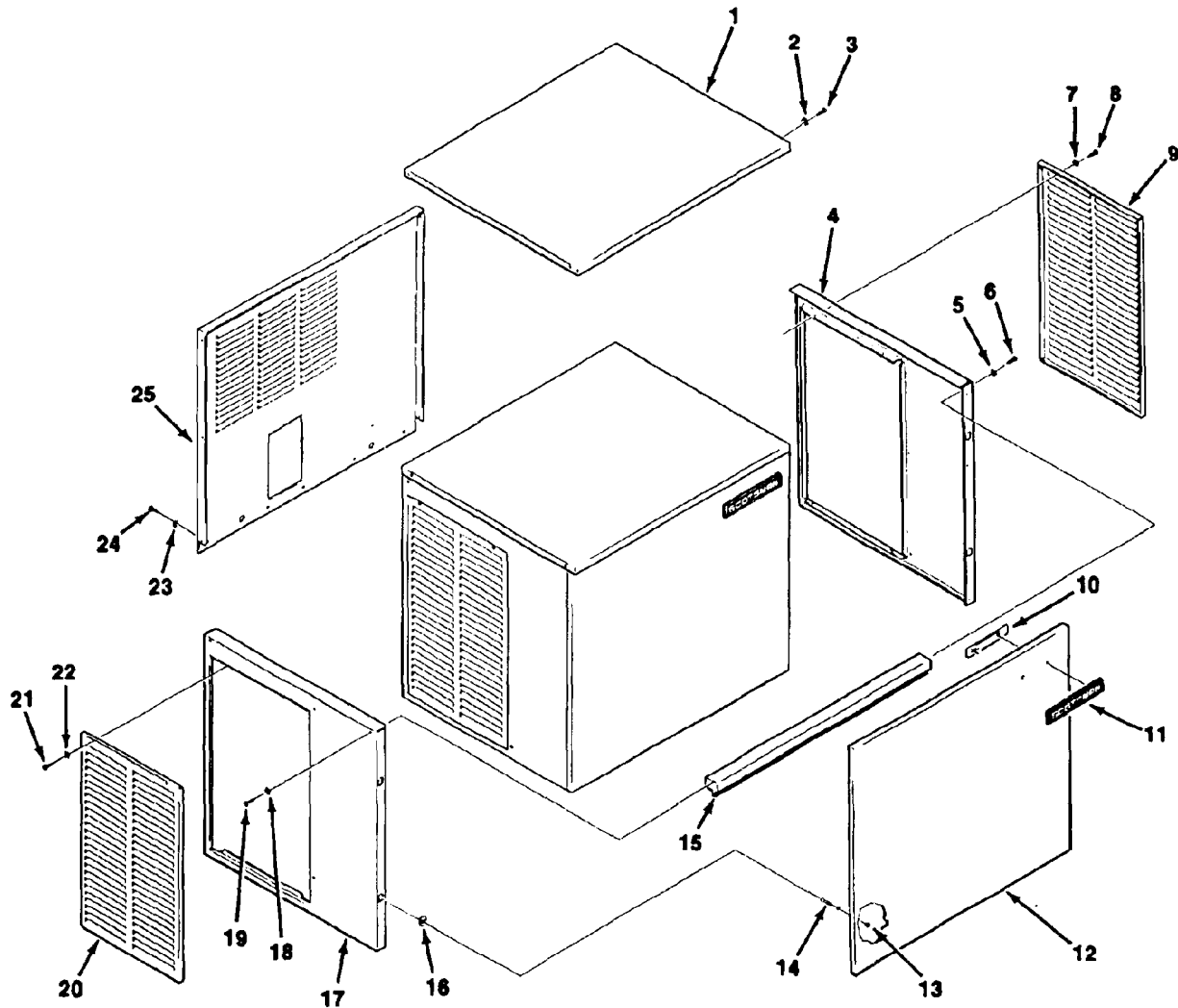
Wiring Diagrams

CM650R THE PARTS ILLUSTRATIONS AND PARTS LISTS



CM650RE SERVICE PARTS

CABINET ASSEMBLY



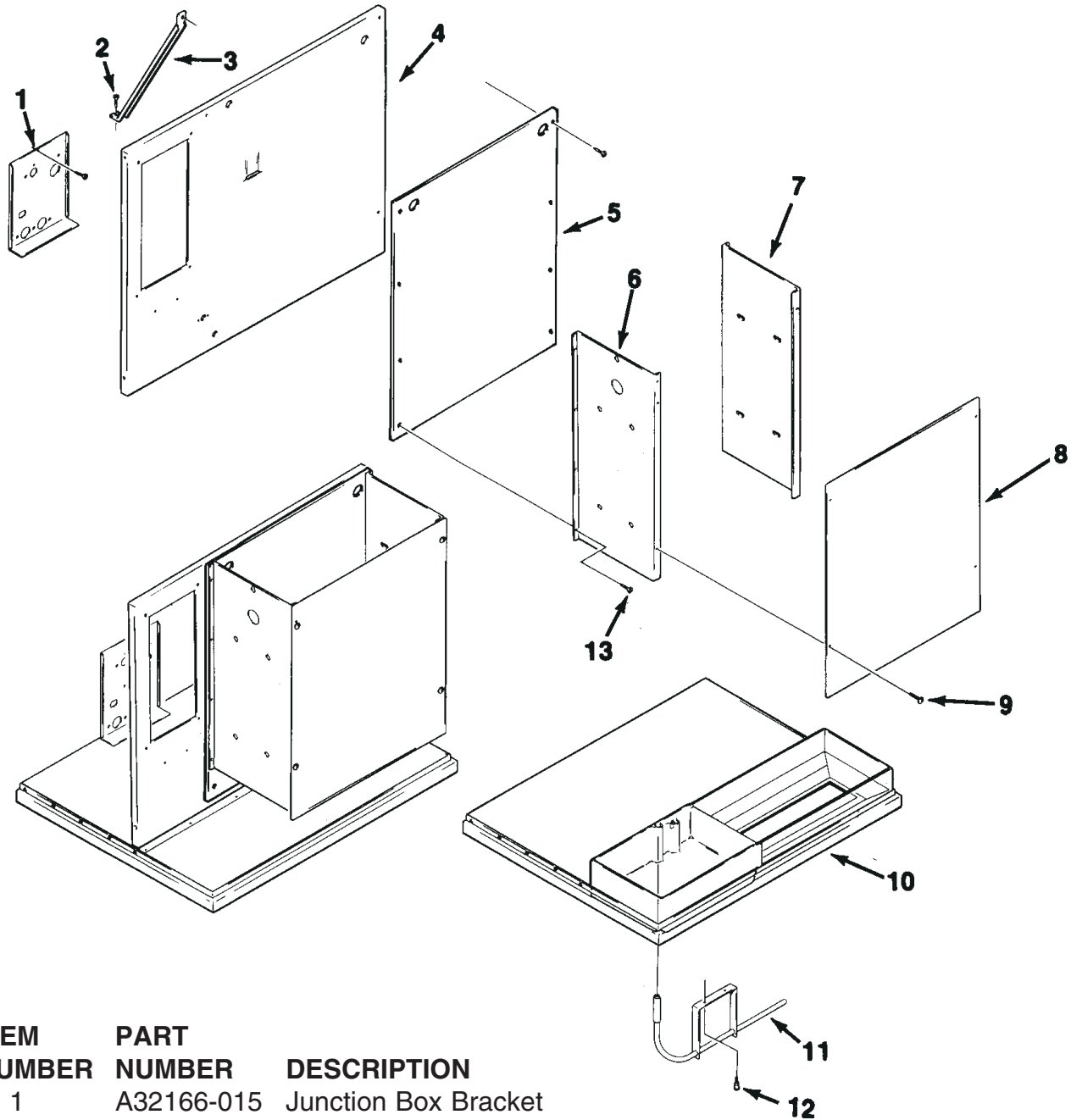
ITEM NUMBER	PART NUMBER	DESCRIPTION	ITEM NUMBER	PART NUMBER	DESCRIPTION
1	A32159-001	Top Panel, Painted	13	03-1406-04	Nut
	A32159-002	Top Panel, S. S.	14	15-0411-00	Strike
2	03-1417-03	Lockwasher	15	A32169-001	Front Support
3	03-1531-01	Screw	16	02-0836-00	Cabinet Catch
4	A32162-001	Right End Panel, Paint	17	A32163-001	Left End Panel, Paint
	A32162-002	Right End Panel, S.S.		A32163-002	Left End Panel, S.S.
5	03-1417-03	Lockwasher	18	03-1417-03	Lockwasher
6	03-1531-01	Screw	19	03-1531-01	Screw
7	03-1417-03	Lockwasher	20	A32161-001	Service Panel, Paint
8	03-1404-12	Screw		A32161-002	Service Panel, S.S.
9	A32161-001	Service Panel, Painted	21	03-1404-12	Screw
	A32161-002	Service Panel, S.S.	22	03-1412-03	Lockwasher
10	03-0271-00	Speed Nut	23	03-1417-03	Lockwasher
11	15-0711-01	Emblem	24	03-1531-01	Screw
12	A32160-001	Front Panel, Painted	25	A32201-001	Back Panel
	A32160-002	Front Panel, S.S.			

July, 1988

Page 2

CM650RE SERVICE PARTS

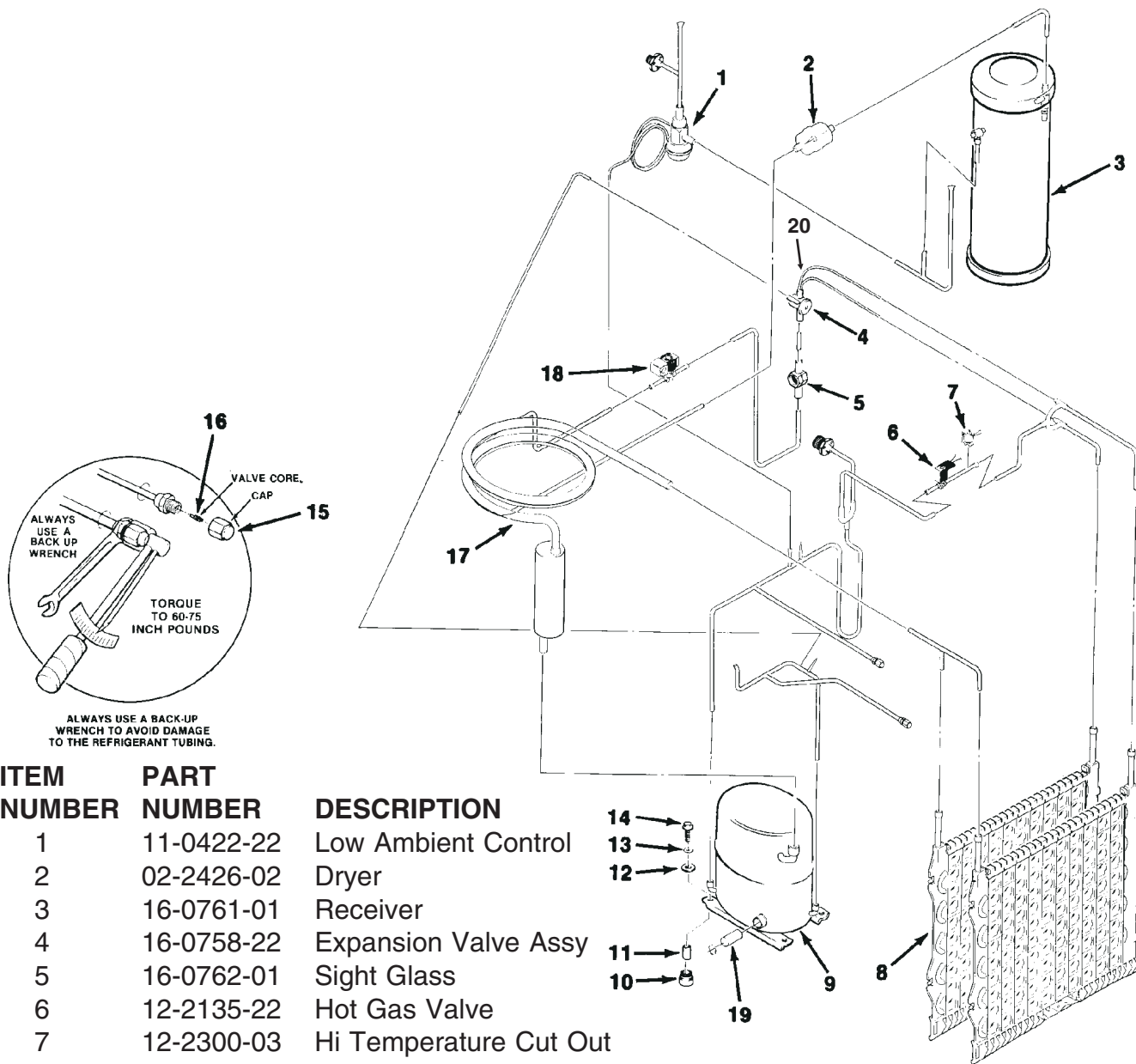
CABINET INTERIOR



ITEM NUMBER	PART NUMBER	DESCRIPTION
1	A32166-015	Junction Box Bracket
2	03-1645-01	Screw
3	A32210-001	Support Brace
4	A32158-001	Retainer
5	02-2867-01	Splash Panel
6	A32172-001	Evaporator Bracket, Right
7	A32173-001	Evaporator Bracket, Left
8	02-3246-01	Evaporator Plate Cover
9	03-0727-09	Thumbscrew
10	A32153-001	Base
11	A32262-001	Bin Thermostat Bracket
12	03-0727-09	Thumbscrew
13	03-1531-02	Screw

CM650RE SERVICE PARTS

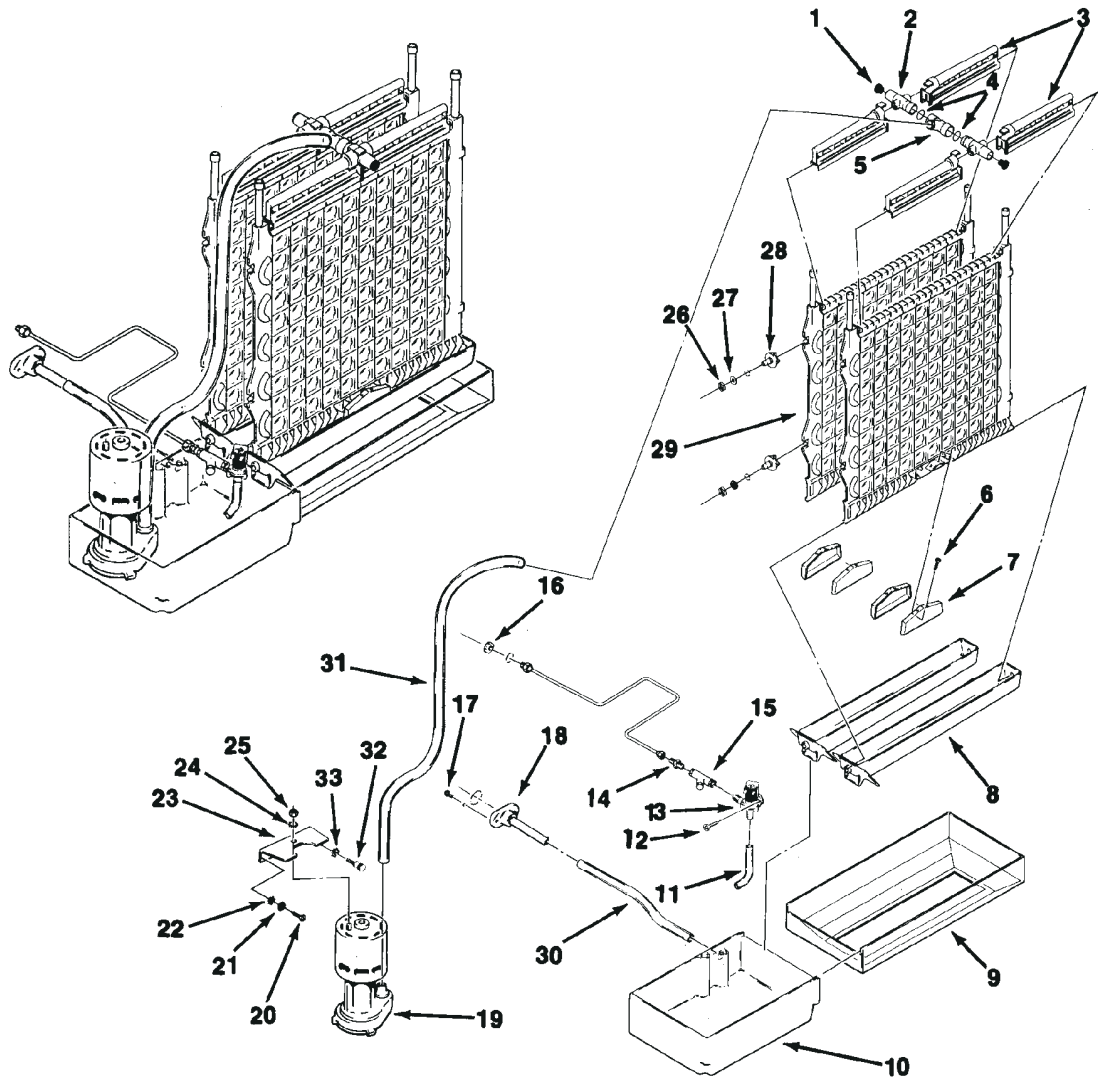
REFRIGERATION SYSTEM



ITEM NUMBER	PART NUMBER	DESCRIPTION
1	11-0422-22	Low Ambient Control
2	02-2426-02	Dryer
3	16-0761-01	Receiver
4	16-0758-22	Expansion Valve Assy
5	16-0762-01	Sight Glass
6	12-2135-22	Hot Gas Valve
7	12-2300-03	Hi Temperature Cut Out
8	A30296-020	Evaporator Plate
9	18-8879-21	Compressor (208-230/60/1)
	18-8879-22	Compressor (208-230/60/3)
10	18-6800-01	Mounting Grommet
11	18-2300-26	Sleeve
12	03-1407-07	Washer, 5/16
13	no number	Washer
14	03-1405-20	Screw, 5/16-18
15	16-0563-00	Valve Cap
16	15-0560-00	Valve Core
17	A34317-020-	Heat Exchanger
18	12-2274-01	Liquid Line Solenoid Valve
19	18-2308-01	Crankcase Heater
20	16-0777-01	Distributor

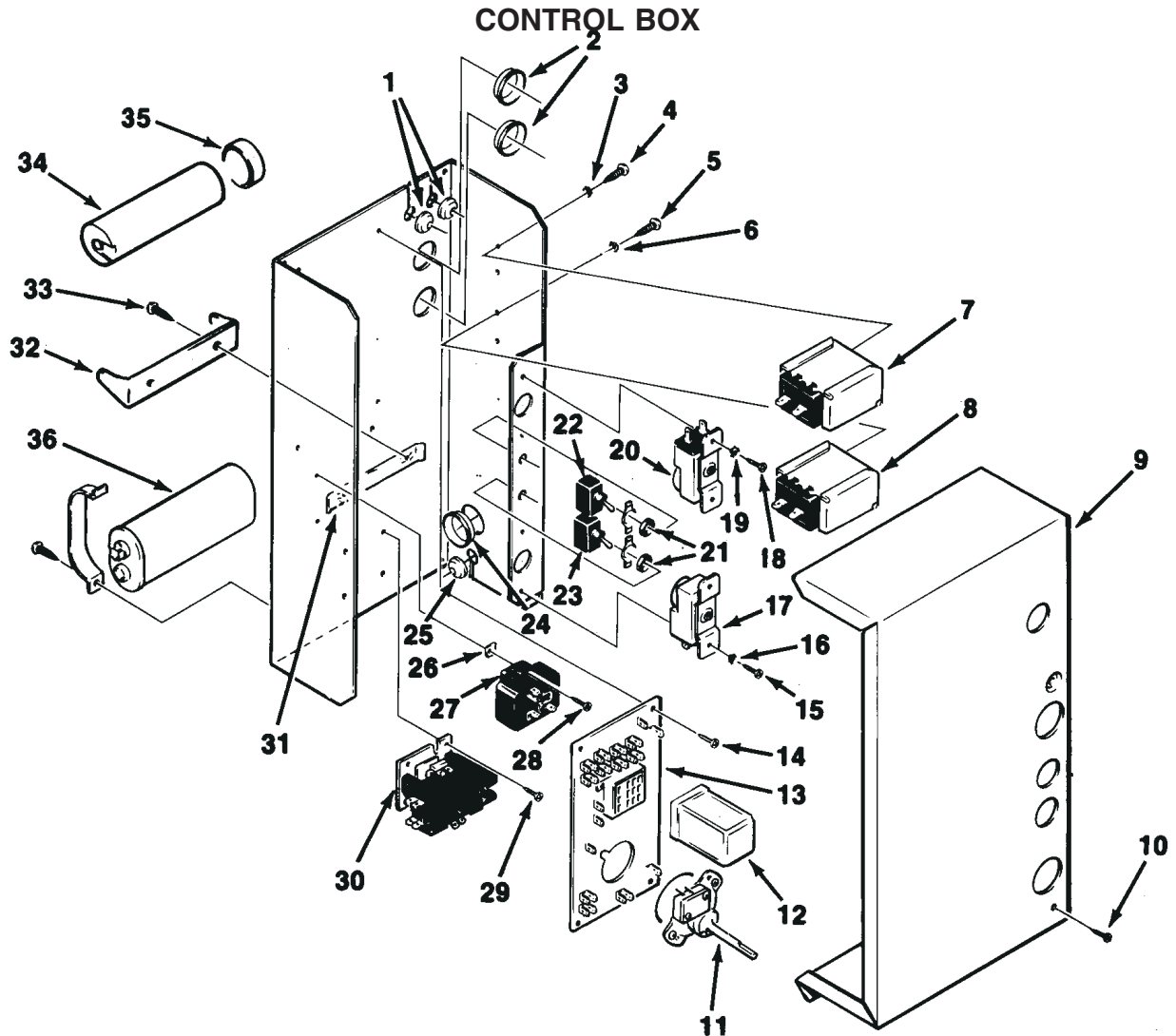
CM650RE SERVICE PARTS

WATER SYSTEM



ITEM NUMBER	PART NUMBER	DESCRIPTION	ITEM NUMBER	PART NUMBER	DESCRIPTION
1	13-0840-01	Manifold Plug	18	A32282-003	Drain Assembly
2	A29703-001	Manifold Water Tube	19	12-2265-22	Water Pump Assembly
3	02-2527-01	Water Distrib. Tube	20	03-1403-17	Screw
4	13-0617-48	O-Ring (2)	21	03-1407-03	Washer
5	02-2519-01	Plastic Tee	22	03-1408-31	Washer
6	03-1404-10	Screw	23	A30914-002	Pump Mounting Bracket
7	02-2878-01	Sump End Cover	24	03-1417-05	Lockwasher
8	02-2868-01	Drain Trough	25	03-1406-05	Nut
9	no number	Cube Chute	26	03-1394-03	Pal Nut
10	02-2869-01	Sump	27	03-1408-34	Special Washer
11	A30918-001	Sump Inlet Tube	28	02-2642-01	Plate Mount
12	03-1531-01	Screw	29	A30296-020	Evaporator
13	12-2313-03	Solenoid Valve	30	13-0674-07	Drain Hose, 8"
14	16-0791-01	Half Union	31	13-0674-07	Pump Hose, 33"
15	16-0162-00	Stainer	32	03-0727-09	Thumbscrew
16	03-1394-01	Pal Nut	33	03-1417-03	Lockwasher
17	03-1645-01	Screw			

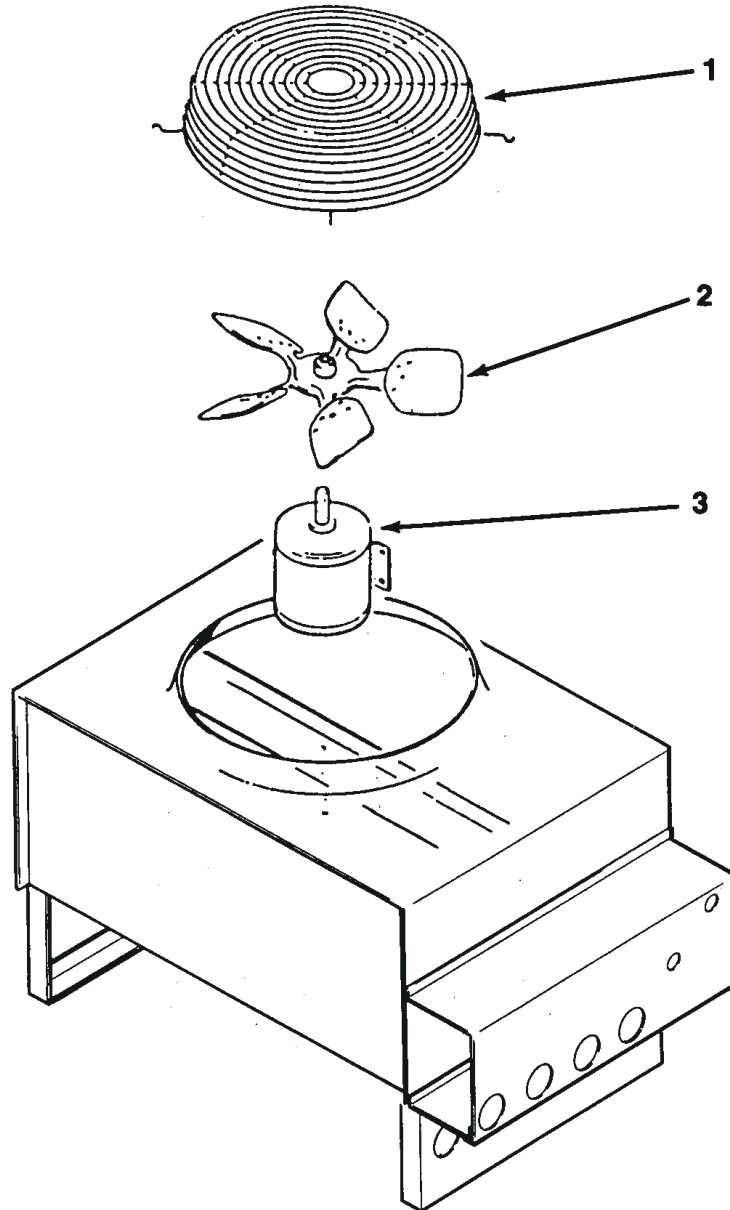
CM650RE SERVICE PARTS



ITEM NUMBER	PART NUMBER	DESCRIPTION	ITEM NUMBER	PART NUMBER	DESCRIPTION
1	13-0557-00	Grommet	20	11-0435-21	Cube Size Control
2	12-1213-10	Snap Bushing	21	03-1417-16	Lockwasher
3	03-1417-18	Lockwasher	22	12-0426-01	Switch
4	03-1403-02	Screw	23	12-0426-01	Switch
5	03-1403-02	Screw	24	12-1213-17	Snap Bushing
6	03-1417-18	Lockwasher	25	13-0557-00	Grommet
7	11-0420-23	Low Press Control Sw	26	03-1423-01	Speed Nut
8	11-0429-21	High Press. Safety Sw.	27	18-1903-46	Potential Relay
9	A32168-001	Control Box Cover	28	03-1403-02	Screw
10	03-1531-01	Screw	29	03-1403-15	Screw
11	12-2317-22	Timer & Switch	30	12-2469-02	Contactors, -32 (1 phase)
12	12-1879-03	Relay, 230 V		12-0739-02	Contactors, -3 (3 phase)
13	12-1912-01	Circuit Board	31	no number	Twin Speed Nut
14	03-1403-02	Screw	32	18-2200-39	Start Capacitor Bracket
15	03-1403-05	Screw	33	03-1403-15	Screw
16	03-1417-03	Lockwasher	34	18-1901-48	Start Capacitor
17	11-0427-02	Bin Thermostat	35	18-2200-38	Start Capacitor Cap.
18	03-1403-05	Screw	36	18-1902-45	Run Capacitor

CM650RE SERVICE PARTS

REMOTE CONDENSER



RC651, RC652,

ITEM NUMBER	PART NUMBER	DESCRIPTION
1	02-2618-01	Fan Guard
2	18-3733-01	Fan Blade
3	18-5301-01	Fan Motor

RC1051

ITEM NUMBER	PART NUMBER	DESCRIPTION
1	02-2618-01	Fan Guard
2	18-6304-01	Fan Blade
3	18-5301-01	Fan Motor

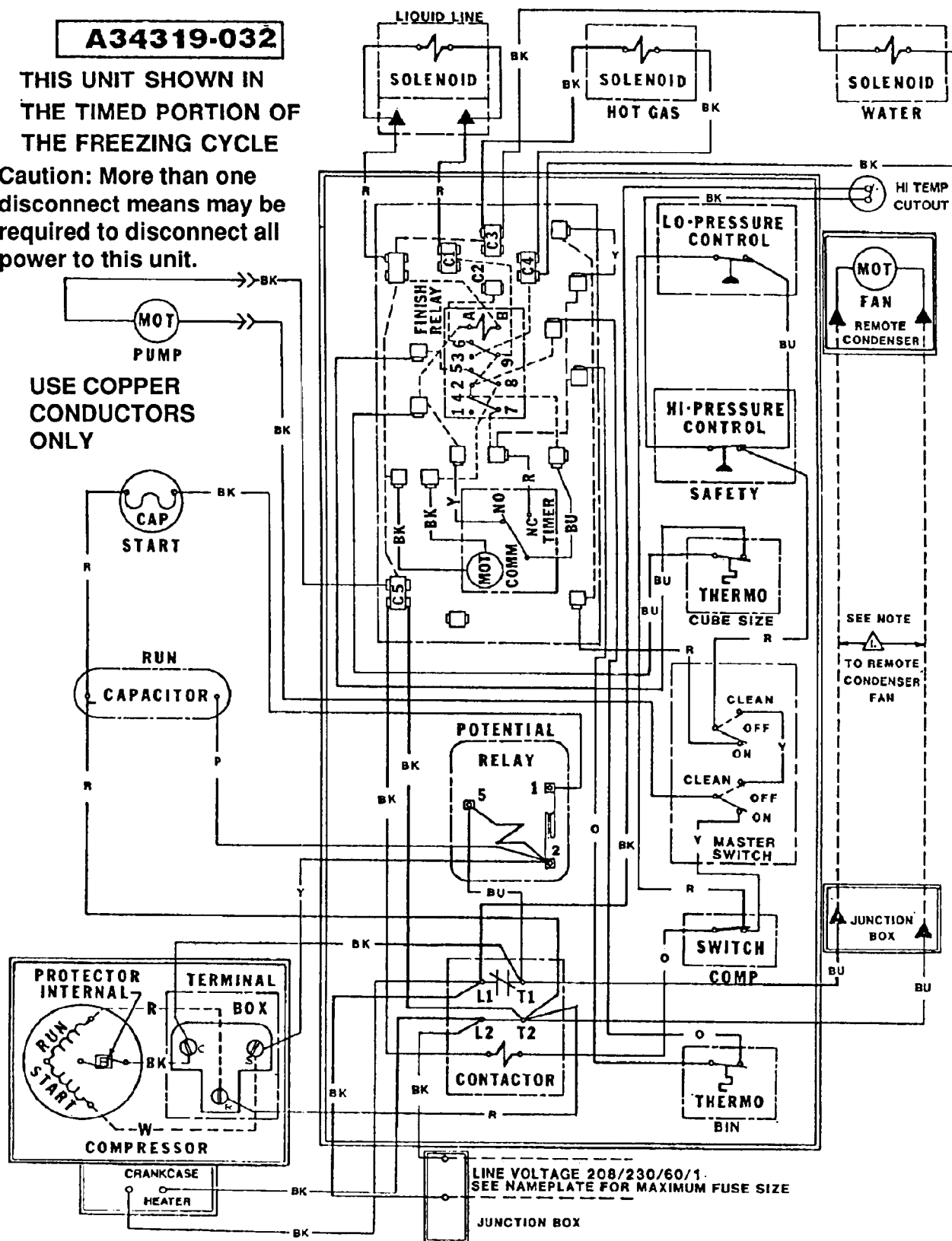
CM650RE WIRING DIAGRAMS

Component Layout Diagram for CM650RE-32E (208-230/60/1)

A34319-032

THIS UNIT SHOWN IN
THE TIMED PORTION OF
THE FREEZING CYCLE

Caution: More than one
disconnect means may be
required to disconnect all
power to this unit.



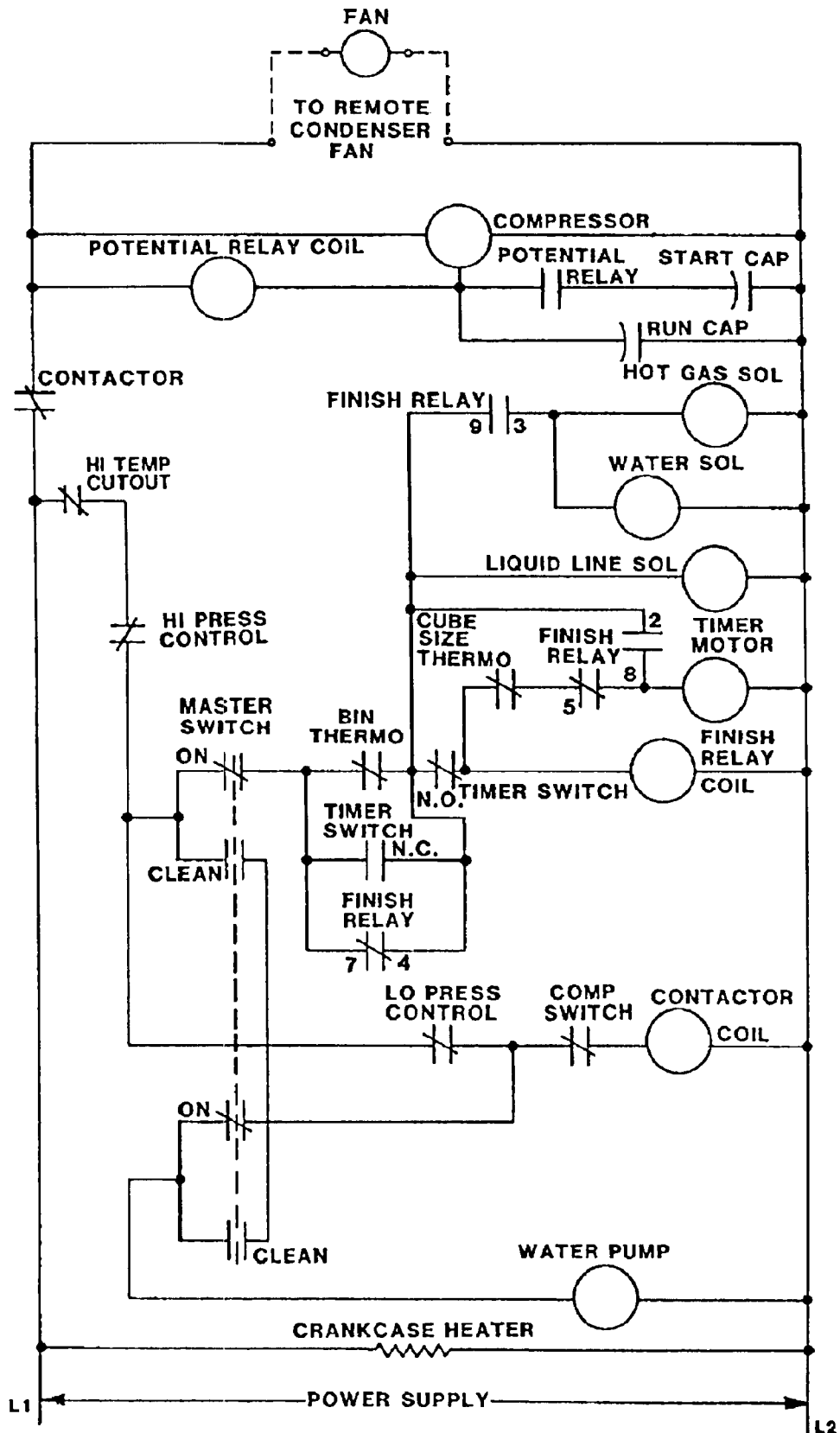
USE COPPER
CONDUCTORS
ONLY

LINE VOLTAGE 208/230/60/1.
SEE NAMEPLATE FOR MAXIMUM FUSE SIZE

JUNCTION BOX

CM650RE WIRING DIAGRAMS

Schematic Diagram for CM650RE-32E (208-230/60/1)



CM650RE WIRING DIAGRAMS

Component Layout Diagram for CM650RE-3E (208-230/60/3)

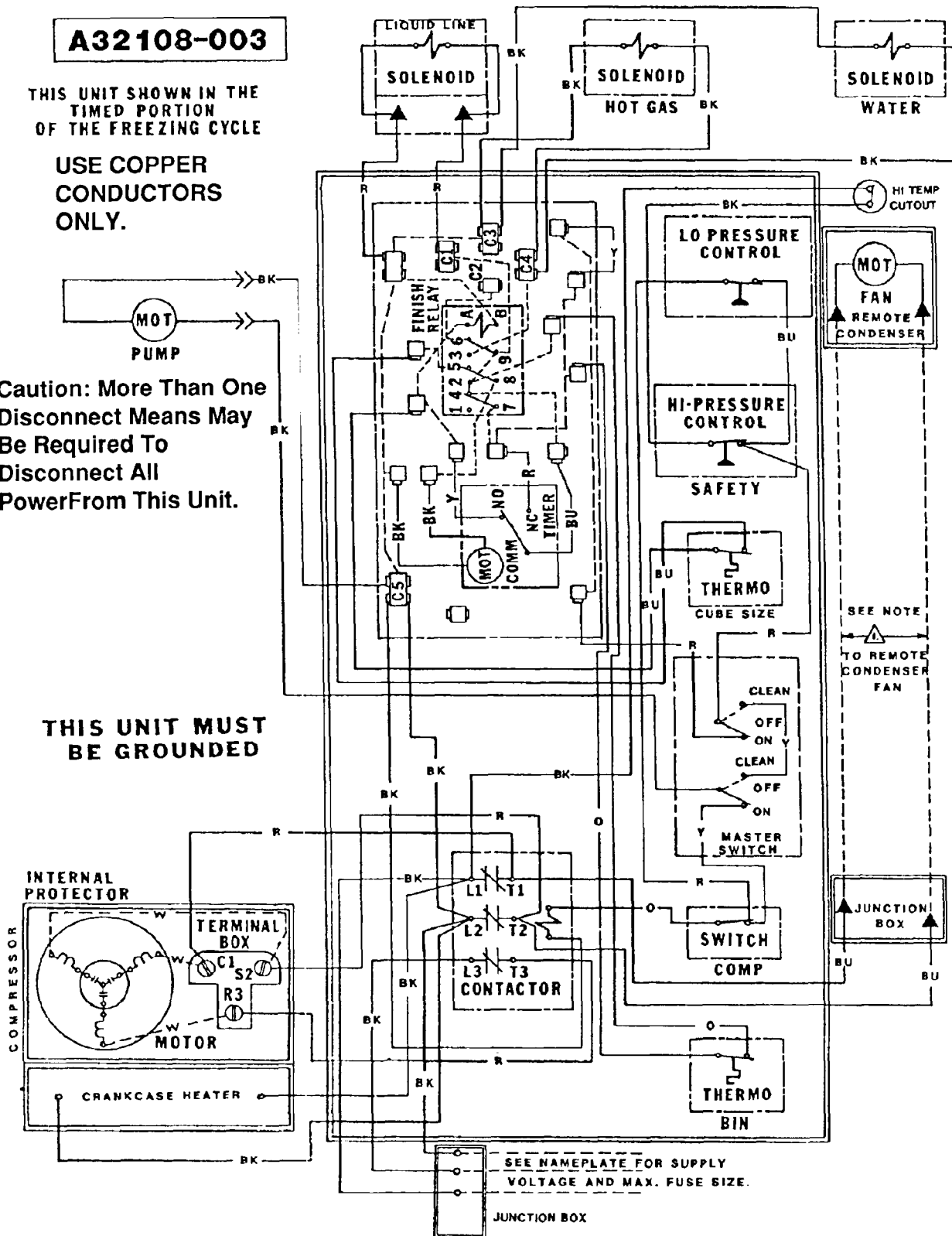
A32108-003

THIS UNIT SHOWN IN THE
TIMED PORTION
OF THE FREEZING CYCLE

USE COPPER
CONDUCTORS
ONLY.

Caution: More Than One
Disconnect Means May
Be Required To
Disconnect All
Power From This Unit.

THIS UNIT MUST
BE GROUNDED



CM650RE WIRING DIAGRAMS

Schematic Diagram for CM650RE-3E, (208-230/60/3)

