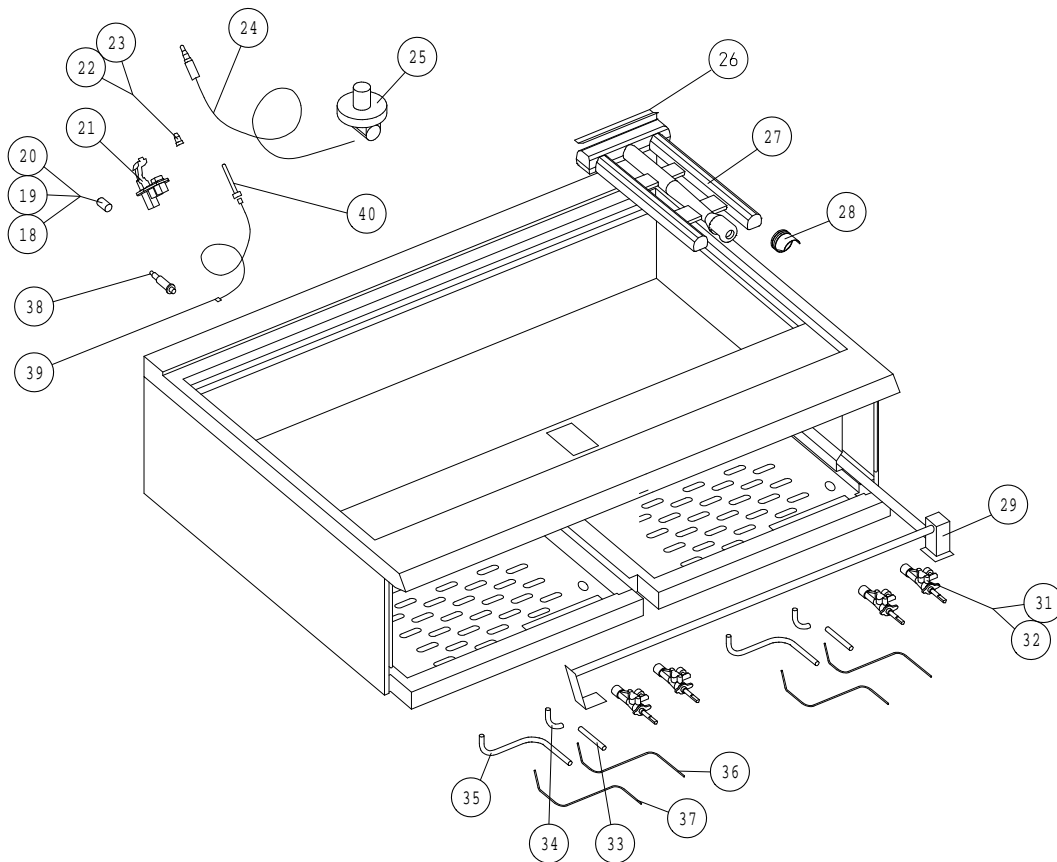
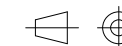


IF IN DOUBT ASK!!

DO NOT SCALE !!

First Angle Projection



G21224B CHARGRILL - CONTROLS

Part No.	Spares No.	Description
18	536000025	Burner Injector (Natural Gas)
19	536000026	Injector Holder (Propane Gas)
20	536000027	Amal Jet (Propane Gas)
21	536000028	Pilot Burner
22	536000029	Pilot Jet (Natural Gas)
23	536000030	Pilot Jet (Propane Gas)
24	536000031	Thermocouple
25	536000032	Gas Governor (Natural Gas) - 1/2"BSP
	536000044	Gas Governor (Natural Gas) - 3/4"BSP
26	536000033	Burner Shield
27	536000034	Burner
28	536000035	Burner Aeration Shroud
29	536020007	Float Rail Assembly
30	536000036	Pressure Test Nipple (Not Shown)
31	536000037	Gas Control Valve (Natural Gas)
32	536000038	Gas Control Valve (Propane Gas)
33	536000039	RH Burner Pipe (Tap To Elbow)
34	536000009	RH Burner Pipe (Elbow To Burner)
35	536000008	LH Burner Pipe
36	536000010	RH Pilot Pipe
37	536000011	LH Pilot Pipe
38	535950020	Spark Igniter
39	535950021	Electrode Lead
40	535950022	Pilot Electrode

All Dimensions in millimetres, Tolerance- Linear ±0.5mm Angular ±0.5° (or as stated)

Issue	Mod No.	Alteration	Zone	Drawn by	Date
B	5358	3/4"BSP GOVERNOR ADDED		I. HAMILTON	26-04-06
A	979	ISSUED FOR PRODUCTION		I. HAMILTON	15-12-03



This part is common to the following units

© No reproduction or publication of this drawing may be made and no article may be manufactured or assembled in accordance with this drawing without prior written consent. The prohibition is a condition of any contract relating to this drawing. Rights reserved under the Copyright Act 1956 as amended by the Design Copyright Act 1988.

**UNCONTROLLED**

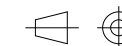
Drawn	I. HAMILTON	Product	G21224B CHARGRILL	
Date	25-11-03	Title	SPARES DIAGRAM - CONTROLS	
Scale	N. T. S.			
Matl.		Drawing Number	AD42594	Issue
No. off		Finish		B
Bin No.		Kraus No.		

Falcon Foodservice Equipment. Wallace View Hillfoots Road Stirling Scotland

IF IN DOUBT ASK!!

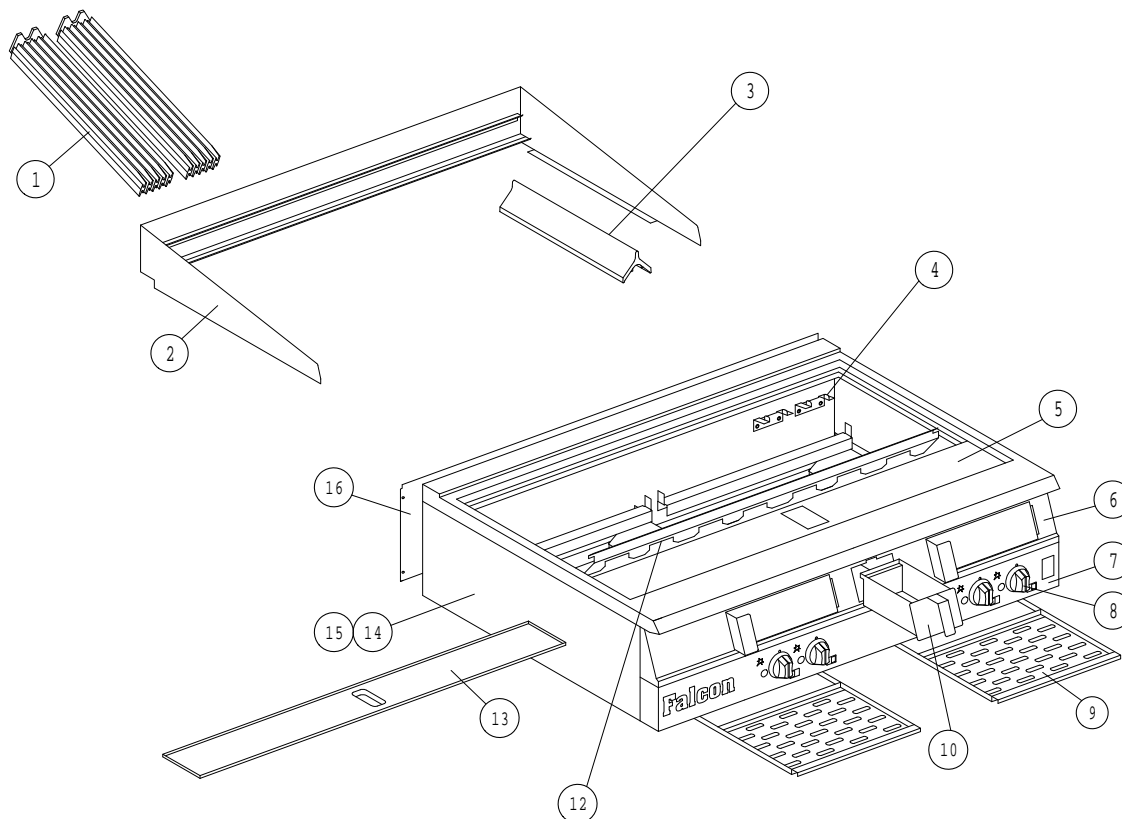
DO NOT SCALE !!

First Angle Projection



G21224B CHARGRILL - FITMENTS

Part No.	Spares No.	Description
1	536000018	Branding Grid
2	536020000	Splash Guard Assembly
3	536000019	Burner Radiant
4	536000020	Baffle Support Angle
5	536020001	Hob Assembly
6	536020002	Upper Front Facia Assembly
7	536020012	Lower Front Facia (Spark Ignition)
8	536000021	Control Knob
9	536000003	Drip Tray
10	536000013	Fat Jug Assembly
11	536000022	Magnetic Door Catch (Not Shown)
12	536020004	Brander Support Angle
13	536020005	Spill Tray
14	536000023	Outer Side Panel - LH
15	536000024	Outer Side Panel - RH
16	536020006	Outer Back Panel



All Dimensions in millimetres, Tolerance- Linear  $\pm 0.5\text{mm}$  Angular  $\pm 0.5^\circ$  (or as stated)

Issue	Mod No.	Alteration	Zone	Drawn by	Date
A	979	ISSUED FOR PRODUCTION		I. HAMILTON	15-12-03



Drawn	I. HAMILTON	Product	G21224B CHARGRILL	
Date	25-11-03	Title	SPARES DIAGRAM - FITMENTS	
Scale	N. T. S.	Matl.	_____	Drawing Number
		No. off	_____	Issue
		Bin No.	_____	AD42593
		Kraus No.	_____	A

No reproduction or publication of this drawing may be made and no article may be manufactured or assembled in accordance with this drawing without prior written consent. This prohibition is a condition of any contract relating to this drawing. Rights reserved under the Copyright Act 1956 as amended by the Design Copyright Act 1988.

This part is common to the following units

**UNCONTROLLED**

Falcon Foodservice Equipment. Wallace View Hillfoots Road Stirling Scotland