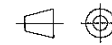


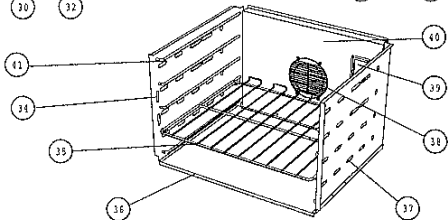
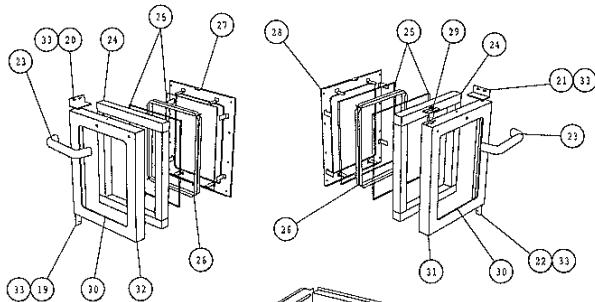
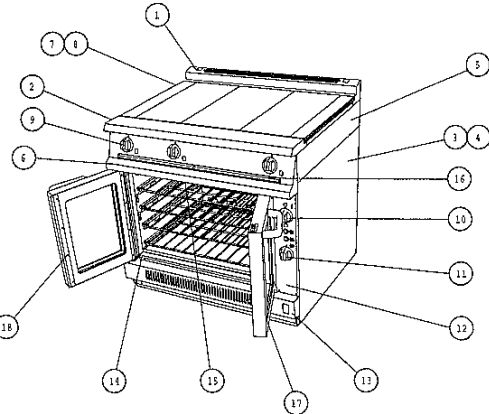
IF IN DOUBT ASK!!

DO NOT SCALE !!  
First Angle Projection



E2102 FITMENTS

| Part No | Spares No | Description               |
|---------|-----------|---------------------------|
| 1       | 535480046 | Rear hob rail             |
| 2       | 535480047 | Front hob rail            |
| 3       | 531740190 | L/H Outer oven side panel |
| 4       | 531740180 | R/H Outer oven side panel |
| 5       | 535500000 | Outer hob side panel      |
| 6       |           | Hob control panel 3 H/P   |
|         |           | Hob Control Panel 4 H/P   |
| 7       | 730960090 | Side Filling              |
| 8       | 730963121 | Side Drip Shed            |
| 9       | 731000002 | Control Knob (hob)        |
| 10      | 535500002 | Oven control knob         |
| 11      | 535500003 | Timer control knob        |
| 12      |           | Oven control panel        |
| 13      | 535500005 | Burner grill              |
| 14      | 731740302 | Oven door seal kit        |
| 15      | 531740066 | Oven door catch brkt      |
| 16      | 535480053 | Hob Drip Tray             |
| 17      | 535500006 | RH Door assembly          |
| 18      | 535500007 | LH Door assembly          |
| 19      | 535500008 | LH Bottom door hinge      |
| 20      | 535500009 | LH Top door hinge         |
| 21      | 535500010 | RH Top door hinge         |
| 22      | 535500011 | RH Bottom door hinge      |
| 23      | 535480055 | Door Handle               |
| 24      | 535500012 | Door insulation           |
| 25      | 535500013 | Door glass                |
| 26      | 535500014 | Door glass spacer         |
| 27      | 535500015 | LH Inner door panel       |
| 28      | 535500016 | RH Inner door panel       |
| 29      | 535480054 | Door Catch                |
| 30      | 734350060 | Door seal 2.1 M           |
| 31      | 535500017 | RH outer door panel       |
| 32      | 535500018 | LH outer door panel       |
| 33      | 535480077 | Door hinge bush           |
| 34      | 731740230 | LH oven lining            |
| 35      | 731740250 | Oven shelf                |
| 36      | 731740260 | Oven bottom panel         |
| 37      | 731740220 | RH oven lining            |
| 38      | 731740310 | Fan Guard                 |
| 39      | 731740352 | Oven Light lens           |
| 40      | 731742070 | Oven rear lining          |
| 41      | 731740240 | Oven shelf runner         |



All Dimensions in millimetres, Tolerance- Linear  $\pm 0.5\text{mm}$  Angular  $\pm 0.5^\circ$  (or as stated)

|         |             |                |                            |       |
|---------|-------------|----------------|----------------------------|-------|
| Drawn   | I. HAMILTON | Product        | E2102 CONVECTION RANGE     |       |
| Date    | 14-04-04    | Title          | E2102 FITMENTS SPARES INFO |       |
| Scale   | N.T.S       |                |                            |       |
| Mail.   |             | Drawing Number |                            | Issue |
| No. off |             | AA42506        |                            | A     |
| Bin No. |             | Kraus No.      |                            |       |

|   |       |                       |            |             |          |      |
|---|-------|-----------------------|------------|-------------|----------|------|
| A | 1007  | ISSUED FOR PRODUCTION |            | I. HAMILTON | 14-04-04 |      |
| G | Issue | Mod No.               | Alteration | Zone        | Drawn by | Date |

This part is common to the following units

© No reproduction or publication of this drawing may be made and no write may be manufactured or assembled in accordance with this drawing without prior written consent. This prohibition is a term of any contract relating to this drawing. Rights reserved under the Copyright Act 1956 as amended by the Design Copyright Act, 1988.

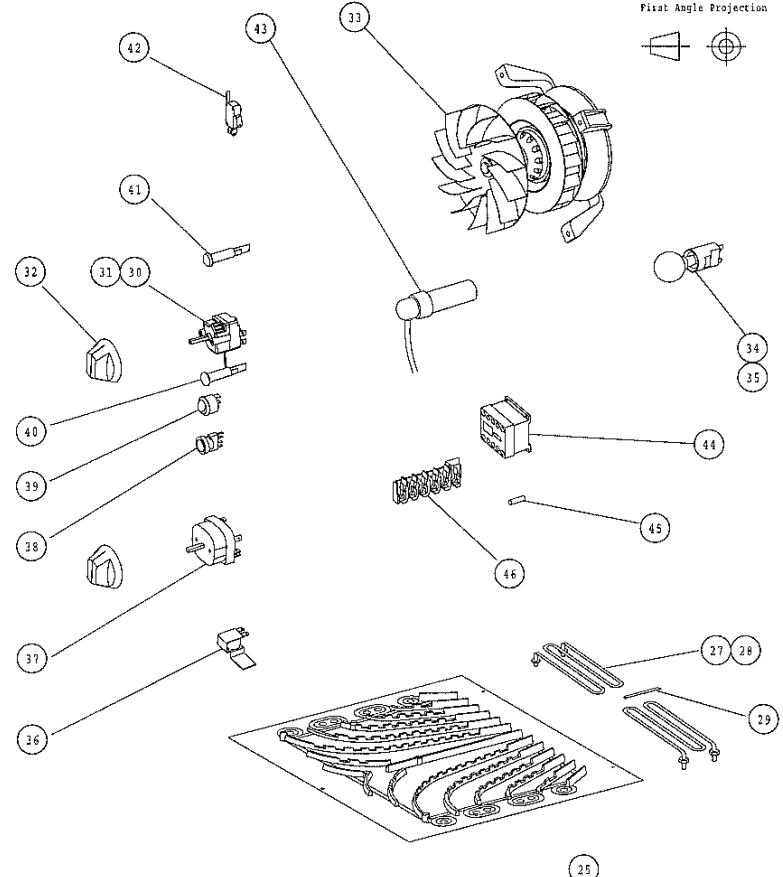
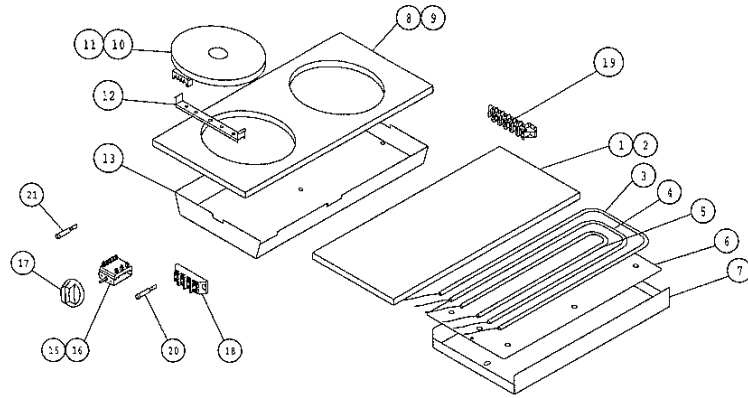
CONTROLLED



Falcon Foodservice Equipment. Wallace View Hillfoots Road Stirling Scotland

IF IN DOUBT ASK!!

DO NOT SCALE !!  
First Angle Projection



E2102

| Item | Spares No. | Description                         |
|------|------------|-------------------------------------|
| 1    | 730960010  | Rectangular Hotplate Assembly       |
| 2    | 730960100  | Rectangular Hotplate Casting        |
| 3    | 730960040  | Element Outer                       |
| 4    | 730960030  | Element Intermediate                |
| 5    | 730960020  | Element Inner                       |
| 6    | 730960150  | Element Clamp Plate                 |
| 7    | 730964060  | Hotplate Lagging Box                |
| 8    | 730960114  | Round Hotplate Assembly             |
| 9    | 730960101  | Round Hotplate Casting              |
| 10   | 730960110  | Hotplate Assembly                   |
| 11   | 730960050  | Hotplate                            |
| 12   | 730960115  | Fixing Bracket                      |
| 13   | 730964160  | Cover Plate                         |
| 14   | 730960116  | Seal for Round Hotplate (not shown) |
| 15   | 730960070  | 6 Position Switch                   |
| 16   | 731000005  | 6 Position Switch c/w Knob          |
| 17   | 731000002  | 6 Position Switch Knob Only         |
| 18   | 730960112  | Terminal Block Porcelain            |
| 19   | 731000006  | Terminal Block Incoming             |
| 20   | 731000007  | Neon Amber                          |
| 21   | 731000008  | Neon Red                            |

E2102 & E2112

| Item | Spares No. | Description                               |
|------|------------|---|
| 22   | 731740570  | Live Bus Bar Assy (not shown)             |
| 23   | 731740580  | Neutral Bus Bar Assy (not shown)          |
| 24   | 731740591  | Heat Exchanger Clamp (not shown)          |
| 25   | 731742000  | Heat Exchanger                            |
| 26   | 731742110  | Heat Exchanger Insulation Box (not shown) |
| 27   | 731740520  | Oven Element                              |
| 28   | 731740521  | Oven Element Set of 6                     |
| 29   | 731742020  | Set of (6) Element Clamps                 |
| 30   | 535500039  | Oven Thermostat                           |
| 31   | 731000009  | Oven Thermostat c/w Knob                  |
| 32   | 535500002  | Oven Thermostat Knob Only                 |
| 33   | 531740330  | Oven Fan                                  |
| 34   | 531740341  | Lamp Holder                               |
| 35   | 531740340  | Oven Lamp                                 |
| 36   | 535500035  | Buzzer                                    |
| 37   | 535500036  | Timer                                     |
| 38   | 535500037  | Oven Light Switch                         |
| 39   | 535500038  | Power Switch                              |
| 40   | 731000008  | Neon Red                                  |
| 41   | 731000007  | Neon Amber                                |
| 42   | 531740480  | Door Microswitch                          |
| 43   | 531740400  | Capacitor                                 |
| 44   | 731740510  | Contactator                               |
| 45   | 731050002  | Fuse 2A                                   |
| 46   | 731000006  | Terminal Block                            |

Note:-  
Items 8 to 14 are used on 4 HP models only

All Dimensions in millimetres, Tolerance- Linear  $\pm 0.5\text{mm}$  Angular  $\pm 0.5^\circ$  (or as stated)

|         |             |                |                                |       |
|---------|-------------|----------------|--------------------------------|-------|
| Drawn   | I. HAMILTON | Product        | E2102/12 CONVECTION RANGE      |       |
| Date    | 19-04-04    | Title          | E2102/12 ELECTRICS SPARES INFO |       |
| Scale   | N.T.S       |                |                                |       |
| Matl.   |             | Drawing Number | AA42507                        | Issue |
| No. off |             | Finish         |                                | A     |
| Bin No. | RZZ356      | Kraus No.      |                                |       |

| Issue | Mod No. | Alteration | Zone | Drawn by | Date |
|-------|---------|------------|------|----------|------|
|       |         |            |      |          |      |

This part is common to the following units

No reproduction or publication of this drawing may be made and no article may be manufactured or assembled in accordance with this drawing without prior written consent. This prohibition is a term of any contract relating to this drawing. Rights reserved under the Copyright Act 1958 as amended by the Design Copyright Act 1988.

**CONTROLLED**



Falcon Foodservice Equipment. Wallace View Hillfoots Road Stirling Scotland