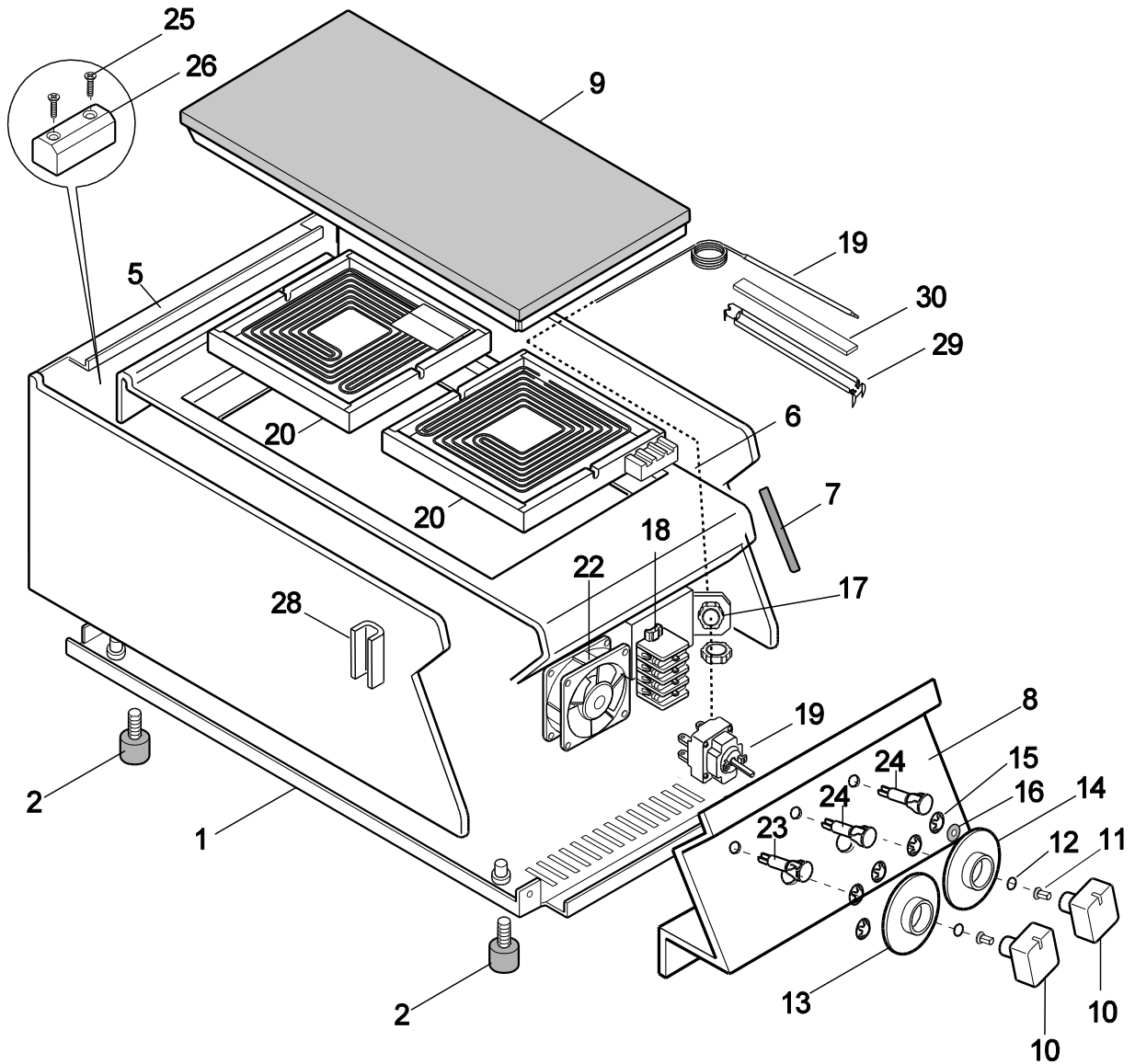


**TUTTAPIASTRA ELETTRICO E900 XP**  
**ELECTRIC HOB E900 XP**

<b>PNC</b>	<b>Model</b>	<b>Ref</b>	<b>Pag.</b>	<b>Brand</b>	<b>Version</b>	<b>Notes</b>
391046	E9HOED2000	a		ELX	EL	ELECTRIC HOB COOKING TOP 400MM
392046	Z9HOED2000	b		ZAN	EL	ELECTRIC HOB COOKING TOP 400MM
393046	O9HOED2000	c		OEM	EL	ELECTRIC HOB COOKING TOP 400MM

<b>Pag</b>	<b>Index</b>	<b>Indice</b>	<b>Note</b>
2	General componets	Componenti struttura	
3	Spare parts list	Lista ricambi	

Brand/Marchio: All  
Factory code: 9PDX



**TUTTAPIASTRA ELETTRICO E900XP  
ELECTRIC HOB E900XP**

Pos	Factory Code	6DGT Code	Descrizione	Description	Ref./Note
1	0529865509	0C2379	FONDO KI/E1 400 INFRAR	BOTTOM PANEL	
2	0315252601	026806	PIEDINO COMPRENSIVO DI VITE	FOOT	
3					
4					
5	085089DR01		FASCIA TOP 400	EXTERNAL PANEL 400	ELX
5	085089DU02		FASCIA TOP 400	EXTERNAL PANEL 400	ZAN-OEM
6	087089D200	0C7903	ASS. RIPIANO PLAQUE MIJ 400	WORK TOP 400	ELX
6	087089H400	0C7864	ASS. RIPIANO PLAQUE MIJ 400	WORK TOP 400	ZAN-OEM
7	0543821900	0C2496	GUARNIZIONE AUTOADESIVA	GASKET	
<b>8</b>	<b>085089JV00</b>	<b>0CB226</b>	<b>KT/E1 ASS CRUSCOTTO PM 400</b>	<b>CONTROL PANEL</b>	<b>ELX</b>
8	085089JW00		KT/E1 ASS CRUSCOTTO PM 400	CONTROL PANEL	ZAN
8	080083AG00		KT/E1 ASS CRUSCOTTO PM 400	CONTROL PANEL	OEM
9	0831815501	0C2131	NFT ASS PIASTRA 400 PM	PLATE	
10	0511850G01	0C6670	MANOPOLA	KNOB	ELX
10	0548878201	0C7232	MANOPOLA	KNOB	ZAN
10	0548865500	0A5621	MANOPOLA	KNOB	OEM
11	0548877V00	0C7345	ADATTATORE MANOPOLA	KNOB ADAPTER	ELX
12	0543821000	053816	GUARNIZIONE PER MANOPOLA	GASKET	
13	0548877T00	0C7344	GHIERA SERIGRAFATA ANT	FRONT RING NUT	ELX
13	0548879S00	0C7245	GHIERA SERIGRAFATA ANT.	FRONT RING NUT	ZAN-OEM
14	0548877U00	0C7527	GHIERA SERIGRAFATA POST.	BACK RING NUT	ELX
14	0548879T00	0C7246	GHIERA SERIGRAFATA POST.	BACK RING NUT	ZAN-OEM
15	0218912211	069567	PIASTR.FISS.INDICE SFO2972	RING CONNECTION	
16	0541813800	0C6171	RONDELLA SILICONE	SILICONE WASHER	
17	0544802300	0C0068	PRESSACAVO	FIXING CABLE	
18	0639805001	059239	MORSETTIERA DI ALIMENTAZIONE	TERMINAL BOARD	
19	0646816700	0C4278	TERMOSTATO DI LAVORO	WORKING THERMOSTAT	
20	0617830400	0C2128	PIASTRA EL 240V 3500W	HEATING ELEMENT 240V 3500W	
21	*	*	*	*	
22	0624808200	0C2378	VENTILATORE EBMPAPST 4656N	FAN	
23	0876800002	005010	ASS. LAMPADIE VERDE TONDA	PILOT LAMP; GREEN	
24	0876800102	005011	ASS. LAMPADA ARANCIO TONDA	PILOT LAMP; YELLOW	
25	0217013405	*****	VITE TE M5X40	SCREW	
26	0516860700	0C0137	PIASTRA FILETTATA FISS.RIPIANO	PLATE	
27					
28	0527850500	0C0156	RINFORZO FISS.FIANCHI N900	REINFORCEMENT	
29	0528877500	0C4333	SUPPORTO BULBO	BULB SUPPORT	
30	0569806400	0C4334	ISOLAMENTO BULBO	BULB INSULATION	