

G4SA77P

G4SA77P

CATALOGO PARTI DI RICAMBIO
CATALOGUE PIECES DETACHEES
ERSATZTEILKATALOG
SPARE PARTS CATALOGUE





**Catalogo parti di ricambio valido
dalla matricola 0000001 (31.10.2006) ad oggi (09.01.2017)**

**Catalogue pieces detachees
valable à partir du numero de Série n. 0000001 (31.10.2006) jusqu'à aujourd'hui
(09.01.2017)**

**Ersatzteilkatalog
gültig ab Serien-Nr. 0000001 (31.10.2006) bis heute (09.01.2017)**

**Spare parts catalogue
valid from serial no. 0000001 (31.10.2006) up today (09.01.2017)**

**Catálogo de peças de reposição
válido do número de série 0000001 (31.10.2006) até hoje (09.01.2017)**

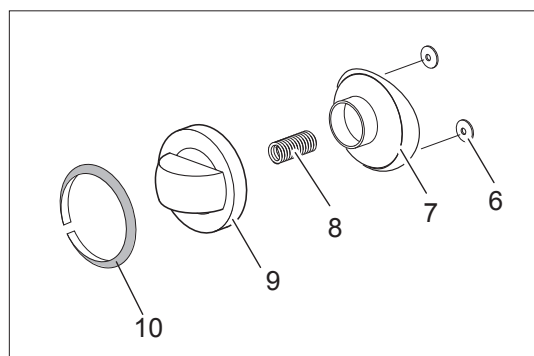
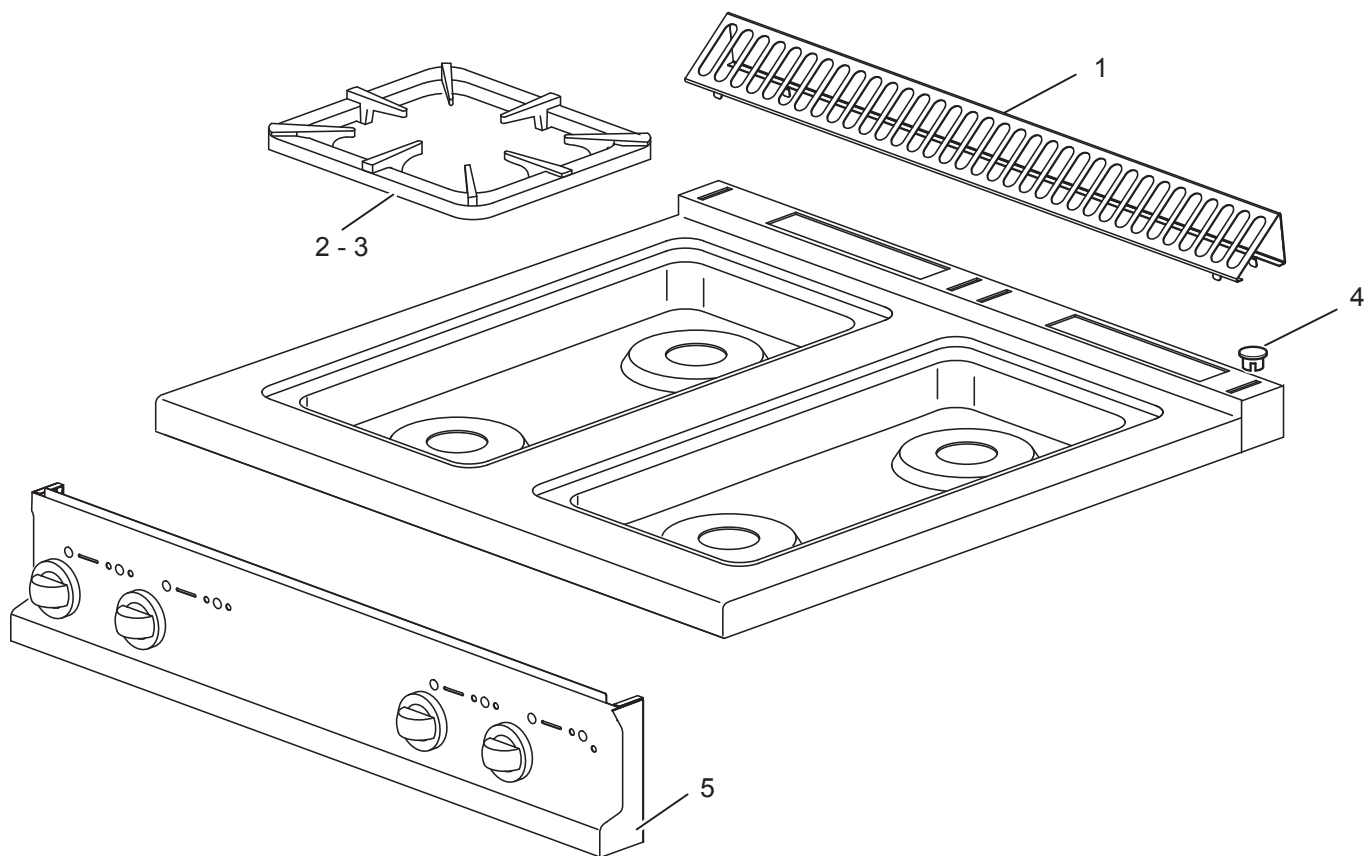
Le informazioni sono considerate non vincolanti. Le immagini rappresentate sono puramente indicative. Il produttore si riserva il diritto di apportare modifiche in qualsiasi momento senza preavviso.

Les informations données ne sont pas contraignantes. Les images montrées sont à titre indicatif. Le producteur se réserve le droit d'apporter des modifications sans préavis.

Die im vorliegenden Dokument aufgeführten Informationen und Bilder sind unverbindlich. Der Hersteller behält sich das Recht vor, jederzeit ohne vorherige Ankündigung Änderungen vorzunehmen

Info and drawing could be slightly different from reality and they cannot be considered as compelling. Manufacturer can modify info anytime without forewarning.

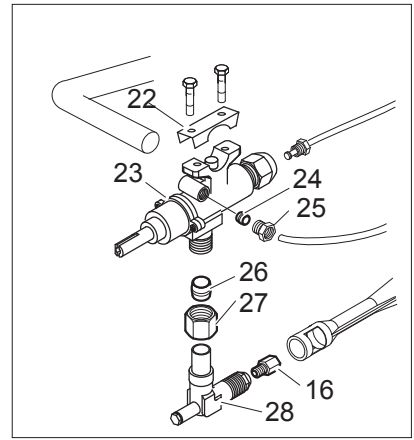
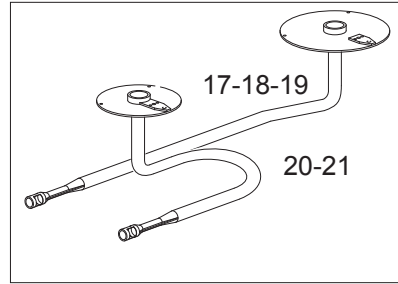
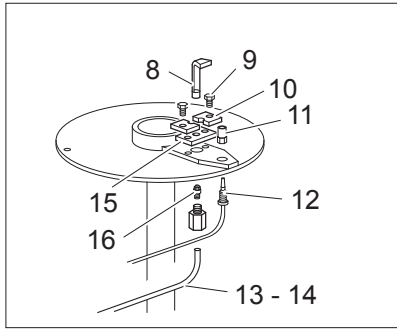
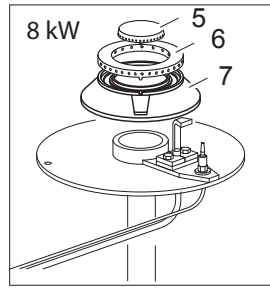
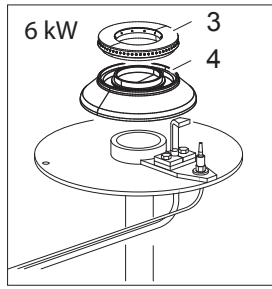
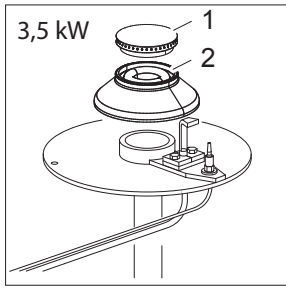
As Informações e desenhos podem estar um pouco diferente da realidade e são puramente indicativas. O fabricante pode modificar estas informações a qualquer momento sem aviso prévio.



| Nr. | Code | Title | Recommended |
|------------|-------------|---|--------------------|
| 1. | 184977 | <i>GRILLE POUR CHEMINÉE</i> | |
| 2. | RTCU700274 | <i>GRILLE PL.G4S7 NOIRE/LUC/RAAF</i> | N |
| 3. | 180769 | <i>STAINLESS STEEL GRID FOR 2 BURNERS</i> | N |
| 4. | 163603 | <i>BOUCHON FIX.PLAQUE DOMINA</i> | N |
| 5. | 171594 | <i>CONTROL PANEL</i> | N |
| 6. | 176318 | <i>ELASTIC METAL CLIP -WASHER DIAM 4 MM</i> | S |
| 7. | 171439 | <i>GAS VALVE KNOB HOUSING G4S11</i> | S |
| 9. | 171437 | <i>GAS VALVE KNOB BODY G4S77 SILVER</i> | S |
| 10. | 174332 | <i>GAS VALVE KNOB LABEL G2S11</i> | S |



| Nr. | Code | Title | Recommended |
|------------|-------------|---------------------------------|--------------------|
| 1. | 167252 | <i>BACK SIDE</i> | N |
| 2. | 173523 | <i>LATERAL SIDE</i> | N |
| 3. | RTCU700277 | <i>PIED+BOUCHON S.G4SF7/145</i> | N |



| Nr. | Code | Title | Recommended |
|------------|-------------|--|--------------------|
| 3. | RTCU700376 | <i>CHAPEAU DE BRULEUR 6KW G4SF7</i> | S |
| 4. | RTCU700382 | <i>BRUL.6KW G4SF7 EMAILL.</i> | S |
| 8. | RTCU700372 | <i>PILOTE P.L.+IN.035 G4SF7 GK803MBM</i> | S |
| 9. | RTMIN00063 | <i>SCREW</i> | N |
| 10. | 172882 | <i>Pilot fixing plate G4SF7</i> | N |
| 11. | RTCU700391 | <i>ECROU FIX.THERMOCOUPLE G4SF7 G6049023</i> | N |
| 12. | RTCU700374 | <i>THERMOCOUPLE 60 P.L.G4SF7 G1712214</i> | S |
| 13. | 173386 | <i>FRONT BURNER PILOT PIPE</i> | N |
| 14. | 173387 | <i>BACK BURNER PILOT PIPE</i> | N |
| 15. | 172883 | <i>PILOT GASKET G4SF7/1</i> | S |
| 16. | INIETTORE | <i>SEE HANDBOOK NOZZLES</i> | N |
| 17. | 173327 | <i>BACK BURNER DISTRIBUTION PIPE 6KW</i> | N |
| 20. | 173325 | <i>FRONT BURNER DISTRIBUTION PIPE 6KW</i> | N |
| 22. | 167184 | <i>SAFETY VALVE BRIDLE</i> | S |
| 23. | 167997 | <i>GAS TAP G4S77</i> | S |
| 24. | RTCU900018 | <i>BICONE D.6 PEL0905</i> | S |
| 25. | RTCU900019 | <i>ECROU D.6 PEL0903/1</i> | S |
| 26. | RTCU900012 | <i>BICONE D.10</i> | S |
| 27. | RTCU700297 | <i>ECROU D.10 FIX/SORTIE ROB.V.21S</i> | S |
| 28. | 173320 | <i>INJECTOR SUPPORT</i> | N |