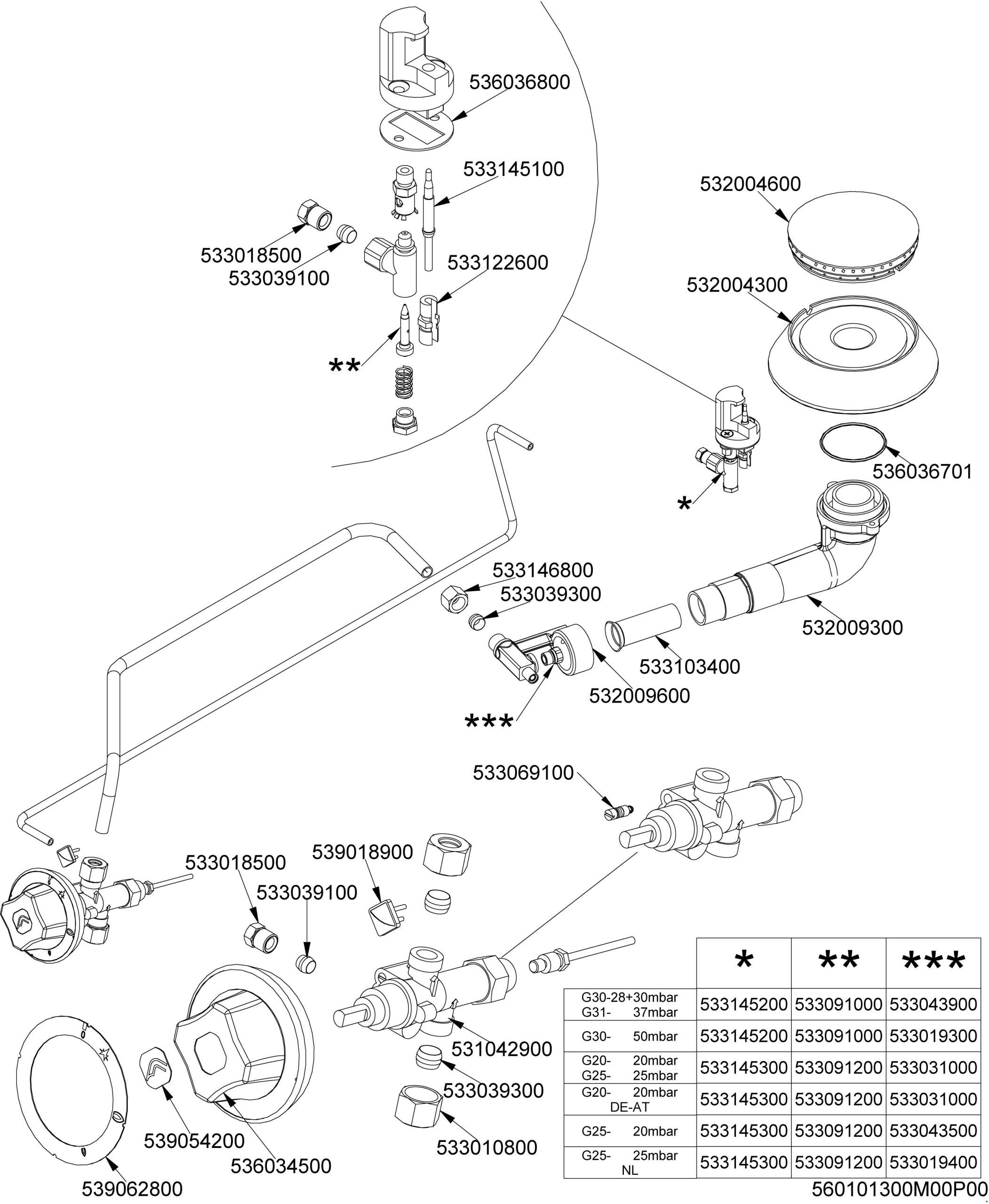
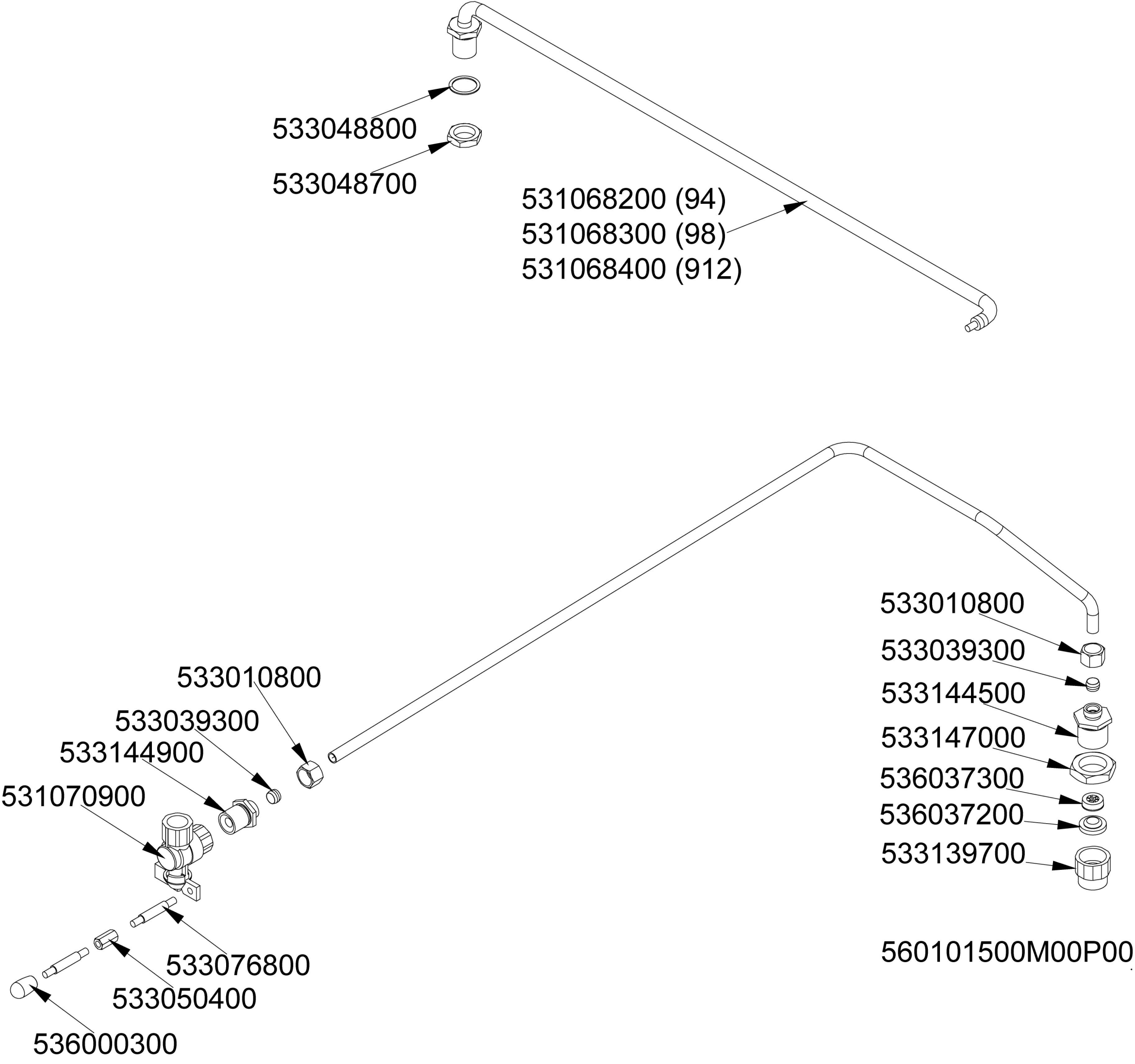


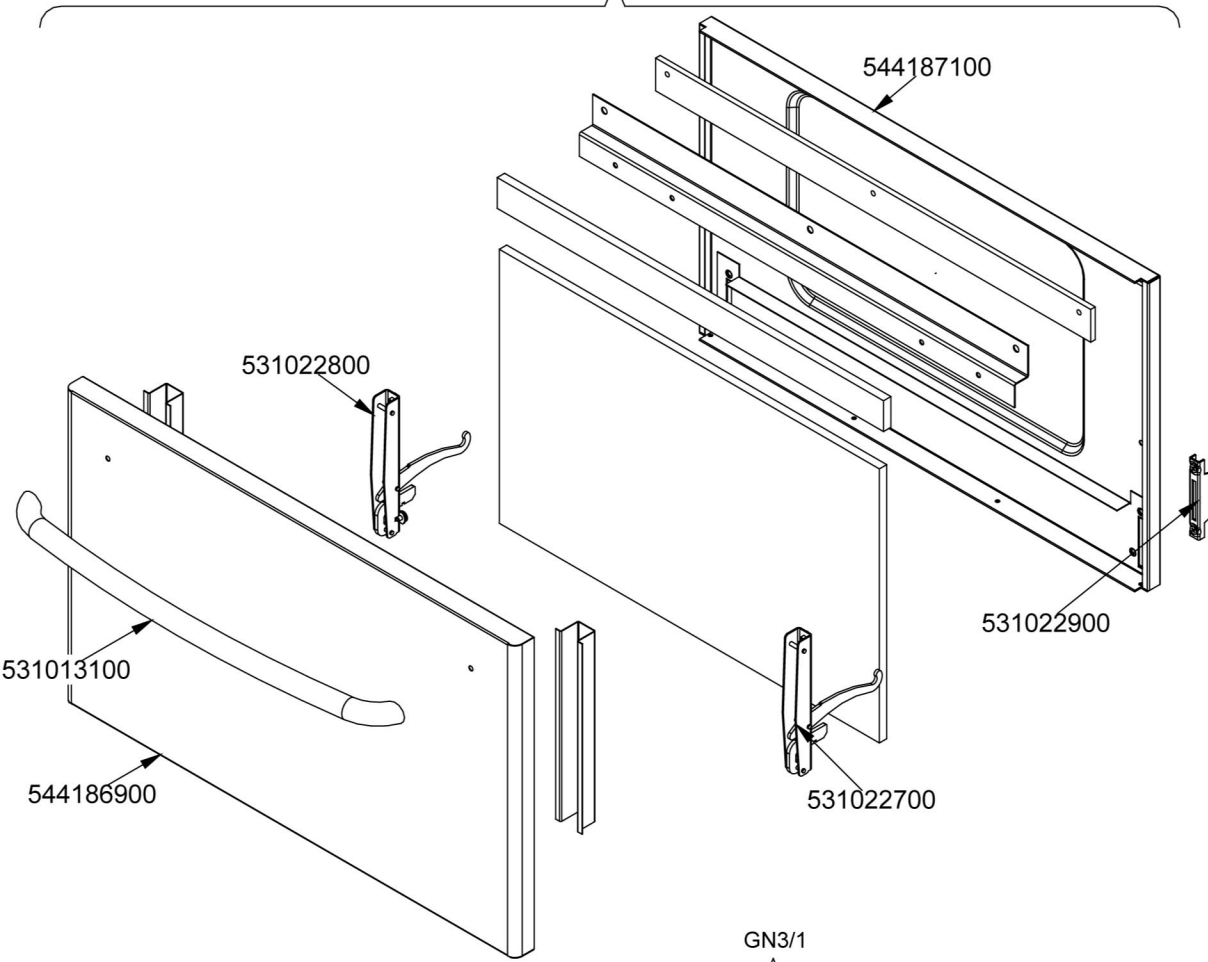
	*	**	***
G30-28+30mbar G31- 37mbar	533145200	533091000	533015200
G30- 50mbar	533145200	533091000	533030600
G20- 20mbar G25- 25mbar	533145300	533091200	533055100
G20- 20mbar DE-AT	533145300	533091200	533055100
G25- 20mbar	533145300	533091200	533055300
G25- 25mbar NL	533145300	533091200	533014500



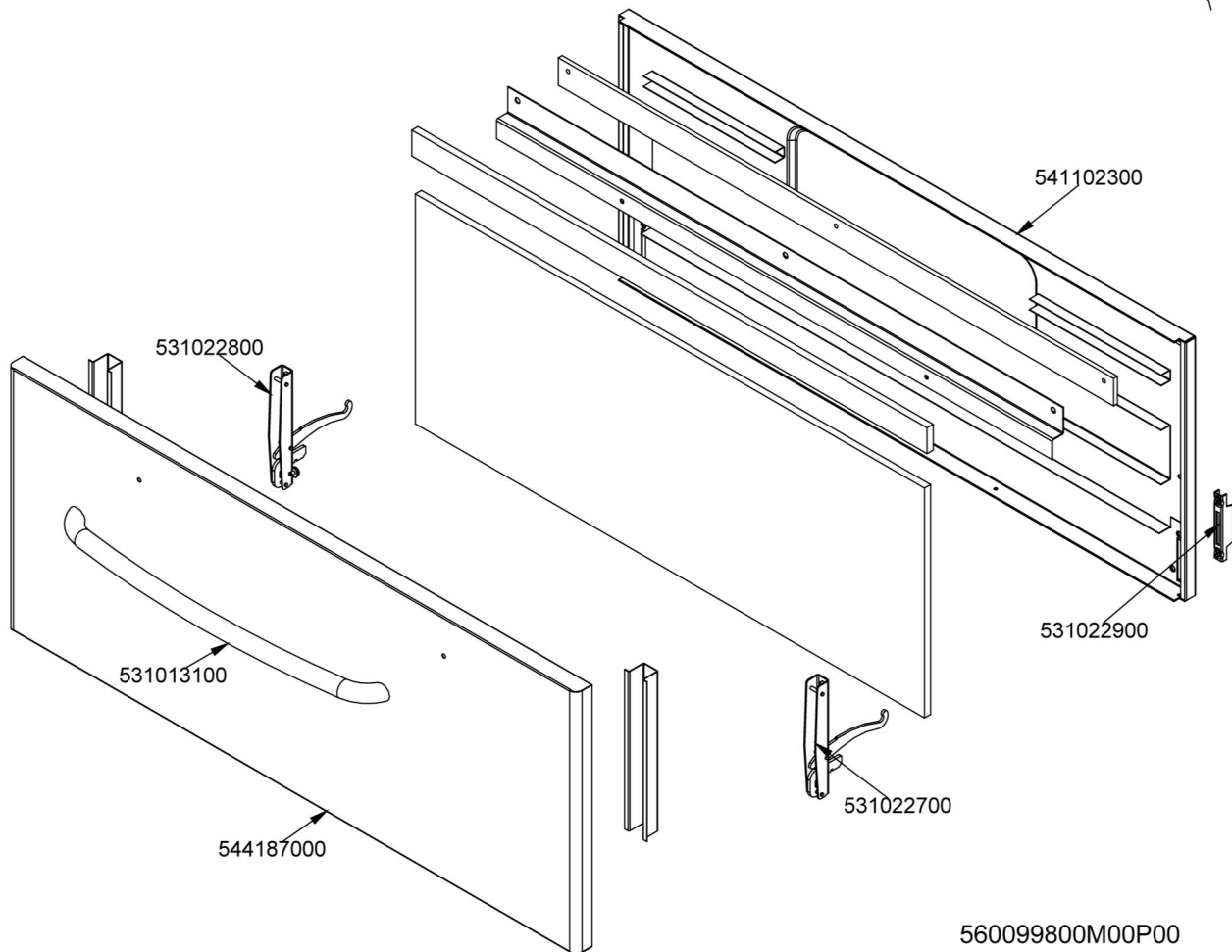
	*	**	***
G30-28+30mbar G31- 37mbar	533145200	533091000	533043900
G30- 50mbar	533145200	533091000	533019300
G20- 20mbar G25- 25mbar	533145300	533091200	533031000
G20- 20mbar DE-AT	533145300	533091200	533031000
G25- 20mbar	533145300	533091200	533043500
G25- 25mbar NL	533145300	533091200	533019400



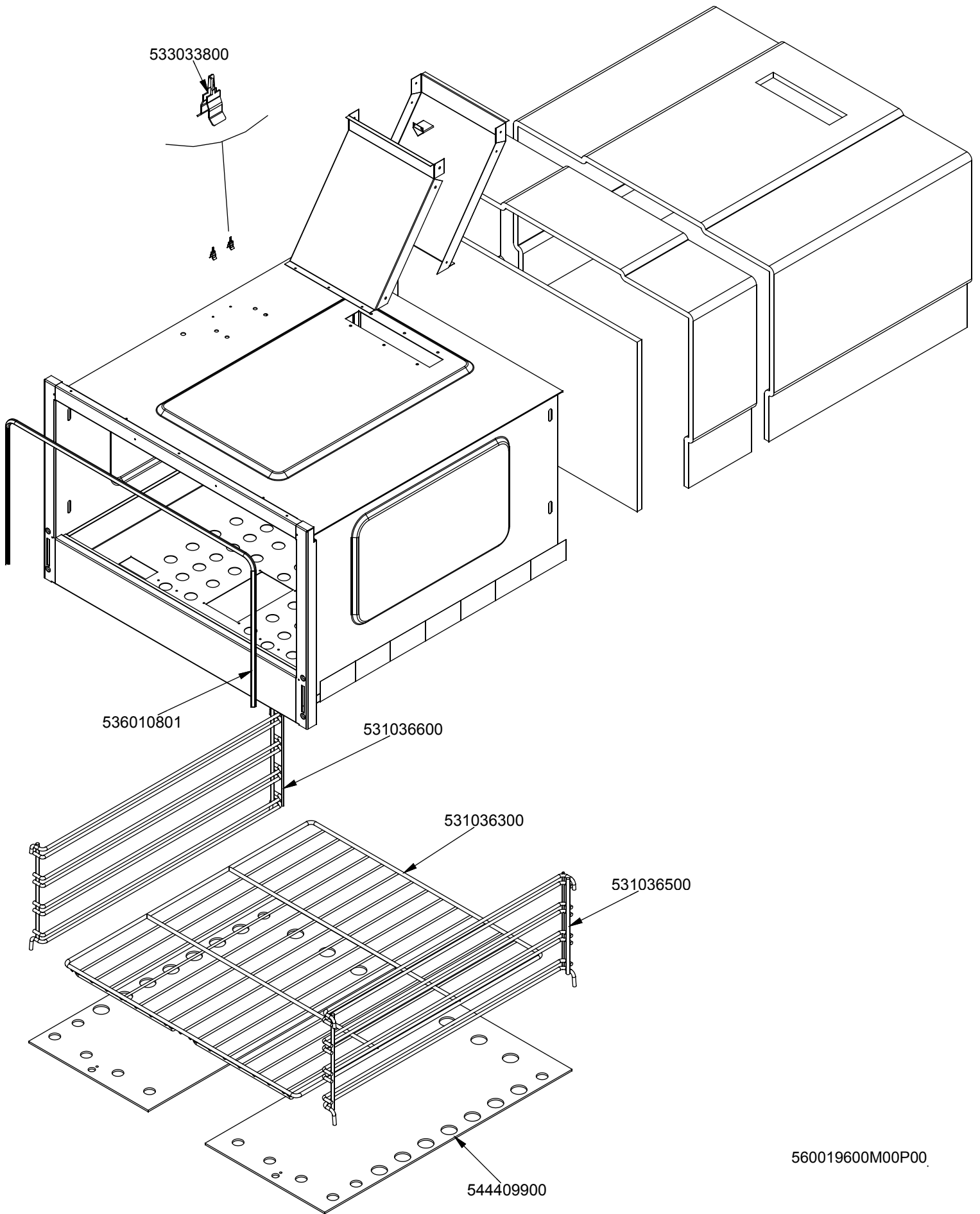
GN2/1

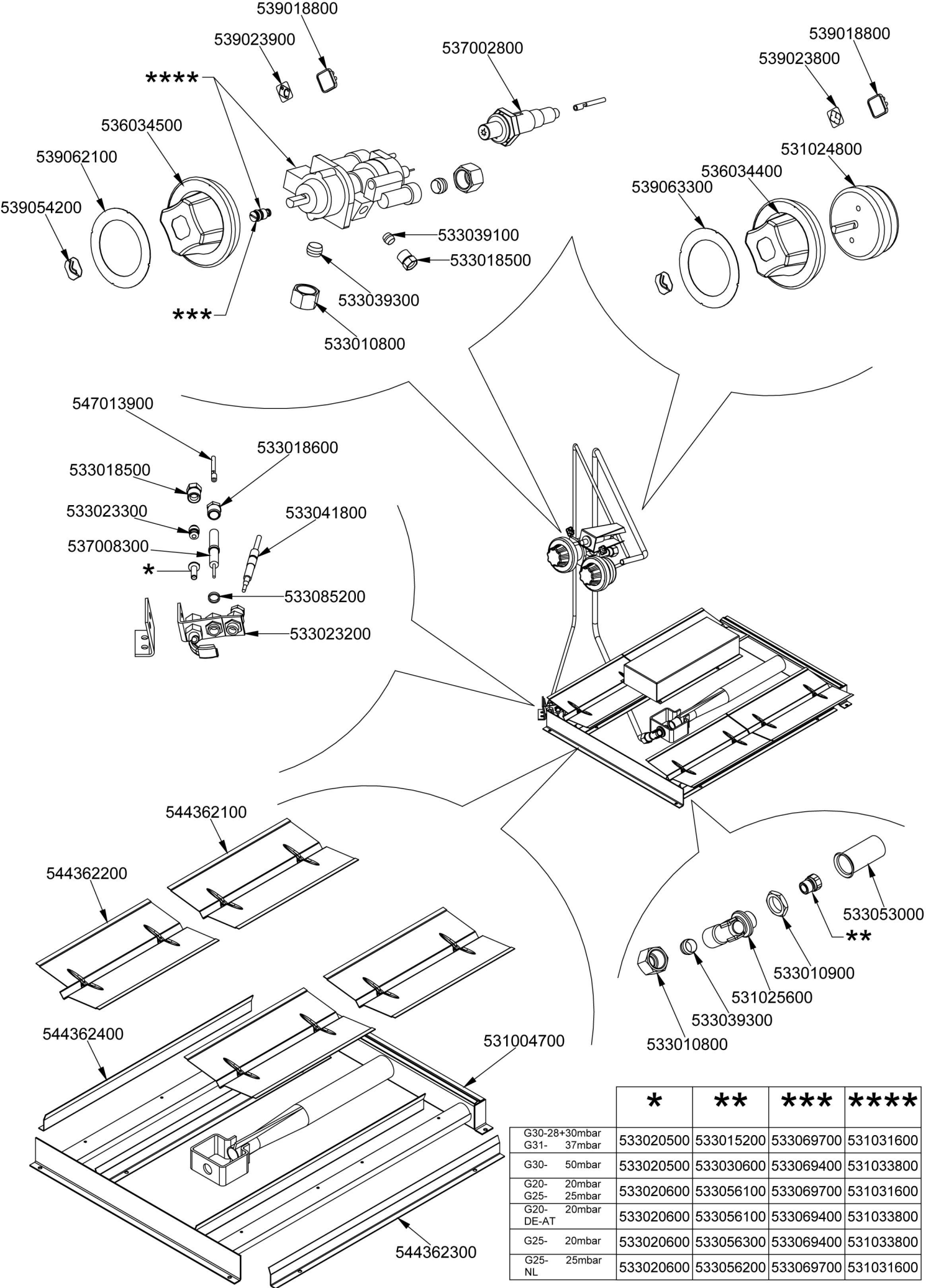


GN3/1

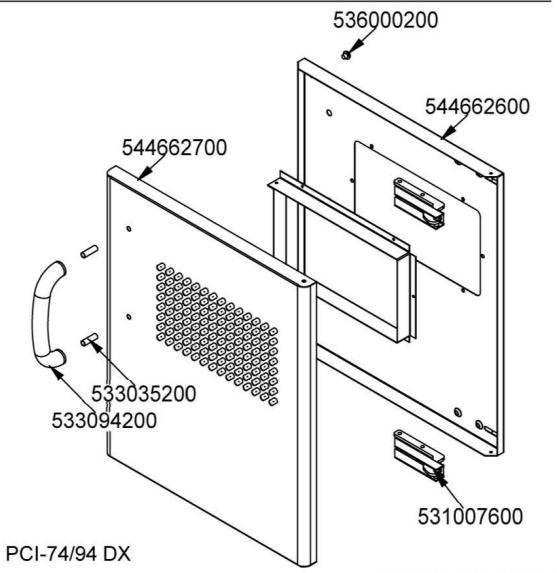
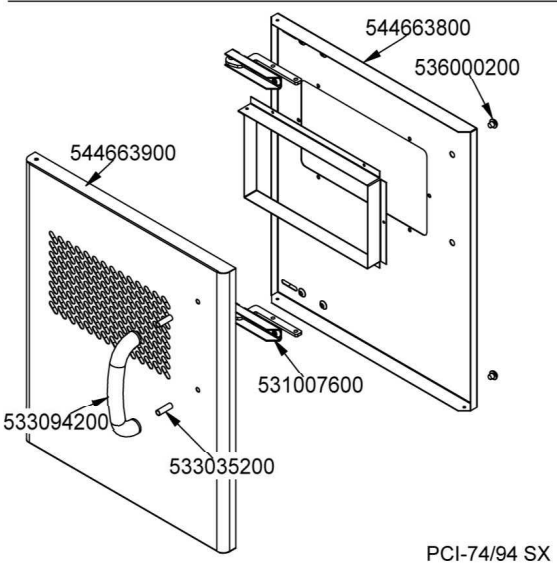
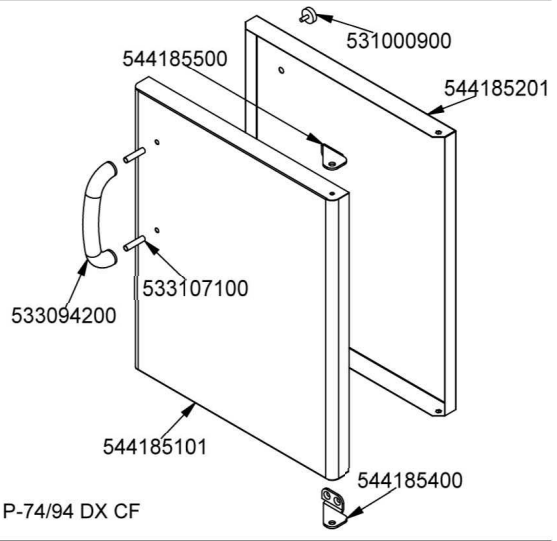
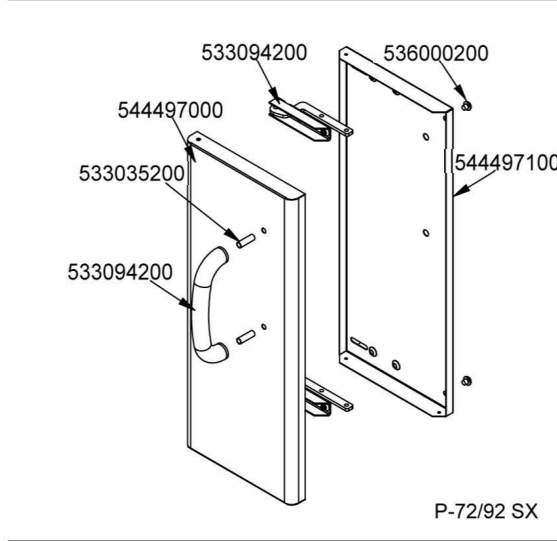
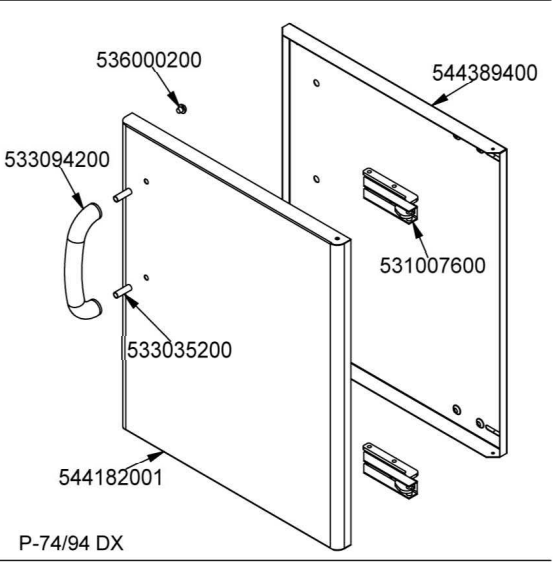
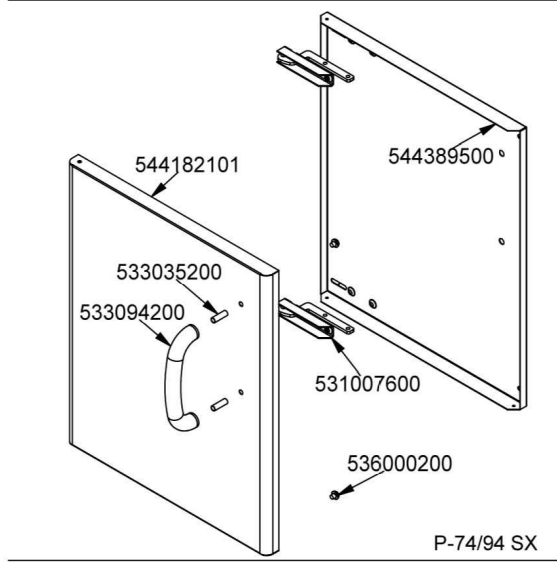
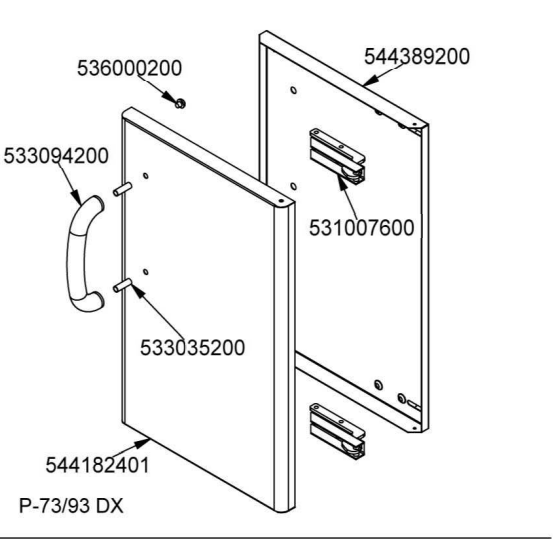
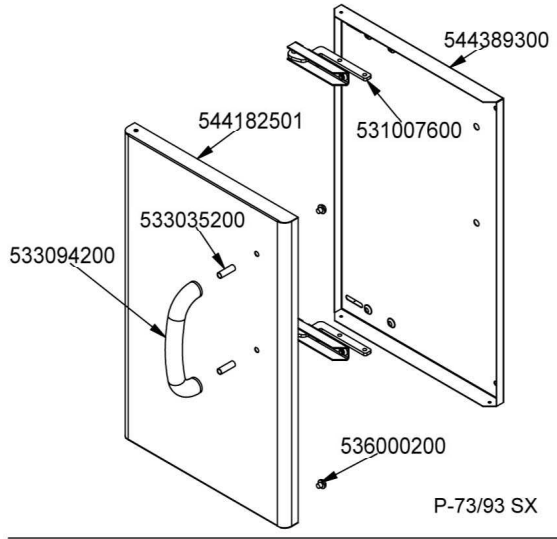


560099800M00P00





	*	**	***	****
G30-28+30mbar	533020500	533015200	533069700	531031600
G31- 37mbar	533020500	533030600	533069400	531033800
G30- 50mbar	533020600	533056100	533069700	531031600
G20- 20mbar	533020600	533056100	533069400	531033800
G25- 25mbar	533020600	533056300	533069400	531033800
G20- 20mbar	533020600	533056200	533069700	531031600
DE-AT				
G25- 20mbar				
G25- 25mbar				
NL				



Page	Pos	Code	Description
001		532004100	FLUE GRID L=370 90LINE (RAF
001		541292100	OVERFLOW SET FOR PCA
001		531067700	2 BURNER GRID FOR PCA-900
001		541289900	UPPER PLAN S90 PCA-912G
001		544407200	RIGHT SIDE PANEL RANGE 70 LINE
001		541188201	CONTROL PANEL S607090 CFA6-912G
001		544407100	RIGHT SIDE PANEL RANGE 90 LINE
001		536005200	INOX LEG 2" 120-180 M10
002		536036800	GASKET FOR PILOT BURNER PCA
002		533145100	THERMOCOUPLE 750
002		533039100	BICONE §6
002		533018500	FITTING FOR BICONE D.6 M10*1
002		533122600	FITTING THERMOCOUPLE M8X1 M9X1
002		532004700	BURNER COVER RING UR D128
002		532004400	BIG BURNER BODY 70LINE P.
002		536036701	BURNER GASKET PCA
002		533103500	AIR ADJUSTMENT BUSHING D22 EST.H57
002		532009600	BURNER VENTURI FITTING A3
002		533039300	BICONE §10
002		533146800	BICONE FITTING §10 3/8G FEM.SABAF
002		532009400	BURNER VENTURI A3 8,5KW S90 PCA
002		533038800	75 BY-PASS FOR 21S TAP
002		539018900	INDEX FOR KNOB W/RED SIGN
002		539062800	RED STICKING DISK 72
002		539054200	STAMP Ø20,5 CR."L" LOTUS R.
002		536034500	KNOB §77 4P. §08*6,5
002		533010800	TUBE NUT D.10 M16*1,5
002		531032000	GAS COCK P.V.BY-PASS Ø075
002		533145200	PILOT UG.Ø20
002		533145300	PILOT UG.Ø35
002		533091000	NOZZLE 0.100 §20
002		533091200	PILOT NOZZLE 0100 Ø35 PIL.PC
002		533015200	NOZZLE §145 CH12*14 F-FP/CP6
002		533030600	NOZZLE §125 CH12*14
002		533055100	NOZZLE §215 CH12*14 L-CW4
002		533055300	NOZZLE §235 CH12*14
002		533014500	NOZZLE §225 CH12*14 OVEN GN 2/1
003		536036800	GASKET FOR PILOT BURNER PCA
003		533145100	THERMOCOUPLE 750
003		532004600	BURNER COVER RING R D104
003		532004300	MIDDLE BURNER BODY 70LINE P.
003		533122600	FITTING THERMOCOUPLE M8X1 M9X1
003		533018500	FITTING FOR BICONE D.6 M10*1
003		533039100	BICONE §6
003		536036701	BURNER GASKET PCA
003		533146800	BICONE FITTING §10 3/8G FEM.SABAF
003		533039300	BICONE §10
003		532009300	BURNER VENTURI 5,5KW
003		533103400	AIR ADJUSTMENT BUSHING D20 EST.H57
003		532009600	BURNER VENTURI FITTING A3
003		533069100	BY PASS COCK §60 20S

Page	Pos	Code	Description
003		539018900	INDEX FOR KNOB W/RED SIGN
003		539062800	RED STICKING DISK 72
003		539054200	STAMP Ø20,5 CR."L" LOTUS R.
003		536034500	KNOB §77 4P. §08*6,5
003		531042900	B.PASS §60 SAFETY COCK PC/CF 90
003		533010800	TUBE NUT D.10 M16*1,5
003		533145200	PILOT UG.Ø20
003		533145300	PILOT UG.Ø35
003		533091000	NOZZLE 0.100 §20
003		533091200	PILOT NOZZLE 0100 Ø35 PIL.PC
003		533043900	NOZZLE §115 CH12*14 F-CW4
003		533019300	NOZZLE §100 G-FQ5 F-CW
003		533031000	NOZZLE §175 CH12X14
003		533043500	NOZZLE §190 CH12*14 G25 PC4R
003		533019400	NOZZLE §180 CH12*14 L-FQ5
004		533048800	GASKET §30*§21*2 FIBRE
004		533048700	NUT 1/2G ZN
004		531068200	
004		531068300	
004		531068400	
004		533010800	TUBE NUT D.10 M16*1,5
004		533039300	BICONE §10
004		533144900	MALE FITTING WATER INLET M16X1,5
004		531070900	BALL VALVE 90° 1/2G F/F PCA
004		533076800	HANDLE FOR DRAIN COCK 3/4"G
004		533050400	
004		536000300	FIXED GRIP D.15*25*M6
004		533144500	FITTING FOR WATER INPUT 3/4G
004		533147000	BICONE FITTING 3/4G ZN
004		536037300	WATER REGULATOR 3/4 4LT-MIN
004		536037200	GASKETØ24,0XØ15,0X4,0
004		533139700	EXTENSION 3/4G M/F L14
005		544187100	OVEN INNER DOOR GN 2/1 70/90LINE
005		531022800	LEFT OVEN DOOR HINGE S.70
005		531013100	OVEN DOOR HANDLE OF 70/90-LINE
005		544186900	OVEN DOOR GN 2/1 70/90LINES
005		531022700	RIGHT OVEN DOOR HINGE 70LINE
005		531022900	HINGE DOOR WHEEL HOLDER S.70
005		541102300	GAS OVEN INNER DOOR GN 3/1 S.70
005		544187000	OVEN DOOR GN 3/1 S.70
006		533033800	LOCK SPRING FOR BULB §6
006		536010801	OVEN GASKET GN 2/1 (1308
006		531036600	LHD RACK HOLDER FOR OVEN S.90
006		531036300	OVEN RACK GN 2/1 FOR 90 LINE
006		531036500	RHD RACK HOLDER FOR OVEN S.90
006		544409900	90 GAS OVEN BOTTOM GN2/1
007		539018800	BLANK INDEX FOR KNOB
007		539023900	SIGN PLATE FOR OVEN TEMPERATURE
007		536034500	KNOB §77 4P. §08*6,5
007		539062100	ADESIVE DISK FOR GAS OVEN S70
007		539054200	STAMP O20,5 CR."L" LOTUS R.

Page	Pos	Code	Description
007		533010800	TUBE NUT D.10 M16*1,5
007		533039300	BICONE §10
007		533018500	FITTING FOR BICONE D.6 M10*1
007		533039100	BICONE §6
007		537002800	PIEZOELECTRIC IGNITION M18 WITH NUT
007		539063300	ADESIVE DISK FOR TYMER GREY
007		536034400	KNOB §77 4P. §06*4,6 C/M
007		531024800	TIMER 120'- 360°
007		539023800	LABEL FOR OVEN TIMER
007		547013900	HIGH-VOLTAGE CABLE TUB.§2 L=1400
007		533018600	PLUG FITTING
007		533023300	BICONE §6 ("TARGET" PILOT
007		533041800	THERMOCOUPLE 1500 M9*1
007		537008300	ROUND PLUG §2,4- LONG ELECTRODE
007		533085200	SPACER FOR PILOT PLUG
007		533023200	TARGET PILOT + NIPPLE TC BRAC.90°
007		544362100	UPPER BURNER DEFLECTOR FOR OVEN 70
007		544362200	UPPER PILOT DEFLECTOR FOR OVEN 70
007		544362400	SIDE PILOT DEFLECTOR FOR OVEN 70
007		544362300	SIDE BURNER DEFLECTOR FOR OVEN 70
007		531004700	BURNER FOR OVEN GN 2/1 S.70
007		531025600	ELBOW 90° NOZZLE-HOLDER §10 PIPE
007		533010900	NUT M14*1 H.4
007		533053000	AIR ADJUSTMENT BUSHING §18
007		533020500	NOZZLE 0.140 §19
007		533020600	NOZZLE 0.140 §27
007		533015200	NOZZLE §145 CH12*14 F-FP/CP6
007		533030600	NOZZLE §125 CH12*14
007		533056100	NOZZLE §220 CH12*14
007		533056300	NOZZLE §240 CH12*14
007		533056200	NOZZLE §230 CH12*14
007		533069700	BY PASS COCK §075 25ST
007		533069400	BY PASS COCK §065 25ST
007		531031600	HORIZON.THERMOSTATIC TAP BY-PASS 75
007		531033800	HORIZON.THERMOSTATIC TAP BYPASS §65
008		544389300	CONTROP.73 SX APP. LT
008		531007600	DOOR HINGE
008		544182501	LEFT DOOR 73
008		533094200	S/S HANDLE FOR 70/90 SERIES
008		533035200	HANDLE SPACER
008		536000200	D.12 H.4 BUMPER
008		544389200	CONTROP.73 DX APP. LT
008		544182401	RIGHT DOOR 73
008		544182101	LEFT DOOR 74
008		544389500	INNER-DOOR OF LHD 74
008		544389400	CONTROP.74 DX APP. LT
008		544182001	RIGHT DOOR 74
008		544497000	PORTA 72 SX
008		544497100	CONTROP.72 SX APP. LT
008		544185101	RIGHT DOOR 74 CF
008		533107100	HANDLE SPACER OF CF-70

Page	Pos	Code	Description
008		544185500	UPPER DOOR HINGE FOR COMPARTME CF70
008		531000900	MAGNET §22 KG.3 WITH DISK
008		544185201	INNER DOOR * 74DX
008		544185400	LOWER DOOR HINGE FOR COMPARTME CF70
008		544663900	LHD 74 DOOR FOR PCI
008		544663800	74 LHD OVEN INNER DOOR FOUR PCI
008		544662700	DOOR 74 DX PCI
008		544662600	CONTROP.74 DX APP. LT PCI