



Kaffee
Espressomaschinen

Artikel-Nr. 742005
(70MNOVA2I)

Explosionszeichnung

Catalogo ricambi - Spare parts catalogue - Catalogue des pièces détachées - Ersatzteile-Katalog

SML-01

CARROZZERIA - BODY PARTS - CAROSSERIE - KAROSSERIE

SML-11

Rubinetti ACQUA / VAPORE - Taps WATER / STEAM - Robinets EAU / VAPEUR - WASSERHAHN / DAMPFHAHN

SML-21

GRUPPO - GROUP - GROUPE - GRUPPE

SML-31

CALDAIA - BOILER - CHAUDIERE - KESSEL

SML-41

Impianto idraulico - Hydraulic circuit - Circuit hydraulique - Wasser anlage

SML-42

Contenitore ACQUA - WATER tray - Cuve EAU - WASSERBEHALTER

SML-51

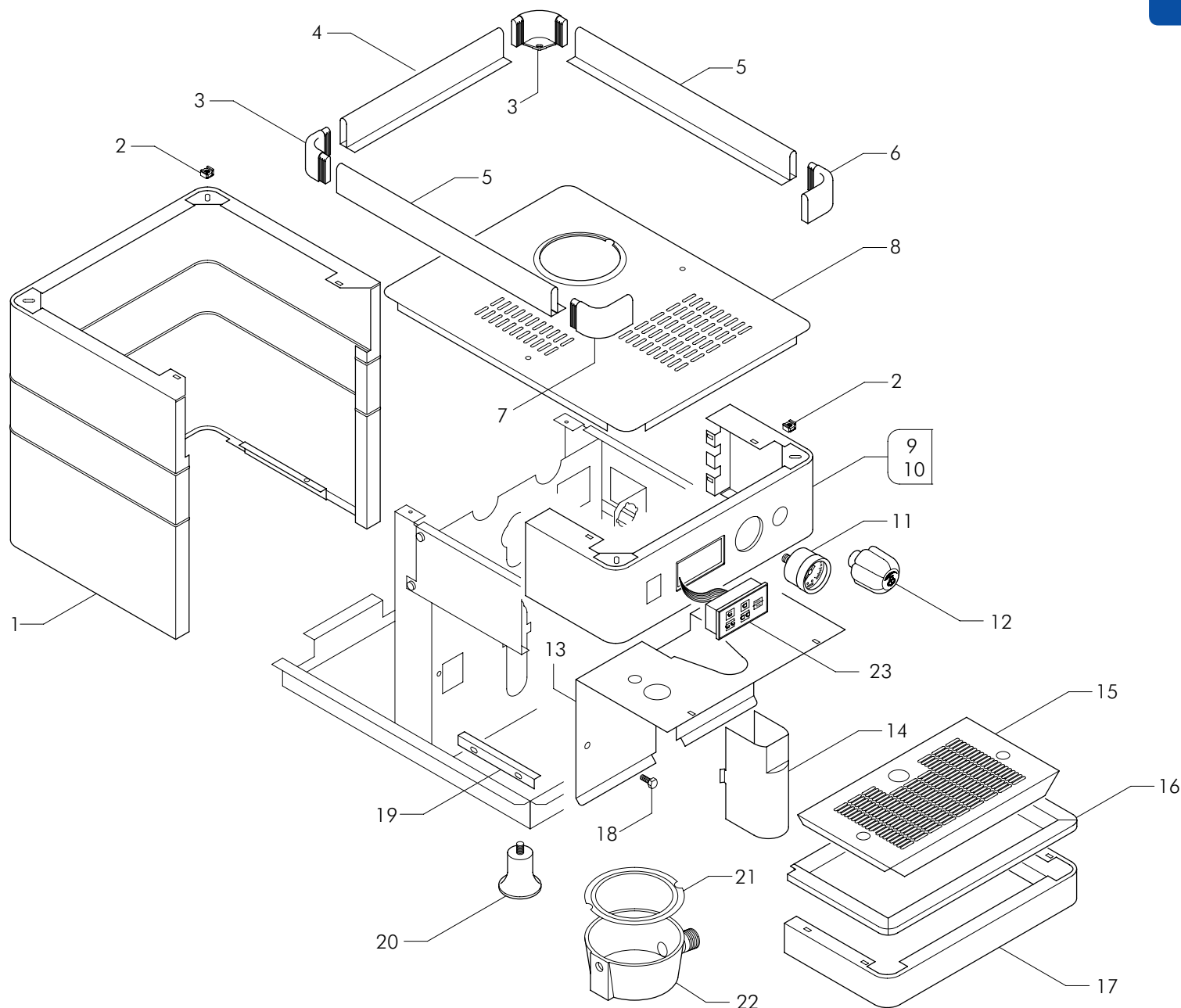
Impianto ELETTRICO - ELECTRICAL system - Circuit ELECTRIQUE - STROM anlage

SML-61

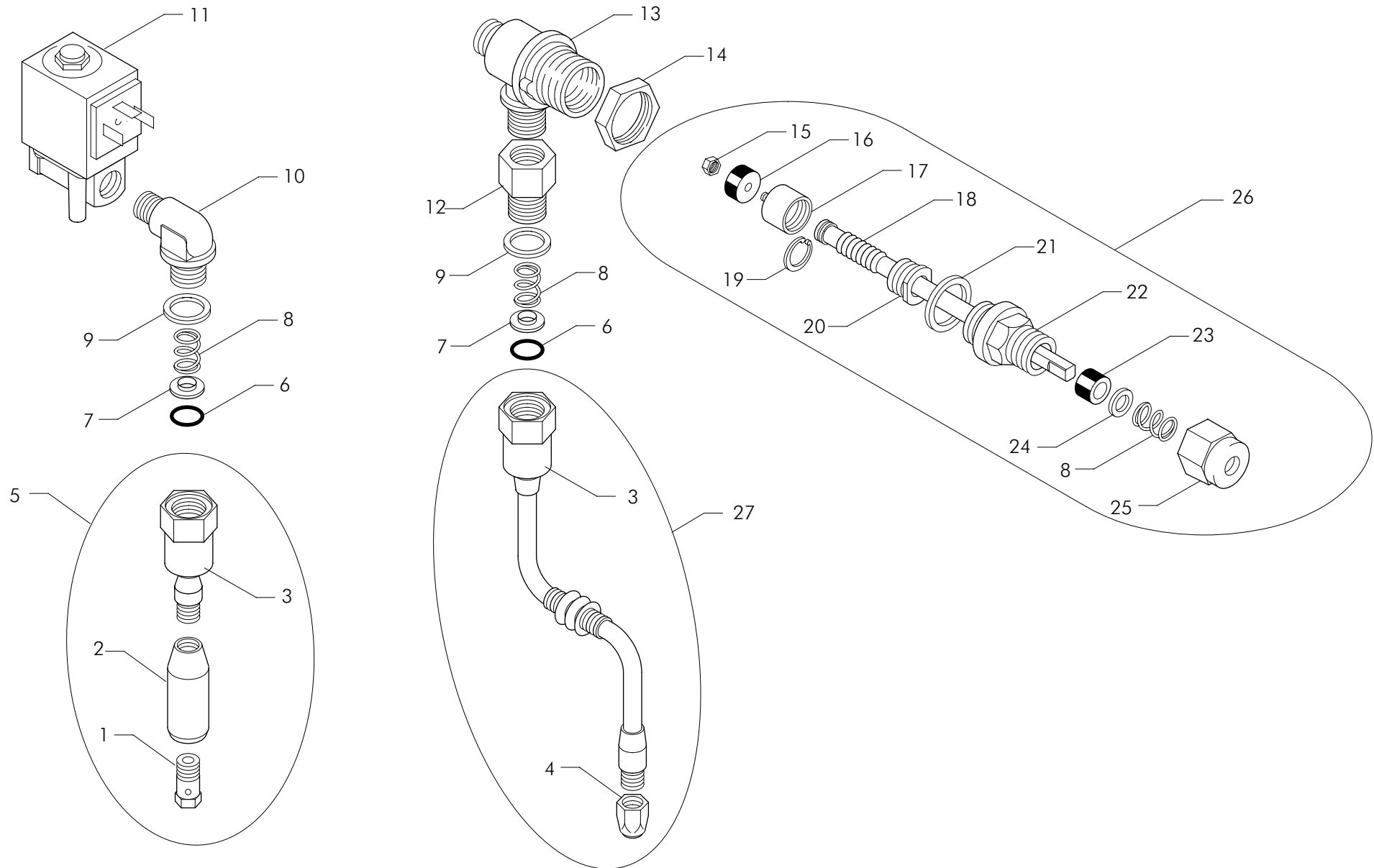
MOTOPOMPA - MOTOR PUMP - MOTOPOMPE - MOTOR PUMP

COOKMAX

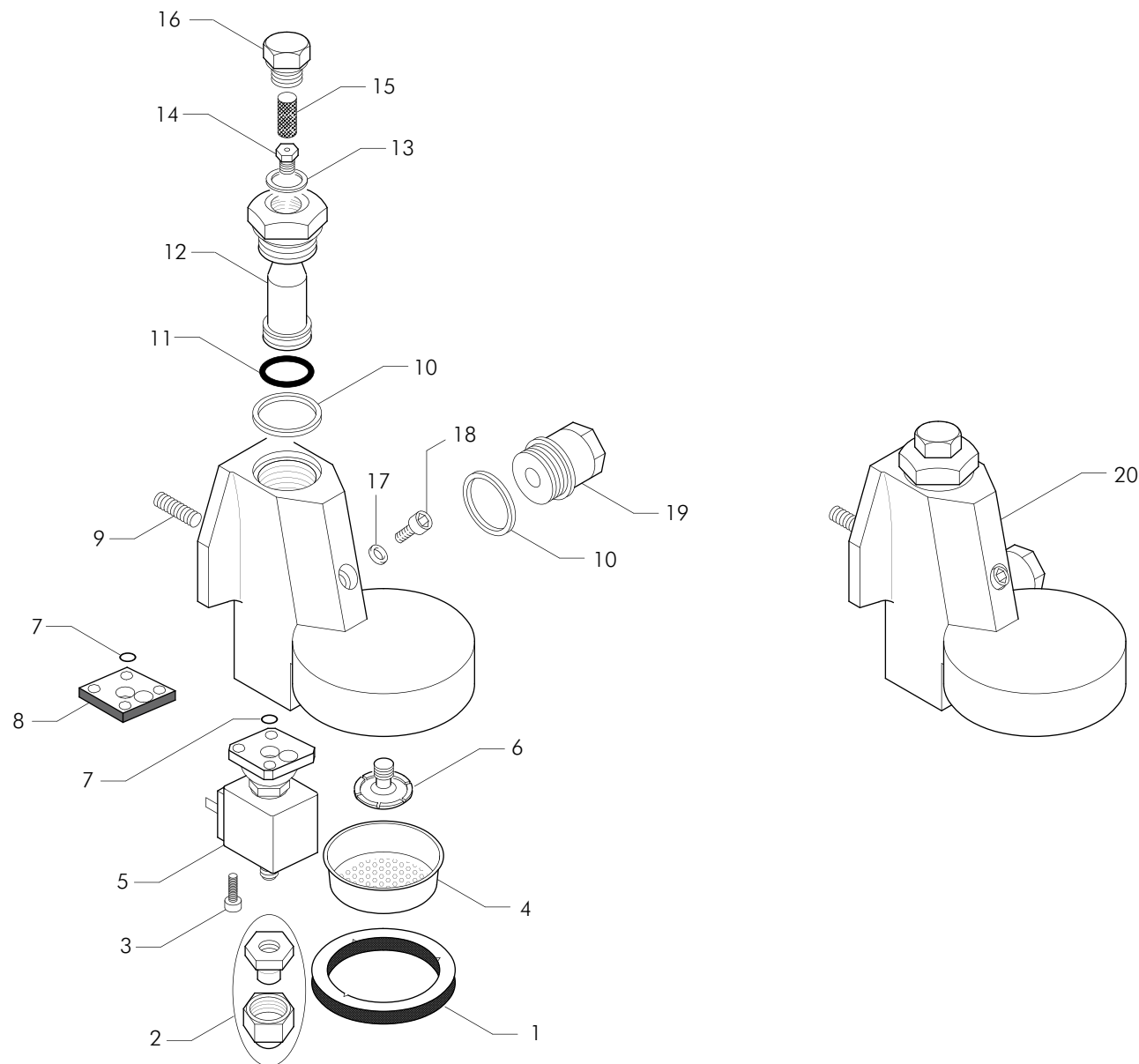
SMALLMAX



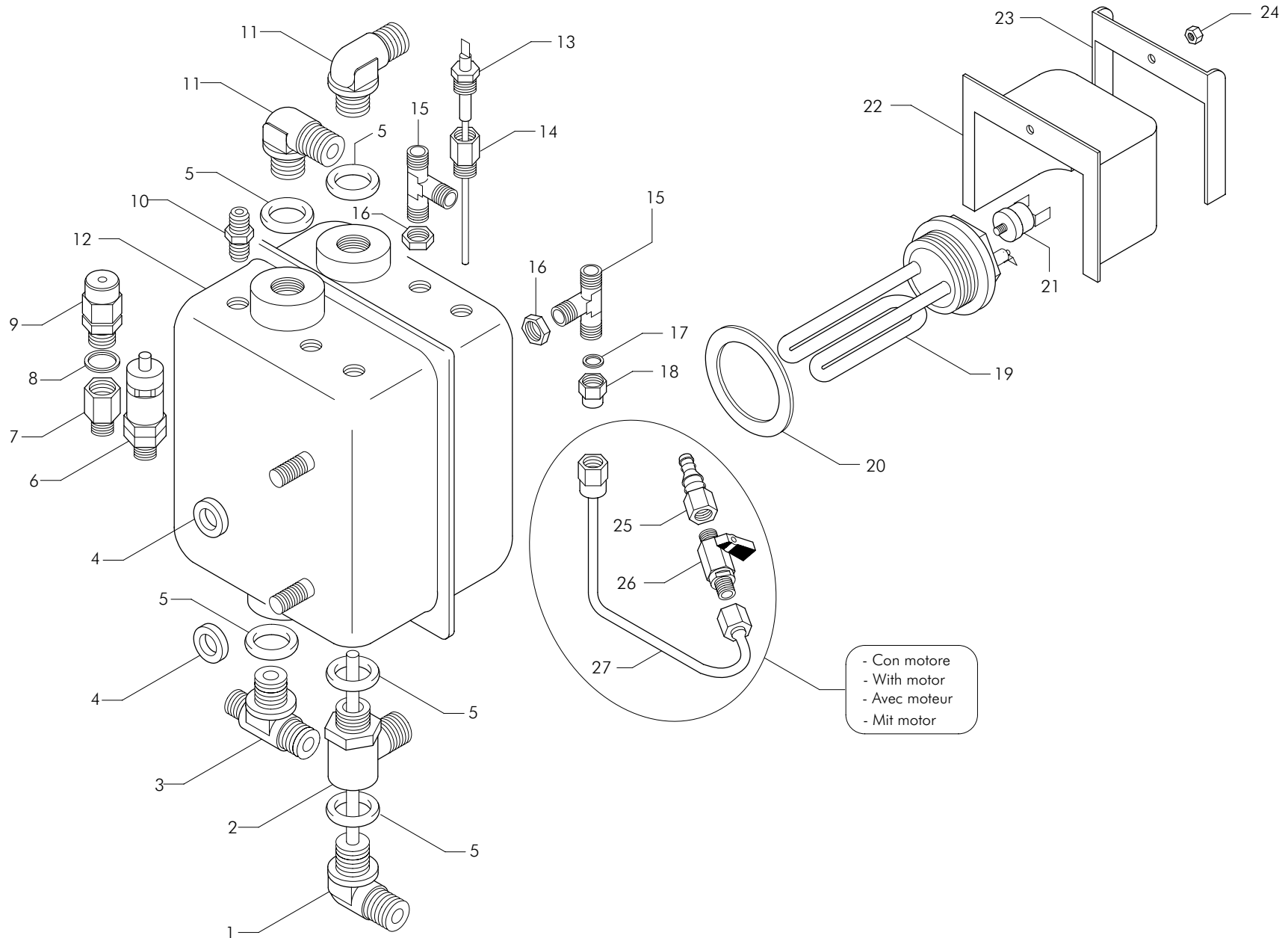
Pos	Cod.	Denominazione - IT -	Denomination - GB -	Denomination - FR -	Denomination - DE -
1	WY75700101	PANNELLO CARROZZERIA MININOVA '02'	BODY PANEL	PANNEAU CARROSSERIE	TAFEL
2	WY23061001	DADO IN GABBIA M4 FE/ZN	GRILLE NUT M4 FE/ZN	GRILLE ECROU M4 FE/ZN	GITTER MUTTER M4 FE/ZN
3	WY15009	ANGOLARE CENTRALE PLASTICA	PLASTICATED CENTRAL ANGLE	ANGLE CENTRAL PLASTIFIE	ZENTRALES WINKELPROFIL
4	WY77235031	PROF.SUP.POST. MININOVA '02' INOX/LUC	S.STEEL STRIP	PROFILS INOX OR	STAHL UMRANDUNG
5	WY77235030	PROF.SUP.DX-SX MININOVA '02' INOX/LUC	S.STEEL STRIP	PROFILS INOX OR	STAHL UMRANDUNG
6	WY15008	ANGOLARE DX PLASTICA	PLASTICATED RIGHT ANGLE	ANGLE DROIT PLASTIFIE	RECHTES WINKELPROFIL
7	WY15007	ANGOLARE SX PLASTICA	PLASTICATED LEFT ANGLE	ANGLE GAUCHE PLASTIFIE	LINKES WINKELPROFIL
8	WY77235022	COPERCHIO CARROZZERIA MININOVA	S.STEEL BODY COVER '02'	COUVRE-CARROSSERIE INOX '02'	STAHL KAROSSERIEDECKEL '02'
8	WY77235023	COPERCHIO CARROZZERIA M.I.MININOVA	BODY-COVER M.I. '02'	COUVRE-CARROSSERIE M.I. '02'	KAROSSERIEDECKEL M.I. '02'
9	WY71759002	FRONTONE MININOVA INOX	FRONT PANEL S.STEEL	PANNEAU FRONTAL INOX	FRONTBLLENDE STAHL
10	WY71759011	FRONTONE MININOVA EVD '02' INOX	FRONT PANEL MININOVA EVD '02 S.STEEL	PANNEAU FRONTAL MININOVA EVD '02 INOX	FRONTBLLENDE MININOVA EVD '02 STAHL
11	WY21105	MANOMETRO 2.5 BAR 1/8 D 44 TUV	PRESSURE GAUGE 2.5 BAR 1/8 D44 TUV	MANOMETRE 2.5 BAR 1/8 D44 TUV	MANOMETER 2.5 BAR 1/8 D44 TUV
12	WY15272	MANOPOLA RUBINETTO VAPORE	STEAM TAP KNOB	POIGNEE ROBINET VAPEUR	DAMPF-HAHNGRIFF
13	WY77876001	COPRICALDAIA	BOILER-COVER	COUVRE-CHAUDIÈRE	KESSELDECKEL
14	WY77602	COPRIELETTRORVALVOLA ER. IN/LUC	S.STEEL SOLENOID VALVE COVER	COUVRE-ELECTROVANNE INOX	GRUPPENMAGNETVENTIL DECKEL
15	WY76339000	GRIGLIA INFERIORE	LOWER GRILL	GRILLE INFERIEURE	GITTER UNTEN
16	WY76080100	BACINELLA SCARICO	DRAIN TRAY	CUVE A VIDANGER	KAFFEETABLETTENAUSLASSCHALE
17	WY77235001	PROFILO BASAMENTO MININOVA '02' INOX	BLACK BASE PROFILE S.STEEL	PROFIL BASE INOX	BASISPROFIL STAHL
18	WY23420	VITE TE OTTONE M6X12 NICHELATA	M6X12NICKEL-PLATED BRASS HEX.HEAD SCREW	VIS TH LAITON M6X12 NICKEELE	SECHSKANTSCHRAUBE AUS MESSING M6X12
19	WY77742100	GUIDA DX-SX BACINELLA	GUIDE FOR TRAY	GUIDAGE CUVE	FUHRUNG SCHALE
20	WY15314001	PIEDINO A VENTOSA	SUCTION CUP FOOT	PIED A VENTOUSE	SAUGNAPFFUSSCHEN
21	WY77799001	FERMO VASCHETTA	STEEL CIRCLIP DRAIN BASIN	CIRCLIP CUVE A VIDANGER	HALTENRING ABFLUSSCHALE
22	WY15502	VASCHETTA SCARICO ROTONDA D 80	ROUND DRAIN BASIN D.80MM	CUVE A VIDANGER RONDE D.80MM	RUNDE ABFLUSSCHALE D.80MM
23	WY18371027	PULSANTIERA 5 TASTI	TOUCH PAD 5BUTTONS	CLAVIER A TOUCHES 5T	DRUCKKNOPFTAFEL 5T



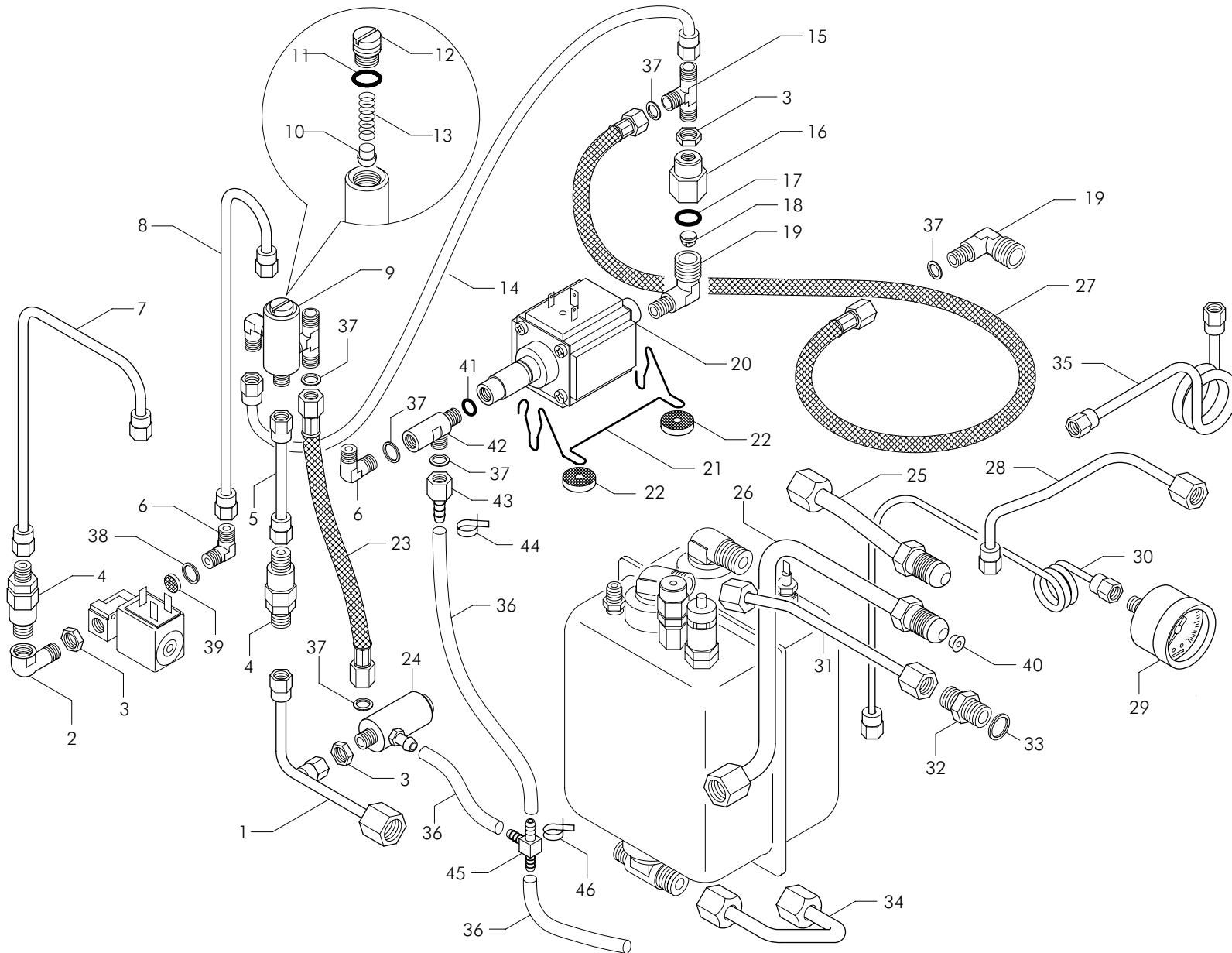
Pos	Cod.	Denominazione - IT -	Denomination - GB -	Denomination - FR -	Denomination - DE -
1	WY25761	SPRUZZATORE INTERNO H2O	INTERNAL SPRAY H2O	PULVERISATEUR INT. H2O	H2O - INNENSPRITZDÜSE
2	WY30250	SPRUZZATORE ESTERNO H2O OTT CROMATO	EXTERNAL SPRAYER H2O CHROMIUM PLATE	PULVERISATEUR EXTERNE H2O LAITON CH	AUSSENSPRITZDÜSE H2O MESSING, VERCH
3	WY25391	DADO CANNA VAP/H2O X MOLLA CROMATO	NUT PIPE WATER/STEAM FOR SPRING	ECROU TUYAU VAPEUR/EAU POUR RESSORT	WASSER/DAMPF ROHRMUTTER FÜR FEDER
4	WY25762	SPRUZZATORE VAPORE CROMATO	STEAM NOZZLE - CHROMED	ATOMISEUR VAPEUR - CHROME'	DAMPFDUSE - CHROM
5	WY56119024	ASSIEME TUBO H2O A 57/CK	WATER TAP UNIT A 57/CK	ENSEMBLE ROBINET EAU	WASSER ROHRSATZ A 57/CK
6	WY12300	GUARNIZIONE OR 113 NBR/70	O RING GASKET 113 NBR/70	JOINT OR 113 NBR/70	OR-DICHTUNG 113 NBR/70
7	WY25657	RONDELLA MOLLA VAPORE	STEAM SPRING WASHER	RONDELLE RESSORT VAPEUR	SCHEIBE FÜR DAMPF FEDER
8	WY10452	MOLLA RUBINETTO H20/VAPORE N4	WATER/STEAM TAP SPRING N4	RESSORT DE ROBINET EAU-VAPEUR N4	WASSER/DAMPF HAHNFEDER N4
9	WY12010	GUARNIZIONE TEFLON X H20/VAP 21X17X2	W/S PIPE GASKET TEFLON 21X17X2	JOINT TUYAU TEFLON EAU/VAP TEFLON	TEFLON-DICHTUNG X H20/VAP 21X17X2 CNN
10	WY43034	RACCORDO "L" 3/8X1/4 X TUBO H20/VAP.	ELBOW CONNec.3/8X1/4XH20/STEAM PIPE	RACCORD A COUDE 3/8X1/4 TUYAU H2O	KNIEANSCHLUSSSTUCK 3/8X1/4 FÜR H20/D
11	WY18161990	ELETTRIVALV.VAPORE 230V VE140DRA.5	VE140DRA.5 ZB09 1/4 230V STEAM SOL.	ELECTROVANNE VAPEUR VE14DRA.5 ZB09	ELEKTROVENTIL DAMPF VE140DRA.5 ZB09 1/4
11	WY18161991	ELETTRIVALV.VAPORE 120V VE140DRA.5	EL.VALVE STEAM 120V VE140DRA ZB09 1/4	ELECTROVANNE VAPEUR 120V ETL	ELEKTROVENTIL DAMPF 120V ETL
12	WY25691003	RACCORDO PROLUNGA RUBINETTO 3/8M	CONNECTOR TAP 3/8M X 3/8F	RACCORD ROBINET 3/8M X 3/8F	HAHNFITTING 3/8M X 3/8F
13	WY53003	CORPO RUBINETTO	TAP BODY	CORPS DE ROBINET	HAHNKÖRPER
14	WY25384	DADO OTTONE M26X1.5	BRASS NUT 26X1.5	ECROU LAITON 26X1.5	MESSING-MUTTER 26X1.5
15	WY23050	DADO OTTONE M3 UNI 5587	BRASS NUT M3 UNI 5587	ECROU LAITON M3 UNI 5587	MESSING-MUTTER M3 UNI 5587
16	WY12203	GUARNIZIONE GOMMA 15X4X4	RUBBER GASKET 15X4X4	JOINT EN CAOUTCHOUC 15X4X4	GUMMIDICHTUNG 15X4X4
17	WY25616	PISTONCINO RUBINETTO	TAP JUMPER	PISTON ROBINET	HAHNKOLBEN
18	WY25311	ASTA RUBINETTO L109 CROMATA	CHROMED TAP ROD 109L	TIGE ROBINET L109 CHROME	VERCHROME HAHNSTANGE L109
19	WY10001	ANELLO ARRESTO D6 INOX 316 DIN 6799	STEEL CIRCLIP 316 DIN 6799	CIRCLIP INOX 316 DIN 6799	STAHLHALTENRING 316 DIN 6799
20	WY25461	GHIERA RUBINETTO	TAP RING NUT	EMBOUT ROBINET	HAHNZWINGE
21	WY12158	GUARNIZIONE CU RUB.26X20.5X2	26X20.5X2 COPPER SEAL	JOINT CUIVRE 3/8 22X17X1.5	KUPFERDICHTUNG 3/8 22X17X1.5
22	WY25678001	RACCORDO RUBINETTO	TAP FITTING	RACCORD ROBINET	HAHNANSCHLUSSSTUCK
23	WY12204	GUARNIZIONE GOMMA RUBINETTO H20/VAP	W/S TAP RUBBER GASKET 12.5X7.5X9	JOINT CAOUTCHOUC ROB. EAU/VAP 12.5	HAHNDICHTUNG W/D 12.5X7.5X9
24	WY25655	RONDELLA RUBINETTO	TAP WASHER	RONDELLE ROBINET	HAHNSCHEIBE
25	WY25385	DADO PREMISTOPPA RUBINETTO	TAP STUFFING NUT	ECROU DE PRESSE-ETOUPE ROBINET	STOPFBUCHSE MUTTER - HAHN
26	WY56102	ASSIEME RUBINETTO H20/VAPORE	WATER/STEAM TAP UNIT	ENS.ROBINET EAU/VAPEUR	WASSER/DAMPF HAHNSATZ
27	WY56119023	ASS.TUBO VAP.CR.CIALDE MAN. A 57/CV	STEAM PIPE AS CR.CKP57/CV	ENSEMBLE TUYAU VAPEUR A 57/CV	DAMPFROHRSATZ A 57/CV



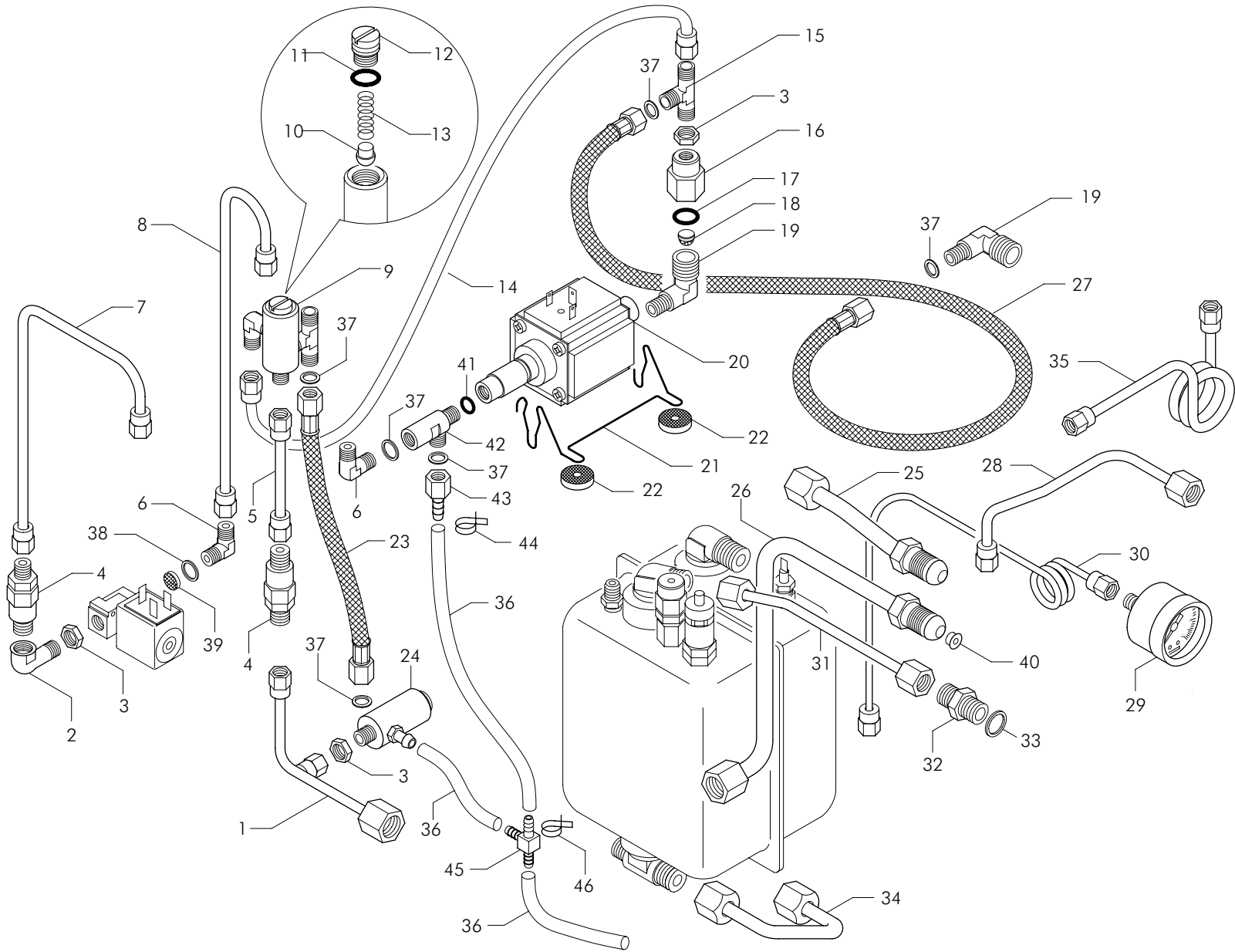
Pos	Cod.	Denominazione - IT -	Denomination - GB -	Denomination - FR -	Denomination - DE -
1	WY12227	GUARNIZIONE SOTTOCOPPA 73,5X57,5X8	GROUP UNDERCUP SEAL 73,5X57,5X8	JOINT SOUCOUBE 73,5X57,5X8	FILTERGRIFFDICHTUNG 73,5X57,5X8
1	WY12228	GUARNIZIONE SOTTOCOPPA 73,5X57,5X8,5	GROUP UNDERCUP SEAL 73,5X57,8X8,5	JOINT SOUCOUBE 73,5X57,5X8,5	FILTERGRIFFDICHTUNG 73,5X57,5X8,5
2	WY23055	DADO ROMPIGETTO M + F	SPOUT-CUTTING NUT	ECROU	SCHRAUBENMUTTER
3	WY23560	VITE TCEI INOX 4X16	SCREW TCCE S.STEEL 4X16	VIS TCCE INOX 4X16	STAHLSCHRAUBE TCCE 4X16
4	WY27104	DOCCETTA GRUPPO INOX	S.STEEL GROUP SHOWER	DOUCHETTE GROUPE INOX	DUSCHE VERTEILEREINHEIT
5	WY18150	ELETTRORVALVOLA GRUPPO 110V 50-60HZ	GROUP SOLENOID VALVE 110/50-60	ELECTROVANNE GROUPE 110/50-60	GRUPPENMAGNETVENTIL 110/50-60
5	WY18151	ELETTRORVALVOLA GRUPPO 220/240V 50	GROUP SOLENOID VALVE 220/240 50-60	ELECTROVANNE GROUPE 220/240 50-60	GRUPPENMAGNETVENTIL 220/240 50-60
6	WY27105	DIFFUSORE GRUPPO W555	SPRAIER GROUP W555	DIFFUSEUR GROUPE	DIFFUSOR VERTEILEREINHEIT
7	WY12305	GUARNIZIONE OR 105 GR.ELETT.HNBR 70SH	O RING SEAL 105 GREEN SOLENOI	JOINT OR 105 GR. ELECT.	O-RINGDICHT. 105 EKELTR. EINHEIT
8	WY12013	GUARNIZIONE PTFE LV 2030 ELETTRORVAL.	GASKET FOR SOLENOID VALVE GR PTFE	JOINT POUR ELECTROVANNE GR PTFE	MAGNETVENTILDICHT.GR PTFE LV 2030
9	WY23134	PRIGIONIERO INOX 8X26	STAINLESS STEEL BOLT 8X26	VIS INOX 8X26	STAHLSCHRAUBE 8X26
10	WY12023	GUARNIZIONE TEFLON CAMME FUNGO	TEFLON GASKET	JOINT TEFLON	TEFLON DICHTUNG
11	WY12024	GUARNIZIONE OR 125 VITON X FUNGO	VITON O RING GASKET	JOINT OR	OR DICHTUNG
12	WY27119	FUNGO GRUPPO W530	DISTRIBUTION GROUP MUSHROOM	FONGUS GROUPE DEBIT	AUSGABEGRUPPE FUNGUS
13	WY12025	GUARNIZIONE TEFLON TAPPO GRUPPO W529	TEFLON GASKET	JOINT TEFLON	TEFLON DICHTUNG
14	WY10300C	GIGLER OTT. X GRUPPO D 0.7	BRASS GROUP JET D-0.7	GICLEUR LAITON D-0.7	VERMESSIN GTE GRUPPE DUSE 0.7
15	WY10253	FILTRO GIGLER GRUPPO W527	JET FILTER	FILTRE GICLEUR	DUSE FILTER
16	WY27118	TAPPO GIGLER W526	JET CAP	BOUCHON GICLEUR	STOPFEN DUSE
17	WY12103	GUARNIZIONE CU/ALIM AT.MAN.10.8X6X2	GAUGE CU GASKET 10.8X6X2	JOINT CU DE MANOMETRE 10.8X6X2	MANOMETER CU DICHTUNG 10.8X6X2
18	WY23558	VITE TCEI INOX 6X8	STEEL SCREW TCCE 6X8	VIS INOX TCCE 6X8	STAHLSCHRAUBE TCCE 6X8
19	WY27120	TAPPO GRUPPO CROMATO W615	DISTRIBUTION GROUP CAP	BOUCHON GROUPE DEBIT	STOPFEN DER ABGABEGRUPPE
20	WY26102	GRUPPO EROGAZIONE WEGA	DISTRIBUTION GROUP	GROUPE DEBIT	AUSGABEGRUPPE
20	WY26103	GRUPPO EROGAZIONE W *STP*	GROUP ASSEMBLY *STP*	GROUPE DEBIT *STP*	NOCKEN *STP*



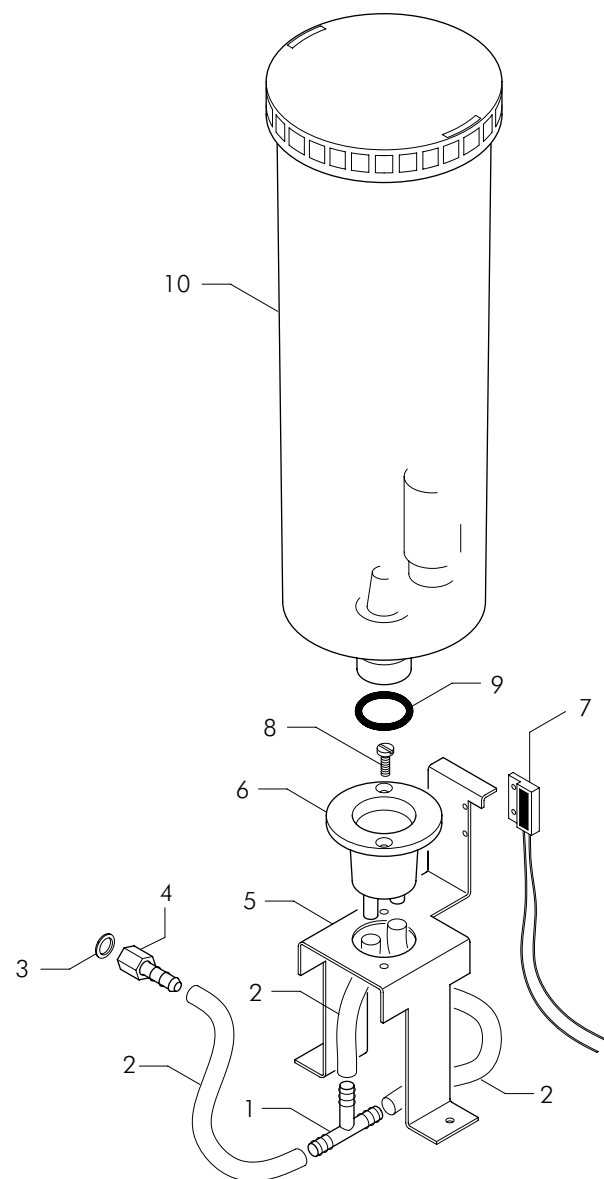
Pos	Cod.	Denominazione - IT -	Denomination - GB -	Denomination - FR -	Denomination - DE -
1	WY52002012	TBS.D-6 L.100 WE	PIPE D-6 L.100	TUYAU D.6 L.100	KANN.D-6 L.100 WE
2	WY43020	DISTANZIALE POMPA	PUMP SPACER	ENTRETOISE POMPE	PUMPENENTFERNUNGSTÜCK
3	WY43033	RACCORDO "T" 3/8X3/8X1/4	3/8X3/8X1/4 T FITTING	RACCORD "T" 3/8X3/8X1/4	ANSCHLUSS 3/8X3/8X1/4 T
4	WY25770	SPESSORE GRUPPO LEVETTA	LEVER GROUP THICKNESS	EPAISSEUR GROUPE A LEVIER	HEBELGRUPPIGE DICKE
5	WY12101	GUARNIZIONE CU/ALIM 3/8 22X17X3	3/8 22X17X3 FEEDER/COPPER SEAL	JOINT CUIVRE/ALIM 3/8 22X17X3	KUPFERDICHTUNG/SPEIS. 3/8 22X17X3
6	WY20357	VALVOLA DI SICUREZZA 1/8 VAP	STEAM SAFETY VALVE 1/8	CLAPET DE SURETE 1/8 VAPEUR	DAMPF SICHERHEITSENTIL 1/8
7	WY25743	RIDUZIONE 1/4FX1/8M V.A.R.	REDUCTION 1/4FX1/8M V.A.R.	REDUCTION 1/4FX1/8M V.A.R.	REDUKTION 1/4FX1/8M V.A.R.
8	WY12153	GUARNIZIONE CU 1/4 17X13.3X1.5	1/4 17X13.3X1.5 COPPER SEAL	JOINT CUIVRE 1/4 17X13.3X1.5	KUPFERDICHTUNG 1/4 17X13.3X1.5
9	WY56150	VALVOLA ANTIRISUCCHIO V.A.R.	ANTI-EDDY VALVE V.A.R.	SOUPAPE ANTI-DEPRESSION V.A.R.	VENTIL UNTERDRUCKFREI V.A.R.
10	WY23210	RACCORDO DIRITTO D4 1/8X1/8 CON L.5	STRAIGHT FITTING D4 1/8X1/8 CONICAL	RACC. DROIT D4 1/8X1/8 CONIQUE L.5	GERADER ANSCHLUSS D4 1/8X1/8 MIT L.5 110
11	WY43052	RACCORDO "L" 3/8	CONNECTOR 'L' 3/8	RACCORD 'L' 3/8	ANSCHLUSS 'L' 3/8
12	WY62601	CALDAIA 2 SCAMBIATORI	BOILER 2 EXCHANGERS	CHAUDIERE 2 ECHANGEURS	KESSEL 2
13	WY20251	SONDA LIVELLO TL 10/B L125 908600	TL 10/B L125 900000 LEVEL PROBE	JAUGE TL 10/B L125 900000	PEGELFÜHLER TL 10/B L125 900000
14	WY25742	RIDUZIONE 1/8MX1/8F SON.LIV.COMP.	REDUCTION 1/8MX1/8F	REDUCTION 1/8MX1/8F	REDUKTION 1/8MX1/8F
15	WY23211	RACCORDO OTT."T" 1/8X1/8X1/8 30006	BRASS CONNECTOR 'T' 1/8X1/8X1/8	RACCORD LAITON "T" 1/8X1/8X1/8	MESSING FITTING "T" 1/8X1/8X1/8
16	WY25395	DADO 1/8 MANOMETRO	1/8 NUT GAUGE	ECROU 1/8 MANOMETRE	MUTTER 1/8 MANOMETER
17	WY12012	GUARNIZIONE TEFLON 8.5X4X2	GASKET TEFLON 8.5X4X2	JOINT TEFLON 8.5X4X2	DICHTUNG TEFLON 8.5X4X2
18	WY25790	TAPPO 1/8 GAS FEMMINA	FEMALE CAP 1/8 GAS	BOUCHON FEMELLE 1/8 GAS	STOPFEN 1/8 GAS
19	WY17200	RESISTENZA MATASSA 1"1/4 120/1200W	HEATING ELEMENT 1"1/4 110V 1200W	RESISTANCE ELEC. 1"1/4 110V 1200W	HEIZKÖRPER 1"1/4 110V 1200W
19	WY17201	RESISTENZA MATASSA 1"1/4 230/1300W	HEATING ELEMENT 1"1/4 220V 1300W	RESISTANCE ELEC. 1"1/4 220V 1300W	HEIZKÖRPER 1"1/4 220V 1300W
19	WY17202	RESISTENZA MATASSA 1"1/4 240/1300W	HEATING ELEMENT 1"1/4 240V 1300W	RESISTANCE ELEC. 1"1/4 240V 1300W	HEIZKÖRPER 1"1/4 240V 1300W
20	WY12001	GUARNIZIONE TEFLON VERGINE X RES/SCA	TEFLON GASKET ELEMENT/EXCH. 58X43X2	JOINT TEFLON RESIST/ECHANG. 58X43X2	TEFLON DICHTUNG 58X23X2
21	WY20304	TERMOSTATO SAL.RES.145°C V M4X6 RM	SAFETY CUT-OUT 32455 RFJL4U 24G3	CLICSON 32455 RFJL4U 24G3	KLEMME HEIZKÖRPERSCHUTZ RFJL4U 24G3
22	WY15514110	PROTEZIONE RESISTENZA	HEATING ELEMENT COVER	COUVRE-RESISTENCE	HEIZKÖRPERDECKEL
23	WY77799000	FERMO PROTEZIONE RESISTENZA	FIXING COVER HEATING ELEMENT	SUPPORT COUVRE-RESISTENCE	HALTER DER HEIZKÖRPERDECKEL
24	WY23030	DADO INOX M4 UNI 5587 A2 #	STAINLESS STEEL NUT M4 UNI 5587 A2	ECROU INOX M4 UNI 5587 A2	STAHLMUTTER M4 UNI 5587 A2
25	WY25622	PORTAGOMMA 1/4 CON X SIC GAS	1/4 CONICAL HOSE CONNECTION FOR GAS	PORTE-TUYAU 1/4 CONIQUE POUR SECU.	SCHLAUCHHALTER 1/4 MIT X GASSICHERUNG
26	WY20354	VALVOLA CHIUSURA AEA	PRESSURE RELEASE TAP BULK UNIT	CLAPET FERMETURE AUT.ARRIVEE EAU	ABSPERRVENTIL X AUT.WASSERZUFUHR
27	WY52002055	TUB.D-6 L.170 CO 45 SCARICO CALD.	PIPE D-6 L.170	TUYAU D-6 L.170	ROHR D-6 L.170



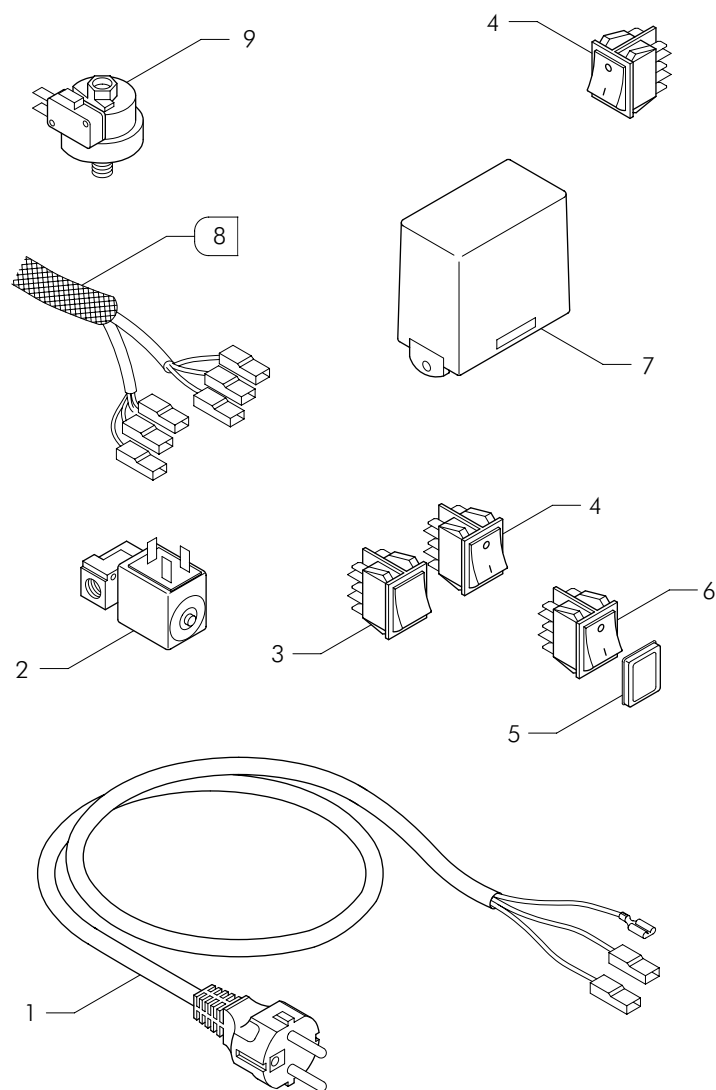
Pos	Cod.	Denominazione - IT -	Denomination - GB -	Denomination - FR -	Denomination - DE -
1	WY52002004	TBS.D-6 L.130 WE + CO 21SCAMBIAT	PIPE D-6 L.130	TUYAU D.6 L.130	KANN. D-6 L.130 WE+ CO 21
2	WY23212	RACCORDO OTT.GOM.1/8FEMMX1/8M	ELBOW BRASS CONNECTOR 1/8FX1/8M	RACCORD COUDE LAITON 1/8FX1/8M	MESSING-ANSCHLUSS 1/8X1/8M
3	WY25395	DADO 1/8 MANOMETRO	1/8 NUT GAUGE	ECROU 1/8 MANOMETRE	MUTTER 1/8 MANOMETER
4	WY20358	VALVOLA NON RITORNO 1/8-1/8 MASCHIO	NON-RETURN VALVE 1/8 - 1/8 MALE	CLAPET ANTI-RETOUR 1/8 - 1/8 MALE	RUCKSCHLAGVENTIL 1/8-1/8
5	WY52002029	TUB.D-6 L.70 C031V.N.R. > VALV.ESP.	PIPE D-6 L.70	TUYAU D.6 L.70	KANN. D-6 L.70 CO 31
6	WY23207	RACCORDO OTT.GOM.D4 1/8X1/8 CON	ELBOW BRASS CONNECTOR D4 1/8X1/8	RACCORD COUDE LAITON D4 1/8X1/8	MESSING-ANSCHLUSS D4 1/8X1/8
7	WY52002027	TUB.D-6 L.295 C029EV.AEA > CALDAIA	PIPE D-6 L.295	TUYAU D.6 L.295	KANN. D-6 L.295 CO 29
8	WY52002042	TUB.D-6 L.280 C038VALV.ESP. POMP	PIPE D-6 L.280	TUYAU D.6 L.280	KANN. D-6 L.280 CO 38
9	WY56210	VALVOLA ESPANSIONE POMPA 2R	PUMP EXPANSION VALVE	VALVE EXPANSION POMPE	EXPANSIONSVENTIL DER PUMPE
10	WY12600	FUNGHETTO GOMMA VALVOLA	VALVE RUBBER HEAD	TETE GOMME SOUPEPE	GUMMIVENTILKNOPF
11	WY12320	GUARNIZIONE OR 112 DI9.93X2.62 NBR	O RING 112 DI9.93X2.62 NBR SH 75	JOINT OR 112 DI9.93X2.62 NBR SH 75	OR DICHTUNG 112 DI9.93X6.62 NBR 75
12	WY25786	TAPPO VALVOLA ESPANS. POMPA	PUMP EXPANSION VALVE CAP	BOUCHON SOUPEPE EXP. POMPE	STOPFEN FUR PUMPENEXPANSIONSVENTIL
13	WY10470	MOLLA VALVOLA ESPANSIONE	EXPANSION VALVE SPRING	RESSORT CLAPET EXPANSION	EXPANSIONSVENTILFEDER
14	WY52002861	TUB.D-6 L.330 S.NOVA TEFLON WSN/6USC.	TUBE D-6 L.370 TEFLON WSN/6	TUBE D-G L.370 S. NOVA TEFLON	ROHR D-G L. 370 S.NOVA TEFLON WSN/G
15	WY23211	RACCORDO OTT."T" 1/8X1/8X1/8 30006	BRASS CONNECTOR 'T' 1/8X1/8X1/8	RACCORD LAITON "T" 1/8X1/8X1/8	MESSING FITTING "T" 1/8X1/8X1/8
16	WY25744	RIDUZIONE 1/8FX3/8F V.N.R.	REDUCTION 1/8FX3/8F	REDUCTION 1/8FX3/8F	REDUKTION 1/8FX3/8F
17	WY12312	GUARNIZIONE OR FILTRO AEA 10X2	O RING FOR WATER REFILL FILTER 10X2	JOINT OR FILTRE AUT.REM.EAU 10X2	OR DICHTUNG FUR WASSERFULLUNGFILTER
18	WY10254	FILTRO ACCIAIO 160-200 MESH	STEEL FILTER 160-200 MESH	FILTRE EN ACIER 160-200 MESH	STAHLFILTER 160-200 MESH
19	WY23206	RACCORDO GOM.D10 3/8X1/8CON F3	ELBOW BRASS CONNECTOR D10 3/8X1/8	RACCORD COUDE LAITON D10 3/8X1/8	MESSING FITTING D10 3/8X1/8
20	WY26304	POMPA FLUID VIB.220/240V 1106PAI1M1N	FLUIDOTEC VIBRATION PUMP 220/240V	POMPE VIBRATION FLUIDOTEC 220/240V	VIBRATIONS Pumpe FLUIDOTEC 220/240V
20	WY26310	POMPA FLUID.VIB.110V 1106PAIFM1N	FLUIDOTEC VIBRATION PUMP 110V	POMPE VIBRATION FLUIDOTEC 110V	VIBRATIONS Pumpe FLUIDOTEC 110V
21	WY26306	SUPPORTO FISSO POMPA VIBRAZIONE	FIXING BEARING VIBRATION PUMP	SUPPORT POMPE VIBRATION	HALTER DER VIBRATIONS Pumpe
22	WY15313	PIEDINI NEOPRENE 20X4.5 ART.15151	NEOPRENE LEG 20X4.5	PIED NEOPRENE 20X4.5	NEOPRENEFUSSE 20X4.5
23	WY30400	TUBOFLEX 1/8FF P.GOMMA PIA. L37 NI	TUBOFLEX 1/8FF RUBBER-HOLDER L37	TUBOFLEX 1/8FF PORTE-GOMME L37	TUBOFLEX 1/8FF GUMMI-HALTER L37
24	WY56200	VALVOLA ESPANSIONE 1R	EXPANSION VALVE	VALVE EXPANSION	EXPANSIONSVENTIL
25	WY52002079	TBS.D-10 L.110 CO 69 SCAMB.SUP.	TUBE D-10 L.110 CO 69	TUYAU D-10 L.110 CO 69	ROHR D-10 L.110 CO 69
26	WY52002078	TBS.D-10 L.380 CO 68 SCAMB.INF.	TUBE D-10 L.380 CO 68	TUYAU D-10 L.380 CO 68	ROHR D-10 L.380 CO 68
27	WY30406	TUBOFLEX 1/8FF P.GOMMA PIA. L100 NI	TUBOFLEX 1/8FF RUBBER-HOLDER L100	TUBOFLEX 1/8FF PORTE-GOMME L100	TUBOFLEX 1/8FFGUMMI-HALTER L100
28	WY52002049	TBS.D-6 L.210 CO 40 RACC."T" 1/8	PIPE D-6 L.210	TUYAU D-6 L.210	KANN. D-6 L.210
29	WY21105	MANOMETRO 2.5 BAR 1/8 D 44 TUV	PRESSURE GAUGE 2.5 BAR 1/8 D44 TUV	MANOMETRE 2.5 BAR 1/8 D44 TUV	MANOMETER 2.5 BAR 1/8 D44 TUV
30	WY52002043	TUB.D-4 L.570 C039CALDAIA > MANOMETRO	PIPE D-4 L.570	TUYAU D.4 L.570	KANN. D-4 L.570 CO 39
31	WY52002031	TBS.D-6 L.90 C033CALDAIA > ELETTROV	PIPE D-6 L.90	TUYAU D.6 L.90	KANN. D-6 L.90 CO 33
32	WY25686	RACCORDO 1/4X1/4 FLANGIA	CONNECTOR 1/4 X 1/4 FLANGE	RACCORD 1/4 X 1/4 BRIDE	ANSCHLUSS 1/4X1/4 FLANSCH
33	WY12153	GUARNIZIONE CU 1/4 17X13.3X1.5	1/4 17X13.3X1.5 COPPER SEAL	JOINT CUIVRE 1/4 17X13.3X1.5	KUPFERDICHTUNG 1/4 17X13.3X1.5
34	WY52002030	TBS.D-6 L.125 C032 SCAMBIATORE H2O	TUBE D-6 L.125 CO 32	TUYAU D-6 L.125 CO 32	ROHR D-6 L.125 CO 32
35	WY52002050	TUB.D-6 L.585 CO 41 RACC."T" 1/8	PIPE D-4 L.700	TUYAU D-4 L.700	KANN. D-4 L.700
36	WY15476001	TUBO SILICONE 4X8 KGXMT 0.044	SILICONE PIPE 4X8 KGX0.044M	TUBE SILICONE 4X8 KGXMT 0.044	SILIKONSCHLAUCH 4X8 KGXMT 0.044
37	WY12012	GUARNIZIONE TEFLON 8.5X4X2	GASKET TEFLON 8.5X4X2	JOINT TEFLON 8.5X4X2	DICHTUNG TEFLON 8.5X4X2



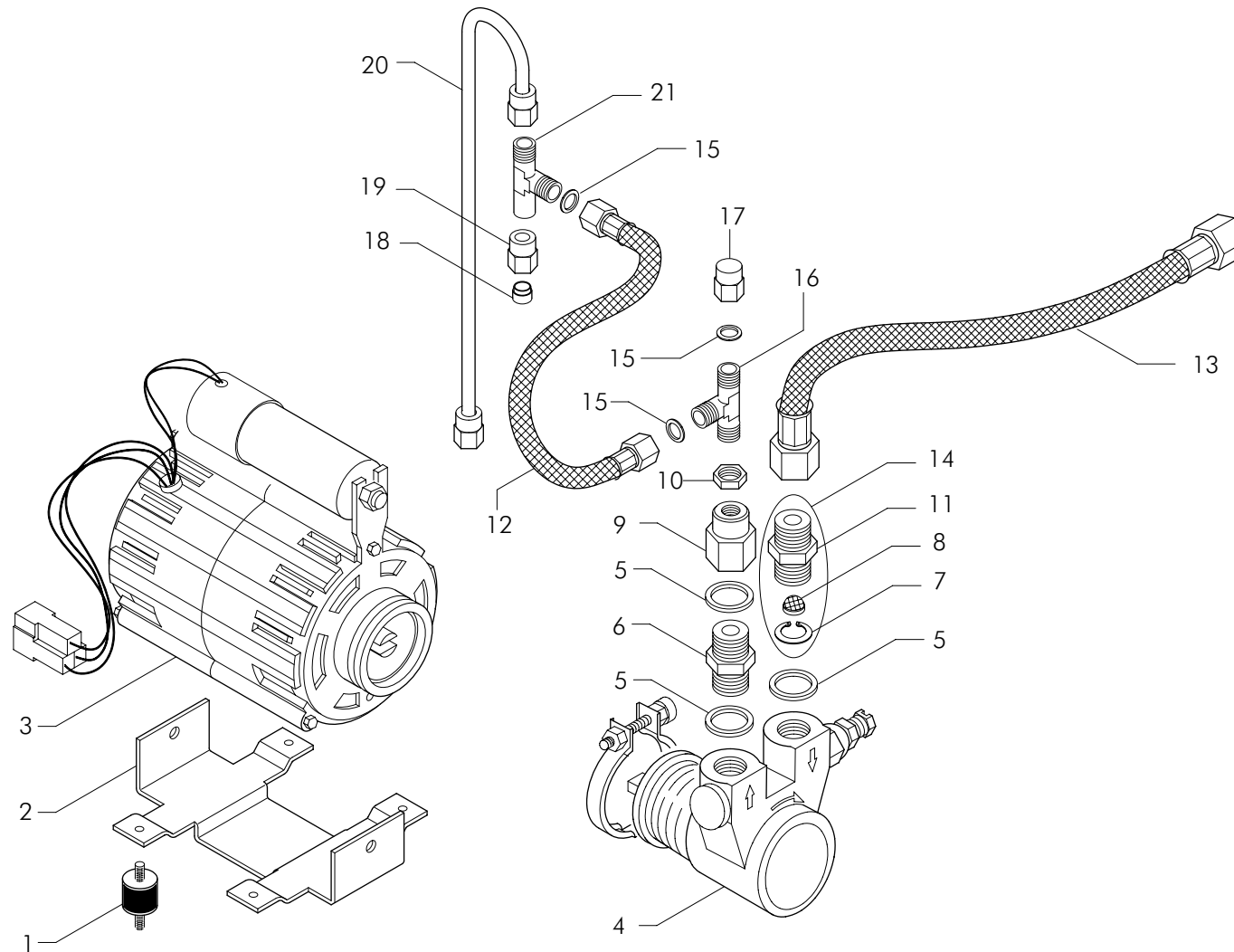
Pos	Cod.	Denominazione - IT -	Denomination - GB -	Denomination - FR -	Denomination - DE -
38	WY12155	GUARNIZIONE CU 8.5X5X1	COPPER GASKET 8.5X5X1	JOINT CU 8.5X5X1	CU DICHTUNG 8.5X5X1
39	WY10251001	FILTRO IN ACCIAIO D-8 SP.0,3	STEEL FILTER D-8 - 0.3 THICK	FILTRE EN ACIER D-8 EP.0,3	STAHLFILTER D-8 SP.0,3
40	WY23293	STROZZATURA RICIRCOLO GR D 4	REDUCED CONNECTOR OF GROUP D4	RACCORD REDUIT DU GROUPE D4	VERKLEINERTE FITTING DER GRUPPE D4
41	WY12329	GUARNIZIONE OR 2031 HNBR 7.66XW1.78	O RING 2031 HNBR 7.66XW1.78	JOINT OR 2031 HNBR 7.66X1.78	OR DICHTUNG 2031 HNBR 7.66XW1.78
42	WY20366	VALVOLA AUTO INNESCO S/PROF	SELF-PRIMER BRASS VALVE	VANNE SELF	MESSING ANHEIZENVENTIL
43	WY23065	DADO + PORTAGOMMA 1/8	NUT + 1/8 HOSE CONNECTION	ECROU + PORTE-CAOUTCHOUC 1/8	MUTTER + GUMMIHALTER 1/8
44	WY15056000	FASCETTA BIFILARE A MOLLA D.7,8-8,3	CLAMP D.7,8-8,3	COLLIER D.7,8-8,3	SHELLE D.7,8-8,3
45	WY15422011	RACCORDO "T" POLIPROPILENE D-5 NERO	"Y" POLYPROPYLENE FITTING	RACCORD "Y" POLYPROPYLENE	ANSCHLUSS "Y" POLYPROPYLENE
46	WY15056001	FASCETTA BIFILARE A MOLLA D.8,8-9,3	CLAMP D.8,8-9,3	COLLIER D.8,8-9,3	SHELLE D.8,8-9,3



Pos	Cod.	Denominazione - IT -	Denomination - GB -	Denomination - FR -	Denomination - DE -
1	WY15422004	RACCORDO "T" POLIPROPILENE D-8	POLYPROPYLENE T CONNECTOR D-8	RACCORD T D-8 POLYPROPYLENE	T-ANSCHLUSS D-8 POLYPROPYLEN
2	WY15476	TUBO SILICONE 5X8 KGXMT 0.044	5X8 SILICONE PIPE	TUYAU SILICONE 5X8 KGXMT 0.04	SILIKONROHR 5X8 KGXMT 0.044
3	WY12012	GUARNIZIONE TEFLON 8.5X4X2	GASKET TEFLON 8.5X4X2	JOINT TEFLON 8.5X4X2	DICHTUNG TEFLON 8.5X4X2
4	WY23065	DADO + PORTAGOMMA 1/8	NUT + 1/8 HOSE CONNECTION	ECROU + PORTE-CAOUTCHOUC 1/8	MUTTER + GUMMIHALTER 1/8
5	WY78077000	SUPPORTO CONTENITORE H2O	WATER TRAY SUPPORT	SUPPORT CUVE EAU	WASSERBEHALTER LAGER
6	WY15020004	SUPPORTO FISSO VASO ACQUA	SUPPORT WATER TRAY	SUPPORT CUVE EAU	WASSERBEHALTER
7	WY18255000	SENSORE MAGNETICO REED	REED SWITCH	CAPTEUR MAGNETIQUE	MAGNETFUHLER
8	WY23301	VITE TC INOX 3X8 TAGLIO CACCIAVITE	STEEL SCREW TC 3X8	VIS INOX TC 3X8	STAHLSCHRAUBE TC 3X8
9	WY12300021	GUARNIZIONE OR SERBATOIO ESTRAIBILE	GASKET O RING	JOINT OR	DICHTUNG OR
10	WY15514101	CONTENITORE ACQUA COMPLETO	WATER TANK CKX / CKXE	CUVE EAU COMPLET	WASSERBEHALTER



Pos	Cod.	Denominazione - IT -	Denomination - GB -	Denomination - FR -	Denomination - DE -
1	WY22030	CAVO H 0.5VV-F 3X1.5+SPINA258 L2500	CABLE H 0.5VV-F 3X1.5 + PLUG 258	CABLE H 0.5VV-F 3X1.5 + FICHE 258	KABEL H 0.5VV-F 3X1.5 + STECKER 258
2	WY18162002	ELETTROVALVOLA 230V AEA VE140.2IR	SOL.VALVE 230V PARKER VE140.2IR	ELECTROVANNE 230V PARKER VE140.2IR	MAGNETVENTIL 230V PARKER VE140.2IR
3	WY18268	PULSANTE BIPOLARE ROSSO B417B19000000	RED BIPOLAR SWITCH B417B19000000	BOUON BIP.ROUGE B417B19000000	ZWEIP.ROT DRUCKKNOPF B417B19000000
4	WY18135	DEVIATORE BIP.ROSSO B41LC19210000	RED BIPOLAR SWITCH B41LC19210000	COMMUTATEUR BIP.ROUGE B41LC19210000	UMSCHALTER 2P. ROT B41LC19210000
5	WY19049	COPERTURA INTERRUTTORE B4	SWITCH COVER B4	PROTECTION INTERRUPTEUR	SCHALTER ABD. B4
6	WY18260	INTERRUTTORE BIPOLARE LUMINOSO ROSSO	B418C1G210000 LUMINOUS RED BIPOLAR	INTER. BIP. LUMINEUX ROUGE B418C1G210	ZWEIPOLIGER ROTER LEUCHTSCHALTER B418C1
7	WY18045	CENTRALINA MFC 2S 220/240V	GEARCASE MFC 2S 220/240V	CENTRALE MFC 2S 220/240V	STEUERUNG MFC 2S 220/240V
8	WY22718103	CABLAGGIO PROLUNGA INT.MININOVA	CABLE MININOVA	CABLAGE MININOVA	VERDRAHTUNG MININOVA
8	WY22722001	CABLAGGIO VIB.	WIRING HARNESS	CABLAGE VIB.	VERDRAHTUNG VIB.
8	WY22722004	CABLAGGIO M.I.	WIRING HARNESS M.I.	CABLAGE M.I.	VERDRAHTUNG M.I.
9	WY20155	PRESSOSTATO XP79B921.010 T.1BAR 1/8	PRESSURE SWITCH 1 BAR 1/8 GAS	PRESSOSTAT P79B921.010 1BAR 1/8 GAZ	DRUCKMESSER XP79B921.010 T.1BAR 1/8



Pos	Cod.	Denominazione - IT -	Denomination - GB -	Denomination - FR -	Denomination - DE -
1	WY15105	GOMMA AMMORTIZZATORE X MOTORE RAF.H2O	RUBBER FOR WATER COOLED MOTOR ZEC.	CAOUTCHOUC POUR MOTEUR REFROID.EAU ZEC.	GUMMI X WASSERGEKÜHLTER MOTOR ZEC.
2	WY78174001	SUPPORTO MOTORE INC. RPM	MOTOR SUPPORT	SUPPORT MOTEUR	EINGEBAUTER MOTORHALTER
3	WY18303	MOTORE R.P.M. 230V 120W	MOTOR R.P.M. 230V 120W	MOTEUR R.P.M. 230V 120W	MOTOR R.P.M. 230V 120W
3	WY18304	MOTORE R.P.M. 110V 120W	MOTOR R.P.M. 110V 120W	MOTEUR R.P.M. 110V 120W	MOTOR R.P.M. 110V 120W
4	WY26303002	POMPA FLUID-O-TECH 50LT/H P0054	FLUID-O-TECH PUMP	POMPE FLUID-O-TECH 50 LT/H P005	PUMPE FLUID-O-TECH
5	WY12154	GUARNIZIONE CU 3/8 22X17X1.5	3/8 22X17X1.5 COPPER SEAL	JOINT CUIVRE 3/8 22X17X1.5	KUPFERDICHTUNG 3/8 22X17X1.5
6	WY25687	RACCORDO 3/8X3/8 GAS	3/8X3/8 GAS FITTING	RACCORD 3/8X3/8 GAZ	ANSCHLUSS 3/8X3/8 GAS
7	WY10005	ANELLO DI ARRESTO INOX DIN472 D11	DIN472 D11 STAINLESS STEEL STOP RING	ANNEAU DE BUTEE INOX DIN472 D11	DRAHTSPRENGRING ROSTFREI DIN472 D11
8	WY10254	FILTRO ACCIAIO 160-200 MESH	STEEL FILTER 160-200 MESH	FILTRE EN ACIER 160-200 MESH	STAHLFILTER 160-200 MESH
9	WY25744	RIDUZIONE 1/8FX3/8F V.N.R.	REDUCTION 1/8FX3/8F	REDUCTION 1/8FX3/8F	REDUKTION 1/8FX3/8F
10	WY25395	DADO 1/8 MANOMETRO	1/8 NUT GAUGE	ECROU 1/8 MANOMETRE	MUTTER 1/8 MANOMETER
11	WY25732	RACCORDO 3/8X3/8 + SEDE FILTRO	3/8X3/8 FITTING + FILTER HOUSING	RACCORD 3/8X3/8 + LOG. FILTRE	ANSCHLUSS 3/8X3/8 + FILTERSITZ
12	WY30405	TUBOFLEX 1/8FF P.GOMMA PIA. L19 NI	TUBOFLEX 1/8FF RUBBER-HOLDER L19	TUBOFLEX 1/8FF PORTE-TUYAU L19	TUBOFLEX 1/8FF GUMMI-HALTER L19
13	WY30408	TUBOFLEX 3/8FF P.GOMMA CON. L150 NI	3/8 FEMALE L150 FLEX PIPE CONICAL HOSE	TUYAU FLEX 3/8 FF L150 PORTE-TUYAU	SCHLAUCH 3/8 AUFNAHMETÜR L150 GUMMI KONI
14	WY56116	RACCORDO 3/8+3/8 MOTOPOMPA ASSIEME	CONNECTOR 3/8+3/8 PUMP ASSEMBLY	RACCORD 3/8 + 3/8 ENS. MOTOPOMPE	ANSCHLUSS 3/8 + 3/8 MOTORP. ZUSAMMEN
15	WY12012	GUARNIZIONE TEFLON 8.5X4X2	GASKET TEFLON 8.5X4X2	JOINT TEFLON 8.5X4X2	DICHTUNG TEFLON 8.5X4X2
16	WY23211	RACCORDO OTT."T" 1/8X1/8X1/8 30006	BRASS CONNECTOR 'T' 1/8X1/8X1/8	RACCORD LAITON "T" 1/8X1/8X1/8	MESSING FITTING "T" 1/8X1/8X1/8
17	WY25790	TAPPO 1/8 GAS FEMMINA	FEMALE CAP 1/8 GAS	BOUCHON FEMELLE 1/8 GAS	STOPFEN 1/8 GAS
18	WY25800	TERMINALE D6	TERMINAL D6	BORNE D6	ENDVERSCHLUSS D6
19	WY25701	RACC.MANOMETRO 1/8 FORO 6	MANOMETER CONNECTOR 1/8 HOLE 6	RACCORD MANOMETRE 1/8 TROU 6	MANOMETERFITTING 1/8 LOCH 6
20	WY52002053	TUB.D-6 L.200 CO 43 RACC."T" ORIENT.	TUBE D-6 L.200	TUYAU D-6 L.200	ROHR D-6 L.200
21	WY23195	RACCORDO OTT."T" ORIENT. S03600-A-6	BRASS FITTING 'T' S03600-A-6-6	RACCORD LAITON 'T' S03600-A-6-6	MESSING FITTING 'T' S03600-A-6-6