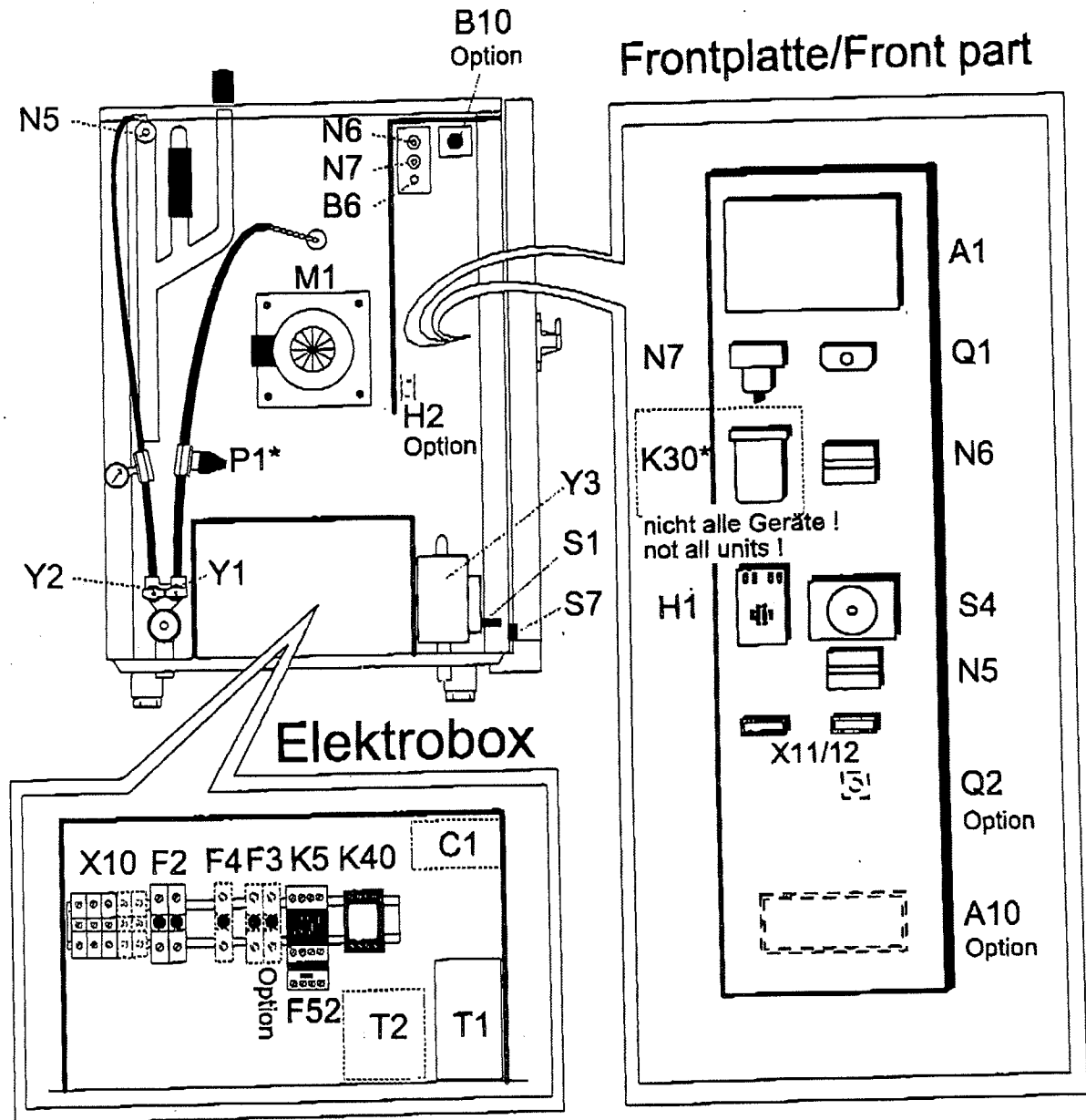


## 8. Spare Part List

### 8.3 Spare Part List OD 10.20 / 12.20 gas

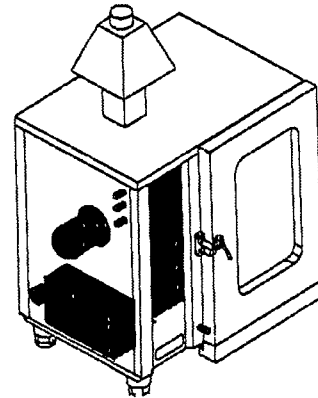
#### 8.3.1 Electric Spare Parts OD 10.20 gas - electromechanical version (up to 6/97)



If ordering spare parts always indicate the serial number of the unit !

\* = all units OD 10.20 / 12.20 without K30 and with the new pressure gauge switch (changer contact)

## 8. Spare Part List

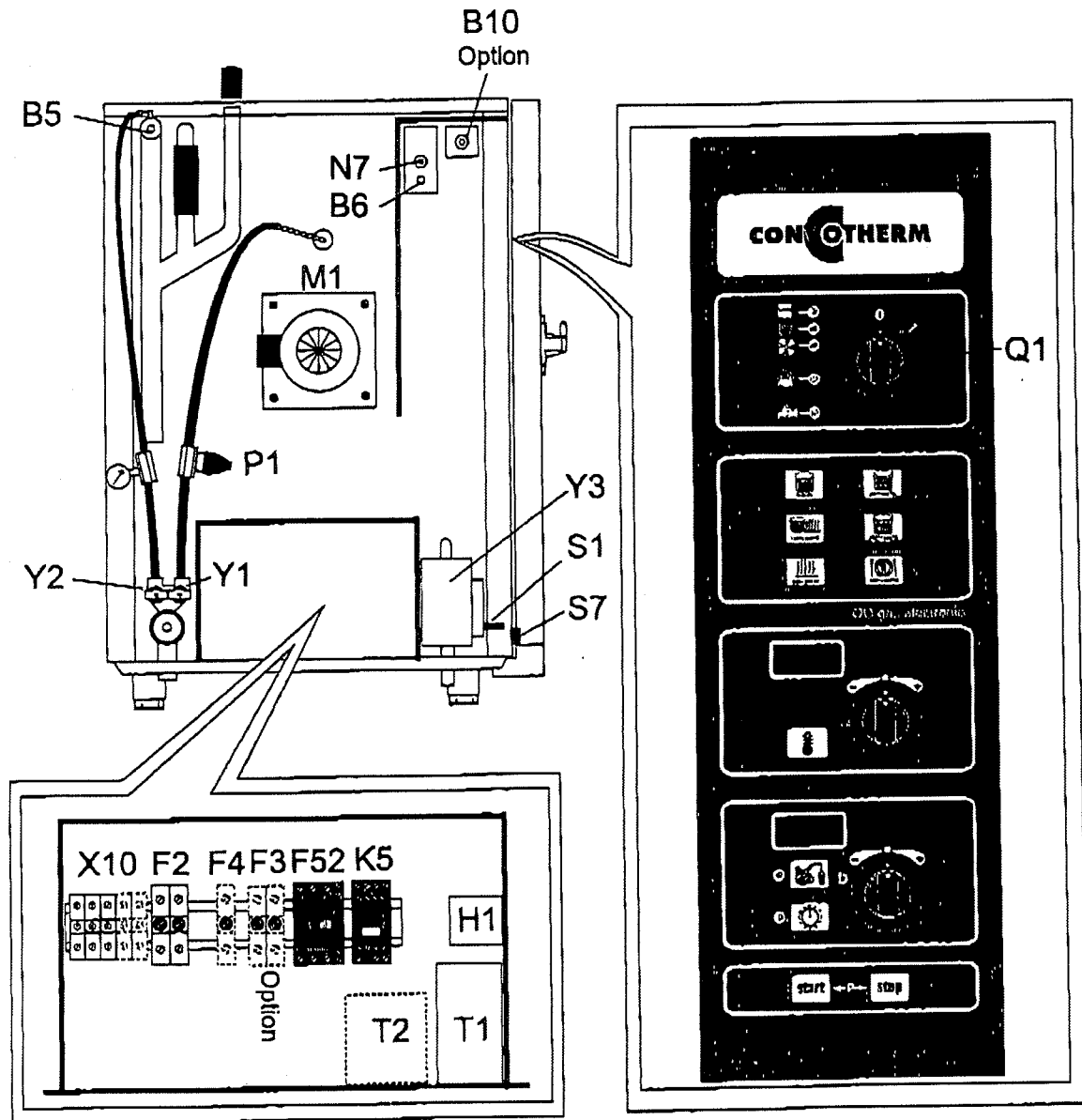


Pos.	Description	230V/400V 3PE/3NPE 50Hz	240V/415V 3PE/3NPE 50Hz	230V/400V 3PE/3NPE 60Hz	200V 3PE 50/60Hz
A1	Control board	5009015	5009015	5009015	5009015
B6	Oven probe PT100	5001035	5001035	5001035	5001035
B7	Thermocouple	5009048	5009048	5009048	5009048
C1	Condenser 16 $\mu$ F 400V	-	-	-	-
E51/ 52/ 53	Oven lamp with flat glass cover	5005045	5005045	5005045	5005045
F2/F4	Fuse 0.5 Amp.	4005063	4005063	4005063	4005063
F52	Overload relay	4002046	4002046	4002046	4002046
H1	Buzzer	4003052	4003052	4003052	4003052
K40	Relay 2U	4000022	4000023	4000022	4000022
K5	Motor Relay 25 A	4001032	4001033	4001034	4001032
M1	Fan motor	5008045	5008045	5008045	5008045
N5	Thermostat 30 - 90°C	5001020	5001020	5001020	5001020
N6	Thermostat 50 - 250°C	5001032	5001032	5001032	5001032
N7	Safety thermostat	5001031	5001031	5001031	5001031
P1*	Pressure gauge switch (changer contact)	5009063	5009063	5009063	5009063
Q1	Power (programme) switch	5003019	5003019	5003019	5003019
S1	Ignition switch (gas valve)	5001050	5001050	5001050	5001050
S4	Timer 0-120/100 Min.	5001006	5001006	5001007	5001006
S7	Door magnet switch	5003079	5003079	5003079	5003079
T1	High voltage transformer	5002038	5002038	5002038	5002038
T2	Transformer 200V prim.	-	-	-	5002039
X10	Terminal block 10 mm <sup>2</sup>	4006160	4006160	4006160	4006160
X11	Plug connection	5006088	5006088	5006088	5006088
X12	Plug connection	5006089	5006089	5006089	5006089
Y1/Y2	Solenoid valves (double)	5001080	5001080	5001080	5001080
Y1/Y2	Solenoid valve (single)	5001059	5001059	5001059	5001059
Y3	Gas valve	5001051	5001051	5001051	5001051
-	Terminal block 4 mm <sup>2</sup>	4004010			
-	Ground terminal 10 mm <sup>2</sup>	4006033			
-	Plug terminal	4004012			
-	End plate for terminal	4006031			
-	Cable HF 150 mm	4008088			

## 8. Spare Part List

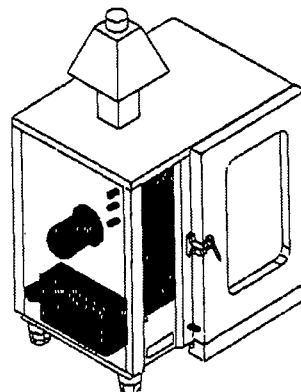
### 8.3 Spare Part List OD 10.20 / 12.20 gas

#### 8.3.2 Electric spare parts OD 12.20 gas electronic (from 6/97)



If ordering spare parts always indicate the serial number of the unit !

## 8. Spare Part List

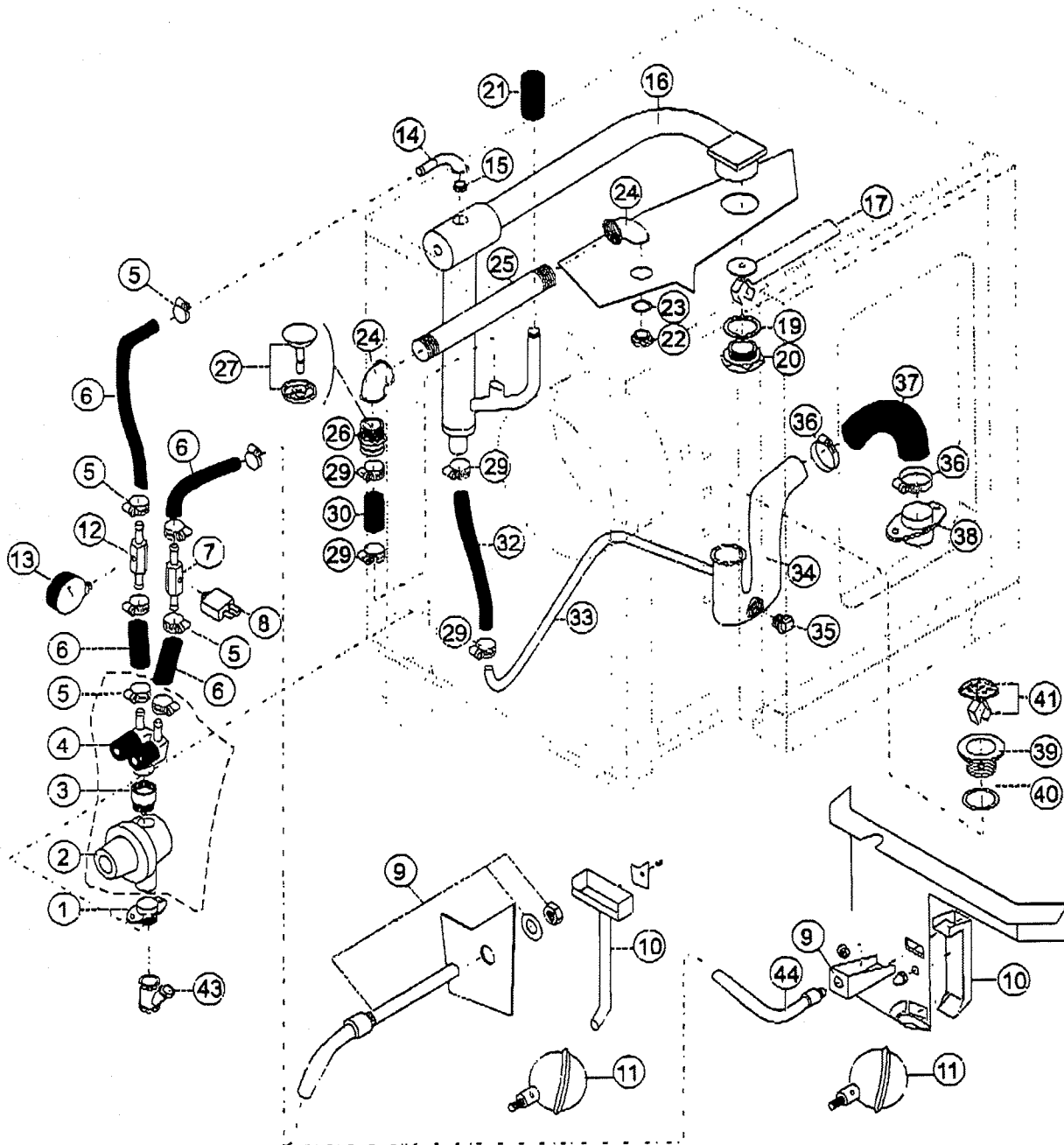


Pos.	Description	1NPE 220-240V 50Hz	1NPE 220-240V 60Hz	3NPE 380-415V 50/60Hz	3PE 220- 240V 50/60Hz	3PE 200V 50/60Hz	1NPE 100V 50/60Hz
	Control board	5009029	5009029	5009029	5009029	5009029	5009029
B5	Bypass probe	5009053	5009053	5009053	5009053	5009053	5009053
B6	Oven probe PT100	5001035	5001035	5001035	5001035	5001035	5001035
B7	Thermocouple	5009048	5009048	5009048	5009048	5009048	5009048
E51/52/53	Oven lamp with flat glass cover	5005045	5005045	5005045	5005045	5005045	5005045
F1	Fuse 2 A	4005066	4005066	4005066	4005066	4005066	4005066
F2	Fuse 1 Amp.	4005064	4005064	4005064	4005064	4005064	4005064
F52	Motor protection switch	4002036	4002038	4002034	4002034	on requ.	4002037
H1	Buzzer	4003050	4003050	4003050	4003050	4003050	4003050
	Interference filter valve+buzzer	4001075	4001075	4001075	4001075	4001075	4001075
K5	Motor relay	4001020	4001020	4001020	4001020	4001020	4001020
	Interference filter K5	4001078	4001078	4001078	4001078	4001078	4001078
M1	Fan motor	5008072	5008062	5008071	5008071	5008071	on requ.
N7	Safety thermostat	5001031	5001031	5001031	5001031	5001031	5001031
P1	Pressure gauge switch (changer contact)	5009063	5009063	5009063	5009063	5009063	5009063
Q1	Power switch	5003025	5003025	5003025	5003025	5003025	5003025
S1	Ignition switch (gas valve)	5001050	5001050	5001050	5001050	5001050	5001050
S7	Door magnet switch	5003079	5003079	5003079	5003079	5003079	5003079
T1	High voltage transformer	5002038	5002038	5002038	5002038	5002038	5002038
T2	Transformer 200V primary	-	-	-	-	5002039	-
T2	Transformer 100V primary	-	-	-	-	-	5002030
P7	Plug connection	4006022	4006022	4006022	4006022	4006022	4006022
P6	Plug connection	4006021	4006021	4006021	4006021	4006021	4006021
P2	Plug connection	4006002	4006002	4006002	4006002	4006002	4006002
Y1/Y2	Double Solenoid valves	5001080	5001080	5001080	5001080	5001081	5001080
Y1/Y2	Single solenoid valves	5001059	5001051	5001059	5001059	5001059	5001059
Y3	Gas valve	5001051	4004010	5001051	5001051	5001051	5001051
-	Terminal block 10 mm <sup>2</sup>	4004010	4008026	4004010	4004010	4004010	4004010
-	Ground terminal 4mm <sup>2</sup>	4006026	4006023	4006026	4006026	4006026	4006026
-	Terminal block 4mm <sup>2</sup>	4006023	4006071	4006023	4006023	4006023	4006023
-	Terminal link 2 pole	4006071	4006072	4006071	4006071	4006071	4006071
-	Terminal link 3 pole	4006072	4008088	4006072	4006072	4006072	4006072
-	Cable HF 150 mm	4008088	4008088	4008088	4008088	4008088	4008088

# 8. Spare Part List

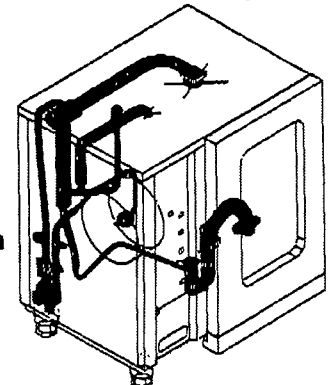
## 8.3 Spare Part List OD 10.20 / 12.20 gas

### 8.3.3 Water installation OD10.20 / 12.20gas



## 8. Spare Part List

Pos.	Part No.	Description	Quantity	Wiring diagram
1	6006077	Water inlet connector 3/4"-1/2"	1 Ea.	
2	5001085	Pressure regulator valve	1 Ea.	
3	6006159	Sleeve 3/4"i x 1/2"a	1 Ea.	
4		Double solenoid valve: see electric parts*	1(2) Ea.	Y1;Y2
5	6006126	Hose connector 12-20	8 Ea.	
6	7002033	Hose - inner Ø 17x10	2,2 m	
7	6006016	Connecting nozzle Ø 0,7	1 Ea.	
8		Pressure switch: see electric parts	1 Ea.	P1
9	6006110	Water inlet for injector nozzle	1 Ea.	
9	2004145	Injection pipe square	1 Ea.	
10	6006115	Injection pipe Ø =10	1 Ea.	
10	2004143	Injection pipe square OD12.20gas	1 Ea.	
11	6006009	Water diffuser	1 Ea.	
12	6006028	T-Piece for pressure gauge 1/8"	1 Ea.	
13	6006140	Pressure gauge	1 Ea.	
14	6006080	Elbow pipe for nozzle	1 Ea.	
15	6006015	Jet nozzle 1/8"	1 Ea.	
16	6005110	Bypass pipe	1 Ea.	
17	6006123	Over pressure valve - counterweight compl.	1 Ea.	
19	6006133	Sealing washer for Bypass	1 Ea.	
20	5006050	Sealing washer for Bypass	1 Ea.	
21	6006135	Sound absorber	1 Ea.	
22	6006157	Connection piece 3/4"	1 Ea.	
23	6005018	Flat seal 42x25	1 Ea.	
24	6005098	Elbow 3/4"	2 Ea.	
25	2006060	Low pressure safety pipe	1 Ea.	
26	6006042	Threaded nipple for hose connection	1 Ea.	
27	6006124	Low pressure valve complete	1 Ea.	
29	6006127	Hose connector 25-40	4 Ea.	
30	7002027	Connecting hose 38x28	0,1 m	
32	7002026	Connecting hose 28x18	0,5 m	
33	6006117	Drain pipe for Siphon CNS OD10.20/12.20G	1 Ea.	
34	3007082	Siphon	1 Ea.	
35	6006079	Hexagon plug 1"	1 Ea.	
36	6006128	Hose connector 50-70	2 Ea.	
37	7002081	Hose bend Ø = 60 OD10.20/12.20gas	1 Ea.	
38	6006116	Drain pipe 1 1/2"	1 Ea.	
39	3007083	Drain connection	1 Ea.	
40	5008028	Flat seal 58x40x1	1 Ea.	
41	6005138	Drain filter Ø =82 CNS complete	1 Ea.	
43	6006061	Water filter 3/4"	1 Ea.	
44	2004147	Water inlet for injector nozzle	1 Ea.	



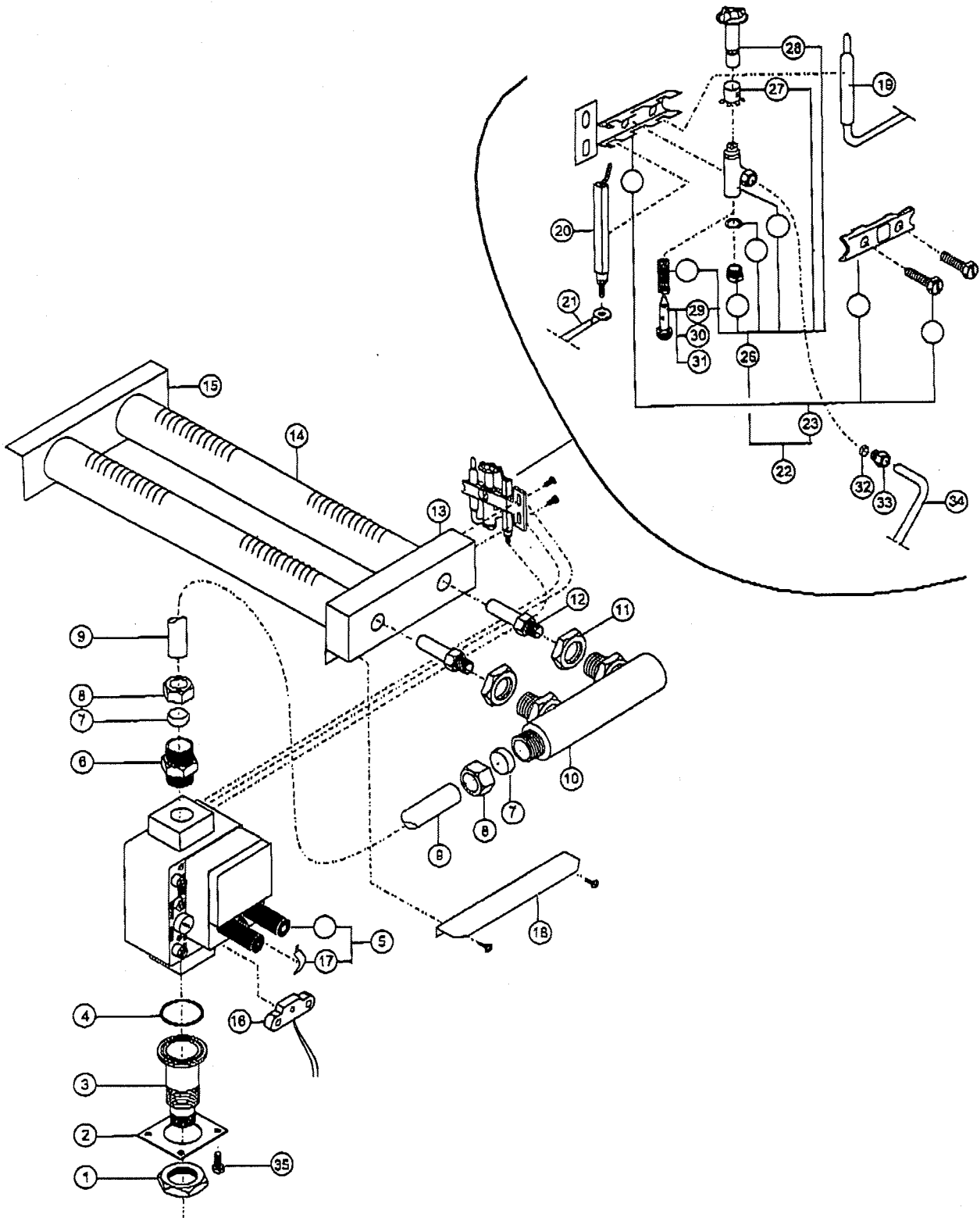
**Information:**

\* In units with 2 water connections are included 2 pieces of Pos. 1, 2, 3, 12, 13, 43, 10 pieces of Pos. 5 and instead of a double solenoid valve there are two single solenoid valves mounted !

# 8. Spare Part List

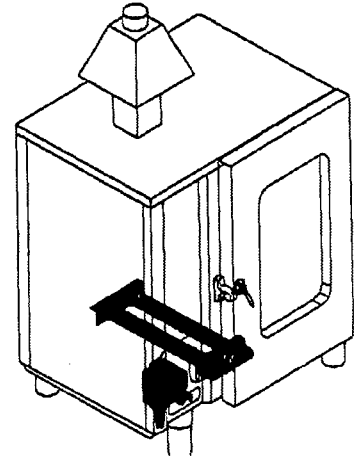
## 8.3 Spare Part List OD 10.20 / 12.20 gas

### 8.3.4 Gas installation OD 10.20 / 12.20gas



## 8. Spare Part List

If ordering spare parts always indicate the serial number of the unit !



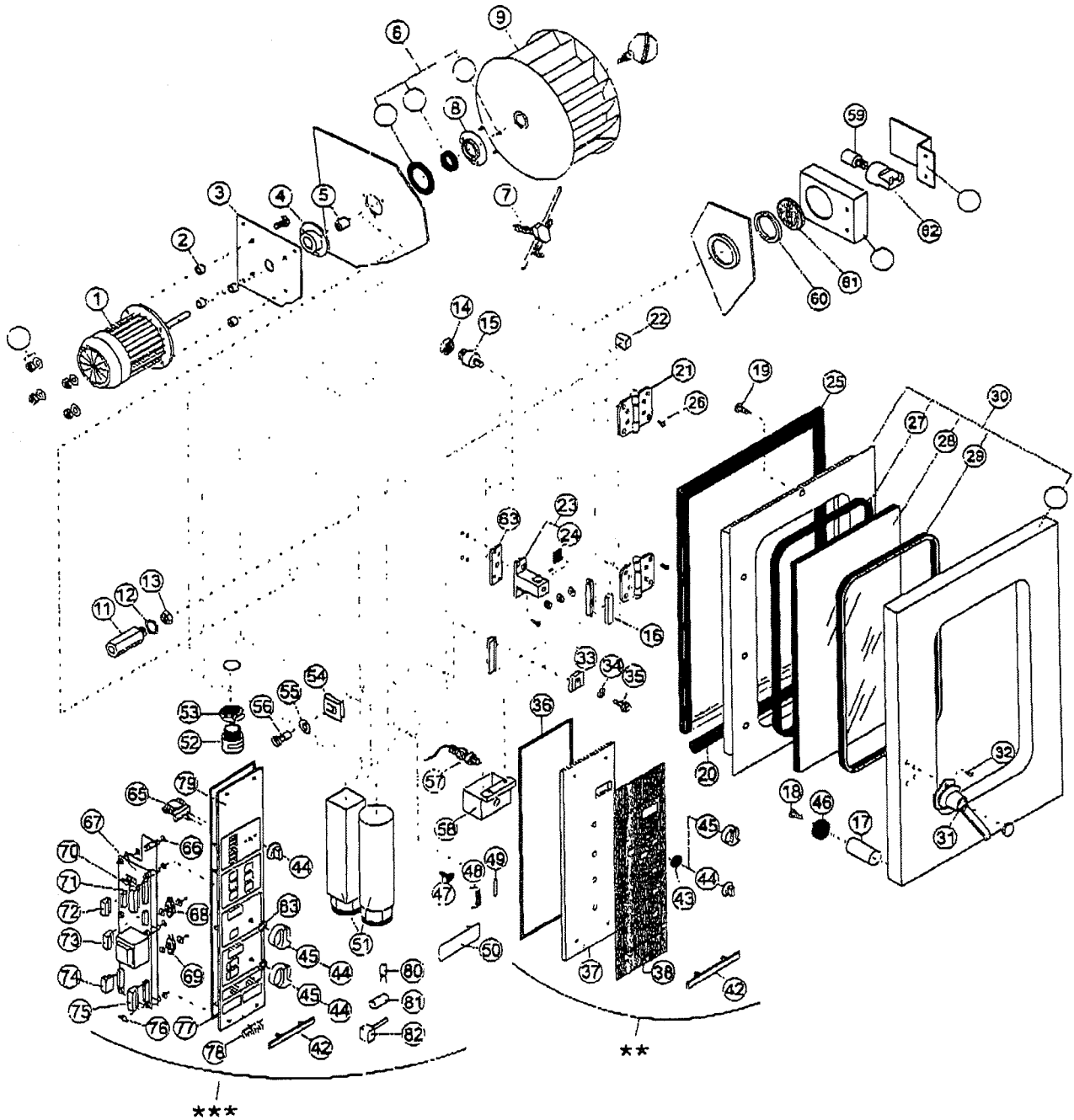
Pos.	Part No.	Description	Quantity	Wiring diagram
1	6006152	Counter nut 3/4"	1 Ea.	
2	2009028	Assembly flange for gas valve	1 Ea.	
3	6007080	Threaded gas connector	1 Ea.	
4	6006130	O-Ring for gas valve	1 Ea.	
5	5001051	Gas valve 1/2 "	1 Ea.	Y3
6	6006156	Reducing piece 1/2"-M10	1 Ea.	
7	6006149	Conical seal Ø = 12x8	2 Ea.	
8	6006151	Union nut A-Ø 12	2 Ea.	
9	2000064	Burner gas pipe, copper Ø = 12	1 Ea.	
10	6006100	Gas distributor pipe	1 Ea.	
11	6006153	Counter nut 3/8" x5	3 Ea.	
12		Gas nozzle: see 8.6	2 Ea.	
13	6006141	Burner holder, front	1 Ea.	
14	6006139	Gas burner 15 kW	2 Ea.	
15	6006146	Burner holder, rear	1 Ea.	
16	5001050	Ignition switch	1 Ea.	S1
17	5001049	Valve spring	1 Ea.	
18	2004046	Primary air panel OD10.20/12.20gas	1 Ea.	
19	5009048	Thermocouple	1 Ea.	B7
20	6006131	Ignition pin	1 Ea.	
21	4008087	Cable HF 1200mm	1 Ea.	
22	5001088	Ignition assembly complete	1 Ea.	
23	6006160	Holder ignition assembly complete	1 Ea.	
26	6006101	Pilot body	1 Ea.	
27	6006102	Air regulator	1 Ea.	
28	6006136	Pilot burner 3-flame	1 Ea.	
29	6006008	Gas nozzle 25/100 mm	1 Ea.	
30	6005182	Gas nozzle 35/100 mm	1 Ea.	
31	--	--	-	
32	6006148	Conical seal Ø = 6x6,5	2 Ea.	
33	6006150	Union nut A-Ø 6	3 Ea.	
34	2000063	Pilot gas pipe, copper Ø = 6x10	1 Ea.	
35	6005128	Hexagon screw M4x16 SW7	4 Ea.	



# 8. Spare Part List

## 8.3 Spare Part List OD 10.20 / 12.20 gas

### 8.3.5 Electrical Parts, Door OD 10.20 / 12.20gas



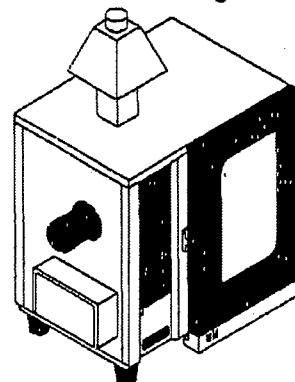
\*\* = OD 10.20gas - electromechanical version up to 6/97  
\*\*\* = OD 12.20gas electronic from 6/97

If ordering spare parts always indicate the serial number of the unit !

## 8. Spare Part List

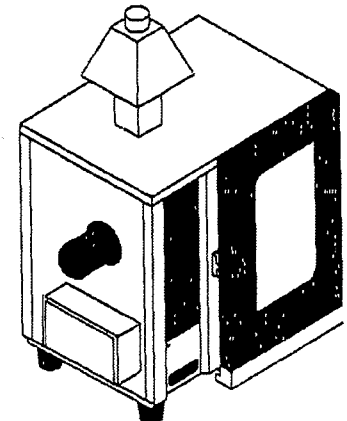
Pos.	Part No.	Description	Quantity
1		Motor → see electric parts	1 Ea.
2	6005131	Distancing bush	4 Ea.
3	5008027	Flange plate for motor	1 Ea.
4	5008025	Stuffing box	1 Ea.
5	5008029	Motor shaft Ø = 23	1 Ea.
6	5008035	Seal set for motor shaft	1 Ea.
7	6000049	Special key wrench for fan wheel	1 Ea.
8	5008026	Cap for stuffing box	1 Ea.
9	6000050	Fan wheel 400x135 V2A	1 Ea.
11	6006158	Extension piece	2 Ea.
12	6006132	Sealing washer for extension piece	4 Ea.
13	6006154	Counter nut M16 x1,5x6	1 Ea.
14	8004071	Flat nut M12	4 Ea.
15	6005130	Probe fastener	4 Ea.
16	7001058	Seal 12x10	0,2 m
17	6005123	Holder for door magnet	1 Ea.
18	8001024	Oval headed screw M4x10	1 Ea.
19	8007004	Flat oval headed screw 2,9x13	46 Ea.
20	7002015	Silicon hose 15x2,5 (only 10.20)	0,7 m
21	6001034	Hinge HS 80; V2A	2 Ea.
22	6004014	PVC foot plate	1 Ea.
23	6002054	Door catch right 78 mm	1 Ea.
24	6002062	Plastic inset for door catch	1 Ea.
25	7001020	Door gasket OD 10.20gas □	1 Ea.
25	7001050	Door gasket OD 12.20gas □	1 Ea.
26	6001033	Hardware for hinge	2 Ea.
27	7001041	Window gasket	2,6 m
28	6008034	Safety glass window 651x737,5x5	1 Ea.
29	7001042	Outer Window gasket	2,6 m
30	on request	Door complete OD 10.20gas	1 Ea.
30	on request	Door complete OD 12.20gas	1 Ea.
31	6002053	Door latch	1 Ea.
32	6002043	Hardware for door latch	1 Ea.
33	6002004	Holder 4mm	4 Ea.
34	6002003	Washer 4mm	4 Ea.
35	6002002	Pin 4mm	4 Ea.
36	7004051	Sealing tape 7x3	2,0 m
37	6009149	Front panel CNS L=600 mm	1 Ea.
38	6009137	Front laminate piece red ODG	1 Ea.
38	6009138	Front laminate piece Hans Dampf	1 Ea.
38	6009136	Front laminate piece black	1 Ea.
38	6009139	Front laminate piece MKN Export	1 Ea.
42	6009150	Overlay guard	1 Ea.

Wiring  
diagram  
M1



(both incl. Pos. 17, 18, 21,  
25, 26, 31, 32, 46)

## 8. Spare Part List



43	5005019	Sealing washer Ø = 18x1,5	4	Ea.
44	6003010	Knob OD; white triangle	4	Ea.
45	6003023	Knob MKN; for OD	4	Ea.
46	5003080	Door magnet	1	Ea.
47	6006155	Cover Ø = 18	1	Ea.
48	6001061	Hinge spring	1	Ea.
49	6001060	Hinge pin	1	Ea.
50	on request	Spring panel	1	Ea.
51	6004049	Foot Ø = 80 CNS	4	Ea.
51	6004034	Foot □ = 80 x 80	4	Ea.
52	5006015	Cable gland Pg 16	1	Ea.
53	5006016	Counter nut Pg 16	1	Ea.
54	6002008	Holder 6 mm	4	Ea.
55	6002007	Washer 6 mm	4	Ea.
56	6002011	Pin 6 mm	4	Ea.
57	5003079	Door magnet switch	1	Ea.
58	2106970	Door magnet switch casing	1	Ea.
59	5005045	Oven lamp 25 Watt	3	Ea.
60	5005026	Flat seal	3	Ea.
61	5005055	Flat glass cover for oven light	3	Ea.
62	5005050	Lamp holder	3	Ea.
63	6002044	Plastic plate / door catch 100 x 32 x 18	1	Ea.
65	5003022	Rotary switch 4 pole	1	Ea.
66	6005054	Silicon washer 10 x 4 (2x per bolt)	14	Ea.
67	5009029	Electronic board with Eprom chip 8.1X	1	Ea.
68	5009083	Spring loaded knob - temperature	1	Ea.
69	5009082	Spring loaded knob - time / CTC	1	Ea.
70	5009183	Eprom V1.1X with CTC	1	Ea.
70	5009184	Eprom V1.0X without CTC	1	Ea.
71	4006003	Terminal block 1,5 - P1 - 12 pole	1	Ea.
72	4005093	Terminal block 1,5 - X8 - 4 pole	1	Ea.
73	4006002	Terminal block 1,5 - P2 - 7 pole	1	Ea.
74	4006021	Terminal block 1,5 - P6 - 7 pole	1	Ea.
75	4006022	Terminal block 1,5 - P7 - 6 pole	1	Ea.
76	8004024	Wing nut M4	1	Ea.
77	7003066	Seal	1,6	m
78	4006113	Earth contact strips	2	Ea.
79	6009222	Front laminate piece ODgas electronic red	1	Ea.
79	6009223	Front laminate piece ODgas electronic HD	1	Ea.
79	6009227	Front laminate piece ODgas electronic black	1	Ea.
79	6009278	Front laminate piece ODGE red round button	1	Ea.
80	5003046	Bulb for key back lighting		
81	5009085	Push button cap		
82	5009095	Potentiometer	3	Ea.
83	5009108	Seal		

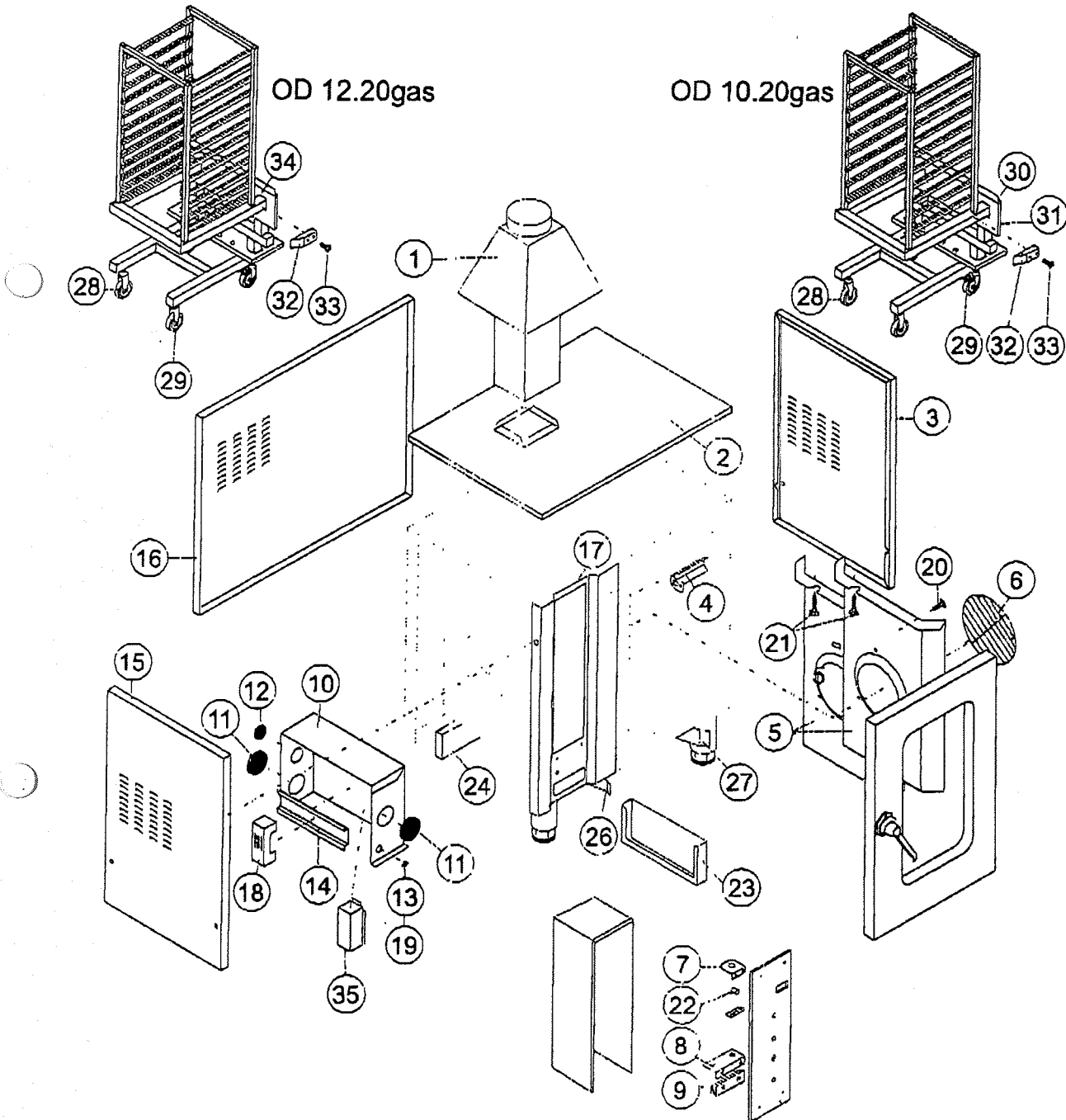
S7

E51/E52/E53

# 8. Spare Part List

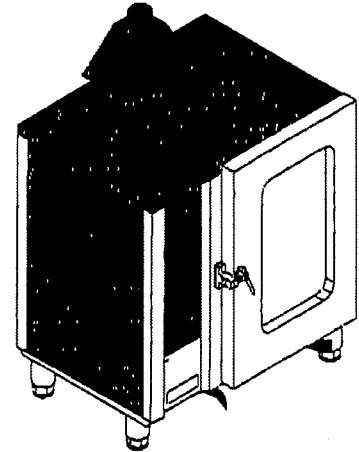
## 8.3 Spare Part List OD 10.20 / 12.20 gas

### 8.3.6 Unit casing OD 10.20 / 12.20gas



Attention: If ordering spare parts always indicate the serial number of the unit !

## 8. Spare Part List



Pos.	Part No.	Description	Quantity
1	2004157	Chimney hood complete	1 Ea.
2	on request	Outer cover	1 Ea.
3	on request	Right cover panel OD10.20/12.20gas	1 Ea.
4	on request	Cover plate for probe	1 Ea.
5	on request	Suction panel OD10.20/12.20gas	1 Ea.
5	2004138	Suction panel OD12.20gas for inj. pipe squ.	1 Ea.
6	2009033	Protection grid Ø = 390	1 Ea.
7	on request	Holder for safety thermostat	1 Ea.
8	on request	Holder for plug casing	1 Ea.
9	on request	Hanging bracket for front panel	1 Ea.
10	on request	Electric box casing	1 Ea.
11	6005021	Rubber bushing Ø = 42 mm	2 Ea.
12	6005029	Rubber bushing DG 21	1 Ea.
13	6005022	Rubber bushing Ø = 7,5	1 Ea.
14	on request	Support rail TS 35 150 mm long	1 Ea.
15	on request	Left cover panel OD10.20/12.20gas	1 Ea.
16	on request	Rear wall OD10.20/12.20gas	1 Ea.
17	on request	Front panel OD10.20/12.20gas	1 Ea.
18	4000026	Carrier relays	1 Ea.
19	6005000	Rubber bushing Ø = 13,5 mm	2 Ea.
20	6005133	Fastening screw for suction panel	2 Ea.
21	6005132	Pivot bearing for suction panel	2 Ea.
22	on request	Spacer pins	1 Ea.
23	on request	Right cover for burner OD 10.20/12.20gas	1 Ea.
24	on request	Holder for burner OD 10.20/12.20gas	1 Ea.
26	2106937	Runner profile left OD 10.20/12.20gas	1 Ea.
27	2106938	Runner profile right OD 10.20/12.20gas	1 Ea.
28	6004066	Fixed castors	2 Ea.
29	6004056	Swivel castors	2 Ea.
30	6005150	Upper seal - trolley . OD 10.20gas	1 Ea.
31	6005151	Lower seal - trolley . OD 10.20gas	1 Ea.
32	2006014	Plastic guides OD 10.20gas	2 Ea.
32	2006017	Plastic guides OD 12.20gas	2 Ea.
33	8002046	Phillips screw M6x20 DIN 966 A2	4 Ea.
34	3306950	Seal - trolley OD 12.20gas	1 Ea.
35	5106936	Cover high voltage transformer	1 Ea.