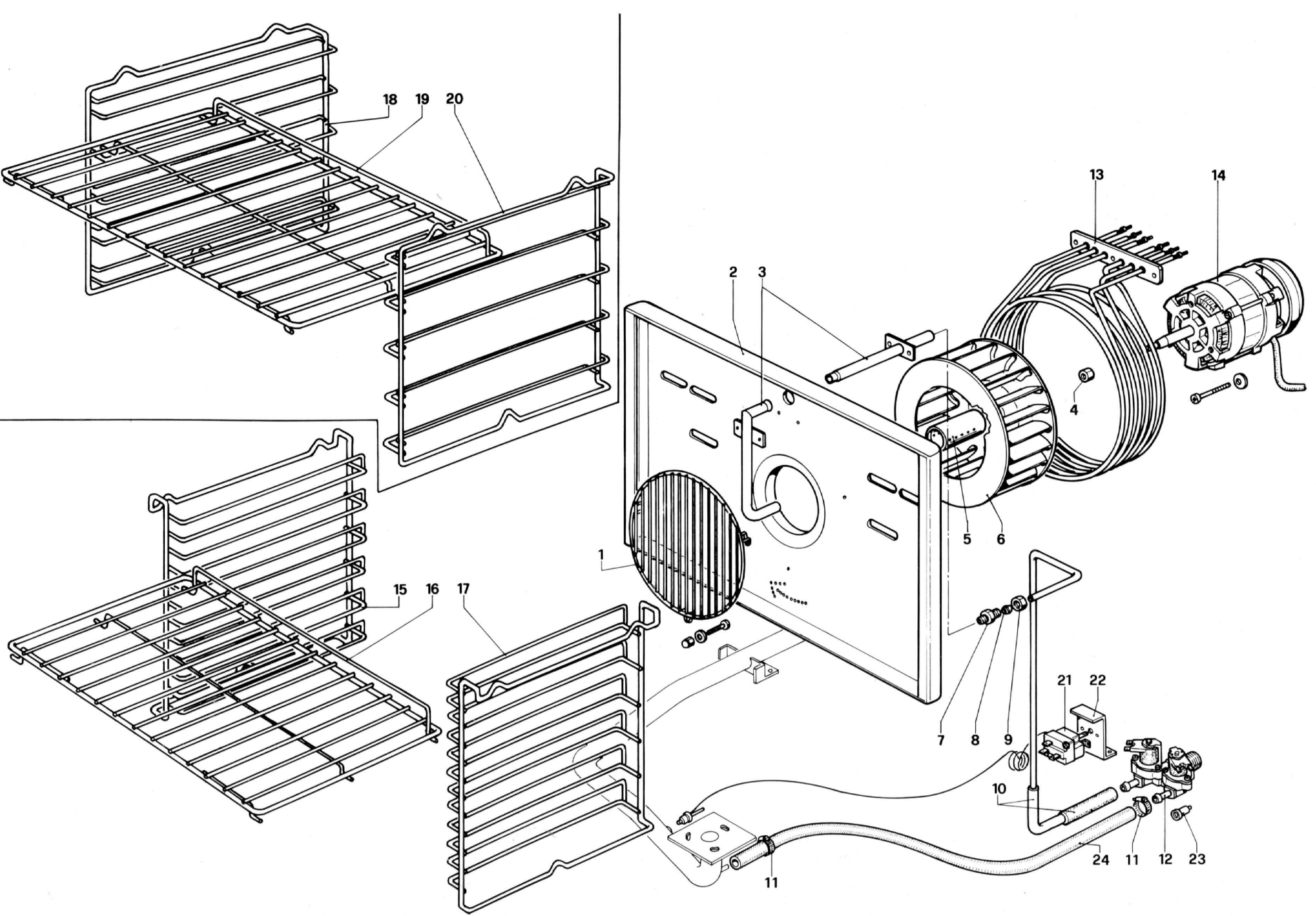
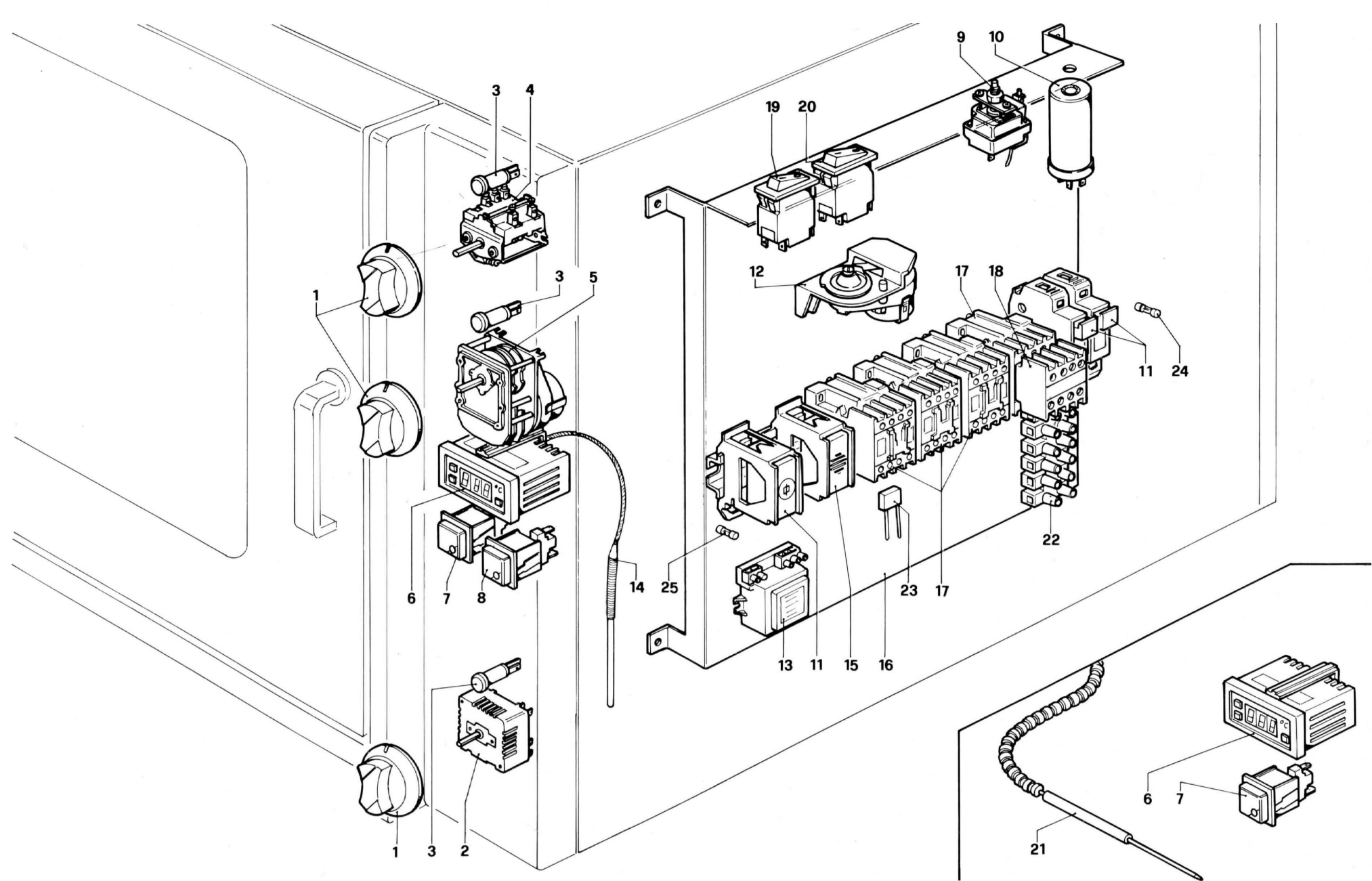


TAV.201		Struttura	Structure	Structure	Struktur	FEC060	FEO050	FEM060/061
	Codice	Denominazione	Denominaton	Denominaton	Bezeichnung			
1	GAFOC00009	Cassone forno	Caisson du four	Oven body	Ofenschublade	x	x	x
2	RTCU700002	Attacco griglia laterale	Attaque latérale	Lateral connection	Seitenanschluß	x	x	x
3	GAFOC00027	Disco copriforo	Disque	Disk	Scheibe	x	x	x
4	GAFOC00030	Cerniera superiore porta	Charnière supérieure	Upper hinge	Linke Türangel	x	x	x
5	GAFOC00031	Cerniera inferiore porta	Charnière inférieure	Lower door hinge	Untere Türangel	x	x	x
6	MPGOM03P00	Guarnizione vetro porta	Guarniture porte	Oven door gasket	Türdichtung	x	x	x
7	GAFOC00001	Porta forno	Porte du four	Oven door	Ofentür	x	x	x
8	RTFOC00008	Cristallo porta forno	Verre porte four	Oven door glass	Ofentürglas	x	x	x
9	RTFOC00007	Maaaniglia serratura	Poignée porte four	Oven door handle	Ofentürgriff	x	x	x
10	PAFOC00008	Controporta forno	Contre porte du four	Oven counter door	Gegentür	x	x	x
11	PAFOC00007	Protezione serratura porta	Protection de la serrure	Lock guard	Schloßschutz	x	x	x
12	PAFOC00039	Prolunga sinistra facciata	Rollange gauche tacade	Left facade extension	Verlängerung linke Front	x	x	x
13	PAFOC00575	Guarnizione new porta forno	Guarniture porte du four	Oven door gasket new	Dichtung Tür NEU	x	x	x
13	RTFOC00093	Guarnizione porta forno	Guarniture porte du four	Oven door gasket	Türdichtung	x	x	x
14	GAFOC00048	Cassetto	Tiroir	Drawer	Kasten	x	x	x
15	PAFOC00181	Traversa antigoccia	Traverse anti-goutte	Anti-drip crosspiece	Tropfschutzquerstange	x	x	x
16	PAFOC00038	Prolunga destra facciata	Rollange droite facade	Right facade extension	Verlängerung rechte Front	x	x	x
17	PAFOC00025	Coprilana inferiore	Panneau couvre isolant	Insulating panel cover	Isoliermaterialverkleidung	x	x	x
18	PACU800150	Pannello isolante	Panneau isolant	Insulating panel	Isolier tafel	x	x	x
19	GAFOC00040	Basamento	Soubassement	Base	Untergestell	x	x	x
20	GAFOC00032	Cruscotto	Panneau de contrôle	Control panel	Stirnbrett	x	x	x
21	RTFOC00035	Microinterruttore	Microswitch	Microswitch	Microswitch	x	x	x
22	PAFOC00023	Coprilana destro	Panneau couvre isolant	Insulating panel cover	Isoliermaterialverkleidung	x	x	x
23	RTFOC00051	Piedino	Pied	Foot	Inox-Fuß	x	x	x
24	PAFOC00035	Fianco inox	Côté inox	Inox side	Inox-Seite	x	x	x
25	GAFOC00019	Supporto ventola	Support ventilateur	Fan support	Lautradsupport	x	x	x
26	PAFOC00026	Coprilana inf. posteriore	Panneau couvre isolant	Insulating panel cover	Isoliermaterialverkleidung	x	x	x
27	PAFOC00024	Coprilana posteriore	Panneau couvre isolant	Insulating panel cover	Isoliermaterialverkleidung	x	x	x
28	PAFOC00036	Posteriore inox	Panneau postérieur inox	Inox back panel	Inox-Rückwand	x	x	x
29	PAFOC00022	Coprilana sinistro	Panneau couvre isolant	Insulating panel cover	Isoliermaterialverkleidung	x	x	x
30	PAFOC00136	Protezione comp. elettrici.	Protection composant électriques	Electrical components guard	Schutz elektrischen Komponenten	x	x	x
31	PAFOC00140	Coprilana superiore	Panneau couvre isolant	Insulating panel cover	Isoliermaterialverkleidung	x	x	x
32	GAFOC00037	Coperchio	Couvercle	Cover	Topfdeckel	x	x	x
32	GAFOC00091	Coperchio	Couvercle	Cover	Topfdeckel	x	x	
33	GAFOC00005	Serratura porta forno	Serrure porte four	Oven door lock	Ofentürschloß			x
34	RTFOC00057	Zoccolo centrale serratura	Prise centrale serrure	Central connection lock	Mittlerer Anschluß	x	x	x
35	RTFOC00005	Zoccolo esterno serratura	Prise extérieure serrure	External connection lock	Äußerer Anschluß	x	x	x
36	RTFOC00009	Gancio fisso. serratura	Crochet fixe de la serrure	Lock fixed hook	Fester Schlossnaken	x	x	x
37	RTBF800021	Gommino porta forno	Bouchon de la porte	Door rubber cap	Türgummi	x	x	x
38	RTFOC00202	Guarnizione portalampada	Garniture	Gasket	Dichtung	x	x	x
39	RTFOC00201	Vetro portalampada	Verre protège ampoule	Lamp-holden glass	Leuchtenhalterungsglass	x	x	x
40	RTFOC00037	Lampada 25W 220V	Ampoule 25W 220V	Lamp 25W 220V	Leuchte 25W 220V	x	x	x
41	RTFOC00036	Portalampada	Douille	Lamp-holder	Leuchtenhalterung	x	x	x
42	RTFOC00060	Asta posteriore scarico cond.	Antenne arrière	Rear rod	Hintere Stange	x	x	x
43	RTFOC00109	Asta trasversale scarico cond.	Antenne transversale	Traverse rod	Querstange	x	x	x

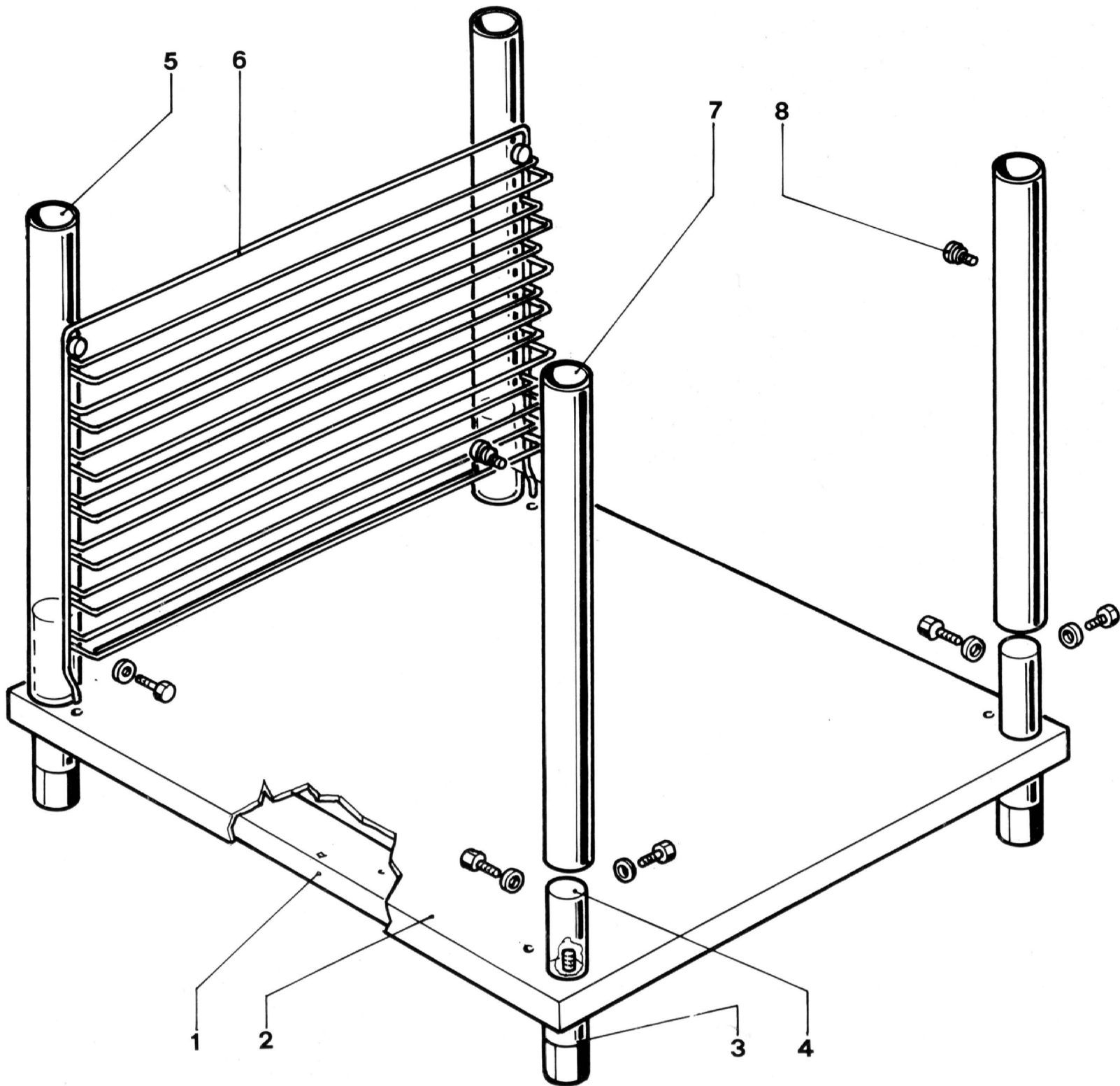
TAV.201		Struttura	Structure	Structure	Struktur	FEC060	FEO050	FEM060/061
	Codice	Denominazione	Denominaton	Denominaton	Bezeichnung			
44	RTFOC00056	Manopola scarico condensa.	Manette évacuation condens.	Moisture drain knob	Drehknopf Kondenswasserablaß	×	×	×
45	RTFOC00062	Asta anteriore scarico cond.	Antenne avant	Front rod	Vordere Stange	×	×	×
46	RTFOC00302	Anello tenuta perno motre	Rondelle de joint	Ring	Ring	×	×	×
47	RTFOC00124	Gomito scarico condensa.	Coude évacuation condensation	Moisture drain elbow	Kondenswasserblasskniestück	×	×	×
48	RTFOC00059	Asta posteriore scarico cond.	Antenne arrière	Rear rod	Hintere Stange	×	×	×
49	RTFOC00052	Rampa scarico condensa.	Rampe évacuation condensation	Moisture drain ramp	Kondenswasserblassrampe	×	×	
49	RTFOC00152	Rampa scarico condensa.	Rampe évacuation condensation	Moisture drain ramp	Kondenswasserblassrampe			×



TAV.202		Griglie e ventilazione	Grilles et ventilation	Grilles and ventilation	Gitter und Belüftung	FEC060	FEP050	FEM060/061/062
	Codice	Denominazione	Denominaton	Denominaton	Bezeichnung			
1	RTFOC00014	Griglia protezione ventilatore	Grille ventilateur	Fan grille	Ventilatorgitter	×	×	×
2	GAFOC00020	Convogliatore aria	Coiffée ventilateur air	Air duct	Luftförderer	×	×	×
3	RTFOC00018	Umidificatore	Humidificateur	Humidifier	Befeuchter	×	×	×
5	RTFOC00155	Nebulizzatore	Nébulisateur	Atomizer	Zerstäuber	×	×	×
6	RTFOC00012	Girante ventilatore	Couronne mobile ventilateur	Fan wheel	Ventilatorlau frad	×	×	×
7	RTFOC00019	Iniettore umidificatore	Injecteur humidificateur	Injector for humidifier	Einspritzer für Befencter	×	×	×
8	RTC0800183	Bicono Ø 6	Bicone pour tube Ø 6	Bicone for pipe Ø 6	Zweikegel Ø 6	×	×	×
9	RTFOC00020	Calotta per tubo Ø 6	Ecron pour tube Ø 6	Nut for pipe Ø 6	Mutter für Schlauch Ø 6	×	×	×
10	RTFOC00021	Tubo alimentazione umidificatore	Tube alimentation	Feeding pipe	Versorgungsrohr	×	×	×
11	RTMIN00221	Fascetta Ø 14-22	Collier Ø 14-22	Clamp Ø 14-22	Windel Ø 14-22	×	×	×
12	RTFOC00203	Elettrovalvola 2 vie	Electrovanne 2 voies	Solenoid valve 2 ways	E-Ventil	×	×	×
13	RTFOC00013	Resistenza elettr. 9kW 230V	Resistance elec. 9000W 240V	Over heating elect. 9000W 240V	Elektr. Widerstand 9000W 240V	×	×	×
14	RTFOC00011	Motore elettrico	Moteur électrique	Electric motor	E-Motor	×	×	×
15	RTFOC00015	Griglia laterale sinistra	Grille latérale gauche	Left lateral grate	Linker Seitenrost	×	×	×
15	RTFOC00177	Griglia laterale sinistra (FEM060)	Grille latérale gauche (FEM060)	Left lateral grate (FEM060)	Linker Seitenrost (FEM060)	×		
15	RTFOC00180	Griglia laterale sinistra (FEM061)	Grille latérale gauche (FEM061)	Left lateral grate (FEM061)	Linker Seitenrost (FEM061)			×
16	RTFOC00017	Griglia forno	Grille du four	Oven grate	Ofenrost			×
16	RTFOC00175	Griglia forno	Grille du four	Oven grate	Ofenrost	×		
17	RTFOC00016	Griglia laterale destra	Grille latéral droite	Right lateral grate	Rechter Seitenrost			×
17	RTFOC000176	Griglia laterale destra	Grille latéral droite	Right lateral grate	Rechter Seitenrost	×		
18	RTFOC00081	Griglia laterale sinistra	Grille latéral gauche	Left lateral grate	Linker Seitenrost			×
19	RTFOC00083	Griglia forno	Grille du four	Oven grate	Ofenrost		×	
20	RTFOC00082	Griglia laterale destra	Grille latéral droite	Right lateral grate	Rechter Seitenrost		×	
21	RTFOC00275	Termostato elettrico	Thermostat	Thermostat	Thermostat		×	
22	PACP800062	Squadretta portatermostato	Eguerre de fixation thermostat	Bracket to fix thermostat	Winkel	×	×	×
23	RTFOC00120	Regolatore elettrovalvola Ø 0,25	Regolateur electrovanne Ø 0,25	Solenoid valve regulator Ø 0,25	E-Ventil Regler Ø 0,25	×	×	×
24	MPGOM10T00	Tubo gomma Ø 10x17	Tuyau Ø 10x17	Pipe Ø 10x17	Rohr Ø 10x17	×	×	×



TAV.203		Apparecchiature elettriche	Appareillages électriques	Electrical equipment	Elektrogeräte	FEC060	FEP050	FEC100	FEP080
	Codice	Denominazione	Denominaton	Denominaton	Bezeichnung				
1	RTFOC00055	Manopola comando	Manette de commande	Control knob	Steuerdrehknopf	x	x	x	x
2	RTCU800066	Regolatore d'energia FCV 240V	Régulateur d'énergie	Power regulator	Energie Regler	x	x	x	x
3	RTCU900072	Lampada spia gialla	Lampe témoin jaune	Yellow warning lamp	Gelbe Kontrolleuchtenbirne	x	x	x	x
4	RTFOC00031	Commutatore	Commutateur du four	Oven commutator	Kommutator	x	x	x	x
5	RTFOC00030	Timer	Timer	Timer	Timer	x	x	x	x
6	RTFOC00029	Termostato elettronica	Thermostat électronique	Electronic thermostat	Elektra-Thermostat	x	x	x	x
7	RTFOC00033	Pulsante 2 velocità	Bouton 2 vitesses	Two-speed button	Taste zwei geschwind	x	x	x	x
8	RTFOC00032	Pulsante luce	Bouton lumière	Light button	Lichttaste	x	x	x	x
9	RTFOC00038	Termostato Limit	Thermostat Limit	Limit thermostat	Limit Thermostat	x	x	x	x
10	RTFOC00053	Condensatore	Condensateur	Condenser	Kondensator	x	x	x	x
11	RTFOC00048	Portafusibile	Porte-fusible	Fuse-holder	Sicherungshalter	x	x	x	x
12	RTFOC00042	Ciclatore 50 Hz	Cycleur 50Hz	Buzzer 50 Hz	Taktvorrichtung 50 Hz	x	x	x	x
13	RTFOC00039	Trasformatore 220/12V	Transformateur el. 220/12V	Electric transformer 220/12V	Transformator 220/12V	x	x	x	x
14	RTFOC00034	Termocoppia 100cm	Thermocouple 100cm	Thermocouple 100cm	Thermoelement 100cm	x	x	x	x
15	RTFOC00046	Ronzatore	Bourdonneur	Buzzer	Summer	x	x	x	x
16	PAFOC00029	Supporto componenti elettrici	Support composants électriques	Electrical components support	Halterung elektr. Kompon.	x	x	x	x
17	RTFOC00049	Relais FCV	Relais FCV	Relais FCV	Relais FCV	x	x	x	x
18	RTFOC00041	Contatti ausilari	Contacts auxiliaires	Auxiliary contacts	Nebenkontakte	x	x	x	x
19	RTFOC00044	Termica 0,8A	Interrupteur thermique 0,8A	Overload switch 0,8A	Thermoschutzschalter 0,8A	x	x		
19	RTFOC00129	Termica 0,6A	Interrupteur thermique 0,6A	Overload switch 0,6A	Thermoschutzschalter 0,6A			x	x
20	RTFOC00045	Termica 3A	Interrupteur thermique 3A	Overload switch 3A	Thermoschutzschalter 3A	x	x		
20	RTFOC00074	Termica 1,6A	Interrupteur thermique 1,6A	Overload switch 1,6A	Thermoschutzschalter 1,6A			x	x
21	RTFOC00130	Sonda al cuore 55cm	Sonde thermique 55cm	Thermic probe 55cm	Wärmefühler 55cm	x	x		
21	RTFOC00131	Sonda al cuore 82cm	Sonde thermique 82cm	Thermic probe 82cm	Wärmefühler 82cm			x	x
22	RTBF900045	Morsettiera 6 poli	Groupe de conn. des cables	Terminal bloc 6 poles	Klemmbrett 6 polig	x	x	x	x
23	RTFOC00023	Andisturbo radio	Antiparasitage radio	Antijamming	Funkentstörung	x	x	x	x
24	RTFOC00024	Fusibile FCV 2,5A	Fusible 2,5A	Fuse 2,5A	Schmelzsicherung2,5A	x	x	x	x
25	RTFOC00047	Fusibile 0,1A	Fusible 0,1A	Fuse 0,1A	Schmelzsicherung 0,1A	x	x	x	x





<b>TAV.204</b>		<b>Supporto forno</b>	<b>Support du four</b>	<b>Oven support</b>	<b>Ofenhalterung</b>	
	Codice	Denominazione	Denominaton	Denominaton	Bezeichnung	
1	GAFOC00077	Basamento supporto forno	Soubassement du support	Oven support base	Untergestell	×
2	PAFOC00133	Ripiano supporto forno	Fonde support du four	Oven support bottom	Boden	×
3	RTFOC00119	Piedino	Pied	Foot	Inox-Fuß	×
4	RTFOC00121	Rinforzo gamba	Rentort jambe	Leg bracing	Verstärkung	×
5	PAFOC00134	Gamba sinistra	Jambe gauche	Left leg	Linker Fuß	×
6	RTFOC00122	Griglia laterale	Grille latérale	Lateral grate	Seitenrost	×
7	PAFOC00135	Gamba destra	Jambe droite	Right leg	Rechter Fuß	×
8	RTBF700043	Attacco griglia	Attaque grille	Grate connection	Seitenanschluß	×