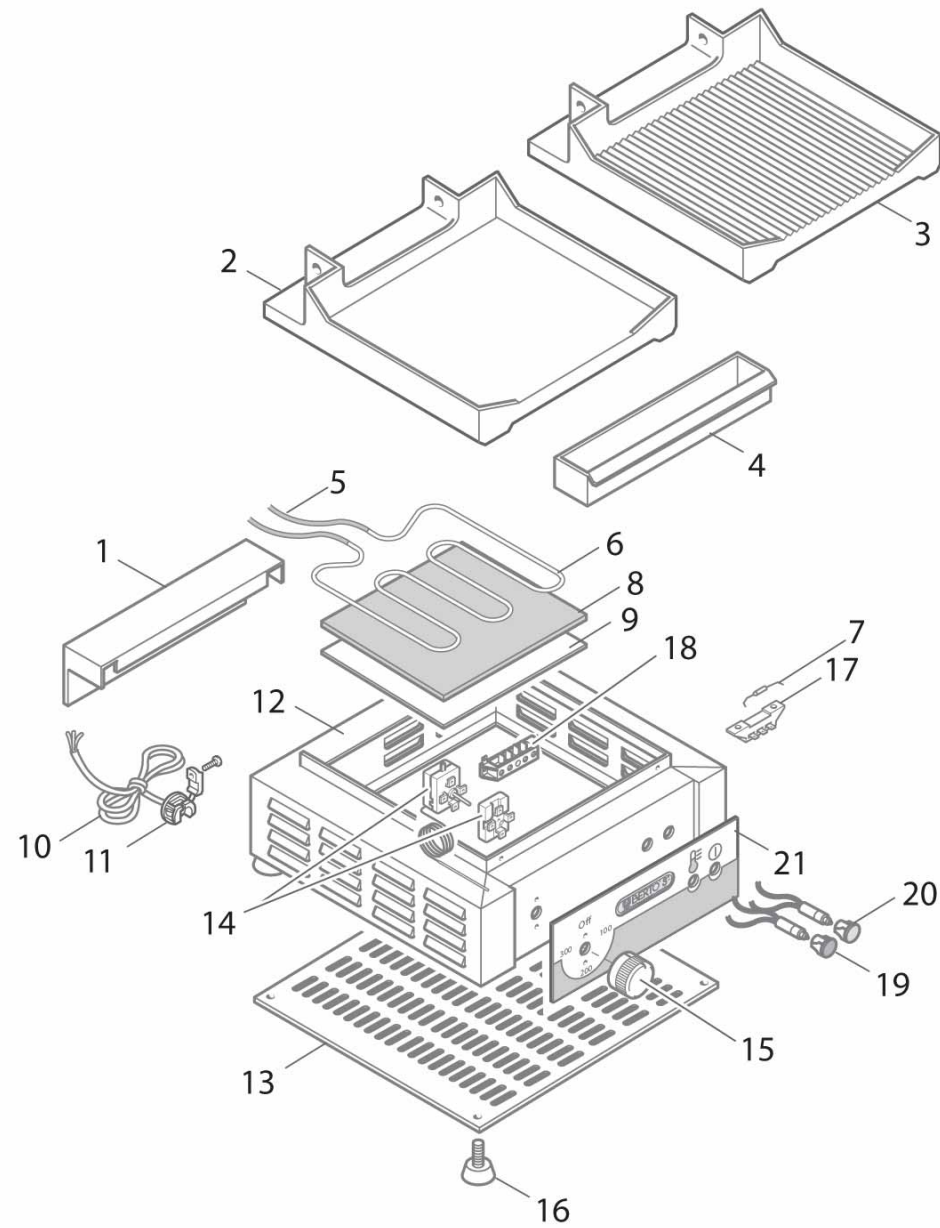




PST/R





PST/R

Pos. Item	Codice Code	Descrizione	Item Description	Designation articles	Artikelbeschreibung	Decripción artículos	N° pezzi - No. pieces					
											PST/R	
1	30791100	Carter pst/ld	Ca. pst/ld	Ca. pst/ld	Ge. pst/ld	Ca. pst/ld						1
2	30841400	Fusione inferiore psr/ld	Lower ribbed cast iron plate	Plaque inf. en fonte rainurÉE	Geriefetes unteres gussstÜck	Placa inf. est. en hierro fundido						1
3	30841600	Fusione inferiore ps/ld	Lower smooth cast iron plate	Plaque inf. en fonte lisse	Glattes unteres gussstÜck	Placa inf. lisa en hierro fundido						-
4	30791800	Ass.cassetto raccogliughi ps	Drip tray ps	Bac recueille-sauces ps	Sossen-auffangschale ps	Casson-cattogughi ps						1
5	30193400	Tu. vetrotex d.5 l.250 mm	Glass tube	Tube verre	Isolierend kleines rohr fuer	Tubo vidrio						1
6	30023500	Res.inf.comp.1000w-230v ps/p	1000w-230v-230v-ps/p	Resistance 1000w-230v ps/p	Un. heizkoerper 1000 w 230v	Resistencia 1000w-230v ps/p						1
7	30978100	Termofusibile 152°c - 15a	Thermofuse 152°c - 15a	Thermofusible 152°c - 15a	Thermoschmelzdraht 152°c - 15a	Termofusibile 152°c - 15a						1
8	30921800	Qua. isomart ps/pd-pm/vtr 210x170x4	Isomart panel 210x170x4	Tableau isomart 210x170x4	Isoli. trenner 210x170x4	Panel isomart 210x170x4						1
9	30868800	Lastra protez. ferro piccola	Single protective sheet	Plaque de protection simple	Einzelne schutzplatte	Placa de proteccion individual						1
10	30192400	Cavo 3x1.5 ps/pm	Power su. cable 3 x 1,5mm	Cable d'alim. 3 x 1,5mm	Versorg. 3 x 1,5mm	Cable de alime. 3x1,5 mm.						1
11	30186500	Passacavo (6k 100 bs)	Cable guide	Passe-cÂble	KabelfÜhrung	Aislador pasapanel 6k 100 bs						1
12	30863600	ass. involucro base ps/ld-st-	Base enc. ps/ld-st-	Couv. base ps/ld-st-	HÜlle basis ps/ld-st-	Envh. base ps/ld-st-						1
13	30837900	Fondo ps/ld-st-sx	Bo. ps/ld-st-sx	Fond ps/ld-st-sx	Fond ps/ld-st-sx	Fondo ps/ld-st-sx	fondo ps/ld-st-sx					1
14	30064600	Termostato 270°c. + commutatore	270°c thermostat + cycle selector	Ther. 270°c + commutateur de cycle	Ther. 270°c + umschalter zyklus	Termostato 270°c + conmutador						1
15	35876200	Manopola rossa p. 6x4.6 a o°	Red knob 6x4.6 o° c	Manette rouge 6x4.6 o° c	Drehknopf 6x4.6 o° c	Mando rojo 6x4.6 o° c						1
15	35877200	Man. rossa p. 6x4.6 a o° ral3000	Red knob p. 6x4.6 a o° ral3000	Ma. rouge p. 6x4.6 a o° ral3000	Drehknopf p. 6x4.6 a o° ral3000	Mando rojo p. 6x4.6 a o° ral3000						1
16	30684100	Piedi. d.30xm8condado basso h.6mm	Foot h.6mm	Pied h.6mm	Fuss h.6mm	Pata h.6mm						4
17	30184800	Morsettiera laterale fv 77/3	Lateral terminal board fv 77/3	Bornier latÉral fv 77/3	Sei. klemmenleiste fv 77/3	Bornera lateral fv 77/3						1
18	30183800	Morsettiera a 3 poli fv 110 b	Terminal board 3 poles	Bornier 3 poles	Klemmenleiste	Bornera 3 polos						1
19	30168500	Spia arancio 230v d.10mmt150Ø	Orange lamp 230v	Temoin lumineux orange 230v	Orange kontrollampe 230v	Piloto naranja 230v						1
20	30168800	Spia verde 230v d.10mmt150Ø	Green lamp 230v	Temoin lumineux vert 230v	Grune kontrollampe 230v	Piloto verde 230v						1
21	30899700	Pannello piastra sing. bertos	Berto's adhesive panel	Panneau adhÉsif berto's	Haftendes paneel berto's	Panel adhesivo berto's						1