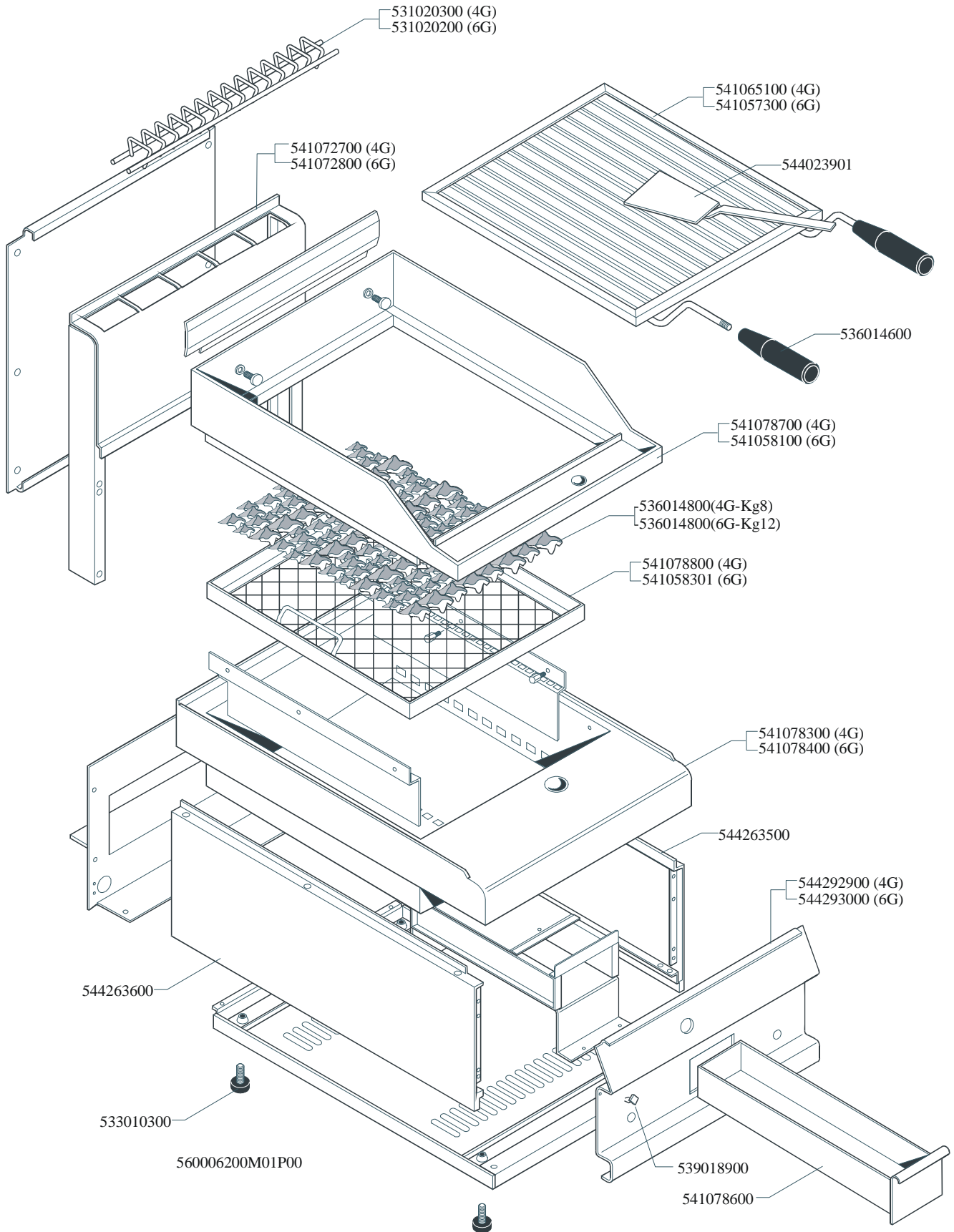


MAGIC PROF 65
GAS / GAS / GAS / GAZ

CW-4G CW-6G

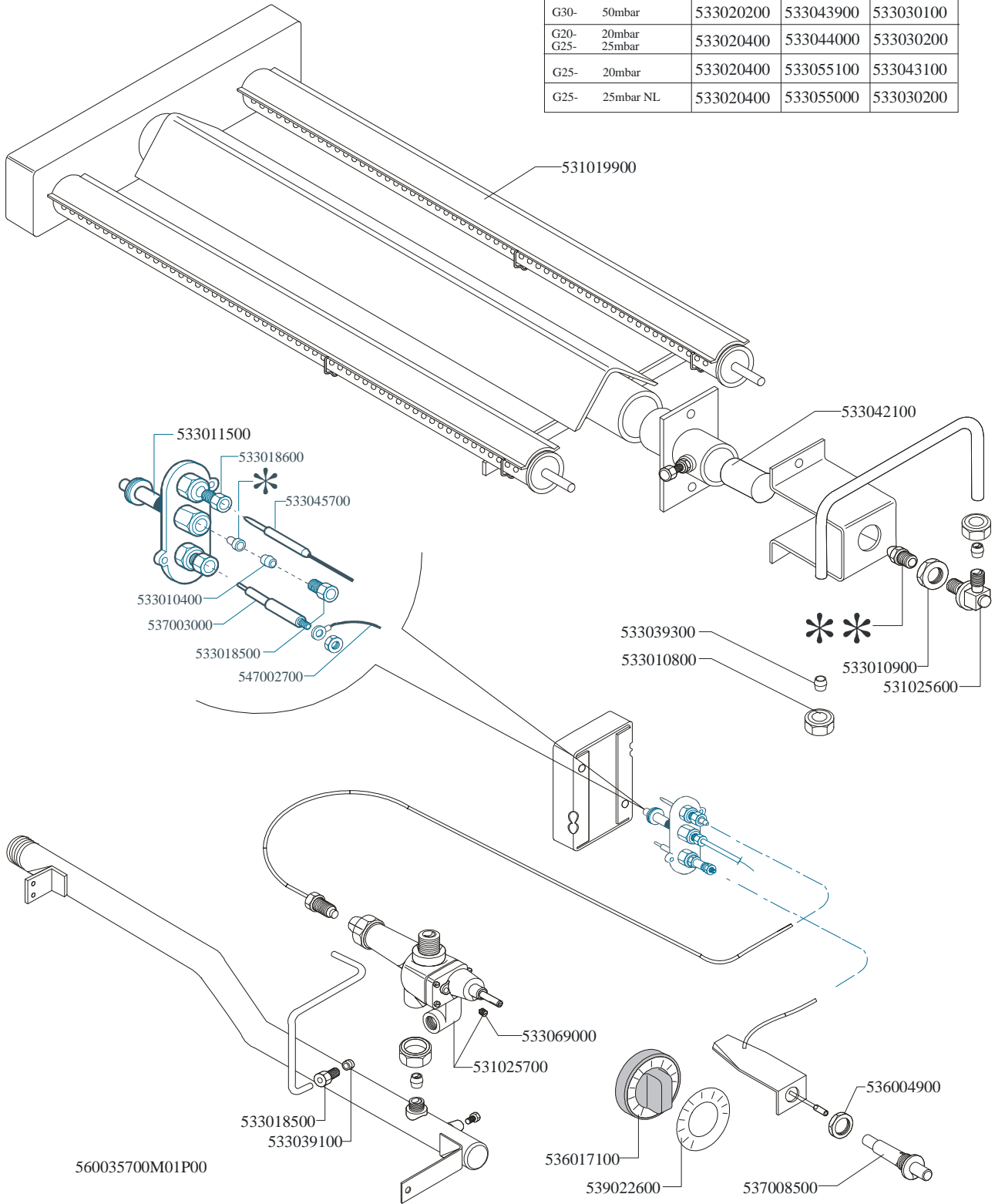


MAGIC PROF 65

GAS / GAS / GAS / GAZ

CW-4G CW-6G

	*	CW-4G **	CW-6G **
G30- 28+30mbar G31- 37mbar	533020200	533043800	533043200
G30- 50mbar	533020200	533043900	533030100
G20- 20mbar G25- 25mbar	533020400	533044000	533030200
G25- 20mbar	533020400	533055100	533043100
G25- 25mbar NL	533020400	533055000	533030200



Page	Pos	Code	Description
001		531020200	FLUE GRID 300"S65"
001		541057300	GRID CW
001		541072800	PERFORATED SPACER 6
001		544023901	SPATTLE FOR FRY-TOP
001		536014600	GRIP D.28*90*M10 CW
001		541058100	SPLASH SHIELD CW-62G
001		536014800	LAVASTONE
001		541058301	STONE SUPPORTING FRAME CW-62G
001		541078400	UPPER PLATE CW-6G
001		544263500	RIGHT SIDE S.65
001		544293000	CONTROL PANEL CW-6G
001		544263600	LEFT SIDE S.65
001		539018900	INDEX FOR KNOB
001		533010300	ADJUSTABLE FOOT M10*20 D.23
001		541078600	DRIP TRAY CW-G
002		533020200	PILOT JETS 0160 FOR LPG §30
002		533043200	NOZZLE §110 G30 (LPG) CH12X14
002		533030100	NOZZLE §95 CH12*14 G-FP
002		533020400	NOZZLE 0160 (NATURAL GAS) 51
002		533030200	NOZZLE §170 CH12*14 MH-FG L-FP/CW
002		533043100	NOZZLE §185 G25 CH12X14
002		531019900	BURNER CW-G 60-65-70 LINES
002		533042100	AIR ADJUSTMENT BUSHING CW-G
002		533011500	PILOT BURNER 2 FLAMES 220
002		533018600	PLUG FITTING
002		533045700	THERMOCOUPLE M9*1 500
002		533039300	BICONE §10
002		533010400	BICONE D.6
002		537003000	PLUG M4 - LONG ELECTRODE
002		533069000	BY PASS COCK §70 20S-21S
002		533018500	FITTING FOR BICONE D.6 M10*1
002		547002700	HIGH-VOLTAGE CABLE L=500
002		531025600	ELBOW 90° NOZZLE-HOLDER §10 PIPE
002		533010800	TUBE NUT D.10 M16*1,5
002		533010900	NUT M14*1 H.4
002		531025700	SAFETY TAP 21S-B PEL21S22070
002		536004900	NUT M22 FOR PIEZOELECTRIC IGNITION
002		533039100	BICONE §6
002		536017100	BLACK KNOB §70 PIN §8*6,5
002		539022600	GRADUATED STICKER FOR KNOB
002		537008500	PIEZOELECTRIC IGNITION M22 CW-60/65