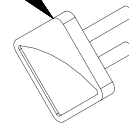
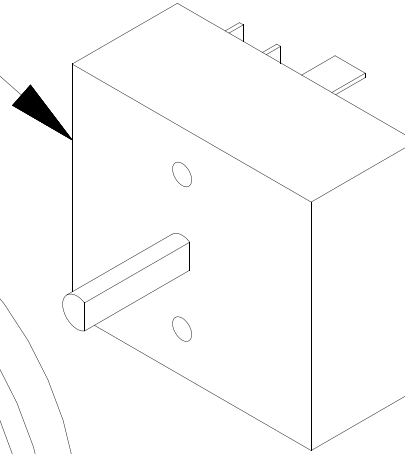


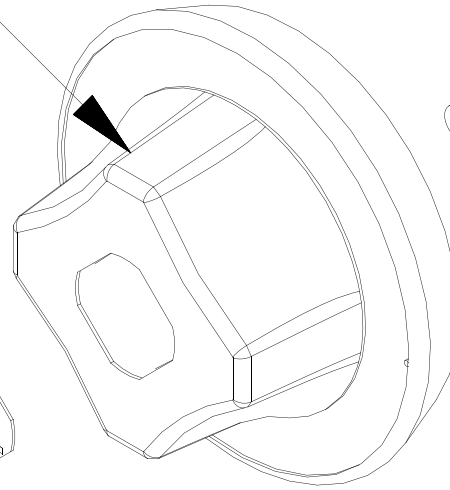
539018900



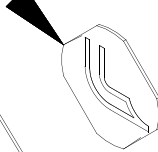
537013300



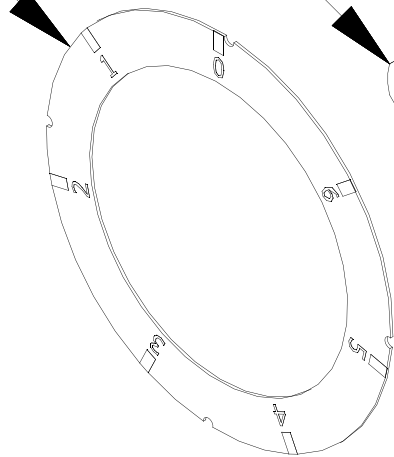
536034400



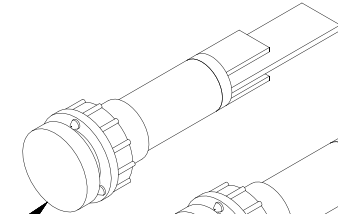
539054200



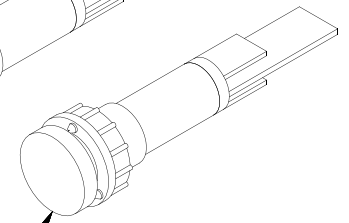
539060300



537014200

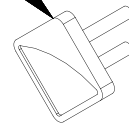


537014100

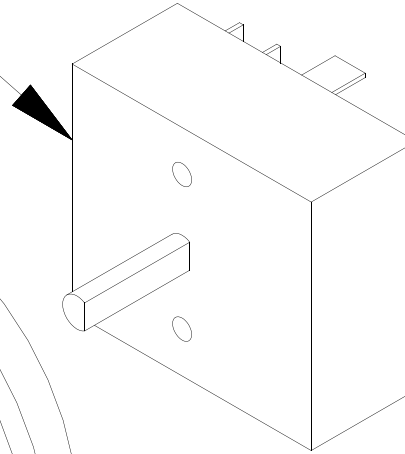


560110400M00P00

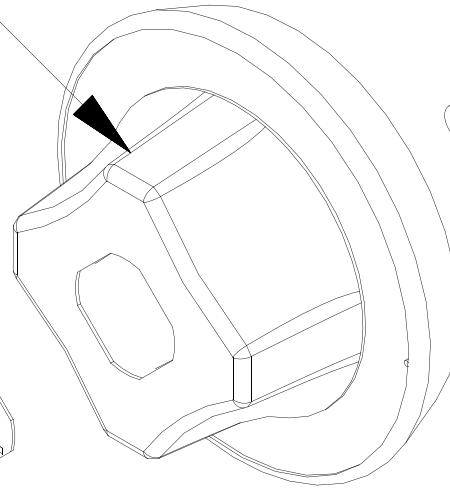
539018900



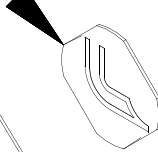
537013300



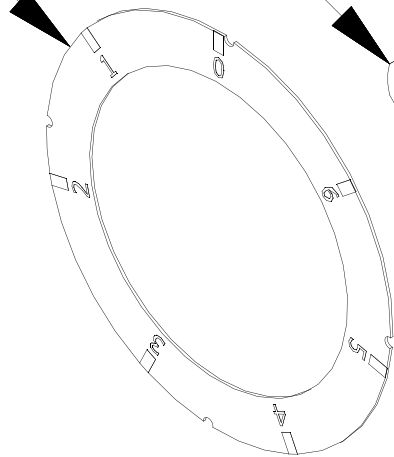
536034400



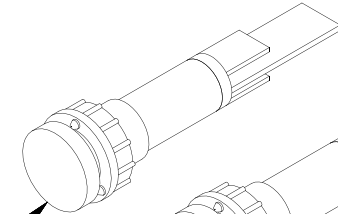
539054200



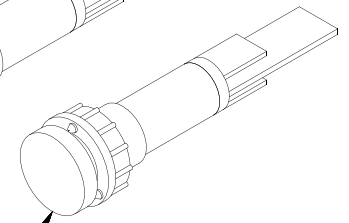
539060300



537014200



537014100



560110400M00P00

Page	Pos	Code	Description
001		541294000	COMPLETE HEAT.ELEMENT CWK78ET 8160W
001		541294001	ASS.RES.CWK-78 8160W 400V C/S2Z
001		536038700	GUARNIZIONE RESISTENZA CWK
001		533148700	IMPUGNATURA CWK
001		541134200	NEUTRAL LOW SPACER 78
001		544739600	
001		531042800	SEMISPHERE FILTER
001		541283501	ASS.PIANO S70 CWK-78ET
001		533010100	3/4 D. 18 PIPE UNION
001		533010200	BICONE 18S
001		531000100	DRAIN COCK 3/4"
001		544173500	LEFT SIDE PANEL S.70
001		533009600	DRAIN COCK HANDLE
001		536000300	FIXED GRIP D.15*25*M6
001		537027400	TERMINAL BLOCK THREEPHASE 40A
001		537010100	REMOTE CONTROL SWITCH 20A 230V
001		541268400	ASS.CRUSC.S607090 CWK-68E
001		541196801	ASS.CRUSC.S607090 CWK-98E
001		544120300	DRAIN PIPE 22 FOR COCK 3/4"G
001		544173400	RIGHT SIDE PANEL S.70
001		536005200	INOX LEG 2" 120-180 M10
002		539018900	INDEX FOR KNOB W/RED SIGN
002		537013300	CURRENT REGULATOR FOR ELEC. PLATE
002		536034400	KNOB §77 4P. §06*4,6 C/M
002		539054200	STAMP Ø20,5 CR."L" LOTUS R.
002		539060300	RED ADESIVE DISK FOR PCC/PCI-E
002		537014200	GREEN WARNING LIGHT 250V
002		537014100	WHITE WARNING LIGHT 250V