

Ref.	Description	Refrigerant	A/W	Tension	Code
1	Foamed cabinet assy				C11009
2	Sprayers feeding pipe				13005
3	Pump suction filter				20005
4	Sprayers bar assembly				C20058
5	Sprayers bar plug				10012
6	Sprayer				D20002
7	Evaporator basin assembly				C10257
8	Overflow tube assembly				C10133
9	Plastic nipple water outlet				10007
10	Rear grid				D12015
11	Discharges manifold		A		C10006
11	Discharges manifold		W		C26452
12	Inlet watervalue 1 way		A	1-2	23001
12	Inlet watervalue 1 way		A	3	23260
12	Inlet watervalue 2 ways		W	1-2	23010
12	Inlet watervalue 2 ways		W	3	23261
13	Ice cubes slide				D12017
14	Back panel assembly				C22132
15	Evaporator cover				10039
16	Top assy				C22673
17	Flags support assy				C22059
18	Door assembly				C10275
19	Bulbe thermostat tube				20520
20	Front grid panel				22509
21	Grid+frame				C10205
22	Filtering panel				18106
23	Foot h.100 mm				10040
24	Suction impeller				10213
25	Hub+washer+screw				10014
26	Pump			1-2	23002
26	Pump			3	23264
27	Pump delivery pipe				13016
28	Pump suction pipe				13015
30	Overflow pipe				13109

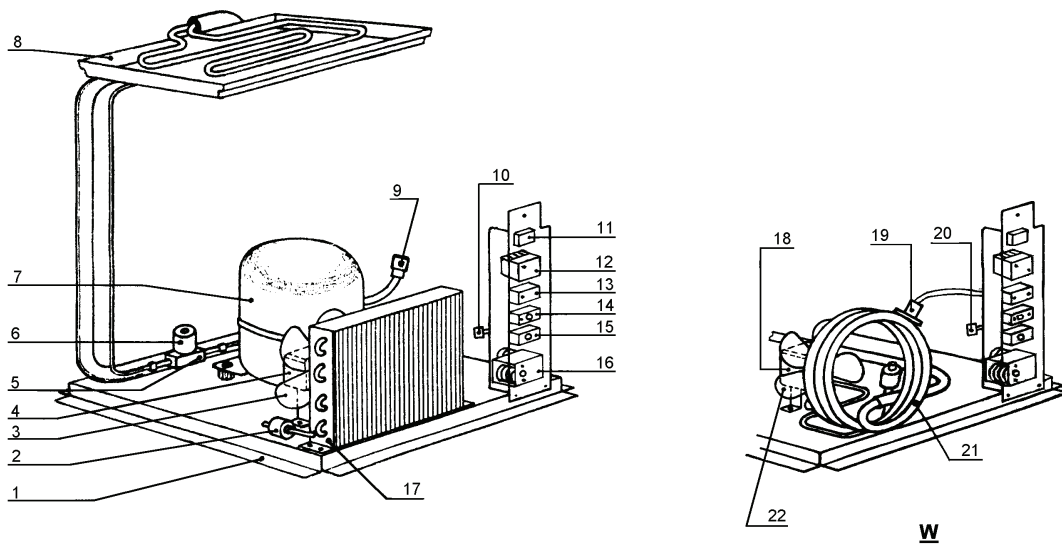
Note: Code 22509 for model with switch on - off (green). For model without switch on - off (green) Code 22049.

Code C10133 from serial no. 62740. Previous serial no. code 13017.

Code 13109 from serial no. 62740. Previous serial no. code 13017.

Code 20520 from serial no. 94415. Previous serial no. code 20008.

COOLING SYSTEM ASSEMBLY Mod. CB640 A/W - Cube A (Cod. 24103)



Ref.	Description	Refrigerant	A/W	Tension	Code
1	Base plate				C21036
2	Solid core drier				14089
3	Suction fan 254/34		A	1-2-3	20031
4	Lower fan motor		A	1	23067
4	Lower fan motor		A	2	23580
4	Fan motor		A	3	23393
5	Hot gas valve body				20410
6	Hot gas coil			1-2	23091
6	Hot gas coil			3	23256
7	Compressor	R404A		1	23505
7	Compressor	R404A		2	23578
7	Compressor	R404A		3	23579
7	Compressor	R22		1	23292
7	Compressor	R22		2	23347
7	Compressor	R22		3	23371
8	Evaporator				D10047
9	Vacuum-charge valve device				14005
9	Vacuum-charge valve plug				14006
9	Vacuum-charge valve body				14007
10	Anti radio interference filter		A	1	23459
11	Green light switch			1-2	23327
12	Contacteur	R22		3	23390
13	Condenser pressure switch				23175
14	Bin thermostat				23005
15	Evaporator thermostat				23591
16	Timer			1	23222
16	Timer			2	23248
16	Timer			3	23259
17	Air condenser		A		20175
18	Fan motor		W	1-2	23029
18	Fan motor		W	3	23265
19	Safety thermostat		W		C23114
20	Anti radio interference filter		W	1	23457
21	Water condenser		W		14034
22	Suction impeller		W		10213

Note: Code 23222 from September 1992. Before Code 23003.
 Code 20096 for tension 2 from serial no. 14051. Previous serial no. Code 20052.
 Code 14034 from serial no. 28568. Previous serial no. Code 20052.

Erklärung zu Ersatzteillisten in den Spalten Tension-Spannung

1	Spannung	220-240V	50Hz
2	Spannung	220-230V	60Hz
3	Spannung	110 115V	60Hz
4	Spannung	230V3P	50Hz
5	Spannung	400V	50Hz
6	Spannung	220-230V3P	60Hz
7	Spannung	440-460V3P	60Hz