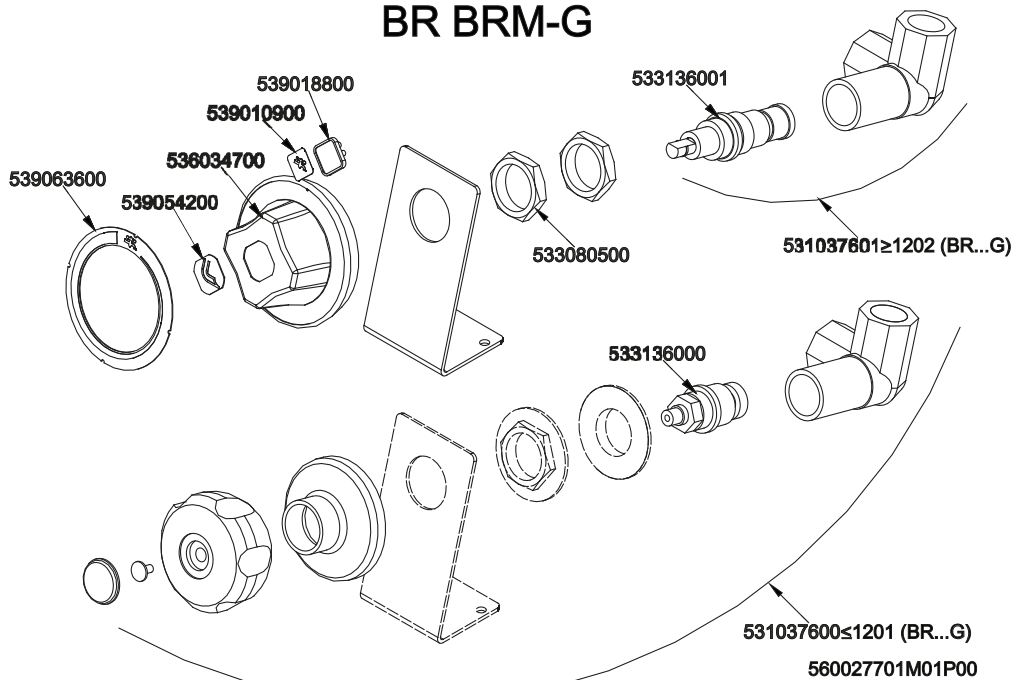
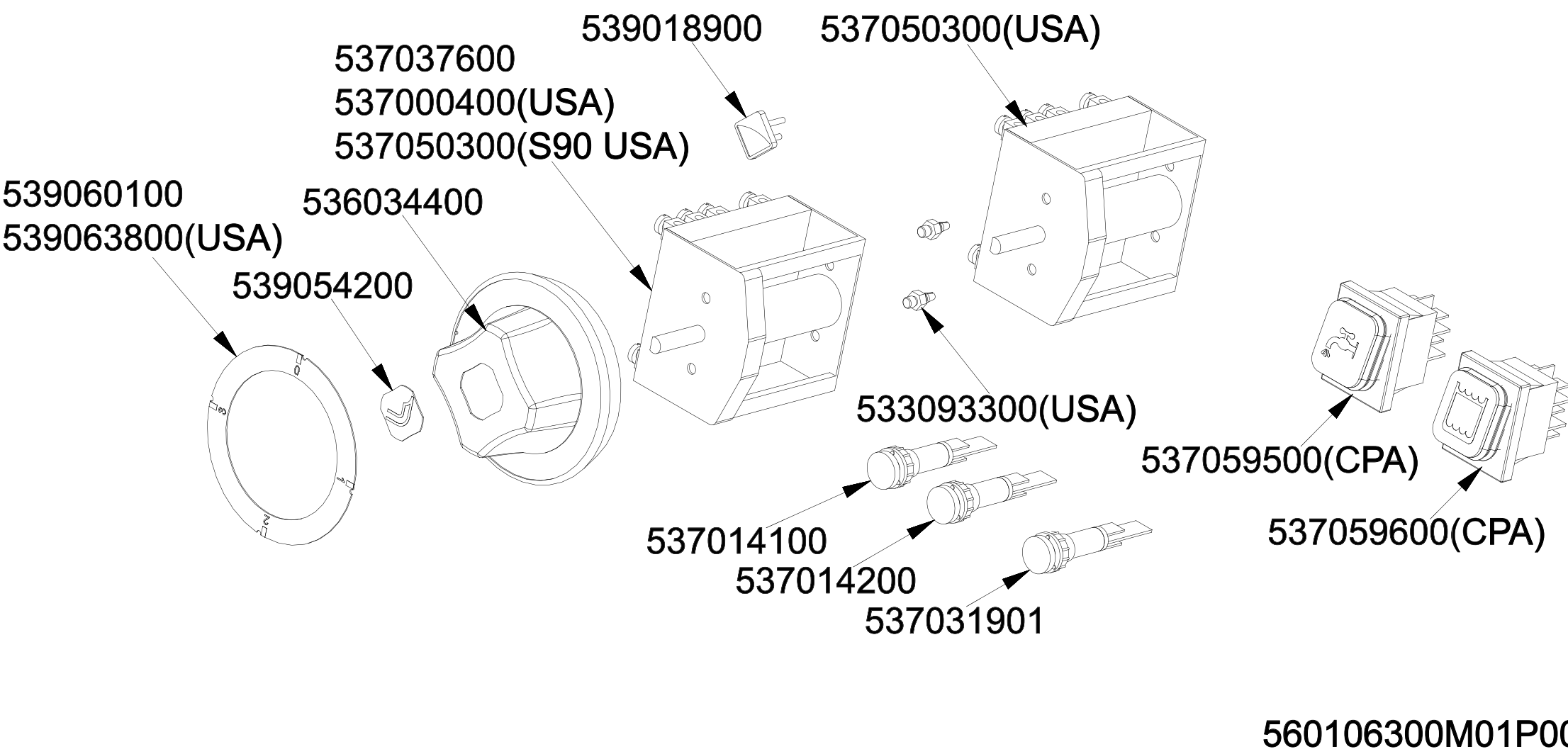


### BR BRM-G





Page	Pos	Code	Description
001		541134100	LOW SPACER 74 1 GRID
001		541136900	LOW SPACER 76 1 GRID
001		532004100	FLUE GRID L=370 90LINE (RAF
001		531064600	GRID FOR BASKET SUPPORT * CPT-64/74
001		531064700	GRID FOR BASKET SUPPORT * CPT-66/76
001		541065600	DRAIN FILTER CP-E 65
001		541158401	ASS.PIANO S70 CPT-74E
001		541158501	ASS.PIANO S70 CPT-76E
001		533010100	3/4 D. 18 PIPE UNION
001		533010200	BICONE 18S
001		531000100	DRAIN COCK 3/4"
001		537035901	HEATING EL. CPT-64E 5000W 230V3
001		537036401	HEATING EL. CPT-66E 7500W 230V3
001		533009600	DRAIN COCK HANDLE
001		536000300	FIXED GRIP D.15*25*M6
001		544385600	LEFT SIDE OF 70T LINE
001		537036500	TERMINAL BLOCK 4POLES 40A SCREW-SCR
001		537027400	TERMINAL BLOCK THREEPHASE 40A
001		537010100	REMOTE CONTROL SWITCH 20A 230V
001		537062800	CENTR.SENS.ACQUA E RAB.CP 230V
001		541188802	ASS.CRUSC.S607090 CPT-64ET
001		541188901	ASS.CRUSC.S607090 CPT-66ET
001		544120300	DRAIN PIPE 22 FOR COCK 3/4"G
001		544385500	RIGHT SIDE OF 70T LINE
001		533010500	LEG M10*25 D.40
002		533010800	TUBE NUT D.10 M16*1,5
002		533155600	PERNO PER SENSORE ACQUA
002		536039100	GUIDA PER SENSORE ACQUA
002		536039000	GUARNIZ.O-RING 12,42X1,78 SILIC.
002		536039200	DISTANZIALE PER SENSORE ACQUA
002		533039300	BICONE §10
002		533159400	RACC.UN.2 U.ELETTROV.ACQUA CP
002		533144500	FITTING FOR WATER INPUT 3/4G
002		531037500	RACCORD CA.H2O 1/2G CAN.D10
002		533144900	MALE FITTING WATER INLET M16X1,5
002		533048700	NUT 1/2G ZN
002		533048800	GASKET §30*§21*2 FIBRE
002		533147000	BICONE FITTING 3/4G ZN
002		533009500	NIPPLE FOR BICONE 10S
002		533024400	HEXAGONAL NUT 1/2G TUBE D.10
002		537062900	ELETTROV.A.3/4GM-2Ø10JG 230V RPV
002		537063800	COIL ELECTROV.G.1/2GF 230V
002		533065700	FITTING FOR WATER INPUT 1/2G
002		533148100	RACC.A GOM.90° 1/2G F.M16X1,5M. (S
002		537063000	ELETTROV.G.1/2GF-1/2GF 230V
002		539010900	ADHESIVE LABEL FOR DRAIN COCK
002		533136001	SCREW TAP WATER LOAD FOR CP S70/90
002		539012000	ADHESIVE LABEL FOR DRAIN COCK USA
002		539018800	BLANK INDEX FOR KNOB
002		539063600	ADHESIVE DISK 72 FOR DRAIN COCK
002		539063700	ADHESIVE DISK 72 FOR DRAIN COCK USA

Page	Pos	Code	Description
002		536034700	KNOB §77 4P. §08*6,5 F§30
002		539054200	STAMP Ø20,5 CR."L" LOTUS R.
002		531037601	TAP FOR WATER 90°DX CP
002		533136000	SCREW TAP WATER LOAD FOR CP S70/90
002		531037600	TAP FOR WATER LOADING 1/2"GF CP 90
003		537050300	COMMUTAT.4POS.3PHASE 43 32A CP UL
003		539018900	INDEX FOR KNOB W/RED SIGN
003		537037600	COMMUTATOR 4 POS.3PHASE S.43 32A
003		537000400	COMMUTATOR 1POS.SINGLEPHASE S49 16A
003		539060100	RED ADESIVE DISK FOR CPT-ET
003		536034400	KNOB §77 4P. §06*4,6 C/M
003		539063800	ADHESIVE DISK 72 4 P.DRAIN COCK USA
003		539054200	STAMP Ø20,5 CR."L" LOTUS R.
003		533093300	LOCKING PIN SWITCH S.43 THERMOST
003		537014100	WHITE WARNING LIGHT 250V
003		537014200	GREEN WARNING LIGHT 250V
003		537031901	RED WARNING LIGHT PCI 12V E FASTON