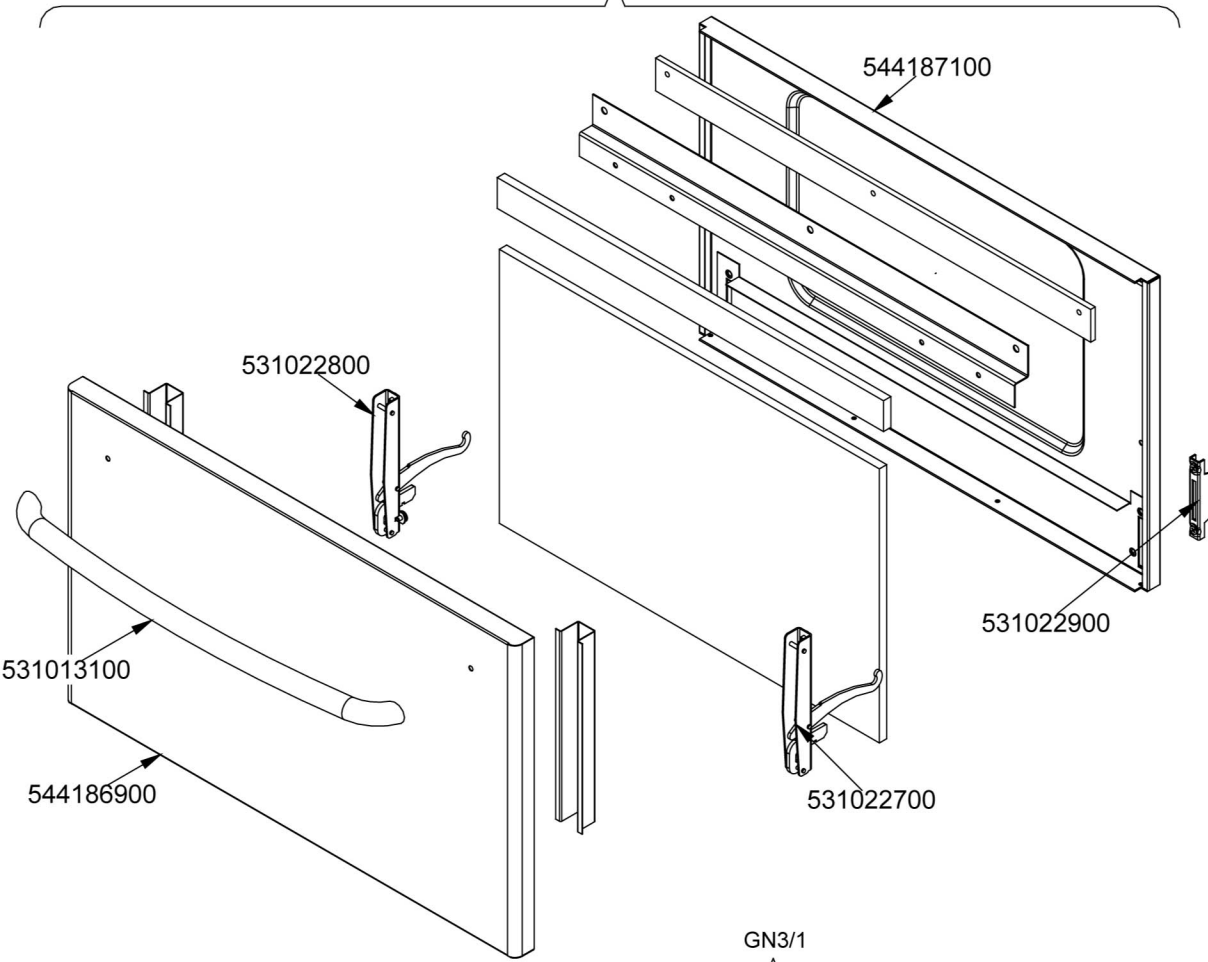
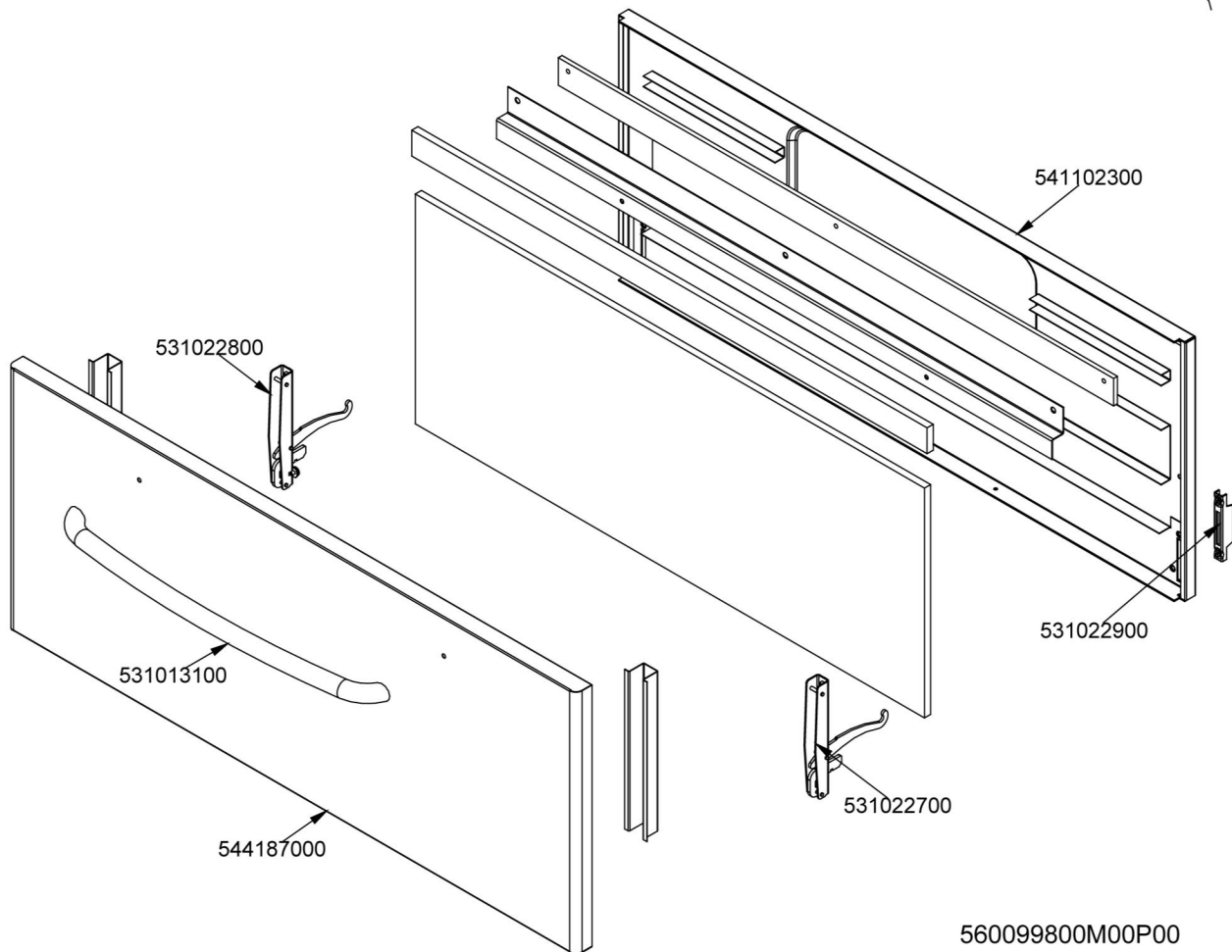


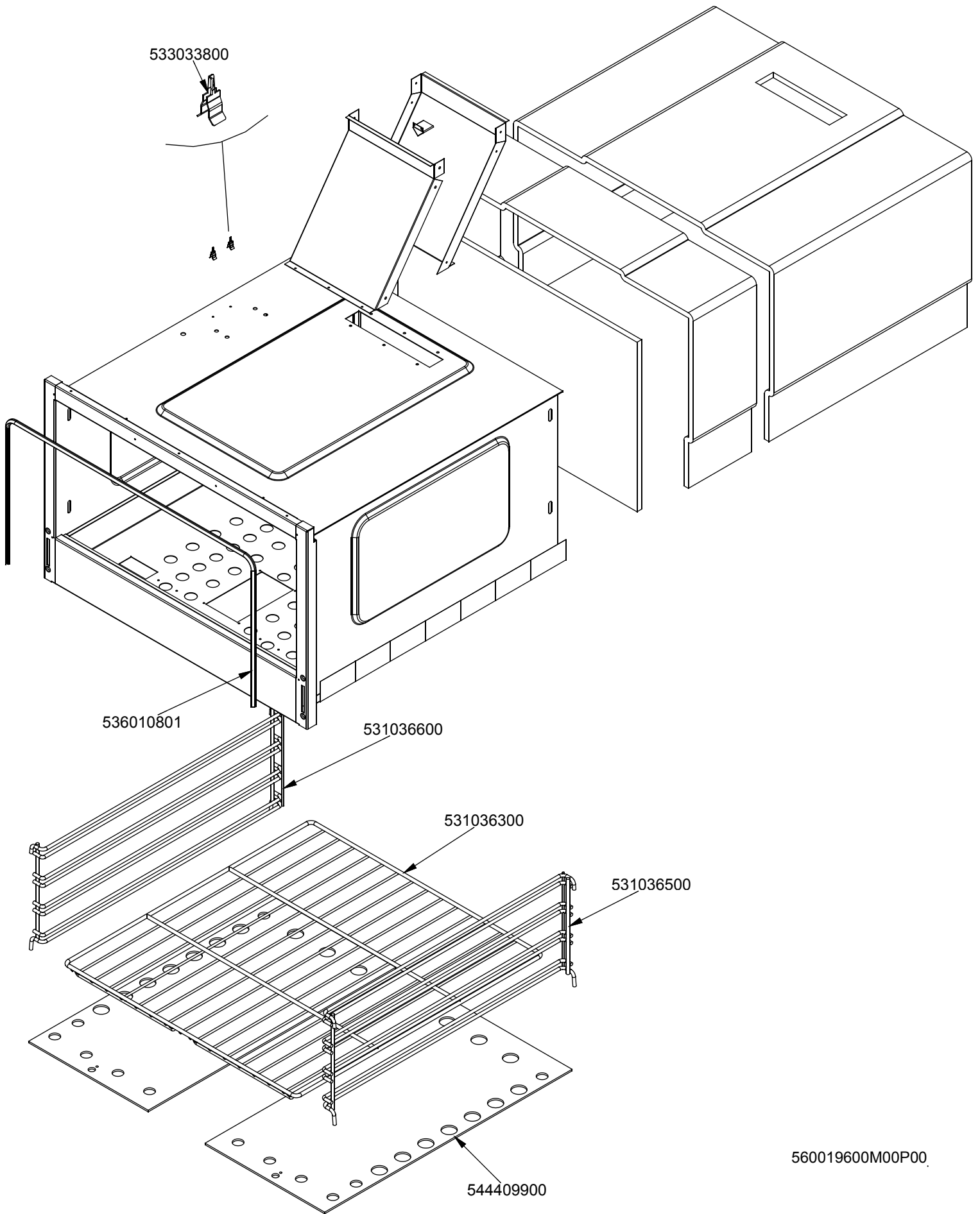
GN2/1

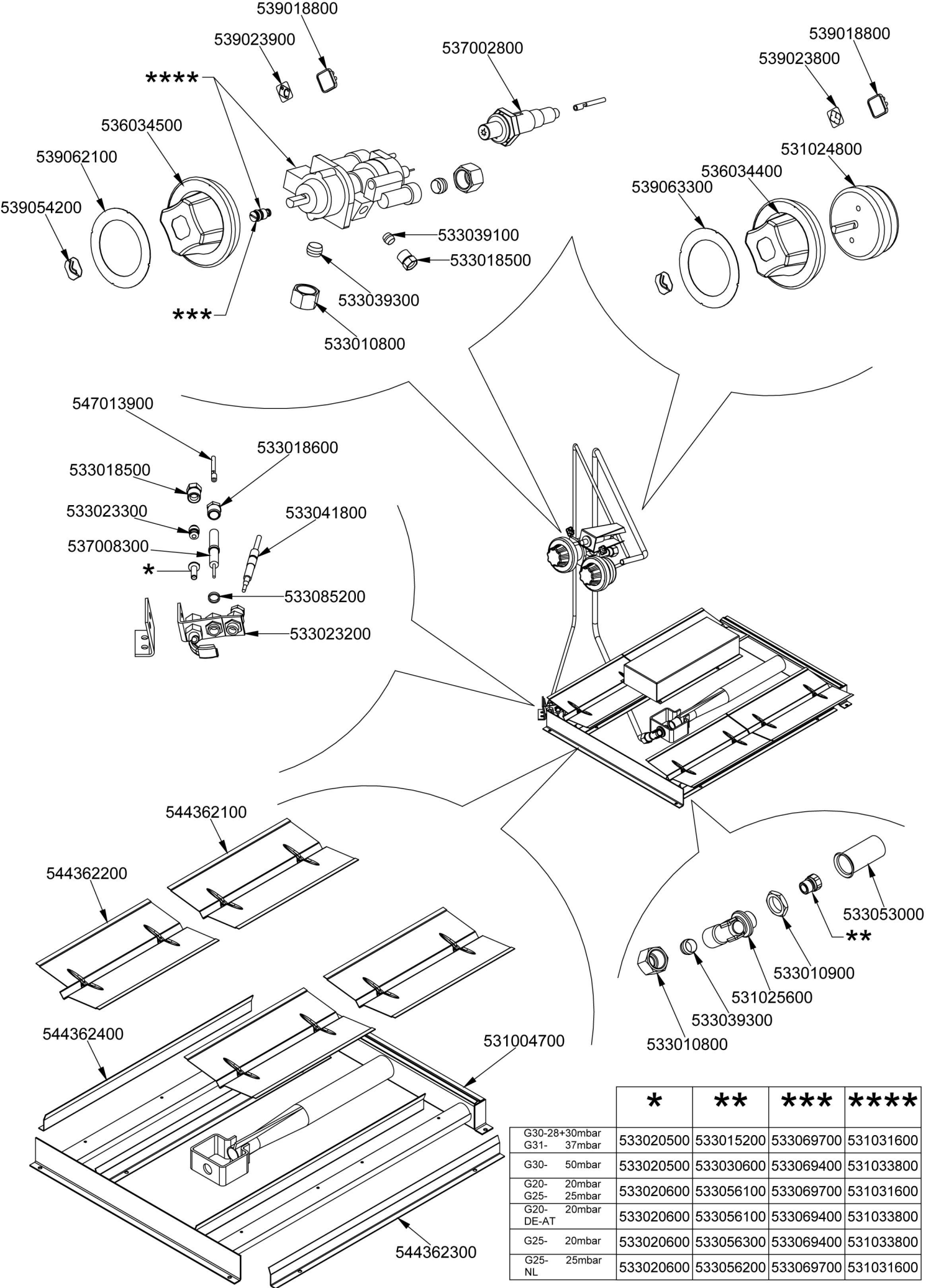


GN3/1

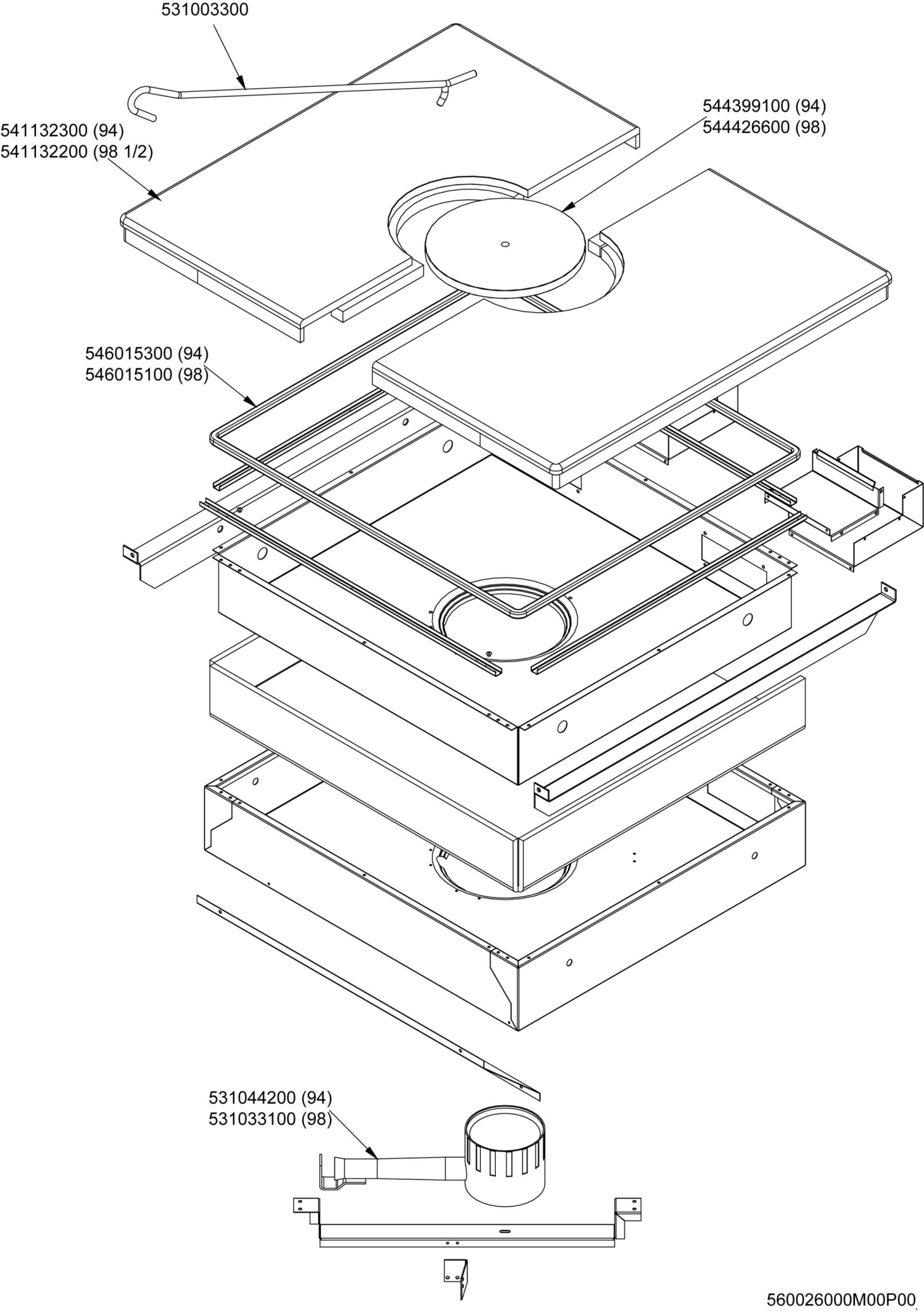


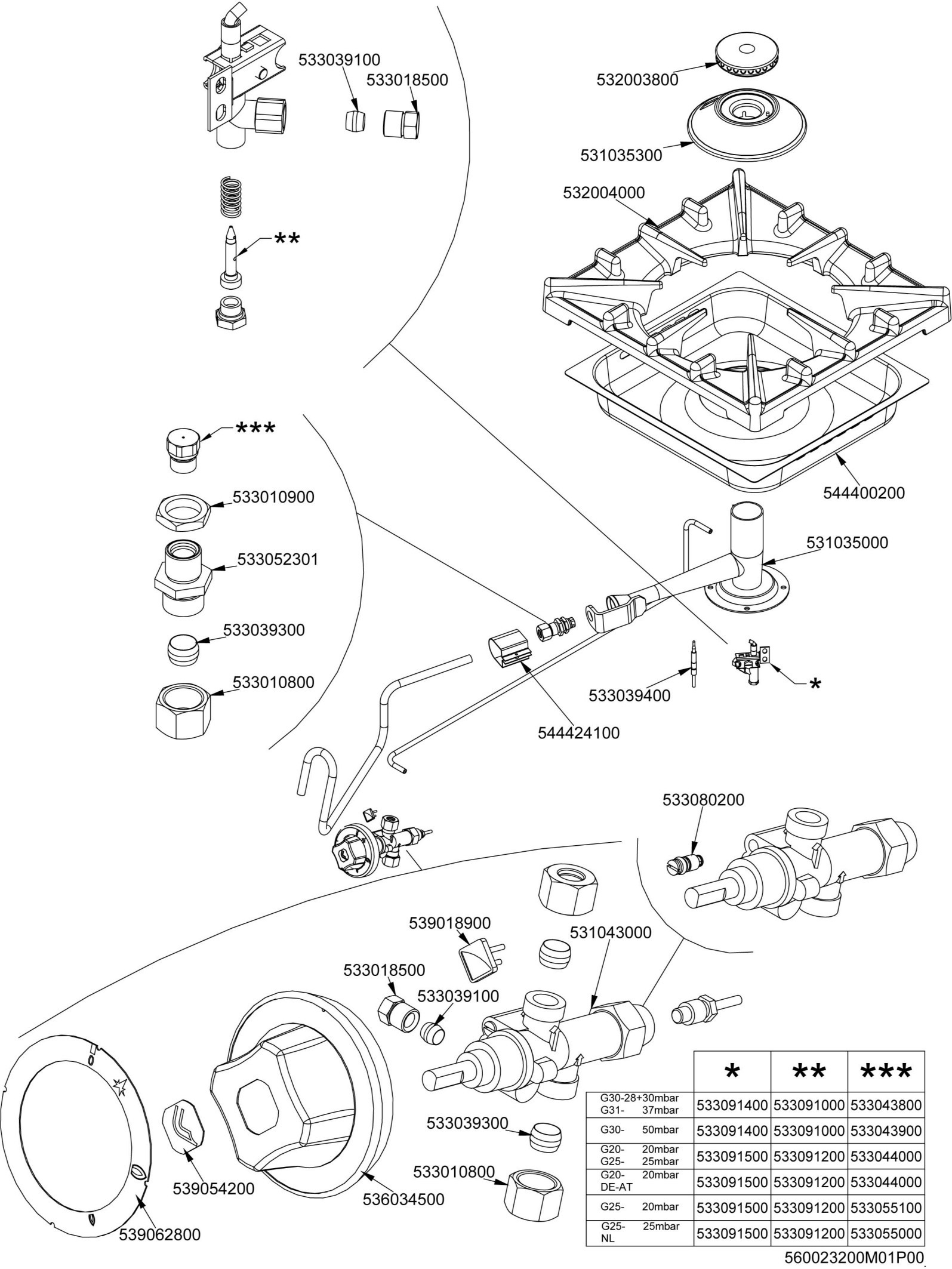
560099800M00P00



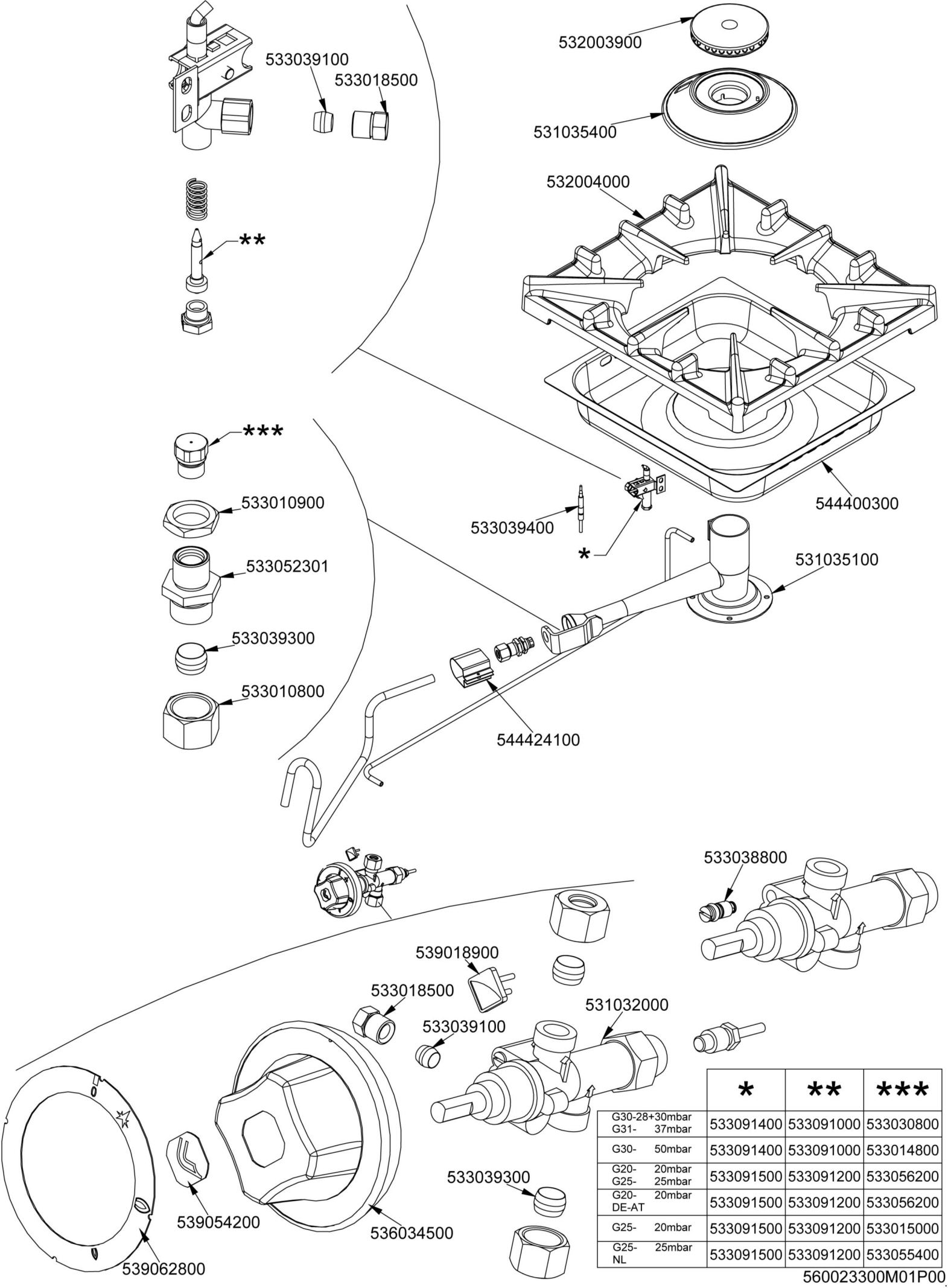


|               | *         | **        | ***       | ****      |
|---------------|-----------|-----------|-----------|-----------|
| G30-28+30mbar | 533020500 | 533015200 | 533069700 | 531031600 |
| G31- 37mbar   | 533020500 | 533030600 | 533069400 | 531033800 |
| G30- 50mbar   | 533020600 | 533056100 | 533069700 | 531031600 |
| G20- 20mbar   | 533020600 | 533056100 | 533069400 | 531033800 |
| G25- 25mbar   | 533020600 | 533056300 | 533069400 | 531033800 |
| G20- 20mbar   | 533020600 | 533056200 | 533069700 | 531031600 |
| DE-AT         |           |           |           |           |
| G25- 20mbar   |           |           |           |           |
| G25- 25mbar   |           |           |           |           |
| NL            |           |           |           |           |



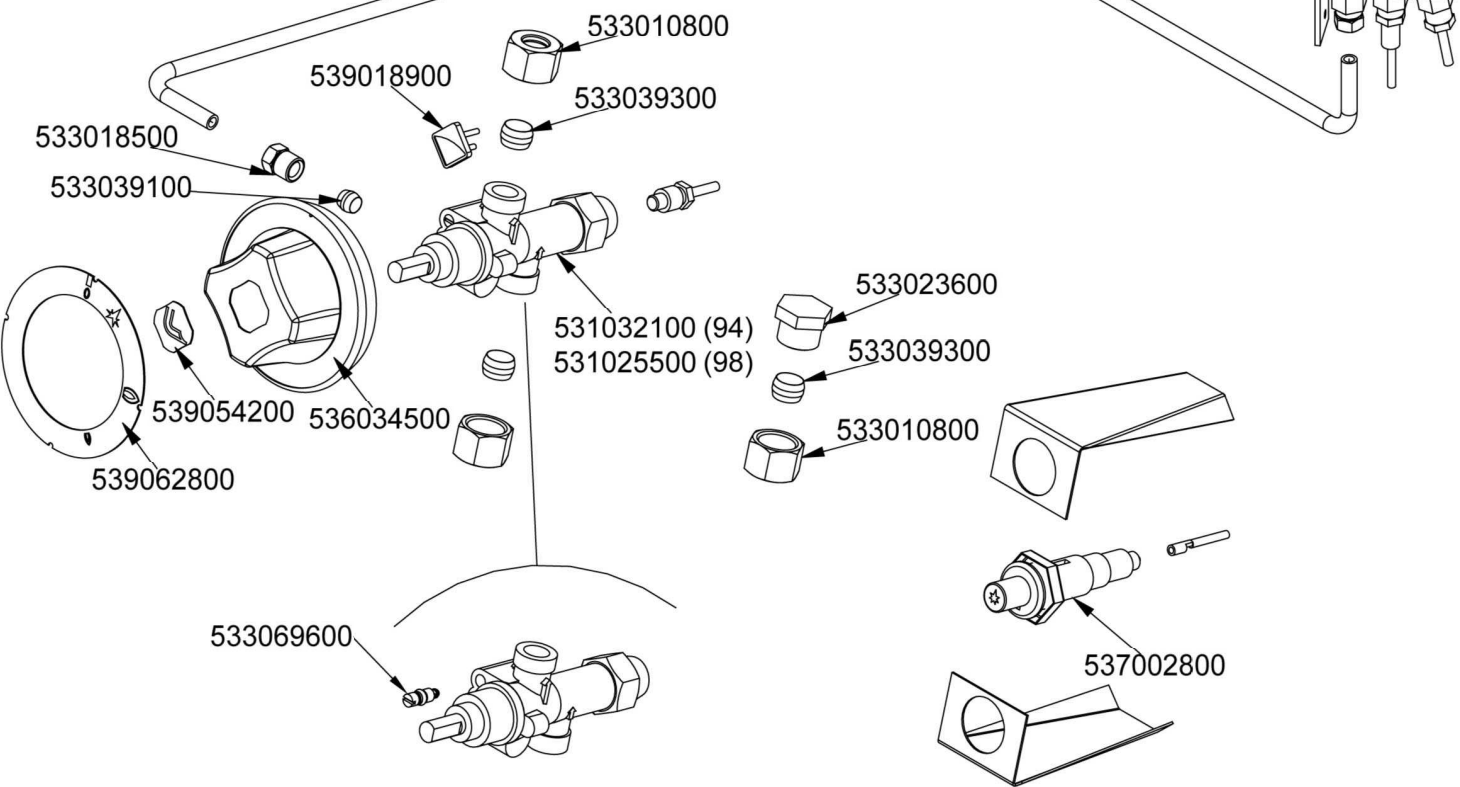
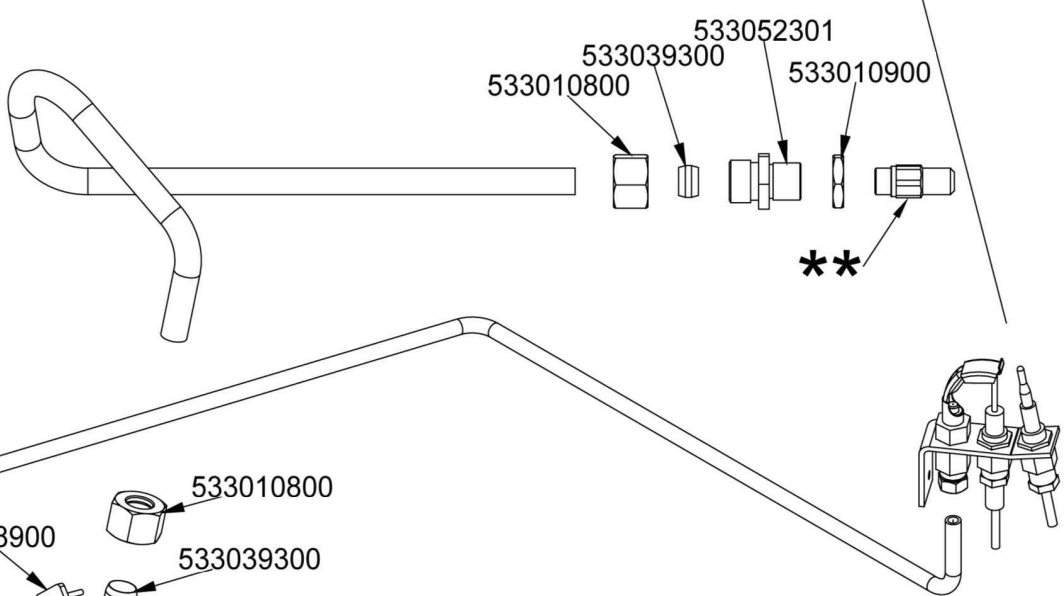
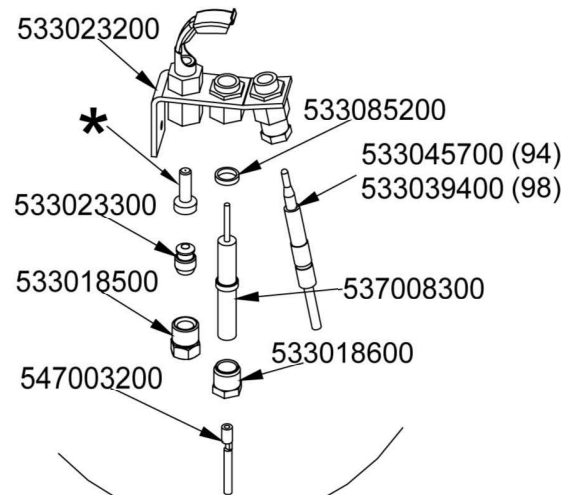


|                      | *         | **        | ***       |
|----------------------|-----------|-----------|-----------|
| G30-28+30mbar        | 533091400 | 533091000 | 533043800 |
| G31- 37mbar          | 533091400 | 533091000 | 533043900 |
| G30- 50mbar          | 533091500 | 533091200 | 533044000 |
| G20- 20mbar          | 533091500 | 533091200 | 533044000 |
| G25- 25mbar          | 533091500 | 533091200 | 533055100 |
| G20- 20mbar<br>DE-AT | 533091500 | 533091200 | 533055000 |
| G25- 20mbar          | 533091500 | 533091200 | 533055000 |
| G25- 25mbar<br>NL    | 533091500 | 533091200 | 533055000 |

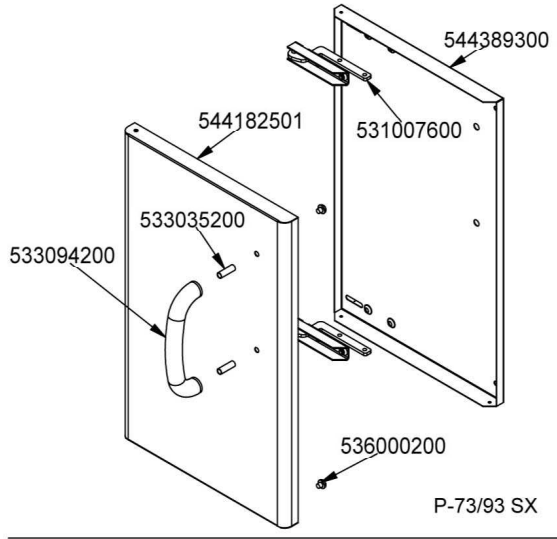


|                              | *         | **        | ***       |
|------------------------------|-----------|-----------|-----------|
| G30-28+30mbar<br>G31- 37mbar | 533091400 | 533091000 | 533030800 |
| G30- 50mbar                  | 533091400 | 533091000 | 533014800 |
| G20- 20mbar<br>G25- 25mbar   | 533091500 | 533091200 | 533056200 |
| G20- 20mbar<br>DE-AT         | 533091500 | 533091200 | 533056200 |
| G25- 20mbar                  | 533091500 | 533091200 | 533015000 |
| G25- 25mbar<br>NL            | 533091500 | 533091200 | 533055400 |

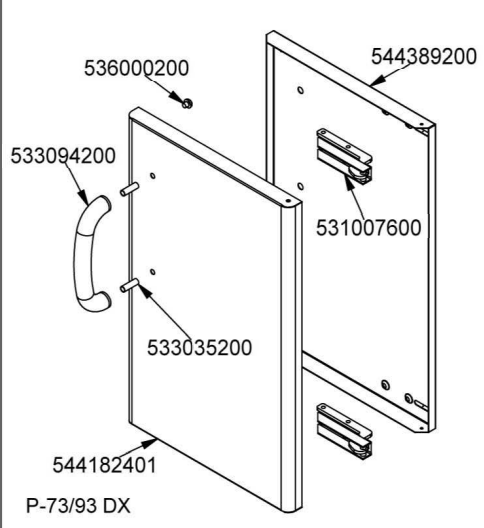
|                              | *         | **        | **        |
|------------------------------|-----------|-----------|-----------|
|                              |           | TP-94     | TP-98     |
| G30-28+30mbar<br>G31- 37mbar | 533020500 | 533057700 | 533019600 |
| G30- 50mbar                  | 533020500 | 533057600 | 533046200 |
| G20- 20mbar<br>G25- 25mbar   | 533020600 | 533047400 | 533057500 |
| G20-<br>DE-AT                | 533020600 | 533047400 | 533057500 |
| G25- 20mbar                  | 533020600 | 533047300 | 533032801 |
| G25-<br>NL                   | 533020600 | 533047500 | 533032001 |
| G20- 25mbar                  | 533020600 | 533046400 |           |



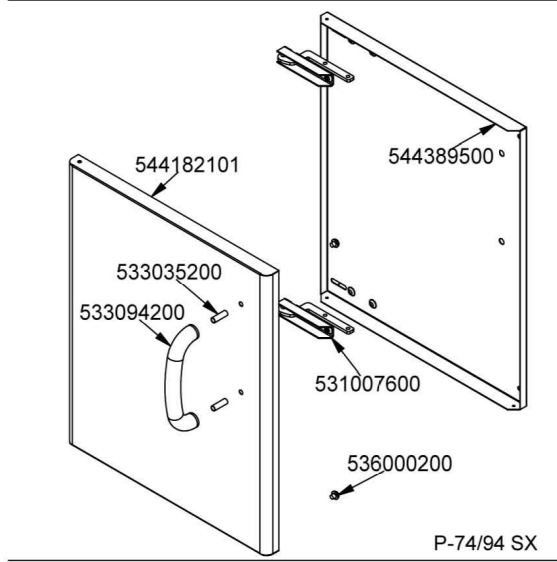




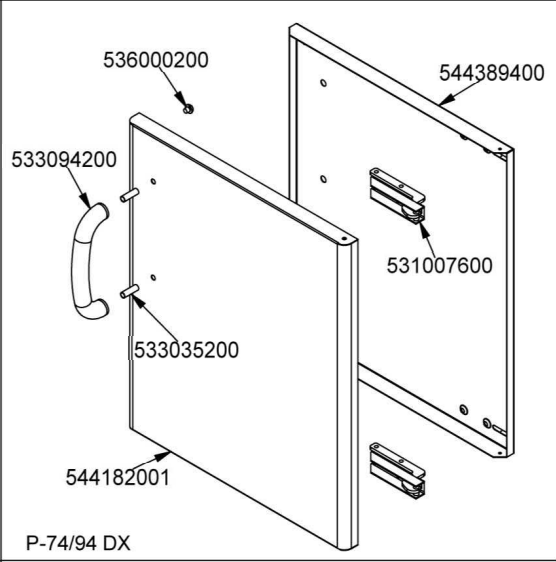
P-73/93 SX



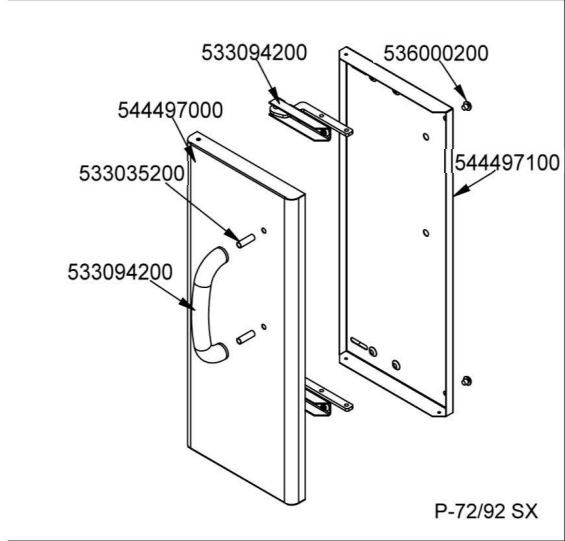
P-73/93 DX



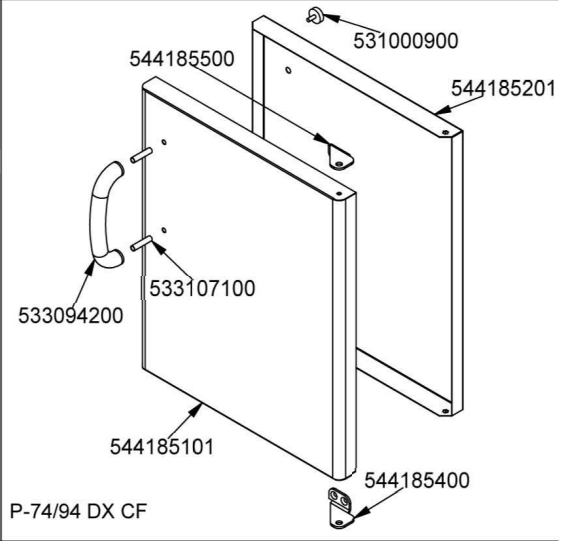
P-74/94 SX



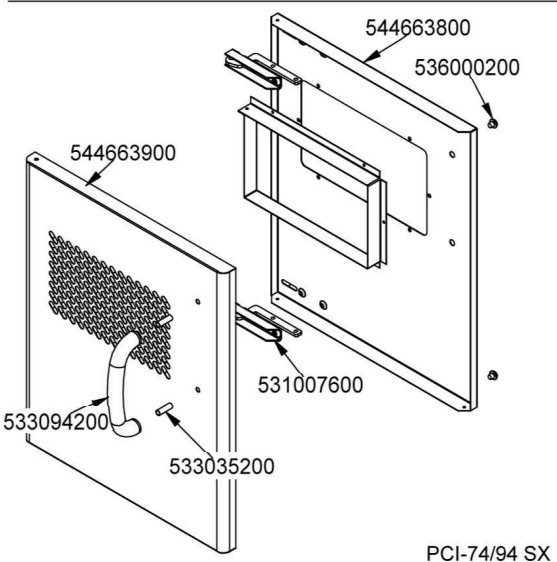
P-74/94 DX



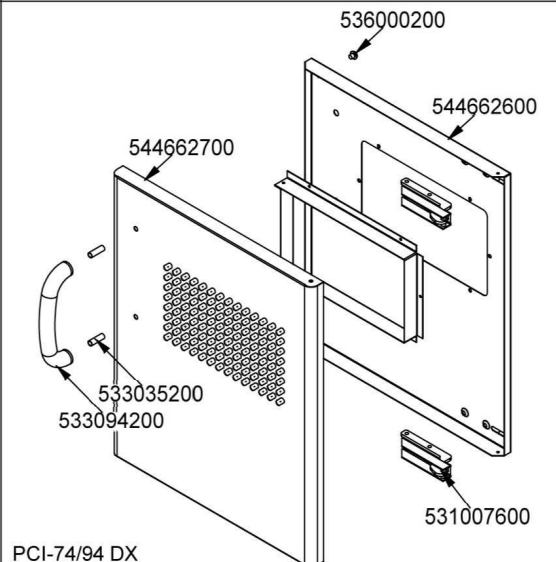
P-72/92 SX



P-74/94 DX CF



PCI-74/94 SX



PCI-74/94 DX

| Page | Pos | Code      | Description                         |
|------|-----|-----------|-------------------------------------|
| 001  |     | 532004100 | FLUE GRID L=370 90LINE (RAF         |
| 001  |     | 541118000 | UPPER PLATE TP2-912G(TPF2-912G/GV   |
| 001  |     | 544407200 | RIGHT SIDE PANEL RANGE 70 LINE      |
| 001  |     | 541120300 | CONTROL PANEL TPF2-912G             |
| 001  |     | 544407100 | RIGHT SIDE PANEL RANGE 90 LINE      |
| 001  |     | 536005200 | INOX LEG 2" 120-180 M10             |
| 002  |     | 544187100 | OVEN INNER DOOR GN 2/1 70/90LINE    |
| 002  |     | 531022800 | LEFT OVEN DOOR HINGE S.70           |
| 002  |     | 531013100 | OVEN DOOR HANDLE OF 70/90-LINE      |
| 002  |     | 544186900 | OVEN DOOR GN 2/1 70/90LINES         |
| 002  |     | 531022700 | RIGHT OVEN DOOR HINGE 70LINE        |
| 002  |     | 531022900 | HINGE DOOR WHEEL HOLDER S.70        |
| 002  |     | 541102300 | GAS OVEN INNER DOOR GN 3/1 S.70     |
| 002  |     | 544187000 | OVEN DOOR GN 3/1 S.70               |
| 003  |     | 533033800 | LOCK SPRING FOR BULB §6             |
| 003  |     | 536010801 | OVEN GASKET GN 2/1 (1308            |
| 003  |     | 531036600 | LHD RACK HOLDER FOR OVEN S.90       |
| 003  |     | 531036300 | OVEN RACK GN 2/1 FOR 90 LINE        |
| 003  |     | 531036500 | RHD RACK HOLDER FOR OVEN S.90       |
| 003  |     | 544409900 | 90 GAS OVEN BOTTOM GN2/1            |
| 004  |     | 539018800 | BLANK INDEX FOR KNOB                |
| 004  |     | 539023900 | SIGN PLATE FOR OVEN TEMPERATURE     |
| 004  |     | 536034500 | KNOB §77 4P. §08*6,5                |
| 004  |     | 539062100 | ADESIVE DISK FOR GAS OVEN S70       |
| 004  |     | 539054200 | STAMP O20,5 CR."L" LOTUS R.         |
| 004  |     | 533010800 | TUBE NUT D.10 M16*1,5               |
| 004  |     | 533039300 | BICONE §10                          |
| 004  |     | 533018500 | FITTING FOR BICONE D.6 M10*1        |
| 004  |     | 533039100 | BICONE §6                           |
| 004  |     | 537002800 | PIEZOELECTRIC IGNITION M18 WITH NUT |
| 004  |     | 539063300 | ADESIVE DISK FOR TYMER GREY         |
| 004  |     | 536034400 | KNOB §77 4P. §06*4,6 C/M            |
| 004  |     | 531024800 | TIMER 120'- 360°                    |
| 004  |     | 539023800 | LABEL FOR OVEN TIMER                |
| 004  |     | 547013900 | HIGH-VOLTAGE CABLE TUB.§2 L=1400    |
| 004  |     | 533018600 | PLUG FITTING                        |
| 004  |     | 533023300 | BICONE §6 ("TARGET" PILOT           |
| 004  |     | 533041800 | THERMOCOUPLE 1500 M9*1              |
| 004  |     | 537008300 | ROUND PLUG §2,4- LONG ELECTRODE     |
| 004  |     | 533085200 | SPACER FOR PILOT PLUG               |
| 004  |     | 533023200 | TARGET PILOT + NIPPLE TC BRAC.90°   |
| 004  |     | 544362100 | UPPER BURNER DEFLECTOR FOR OVEN 70  |
| 004  |     | 544362200 | UPPER PILOT DEFLECTOR FOR OVEN 70   |
| 004  |     | 544362400 | SIDE PILOT DEFLECTOR FOR OVEN 70    |
| 004  |     | 544362300 | SIDE BURNER DEFLECTOR FOR OVEN 70   |
| 004  |     | 531004700 | BURNER FOR OVEN GN 2/1 S.70         |
| 004  |     | 531025600 | ELBOW 90° NOZZLE-HOLDER §10 PIPE    |
| 004  |     | 533010900 | NUT M14*1 H.4                       |
| 004  |     | 533053000 | AIR ADJUSTMENT BUSHING §18          |
| 004  |     | 533020500 | NOZZLE 0.140 §19                    |
| 004  |     | 533020600 | NOZZLE 0.140 §27                    |

| Page | Pos | Code      | Description                         |
|------|-----|-----------|-------------------------------------|
| 004  |     | 533015200 | NOZZLE §145 CH12*14 F-FP/CP6        |
| 004  |     | 533030600 | NOZZLE §125 CH12*14                 |
| 004  |     | 533056100 | NOZZLE §220 CH12*14                 |
| 004  |     | 533056300 | NOZZLE §240 CH12*14                 |
| 004  |     | 533056200 | NOZZLE §230 CH12*14                 |
| 004  |     | 533069700 | BY PASS COCK §075 25ST              |
| 004  |     | 533069400 | BY PASS COCK §065 25ST              |
| 004  |     | 531031600 | HORIZON.THERMOSTATIC TAP BY-PASS 75 |
| 004  |     | 531033800 | HORIZON.THERMOSTATIC TAP BYPASS §65 |
| 005  |     | 531003300 | TP-PLATE LIFTING HOOK               |
| 005  |     | 541132300 | PLATE TP-94G                        |
| 005  |     | 541132200 | PLATE TP-98G (1/2                   |
| 005  |     | 544399100 | PLATE RING FOR TP-74G TP-94G        |
| 005  |     | 544426600 | PLATE RING FOR TP-98G               |
| 005  |     | 546015300 | SQUARE BRAID 12*12*L=1821           |
| 005  |     | 546015100 | SQUARE BRAID OF INSULATING MATERIAL |
| 005  |     | 531044200 | CIRCULAR BURNER TP D.066            |
| 005  |     | 531033100 | BURNER TP..-78G                     |
| 006  |     | 533039100 | BICONE §6                           |
| 006  |     | 533018500 | FITTING FOR BICONE D.6 M10*1        |
| 006  |     | 532003800 | BURNER COVER RING §082              |
| 006  |     | 531035300 | MEDIUM BURNER BODY 90 LINE          |
| 006  |     | 532004000 | 1 FLAME GRILL 396X366 (90           |
| 006  |     | 544400200 | BURNER DRIP PAN 2/3                 |
| 006  |     | 533010900 | NUT M14*1 H.4                       |
| 006  |     | 531035000 | MEDIUM BURNER VENTURI 90 LINE       |
| 006  |     | 533052301 | JOINT FOR NOZZLE HOLDER             |
| 006  |     | 533039300 | BICONE §10                          |
| 006  |     | 533010800 | TUBE NUT D.10 M16*1,5               |
| 006  |     | 533039400 | THERMOCOUPLE M9*1*850               |
| 006  |     | 544424100 | AIR ADJUSTMENT BUSHING*BURNER PC90  |
| 006  |     | 533080200 | BY PASS COCK §65 20S-21S            |
| 006  |     | 539018900 | INDEX FOR KNOB W/RED SIGN           |
| 006  |     | 531043000 | GAS COCK 21S P.V. BY-PASS §065      |
| 006  |     | 539054200 | STAMP Ø20,5 CR."L" LOTUS R.         |
| 006  |     | 536034500 | KNOB §77 4P. §08*6,5                |
| 006  |     | 539062800 | RED STICKING DISK 72                |
| 006  |     | 533091400 | P.NOZZLE S100 UG.§20 PC90 LPG-FLUS  |
| 006  |     | 533091500 | PILOT NOZZLE S.100 §30 PC90 NAT.GAS |
| 006  |     | 533091000 | NOZZLE 0.100 §20                    |
| 006  |     | 533091200 | PILOT NOZZLE 0100 Ø35 PIL.PC        |
| 006  |     | 533043800 | NOZZLE §130 CH12*14 G-CW4           |
| 006  |     | 533043900 | NOZZLE §115 CH12*14 F-CW4           |
| 006  |     | 533044000 | NOZZLE §195 CH12*14 M-CW4           |
| 006  |     | 533055100 | NOZZLE §215 CH12*14 L-CW4           |
| 006  |     | 533055000 | NOZZLE §205 CH12*14 G25 CW4         |
| 007  |     | 533039100 | BICONE §6                           |
| 007  |     | 533018500 | FITTING FOR BICONE D.6 M10*1        |
| 007  |     | 532003900 | BURNER COVER RING §100              |
| 007  |     | 531035400 | BIG BURNER BODY 90 LINE             |
| 007  |     | 532004000 | 1 FLAME GRILL 396X366 (90           |

| Page | Pos | Code      | Description                         |
|------|-----|-----------|-------------------------------------|
| 007  |     | 533010900 | NUT M14*1 H.4                       |
| 007  |     | 533039400 | THERMOCOUPLE M9*1*850               |
| 007  |     | 544400300 | BURNER DRIP PAN 2/3                 |
| 007  |     | 533052301 | JOINT FOR NOZZLE HOLDER             |
| 007  |     | 531035100 | BIG BURNER VENTURI 90 LINE          |
| 007  |     | 533039300 | BICONE §10                          |
| 007  |     | 533010800 | TUBE NUT D.10 M16*1,5               |
| 007  |     | 544424100 | AIR ADJUSTMENT BUSHING*BURNER PC90  |
| 007  |     | 533038800 | 75 BY-PASS FOR 21S TAP              |
| 007  |     | 531032000 | GAS COCK P.V.BY-PASS Ø075           |
| 007  |     | 539018900 | INDEX FOR KNOB W/RED SIGN           |
| 007  |     | 536034500 | KNOB §77 4P. §08*6,5                |
| 007  |     | 539054200 | STAMP Ø20,5 CR."L" LOTUS R.         |
| 007  |     | 539062800 | RED STICKING DISK 72                |
| 007  |     | 533091400 | P.NOZZLE S100 UG.§20 PC90 LPG-FLUS  |
| 007  |     | 533091500 | PILOT NOZZLE S.100 §30 PC90 NAT.GAS |
| 007  |     | 533091000 | NOZZLE 0.100 §20                    |
| 007  |     | 533091200 | PILOT NOZZLE 0100 Ø35 PIL.PC        |
| 007  |     | 533030800 | NOZZLE §155 CH12X14 M-CW            |
| 007  |     | 533014800 | NOZZLE §135 CH12*14,0               |
| 007  |     | 533056200 | NOZZLE §230 CH12*14                 |
| 007  |     | 533015000 | NOZZLE D.I 260 G110 (TOWN GAS       |
| 007  |     | 533055400 | NOZZLE §245 CH12*14                 |
| 008  |     | 533023200 | TARGET PILOT + NIPPLE TC BRAC.90°   |
| 008  |     | 533085200 | SPACER FOR PILOT PLUG               |
| 008  |     | 533045700 | THERMOCOUPLE M9*1 500               |
| 008  |     | 533039400 | THERMOCOUPLE M9*1*850               |
| 008  |     | 533023300 | BICONE §6 ("TARGET" PILOT           |
| 008  |     | 537008300 | ROUND PLUG §2,4- LONG ELECTRODE     |
| 008  |     | 533018500 | FITTING FOR BICONE D.6 M10*1        |
| 008  |     | 547003200 | HIGH-VOLTAGE CABLE TUBE.§2 L=500    |
| 008  |     | 533018600 | PLUG FITTING                        |
| 008  |     | 533010900 | NUT M14*1 H.4                       |
| 008  |     | 533052301 | JOINT FOR NOZZLE HOLDER             |
| 008  |     | 533039300 | BICONE §10                          |
| 008  |     | 533010800 | TUBE NUT D.10 M16*1,5               |
| 008  |     | 539018900 | INDEX FOR KNOB W/RED SIGN           |
| 008  |     | 533039100 | BICONE §6                           |
| 008  |     | 539062800 | RED STICKING DISK 72                |
| 008  |     | 539054200 | STAMP O20,5 CR."L" LOTUS R.         |
| 008  |     | 536034500 | KNOB §77 4P. §08*6,5                |
| 008  |     | 531032100 | GAS COCK 21S P.V.BY-PASS O100       |
| 008  |     | 531025500 | GAS COCK 21S P.V.BY-PASS O130       |
| 008  |     | 533023600 | TAP PLUG §10 M16*1, 5CH19           |
| 008  |     | 533069600 | BY PASS COCK §130 20S-21S           |
| 008  |     | 537002800 | PIEZOELECTRIC IGNITION M18 WITH NUT |
| 008  |     | 533020500 | NOZZLE 0.140 §19                    |
| 008  |     | 533020600 | NOZZLE 0.140 §27                    |
| 008  |     | 533057700 | NOZZLE §130A CH12*30 F-BRF74        |
| 008  |     | 533057600 | NOZZLE §115A CH12*30 G-BRF74        |
| 008  |     | 533047400 | NOZZLE §195 CH12*30 M-BM8           |

| Page | Pos | Code      | Description                         |
|------|-----|-----------|-------------------------------------|
| 008  |     | 533047300 | NOZZLE \$215 CH12*30 L-BM8          |
| 008  |     | 533047500 | NOZZLE \$205 CH12*30 ML-BM-8G       |
| 008  |     | 533046400 | NOZZLE \$185 CH12*30 G-CPM          |
| 008  |     | 533019600 | NOZZLE \$165 CH12*30 MH-FT5 H-FT6   |
| 008  |     | 533046200 | NOZZLE \$150 CH12X30 L-BR TP        |
| 008  |     | 533057500 | NOZZLE \$260 CH12X30                |
| 008  |     | 533032801 | NOZZLE \$280 CH12*30 M-CPM          |
| 008  |     | 533032001 | NOZZLE \$270 CH12*30 MH-CPM         |
| 009  |     | 544389300 | CONTROP.73 SX APP. LT               |
| 009  |     | 531007600 | DOOR HINGE                          |
| 009  |     | 544182501 | LEFT DOOR 73                        |
| 009  |     | 533094200 | S/S HANDLE FOR 70/90 SERIES         |
| 009  |     | 533035200 | HANDLE SPACER                       |
| 009  |     | 536000200 | D.12 H.4 BUMPER                     |
| 009  |     | 544389200 | CONTROP.73 DX APP. LT               |
| 009  |     | 544182401 | RIGHT DOOR 73                       |
| 009  |     | 544182101 | LEFT DOOR 74                        |
| 009  |     | 544389500 | INNER-DOOR OF LHD 74                |
| 009  |     | 544389400 | CONTROP.74 DX APP. LT               |
| 009  |     | 544182001 | RIGHT DOOR 74                       |
| 009  |     | 544497000 | PORTA 72 SX                         |
| 009  |     | 544497100 | CONTROP.72 SX APP. LT               |
| 009  |     | 544185101 | RIGHT DOOR 74 CF                    |
| 009  |     | 533107100 | HANDLE SPACER OF CF-70              |
| 009  |     | 544185500 | UPPER DOOR HINGE FOR COMPARTME CF70 |
| 009  |     | 531000900 | MAGNET \$22 KG.3 WITH DISK          |
| 009  |     | 544185201 | INNER DOOR * 74DX                   |
| 009  |     | 544185400 | LOWER DOOR HINGE FOR COMPARTME CF70 |
| 009  |     | 544663900 | LHD 74 DOOR FOR PCI                 |
| 009  |     | 544663800 | 74 LHD OVEN INNER DOOR FOUR PCI     |
| 009  |     | 544662700 | DOOR 74 DX PCI                      |
| 009  |     | 544662600 | CONTROP.74 DX APP. LT PCI           |